



US00D856035S

(12) **United States Design Patent** (10) **Patent No.:** **US D856,035 S**
Fu (45) **Date of Patent:** **** Aug. 13, 2019**

(54) **TV COVER**
(71) Applicant: **Zhiping Fu**, Zhejiang (CN)
(72) Inventor: **Zhiping Fu**, Zhejiang (CN)
(**) Term: **15 Years**
(21) Appl. No.: **29/618,365**
(22) Filed: **Sep. 20, 2017**
(51) **LOC (12) Cl.** **06-13**
(52) **U.S. Cl.**
USPC **D6/610**
(58) **Field of Classification Search**
USPC D6/601-603, 606, 608, 610-612, 617;
D7/392; D30/199; D14/448; D12/203,
D12/213
CPC A47C 27/001; A47C 27/002; A47C 31/10;
A47C 31/105; A47C 31/11; A47C 31/113;
A47C 31/116; A47C 4/28; A47C 7/02;
A47C 7/021; A47C 7/022; A47C 7/386;
A47C 7/42; A47C 7/68; B60N 2/60;
B60N 2/58; B60N 2/585; B60N 2/6009
See application file for complete search history.

(56) **References Cited**
U.S. PATENT DOCUMENTS
2,711,234 A * 6/1955 Rubens A45C 13/002
190/26
2,728,165 A * 12/1955 Runyon A47G 11/003
108/90
2,940,210 A * 6/1960 Aulds A47B 29/00
108/90
5,050,256 A * 9/1991 Woodcock A47C 27/006
428/304.4
5,111,544 A * 5/1992 Graebe A47C 7/021
5/485
D347,540 S * 6/1994 Brainard D6/596
5,479,664 A * 1/1996 Hollander A47G 9/0246
5/497
D377,433 S * 1/1997 Funk 5/499

5,600,911 A * 2/1997 Lucci A47G 11/004
108/25
D382,260 S * 8/1997 Smith D14/448
D387,939 S * 12/1997 Tedesco A47G 9/0246
D6/610
D394,366 S * 5/1998 Graebe 5/653
D401,576 S * 11/1998 Watkins D14/450
D411,918 S * 7/1999 Neuman D3/276
D468,951 S * 1/2003 Harris D6/596
6,631,529 B1 * 10/2003 Erickson A47G 9/0246
5/484
D481,887 S * 11/2003 Ellwanger D6/610
D502,360 S * 3/2005 Kautz D6/610
D504,256 S * 4/2005 Ritossa D6/610
6,948,614 B1 * 9/2005 Hall A45C 11/329
150/154
D546,613 S * 7/2007 OConnor D6/597
D560,948 S * 2/2008 Bertrand D6/603
D577,532 S * 9/2008 Deeble A47G 11/003
D6/610

(Continued)

Primary Examiner — Kevin K Rudzinski
Assistant Examiner — Clare Ann Gannon

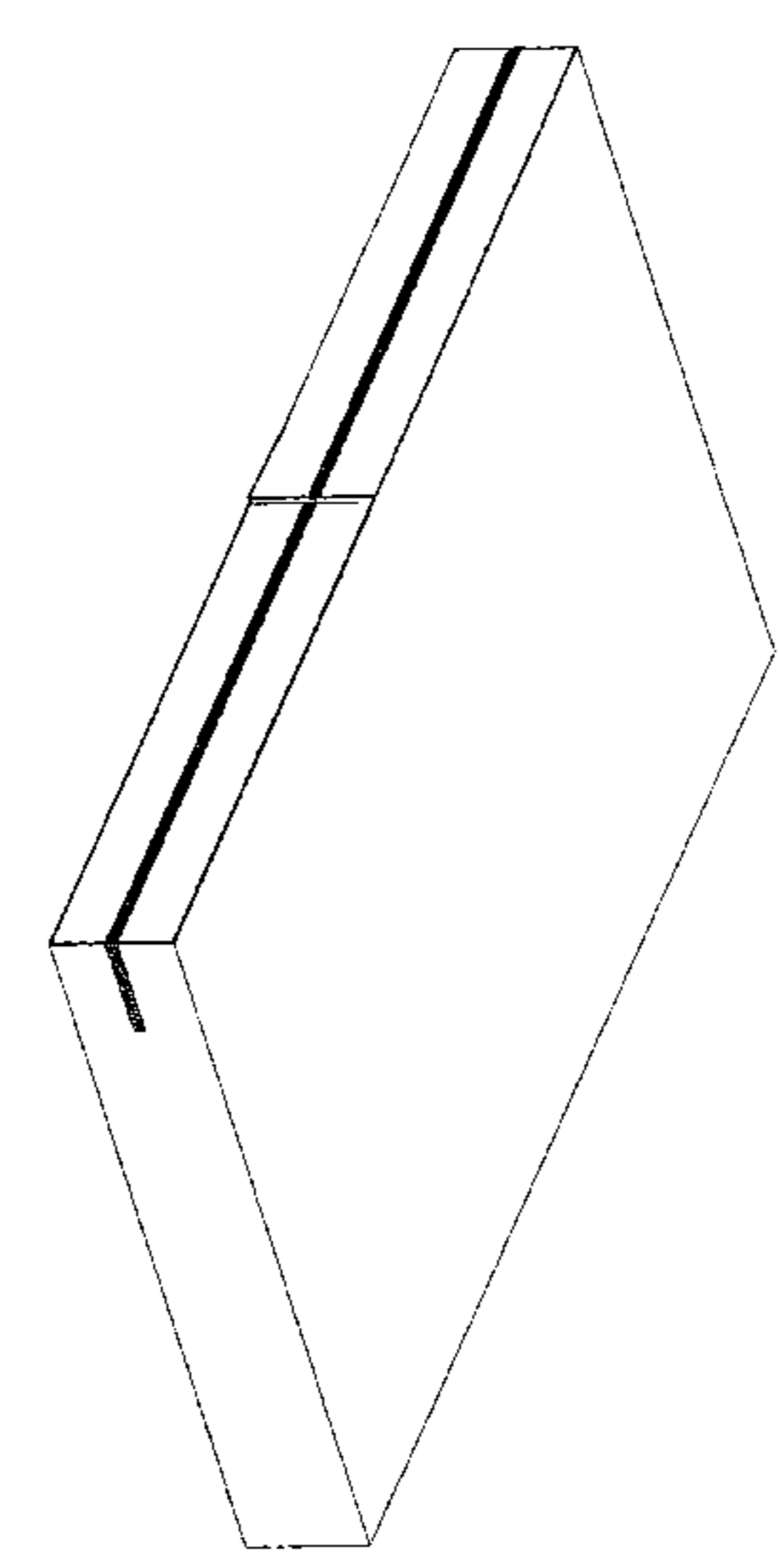
(57) **CLAIM**

The ornamental design for a TV cover, as shown and described.

DESCRIPTION

FIG. 1 is a perspective view of a TV cover showing my new design;
FIG. 2 is a front elevational view thereof;
FIG. 3 is a rear elevational view thereof;
FIG. 4 is a right side view thereof;
FIG. 5 is a left side view thereof;
FIG. 6 is a bottom plan view thereof; and,
FIG. 7 is a top plan view thereof.
In the drawing views, the broken lines represent portions of the TV cover that form no part of the claimed design.

1 Claim, 7 Drawing Sheets



(56)

References Cited

U.S. PATENT DOCUMENTS

7,552,489	B2 *	6/2009	Bell	A47C 31/007 24/389
D601,844	S *	10/2009	Miller	D6/611
D613,543	S *	4/2010	Tinker, Sr.	D6/601
D615,795	S *	5/2010	Timmany	D6/606
D641,195	S *	7/2011	Delong	D6/610
D660,070	S *	5/2012	Lugo	D6/611
D696,541	S *	12/2013	Puksta	D6/706
D773,209	S *	12/2016	Jaigobin	D6/596
D781,078	S *	3/2017	Goenka	D6/602
D783,314	S *	4/2017	Christmas	D6/605
D791,511	S *	7/2017	Walker	D6/603
D806,086	S *	12/2017	Garside	D14/448
D817,033	S *	5/2018	Christmas	D6/605
2014/0028063	A1 *	1/2014	Firestone	A47C 7/386 297/188.01
2015/0053317	A1 *	2/2015	Fan	A47C 31/105 150/158
2015/0143635	A1 *	5/2015	Clark	A47G 9/08 5/636

* cited by examiner

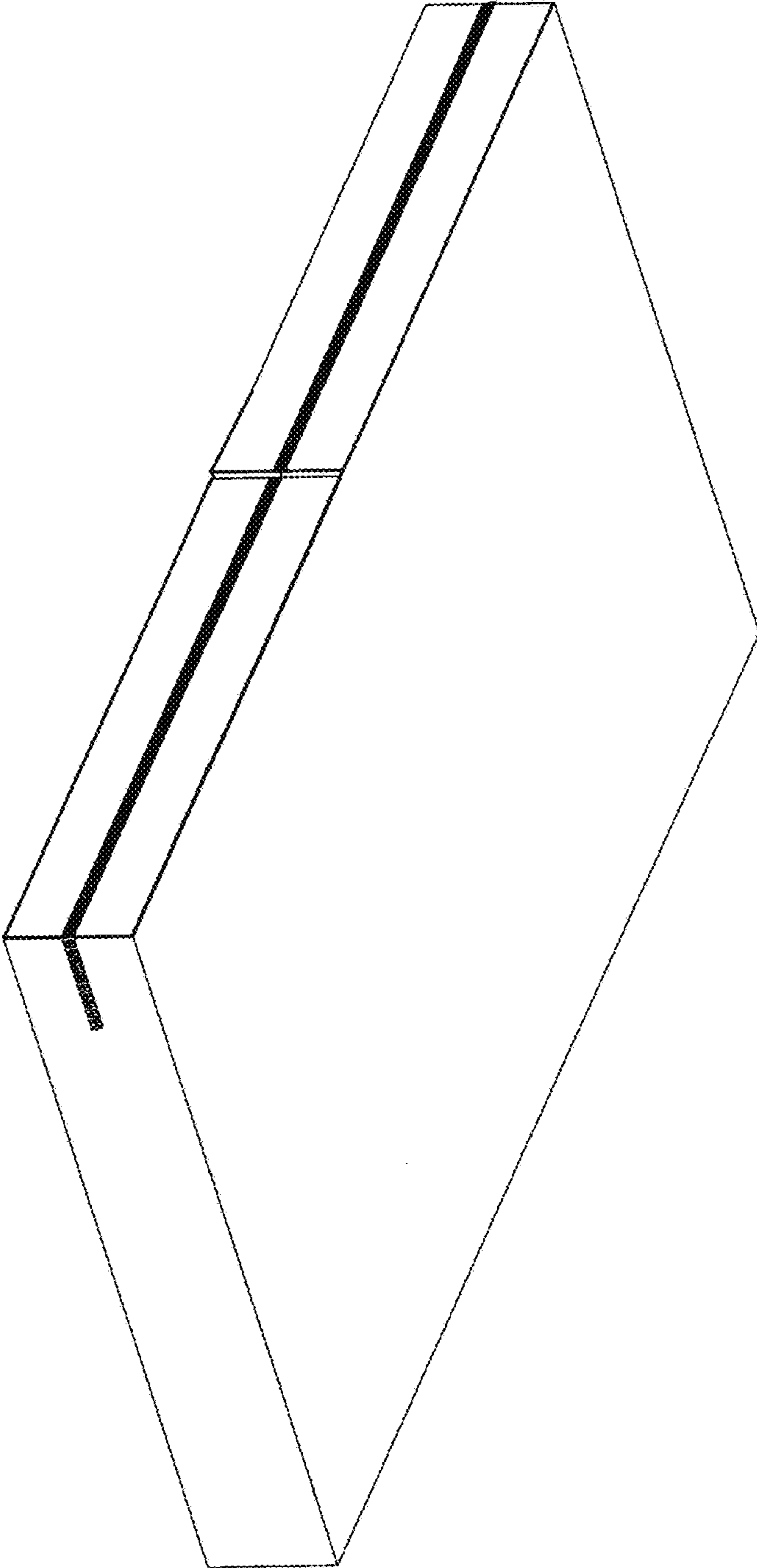


FIG.1

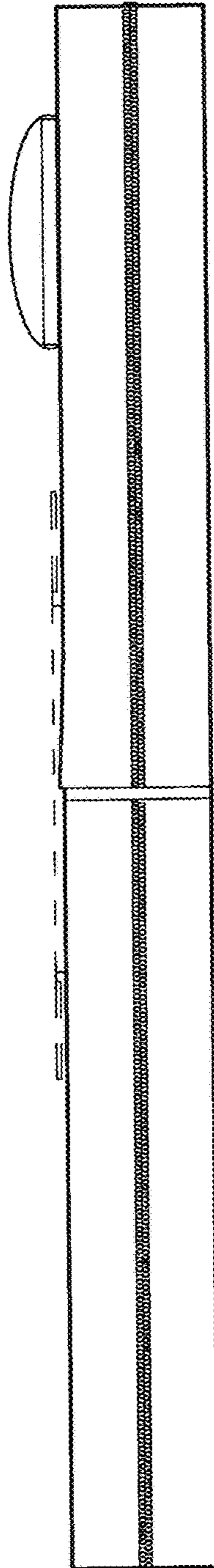


FIG.2

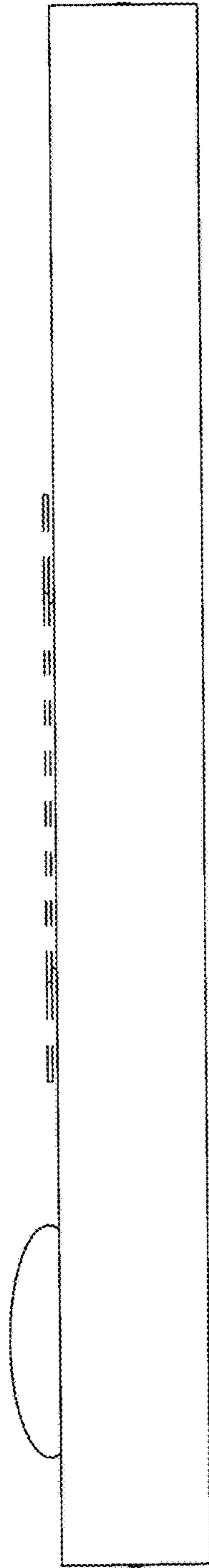


FIG.3

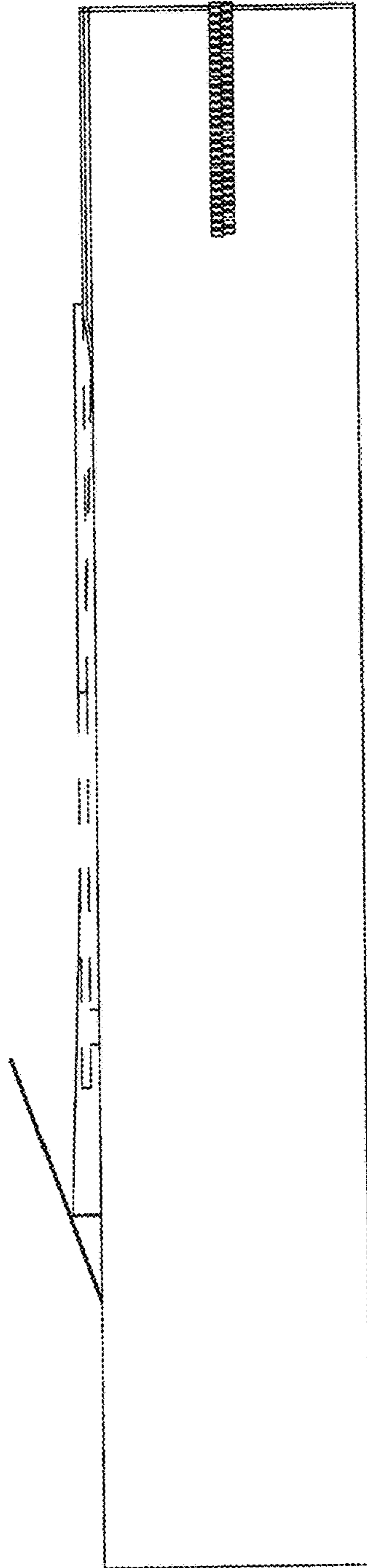


FIG.4

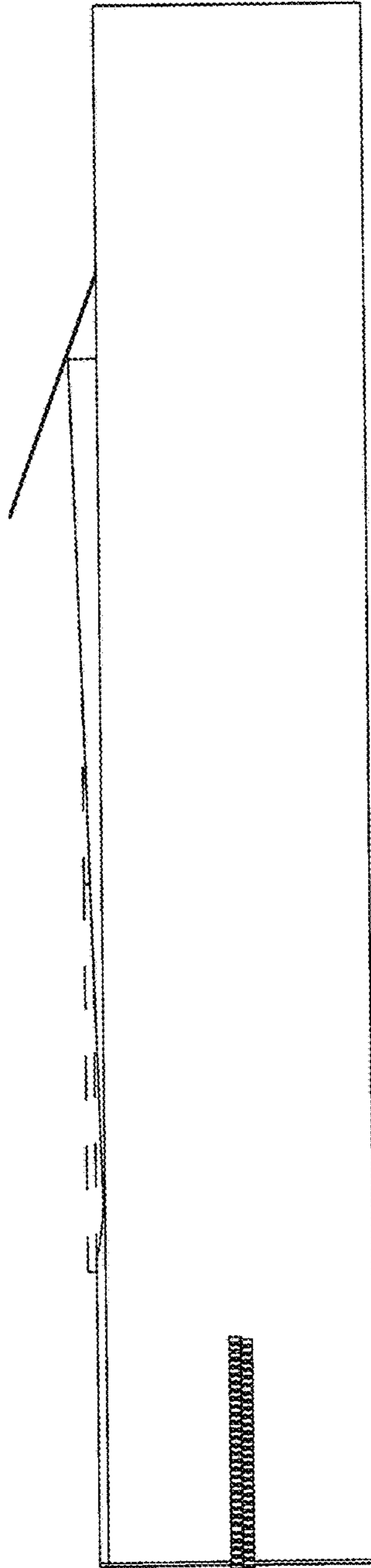


FIG.5

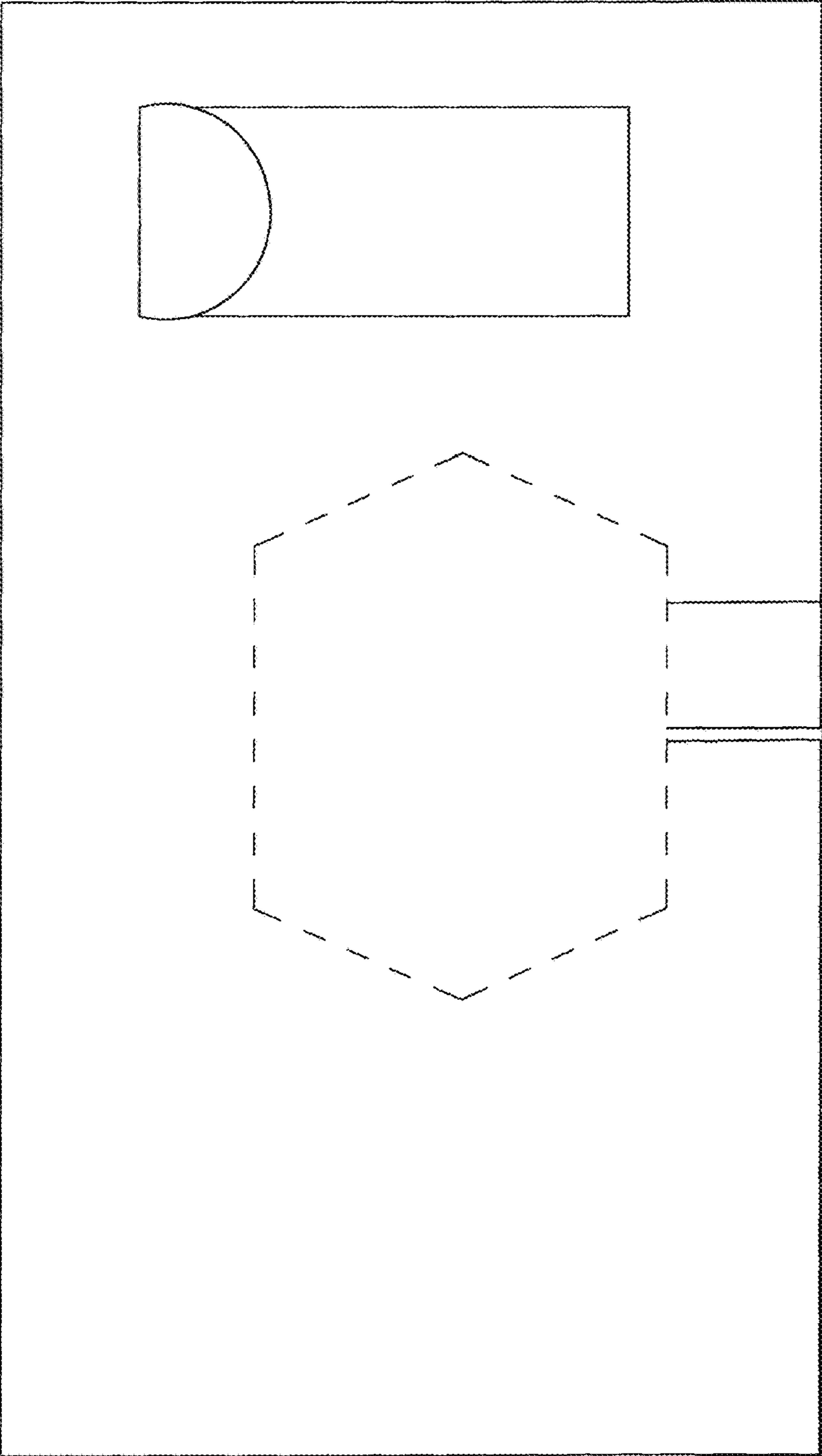


FIG.6

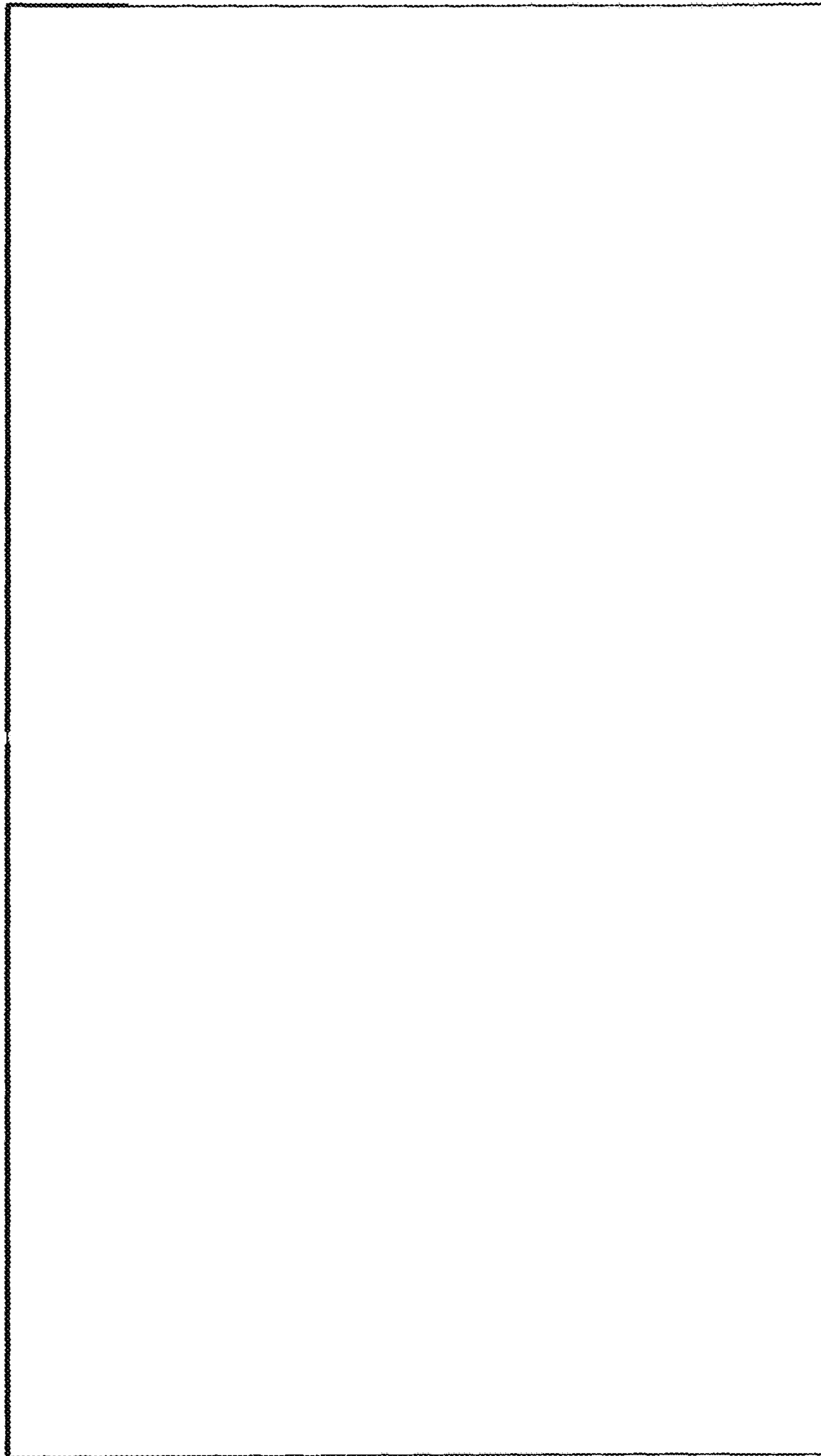


FIG.7