



US00D856028S

(12) **United States Design Patent** (10) **Patent No.:** **US D856,028 S**
Zou (45) **Date of Patent:** **** Aug. 13, 2019**

(54) **PILLOW**

(71) Applicant: **Xia Zou**, Guangdong (CN)

(72) Inventor: **Xia Zou**, Guangdong (CN)

(**) Term: **15 Years**

(21) Appl. No.: **29/607,629**

(22) Filed: **Jun. 15, 2017**

(30) **Foreign Application Priority Data**

May 26, 2017 (CN) 2017 3 0206116

(51) **LOC (12) Cl.** **06-09**

(52) **U.S. Cl.**
USPC **D6/601**

(58) **Field of Classification Search**
USPC D6/382, 388, 512, 595, 596, 601, 603,
D6/604, 621, 707; D24/191, 183-184;
5/401, 420, 630, 632, 636, 637, 638, 639,
5/646, 652, 652.1, 655, 655.3
CPC A47G 9/10; A47G 9/1009; A47G 9/1027;
A47G 9/1045; A47G 9/1063; A47G
9/1072; A47G 9/1081; A47G 2009/1018;
A47G 9/1036; A47G 9/1054; A47G 9/109
See application file for complete search history.

(56) **References Cited**

U.S. PATENT DOCUMENTS

D238,235 S * 12/1975 Elgebrandt 5/653
D241,700 S * 10/1976 Wattie D6/601
D248,141 S * 6/1978 Forsland D6/601
D267,299 S * 12/1982 Lund, III D6/601
D284,248 S * 6/1986 Challen D6/596
D285,512 S * 9/1986 Bool D6/596
D292,767 S * 11/1987 Challen D6/596
D308,311 S * 6/1990 Forsland D6/601
D309,070 S * 7/1990 Burns, Sr. D6/601
D309,689 S * 8/1990 Bool D6/601
D311,109 S * 10/1990 Geschwender D6/601

D314,685 S * 2/1991 Hudson D6/601
D316,354 S * 4/1991 Bool D6/601
5,018,231 A * 5/1991 Wang A47G 9/10
5/636
D423,860 S * 5/2000 Schlechter D6/601
D448,227 S * 9/2001 Straub A47D 13/08
D6/333
D465,686 S * 11/2002 Hwong D6/601
D497,507 S * 10/2004 Keilhauer D6/601
D529,325 S * 10/2006 Maarbjerg D6/601

(Continued)

FOREIGN PATENT DOCUMENTS

WO WO-2005027697 A1 * 3/2005 A47G 9/10

OTHER PUBLICATIONS

Marnur Pillow Bed pillow, early review Oct. 2018, [online], [site visited Feb. 9, 2019]. Available from Internet, <URL: https://www.amazon.com/dp/B07DMC7THH/ref=sspa_dk_detail_1?psc=1#customerReviews> (Year: 2018).*

(Continued)

Primary Examiner — Michelle E. Wilson

Assistant Examiner — Sanjeev Paul

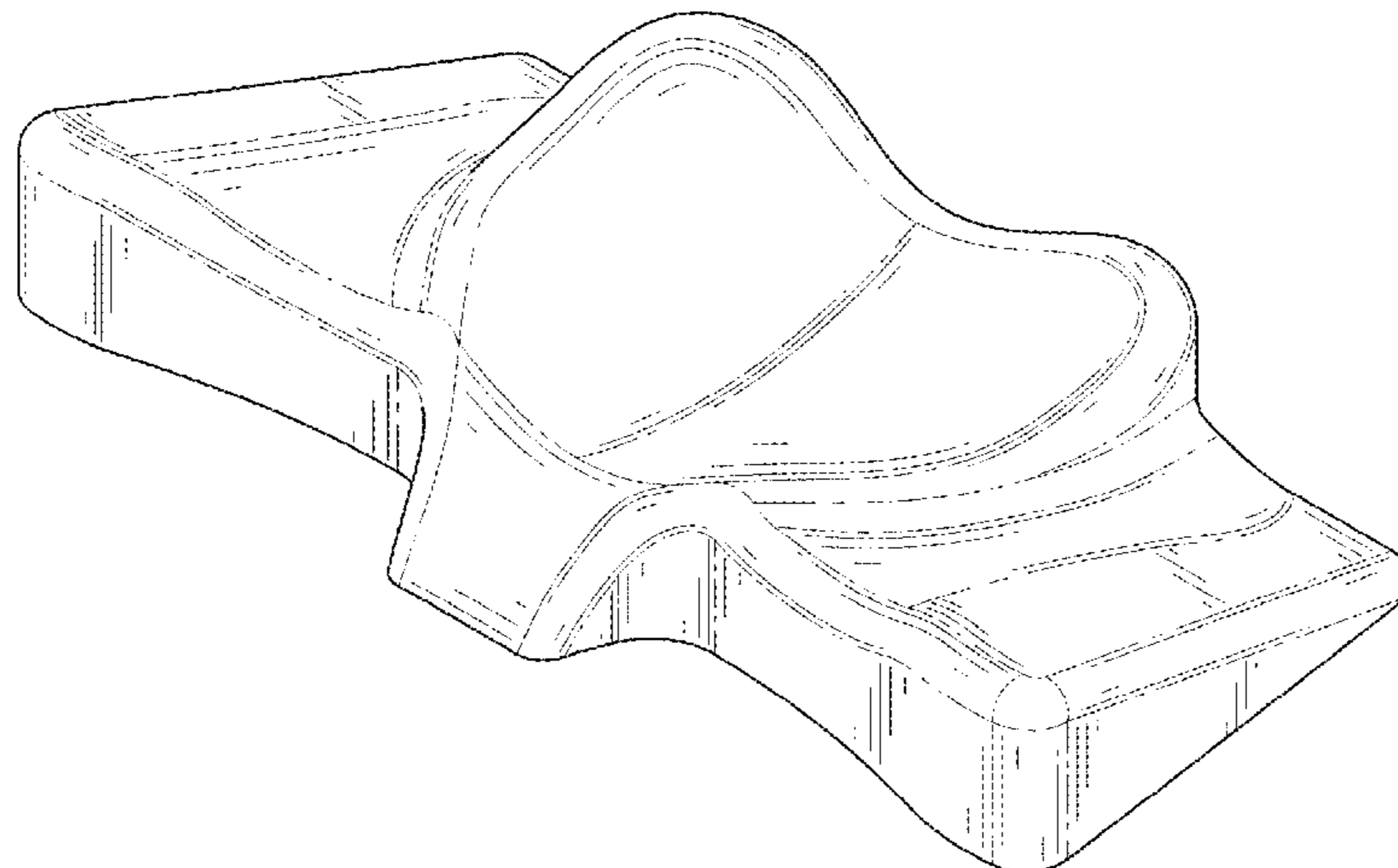
(57) **CLAIM**

The ornamental design for a pillow, as shown and described.

DESCRIPTION

FIG. 1 is a front elevational view of a pillow showing my new design;
FIG. 2 is a rear elevational view thereof;
FIG. 3 is a left side view thereof;
FIG. 4 is a right side view thereof;
FIG. 5 is a top plan view thereof;
FIG. 6 is a bottom plan view thereof;
FIG. 7 is a perspective view thereof; and,
FIG. 8 is another perspective view thereof.

1 Claim, 3 Drawing Sheets



(56)

References Cited

U.S. PATENT DOCUMENTS

D555,408 S * 11/2007 Keilhauer D6/601
D572,958 S * 7/2008 Keilhauer D6/601
D610,853 S * 3/2010 Straub D6/601
D634,960 S * 3/2011 Anson D6/601
D668,092 S * 10/2012 Davis D6/601
D690,535 S * 10/2013 Huang D6/601
D715,579 S * 10/2014 Scarlett D6/601
D728,272 S * 5/2015 Zimmerman D6/601
D752,900 S * 4/2016 Ueno D6/601
D752,901 S * 4/2016 Ueno D6/601
D759,991 S * 6/2016 Jing D6/601
D808,195 S * 1/2018 Wyborn D6/601
D829,470 S * 10/2018 Huang D6/601
D837,569 S * 1/2019 Barcohana D6/601
D837,570 S * 1/2019 Barcohana D6/601
2004/0068799 A1 * 4/2004 Wilson A47G 9/10
5/632
2008/0163428 A1 * 7/2008 Groteke A47G 9/10
5/638
2009/0139031 A1 * 6/2009 Davis A61G 7/072
5/639
2012/0017374 A1 * 1/2012 Hunter A47G 9/109
5/638
2018/0184822 A1 * 7/2018 Wang A47G 9/109

OTHER PUBLICATIONS

Therapeutica Sleeping pillow, early review Dec. 2015, [online],
[site visited Feb. 9, 2019]. Available from Internet, <URL: <https://www.amazon.com/Therapeutica-C103-Sleeping-Pillow-Average/dp/B015N45KDY?th=1>> (Year: 2015).*

* cited by examiner

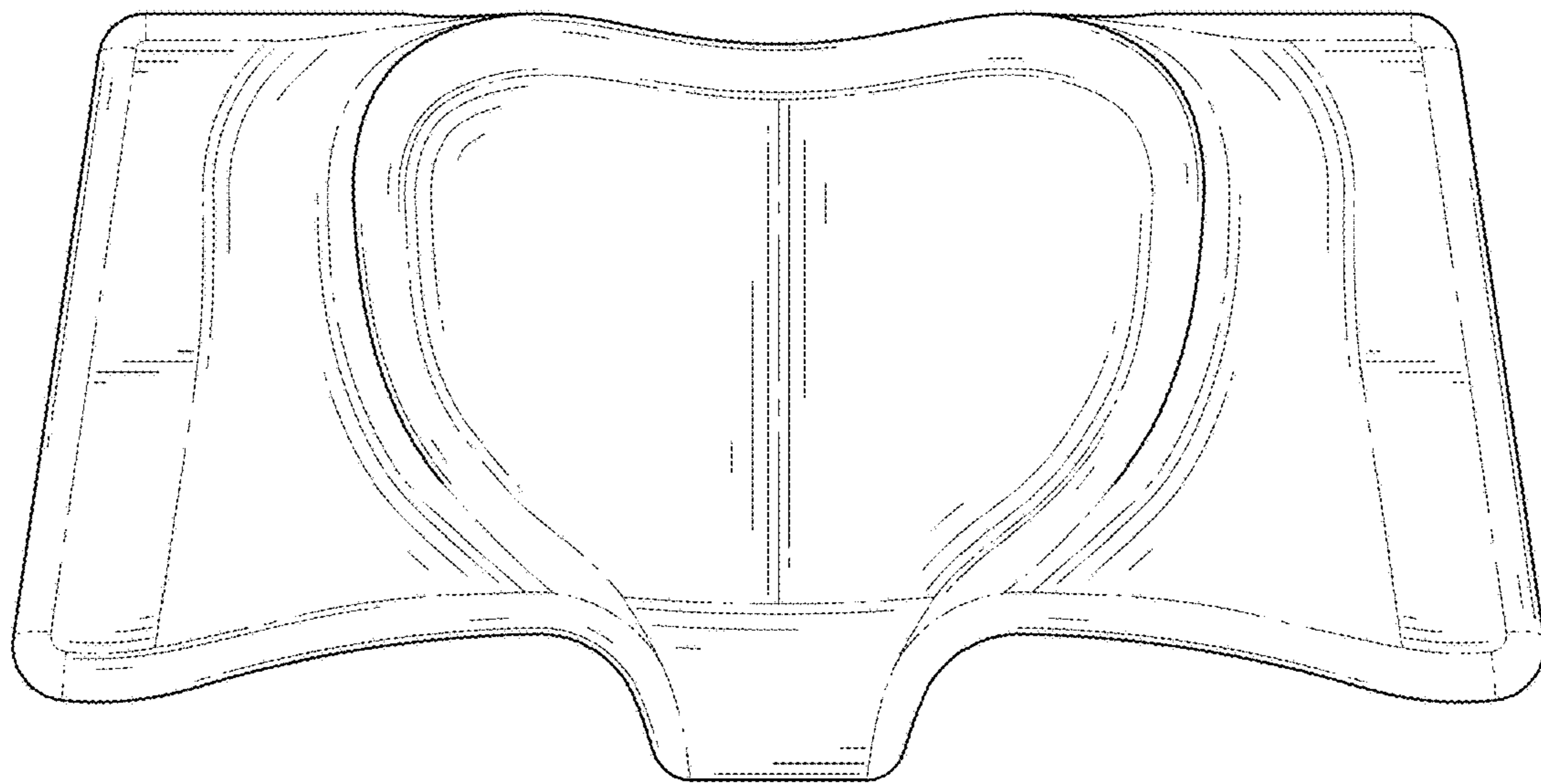


FIG. 1

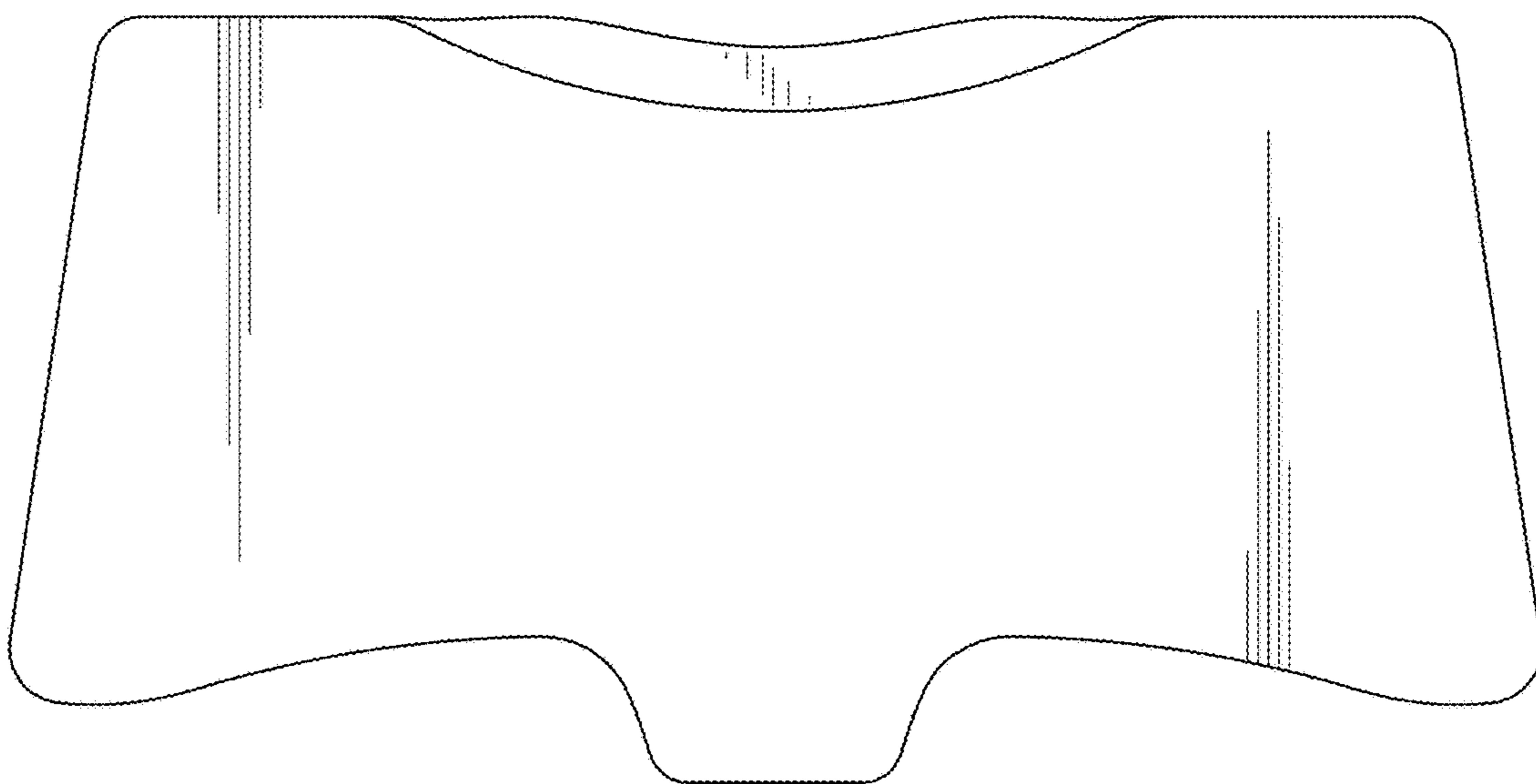


FIG. 2

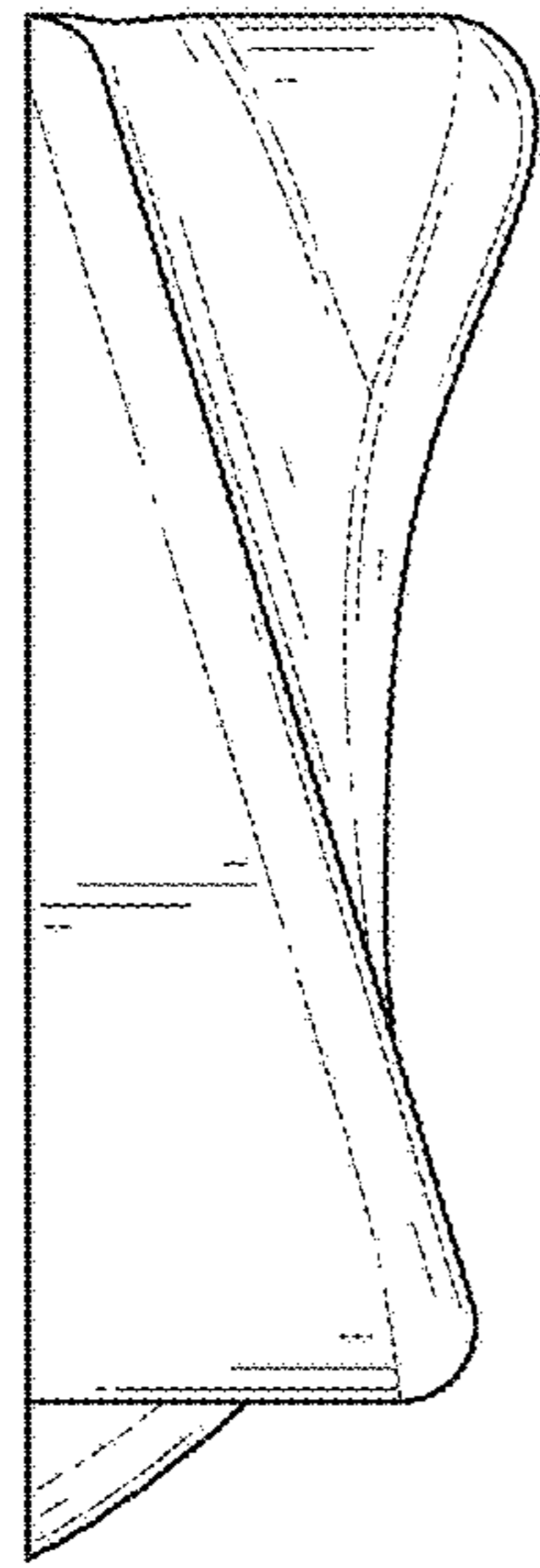


FIG. 3

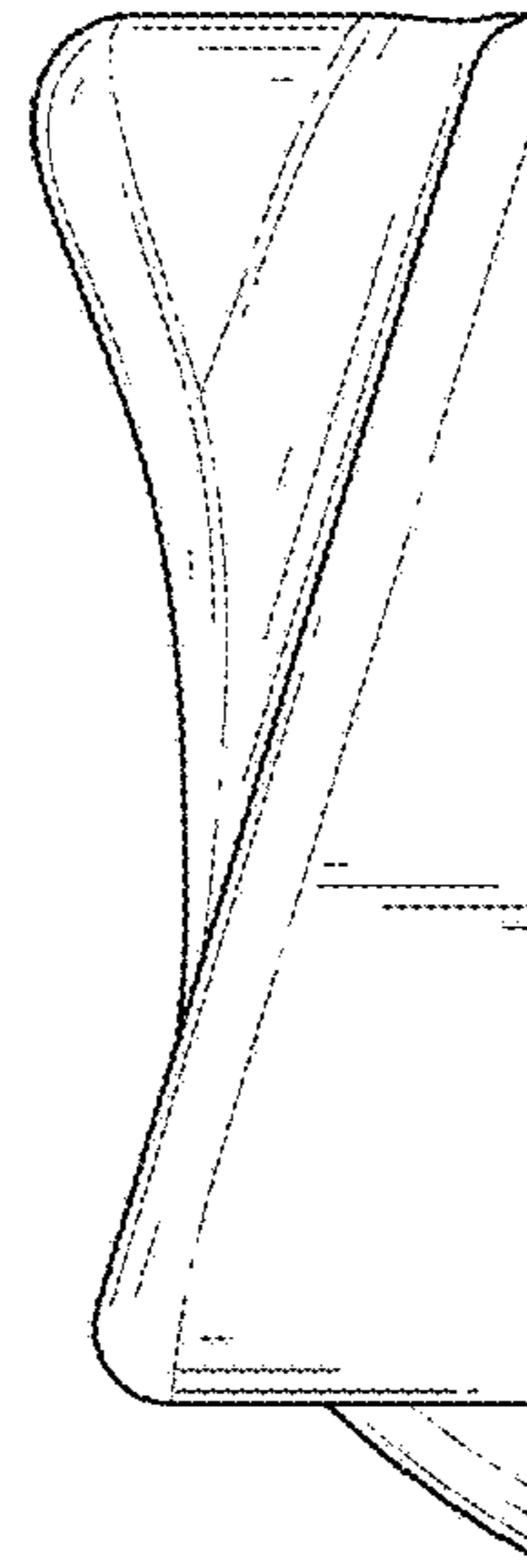


FIG. 4

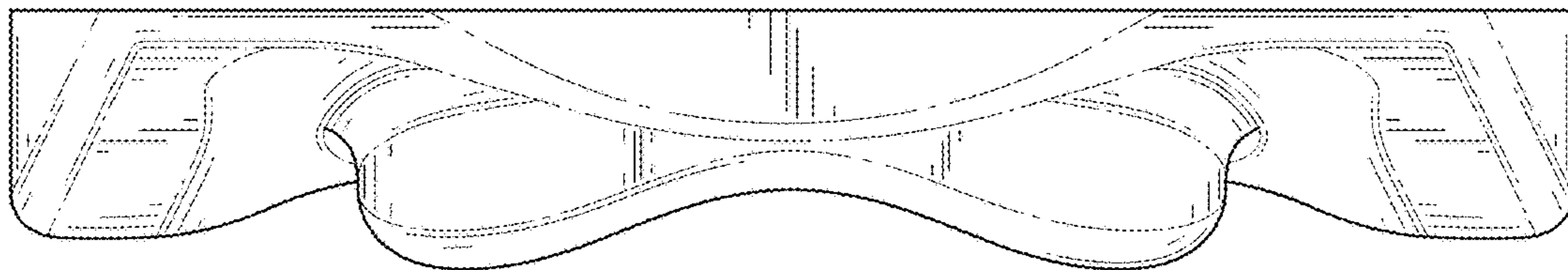


FIG. 5

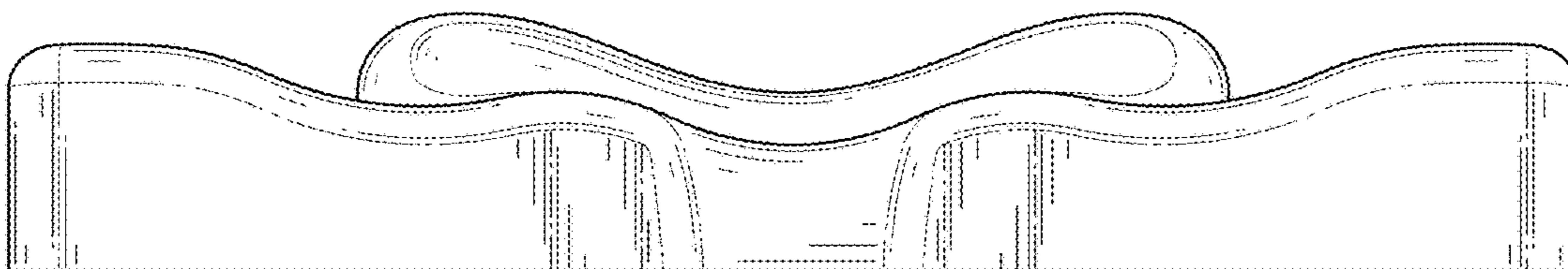


FIG. 6

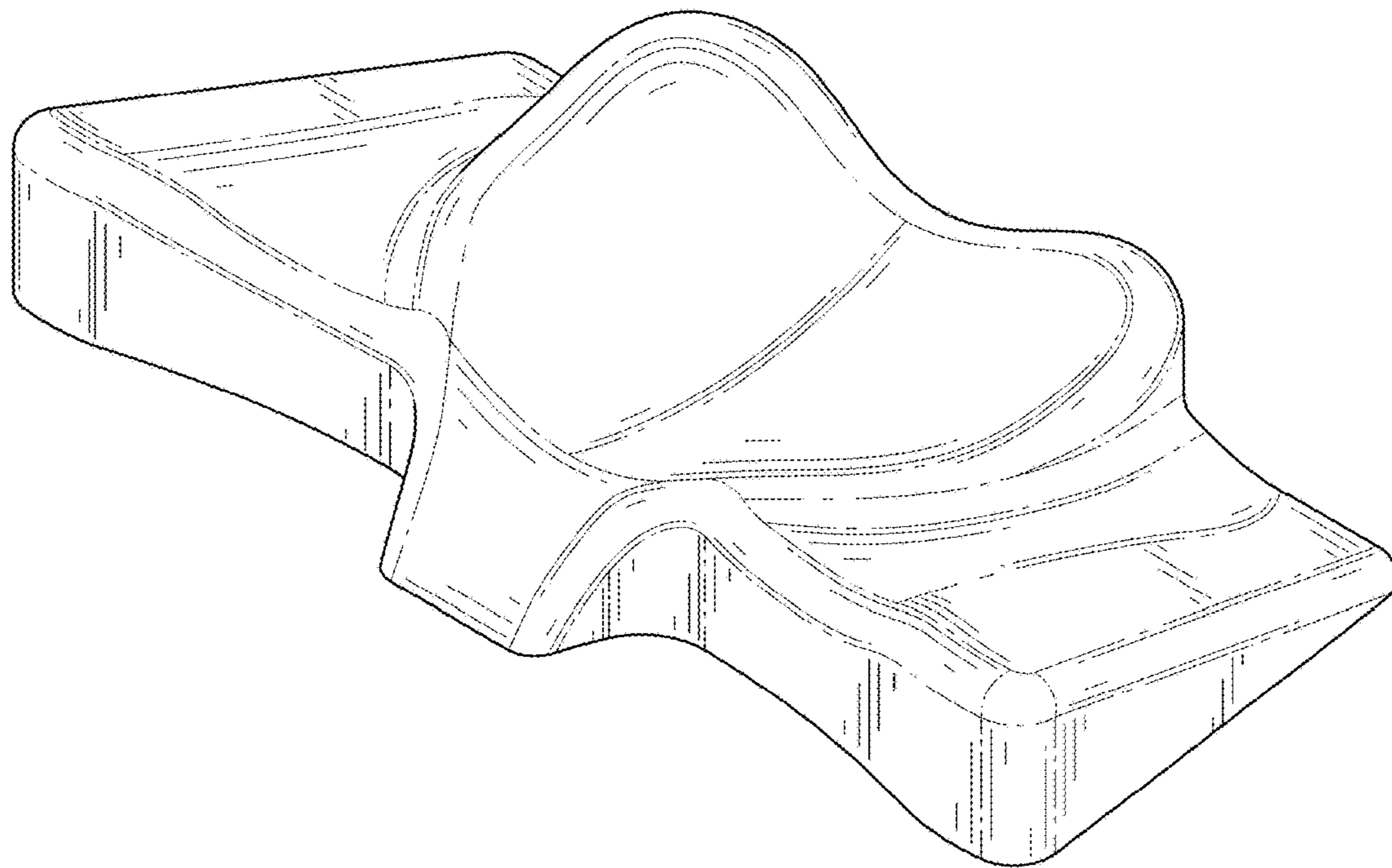


FIG. 7

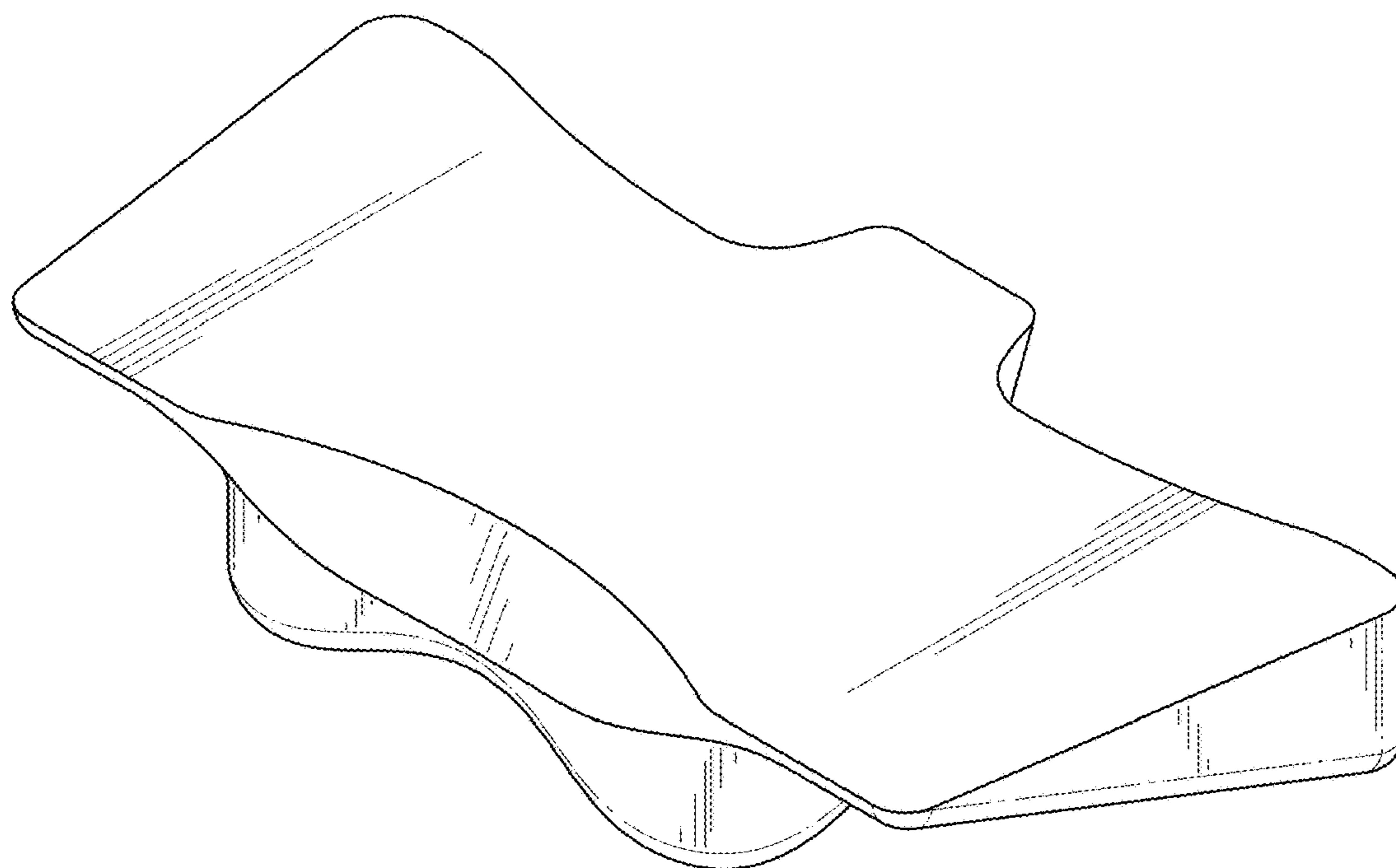


FIG. 8