



US00D856020S

(12) **United States Design Patent**  
**Ghahramanian**

(10) **Patent No.:** **US D856,020 S**

(45) **Date of Patent:** **\*\* Aug. 13, 2019**

- (54) **RACING SIMULATOR COCKPIT**
- (71) Applicant: **Hessam Ghahramanian**, Queensland (AU)
- (72) Inventor: **Hessam Ghahramanian**, Queensland (AU)
- (73) Assignee: **Hessam Ghahramanian**, Queensland (AU)
- (\*\*) Term: **15 Years**
- (21) Appl. No.: **29/608,579**
- (22) Filed: **Jun. 22, 2017**
- (51) **LOC (12) Cl.** ..... **06-01**
- (52) **U.S. Cl.**  
USPC ..... **D6/367**
- (58) **Field of Classification Search**  
USPC ..... D6/334-336, 338, 356, 364, 365, 366, D6/367, 374, 716, 716.1, 716.4  
CPC .. A47C 1/121; A47C 7/40; A47C 7/46; A47C 7/462; A47C 7/50; A47C 7/723  
See application file for complete search history.

- D651,815 S \* 1/2012 Smit ..... D6/336
- D665,181 S \* 8/2012 Crepeau ..... D6/356
- D679,914 S \* 4/2013 Smit ..... D6/338
- D691,822 S \* 10/2013 Smit ..... D6/368
- 2018/0092465 A1 \* 4/2018 Seibold ..... A47C 7/462

\* cited by examiner

*Primary Examiner* — Mimososa De

(74) *Attorney, Agent, or Firm* — Ferguson Case Orr Paterson

(57) **CLAIM**

The ornamental design for a racing simulator cockpit, as shown and described herein.

**DESCRIPTION**

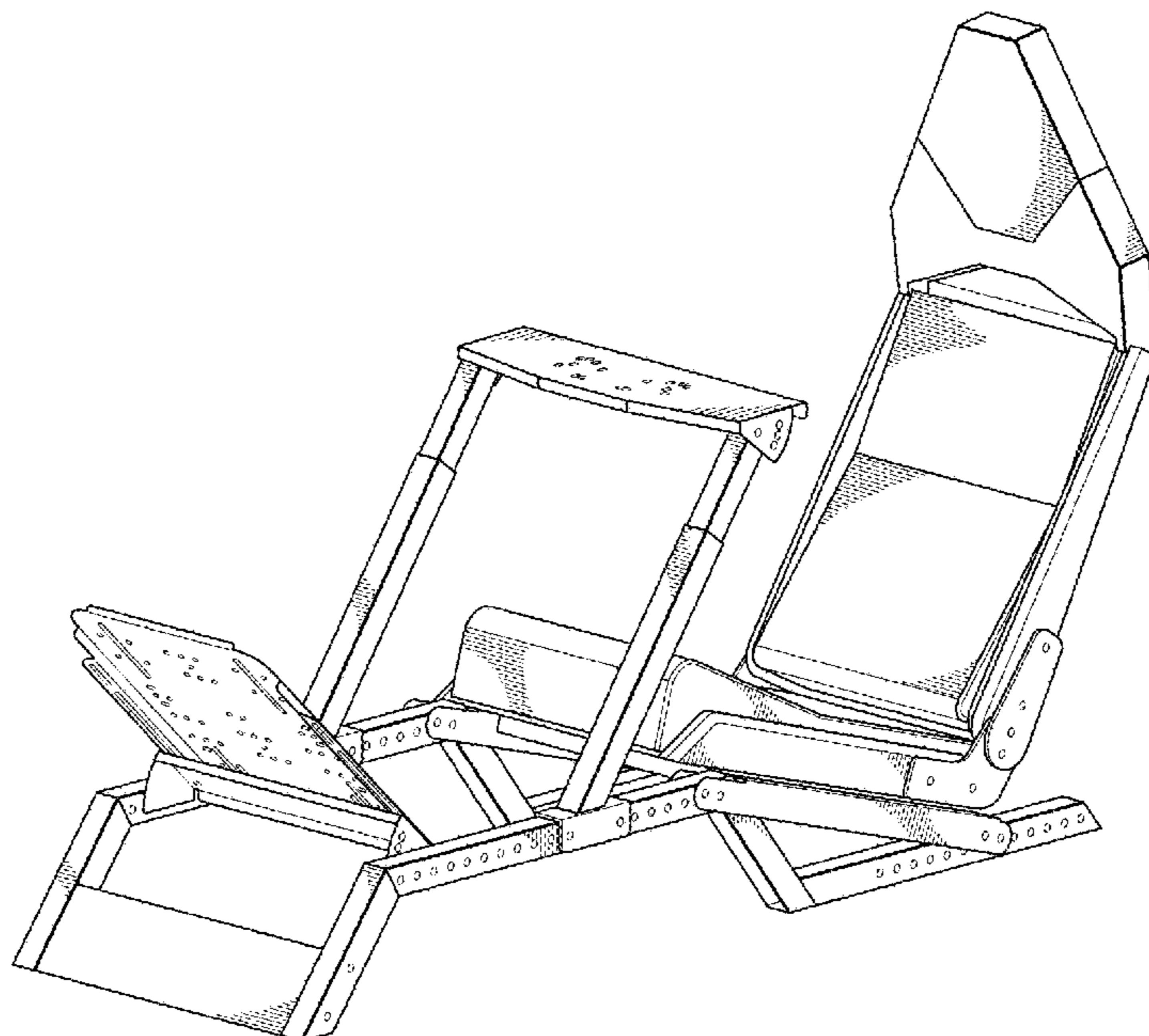
- FIG. 1 is a front perspective view of a racing simulator cockpit according to the present invention.
- FIG. 2 is a rear perspective view of the racing simulator cockpit shown in FIG. 1.
- FIG. 3 is a front view of the racing simulator cockpit shown in FIG. 1.
- FIG. 4 is a rear view of the racing simulator cockpit shown in FIG. 1.
- FIG. 5 is a right side of the racing simulator cockpit shown in FIG. 1.
- FIG. 6 is a left side view of the racing simulator cockpit shown in FIG. 1.
- FIG. 7 is a top view of the racing simulator cockpit shown in FIG. 1; and,
- FIG. 8 is a bottom view of the racing simulator cockpit shown in FIG. 1.

(56) **References Cited**

**U.S. PATENT DOCUMENTS**

- 5,120,109 A \* 6/1992 Rangoni ..... A47C 7/40 297/284.3
- D465,343 S \* 11/2002 Daneault ..... D6/338
- D598,207 S \* 8/2009 Smit ..... D6/335
- D612,641 S \* 3/2010 Smit ..... D6/366

**1 Claim, 7 Drawing Sheets**



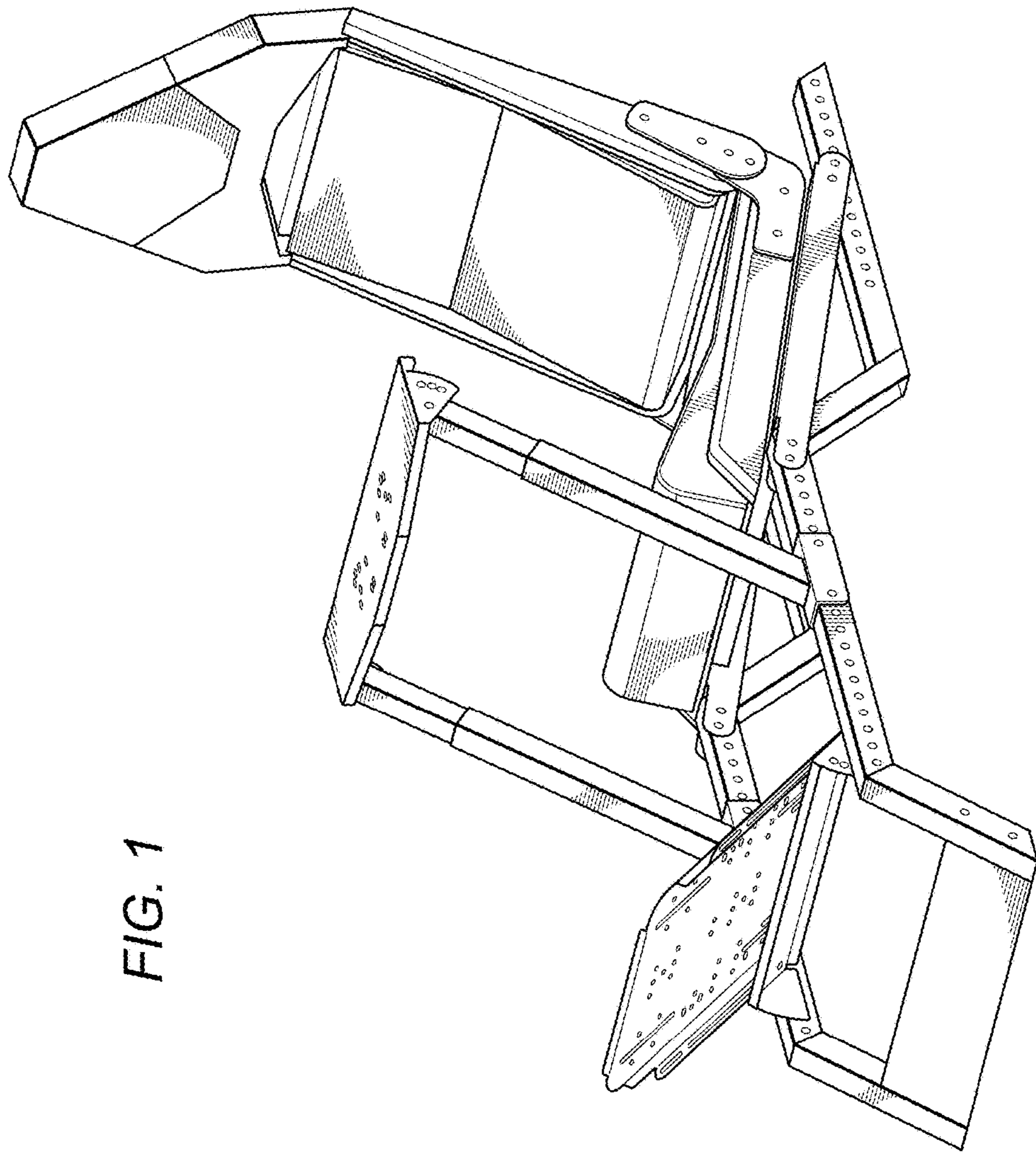


FIG. 1

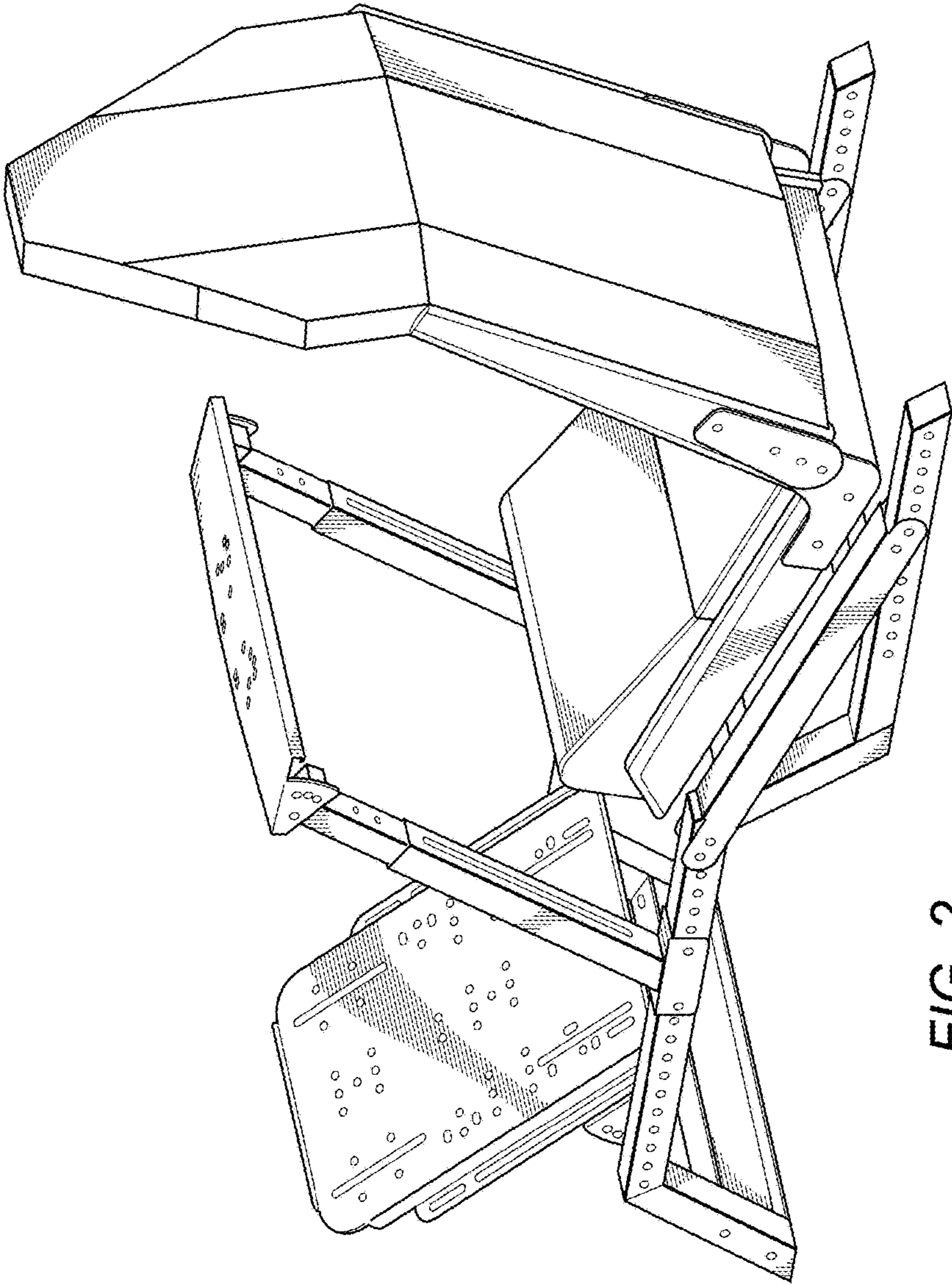


FIG. 2

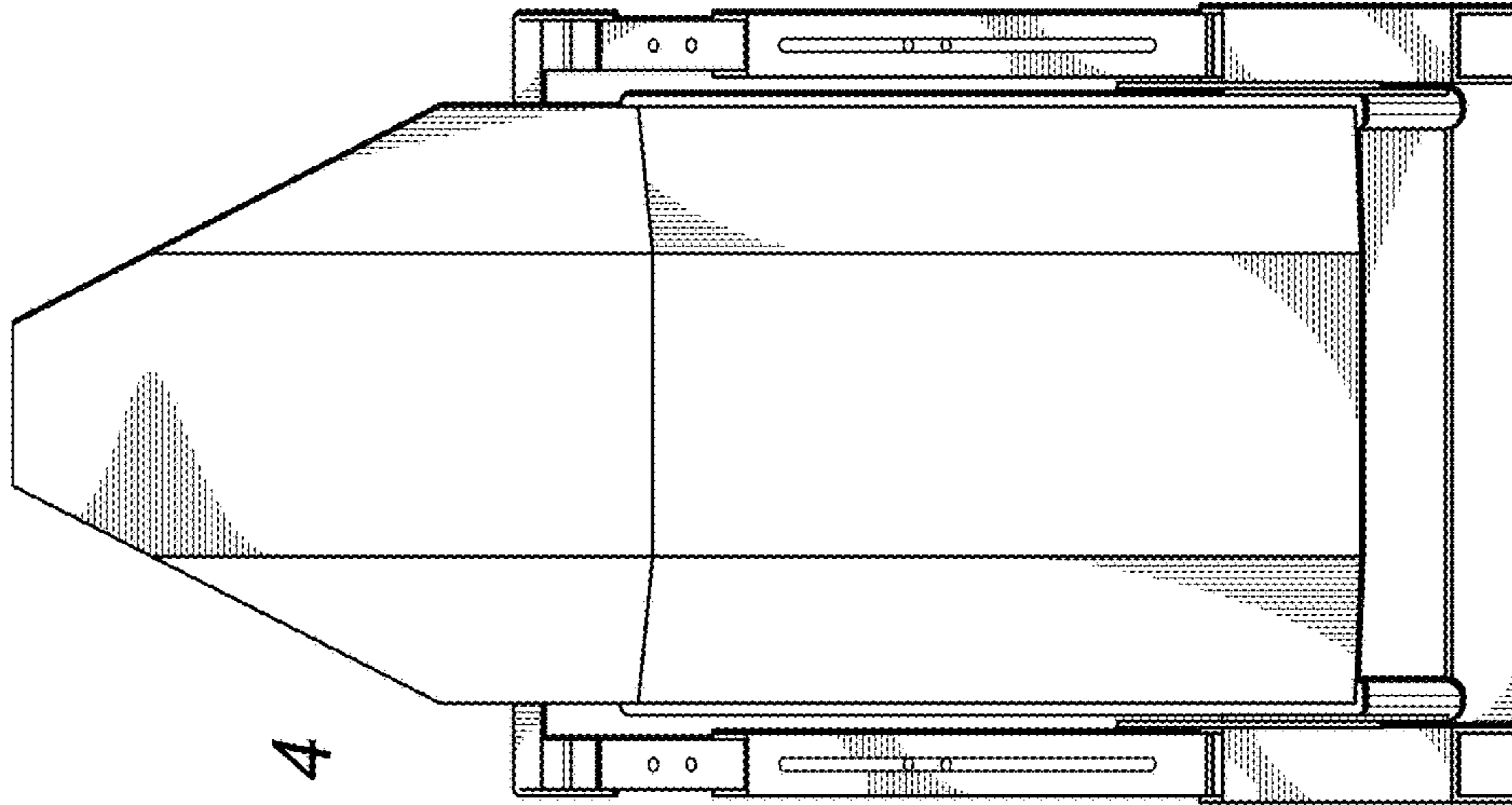


FIG. 4

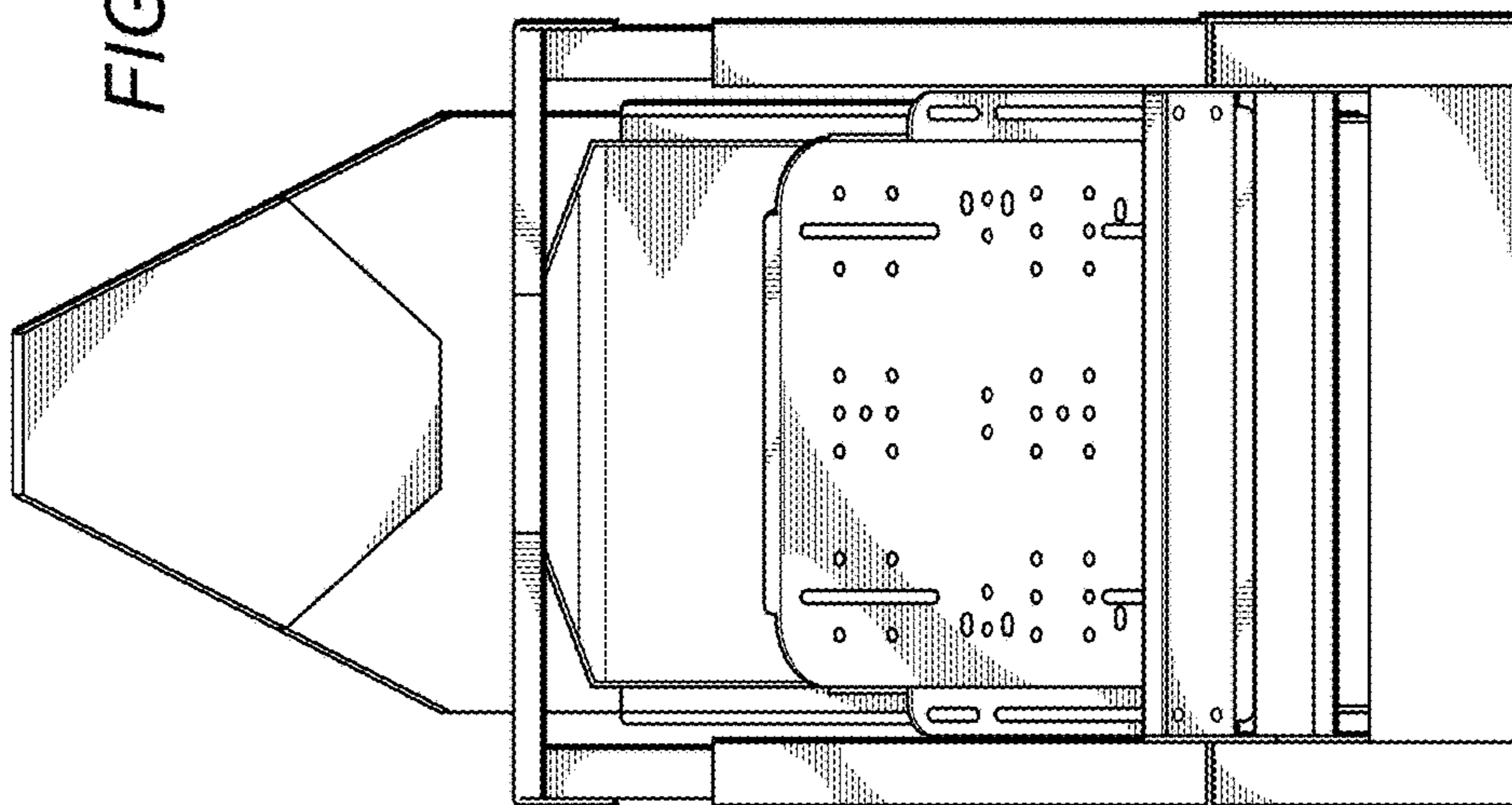


FIG. 3

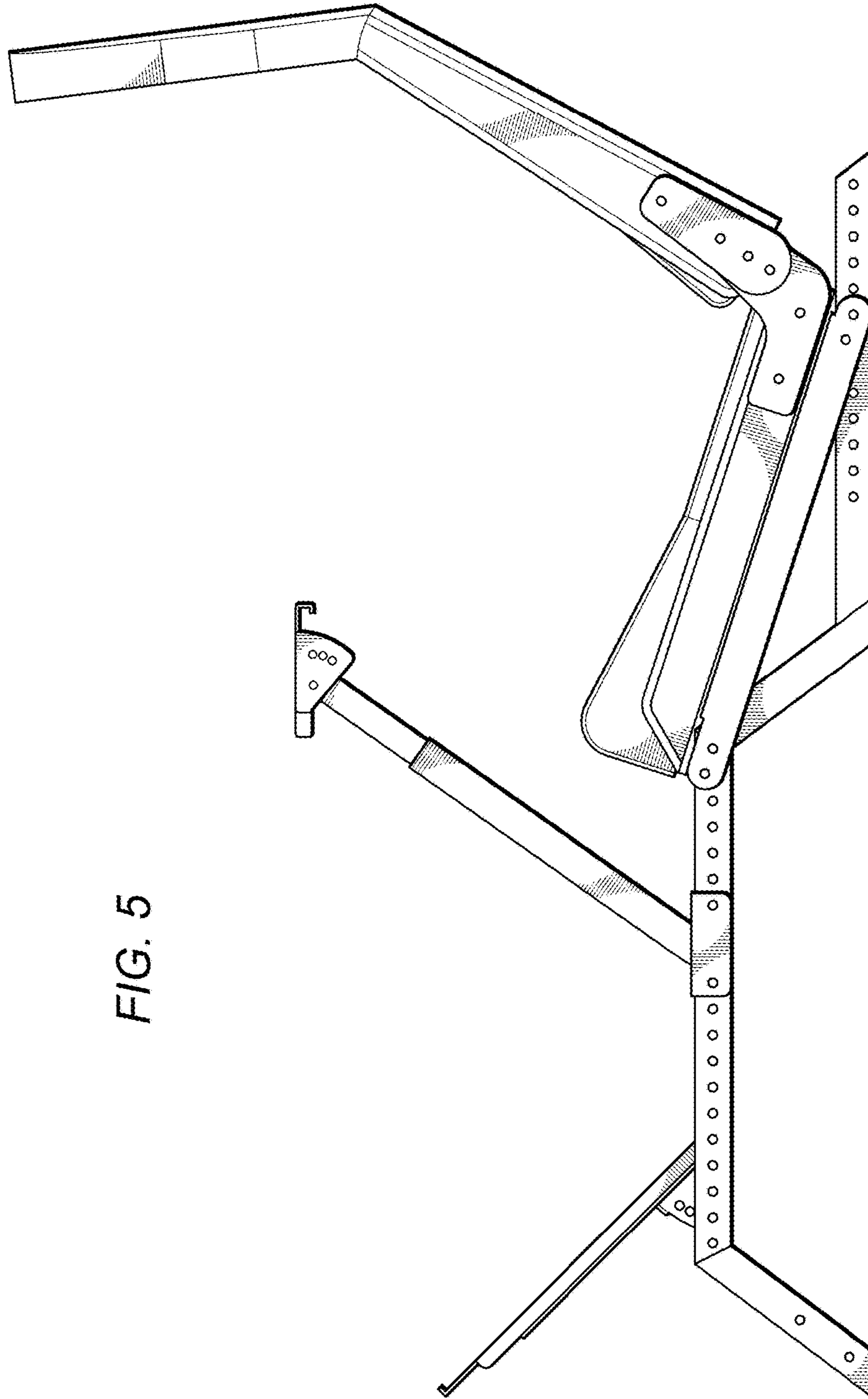


FIG. 5

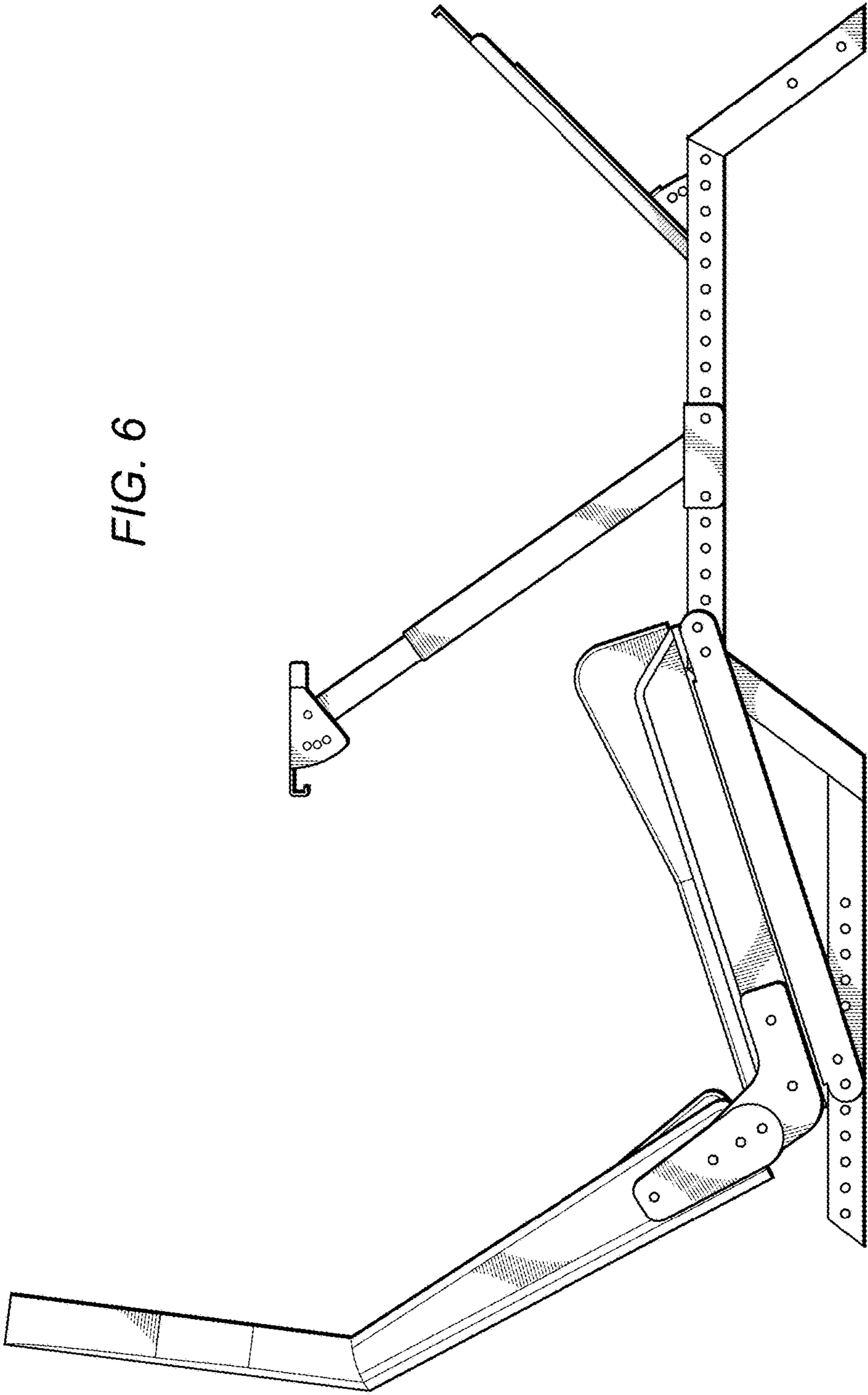


FIG. 6

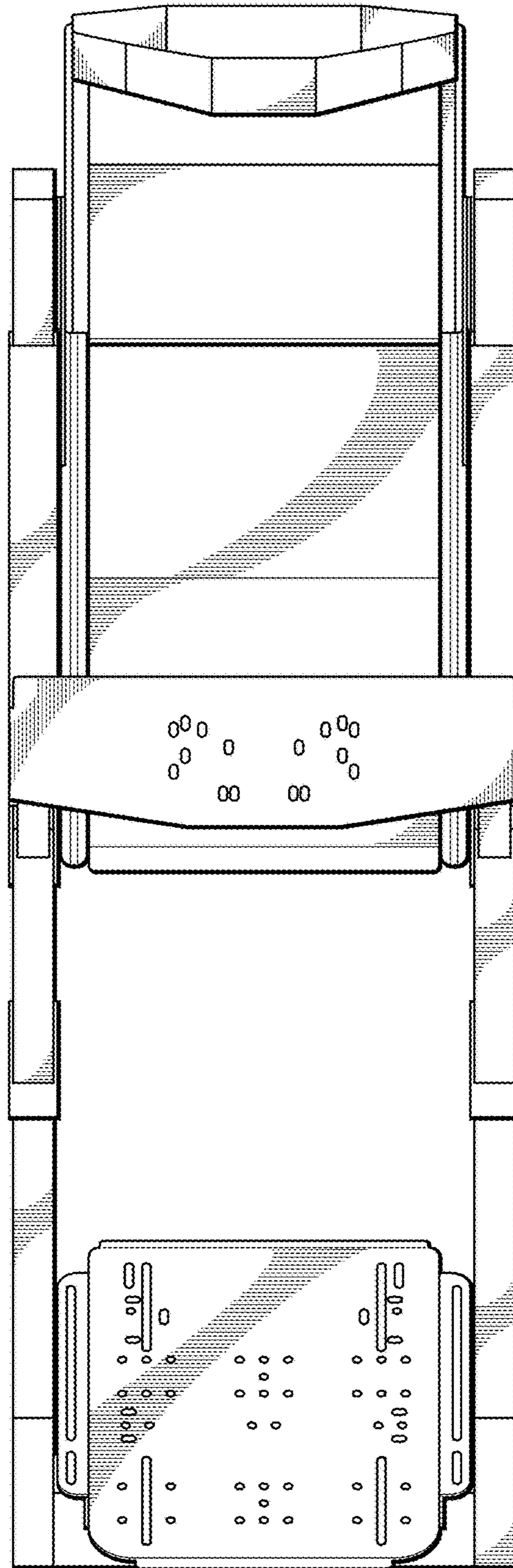


FIG. 7

FIG. 8

