



US00D856019S

(12) **United States Design Patent** (10) **Patent No.:** **US D856,019 S**  
**Lievore et al.** (45) **Date of Patent:** **\*\* Aug. 13, 2019**

(54) **ARMCHAIR**

(56) **References Cited**

(71) Applicant: **ARPER S.P.A.**, Monastier di Treviso (IT)  
(72) Inventors: **Alberto Lievore**, Treviso (IT); **Jeannette Altherr**, Treviso (IT); **Manel Molina**, Treviso (IT)  
(73) Assignee: **ARPER S.P.A.**, Monastier di Treviso (IT)

U.S. PATENT DOCUMENTS

D240,375 S *	7/1976	Buhk .....	D6/366
D637,829 S *	5/2011	Citterio .....	D6/366
D638,231 S *	5/2011	Lievore .....	D6/375
D649,796 S *	12/2011	Lievore .....	D6/366
D660,056 S *	5/2012	Diffrient .....	D6/366
D760,004 S *	6/2016	Lievore .....	D6/716
D761,579 S *	7/2016	Lievore .....	A47C 3/04 D6/366
D768,401 S *	10/2016	Lievore .....	D6/366
2014/0361593 A1 *	12/2014	Kaloustian .....	A47C 3/04 297/353

(\*\*) Term: **15 Years**

(21) Appl. No.: **35/503,834**

\* cited by examiner

(22) Filed: **Aug. 29, 2017**

*Primary Examiner* — Mary Ann Calabrese  
(74) *Attorney, Agent, or Firm* — Thomas|Horstemeyer, LLP

(80) **Hague Agreement Data**

Int. Filing Date: **Aug. 29, 2017**  
Int. Reg. No.: **DM/097949**  
Int. Reg. Date: **Aug. 29, 2017**  
Int. Reg. Pub. Date: **Oct. 20, 2017**

(57) **CLAIM**

The ornamental design for an armchair, as shown and described.

(30) **Foreign Application Priority Data**

Mar. 31, 2017 (WO) ..... DM/096824

(51) **LOC (12) Cl.** ..... **06-01**

(52) **U.S. Cl.**  
USPC ..... **D6/366**

(58) **Field of Classification Search**  
USPC ..... D6/334, 364-367, 374, 375  
CPC .... A47C 3/00; A47C 4/00; A47C 4/02; A47C 5/00; A47C 7/00; A47C 7/004; A47C 7/006

See application file for complete search history.

**DESCRIPTION**

- 1. Armchair
- 1.1 is a right side view;
- 1.2 is a left side view;
- 1.3 is a front view;
- 1.4 is a rear view;
- 1.5 is a top view;
- 1.6 is a bottom view.

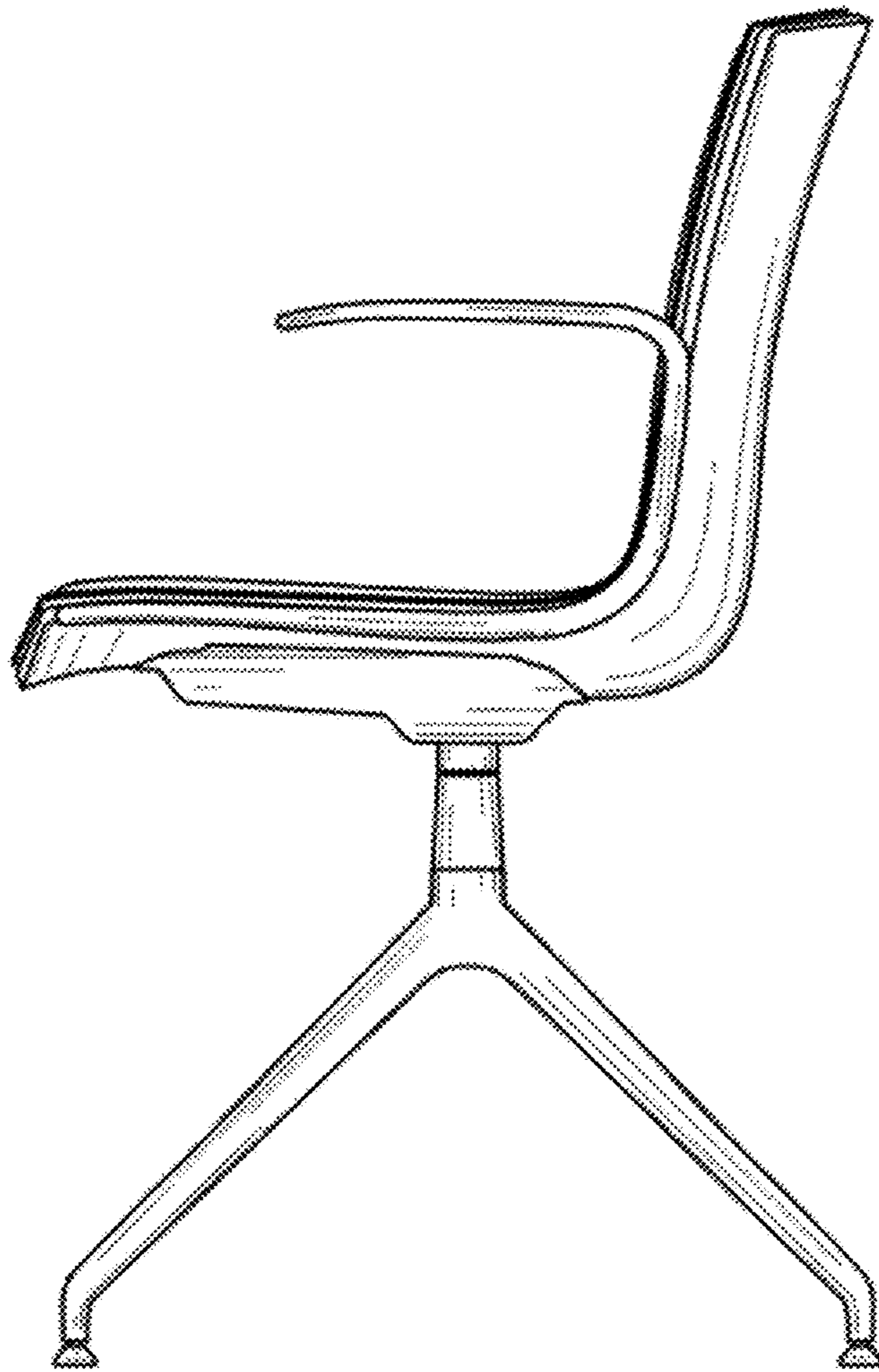
**1 Claim, 6 Drawing Sheets**



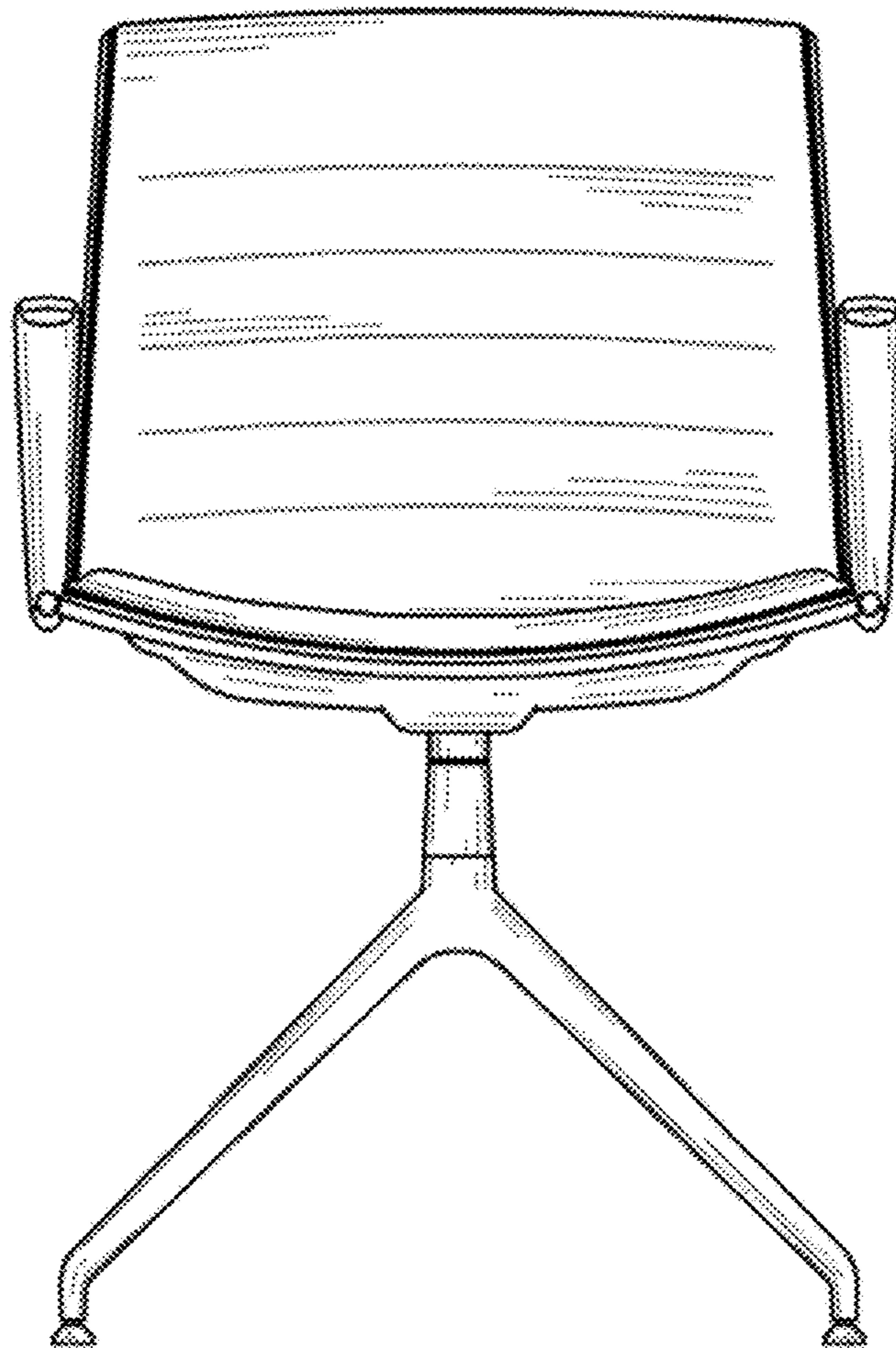
1.1



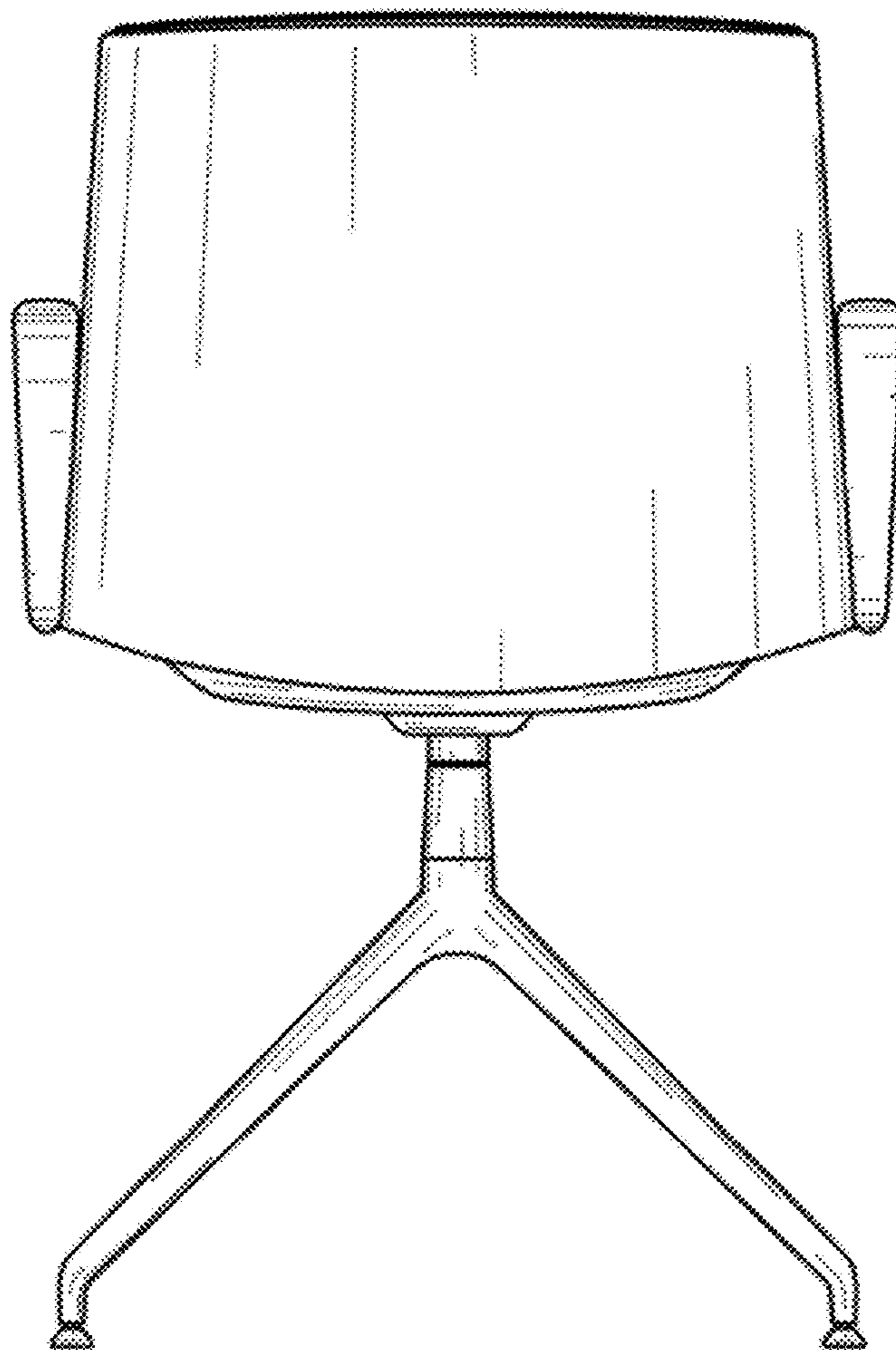
1.2



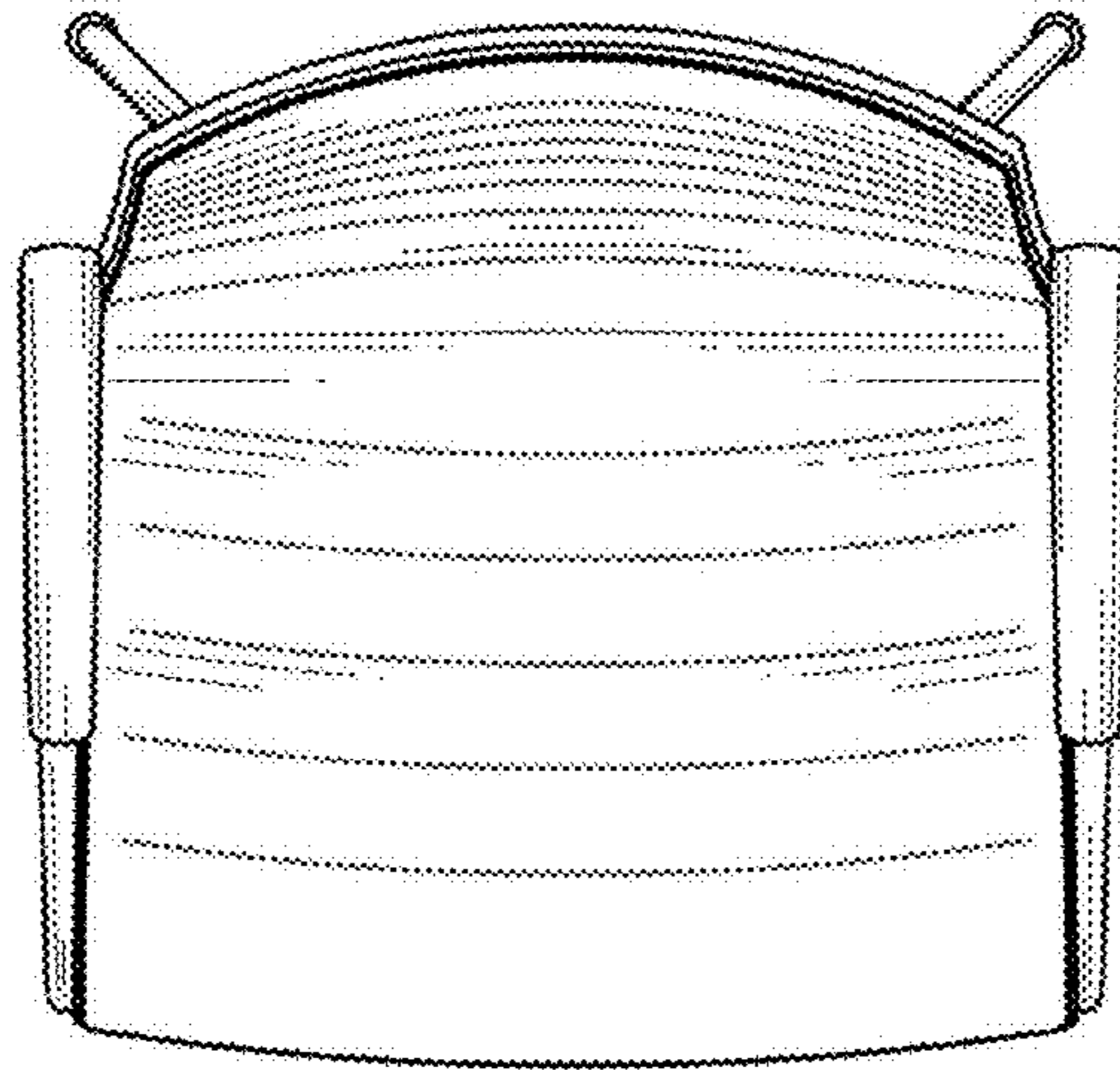
1.3



1.4



1.5



1.6

