

US00D856012S

(12) **United States Design Patent**
Hiyoshi

(10) **Patent No.:** **US D856,012 S**

(45) **Date of Patent:** **** Aug. 13, 2019**

- (54) **OTTOMAN**
- (71) Applicant: **Steelcase Inc.**, Grand Rapids, MI (US)
- (72) Inventor: **Yuka Hiyoshi**, Grand Rapids, MI (US)
- (73) Assignee: **Steelcase Inc.**, Grand Rapids, MI (US)
- (**) Term: **15 Years**
- (21) Appl. No.: **29/672,608**
- (22) Filed: **Dec. 6, 2018**

3,002,789 A	10/1961	Brown
3,401,993 A	9/1968	Fenkel
D216,012 S	11/1969	Buchsbaum
3,536,359 A	10/1970	Amos
3,669,495 A	6/1972	Von Rudgisch
3,695,340 A	10/1972	Gross
D225,190 S *	11/1972	Van Syoc D6/336
3,746,391 A	7/1973	Novak
D253,377 S	11/1979	Spound et al.
D257,548 S	11/1980	Ungaro
D260,214 S	8/1981	Lewis et al.

(Continued)

Related U.S. Application Data

- (63) Continuation of application No. 29/629,420, filed on Dec. 13, 2017, now Pat. No. Des. 839,011.
- (51) **LOC (12) Cl.** **06-01**
- (52) **U.S. Cl.**
USPC **D6/352**
- (58) **Field of Classification Search**
USPC D6/334-338, 340-343, 349-353, 355,
D6/364-365, 691-691.9, 692-692.6;
D25/65
CPC A47B 7/00-02; A47C 11/00; A47C 13/00;
A47C 16/00; A47C 16/02-04; A47C
9/00-105; A47C 17/02; A47C 17/028
See application file for complete search history.

References Cited

U.S. PATENT DOCUMENTS

931,908 A	8/1909	Weld	
D82,161 S *	9/1930	Kolker	D6/364
2,108,241 A	2/1938	Wallace	
D118,295 S	12/1939	Tropauer	
2,470,011 A	5/1949	Winter	
D155,619 S	10/1949	Miller	
2,509,525 A	5/1950	Reichhelm	
2,833,337 A	5/1958	Meekin	

OTHER PUBLICATIONS

Turnstone Campfire Pouf Modern Ottoman—Steelcase. [online] Retrieved Mar. 4, 2019 from URL: <https://www.steelcase.com/products/lounge-seating/campfire-pouf/>.*

(Continued)

Primary Examiner — Vy N Koenig

(74) *Attorney, Agent, or Firm* — Quarles & Brady LLP

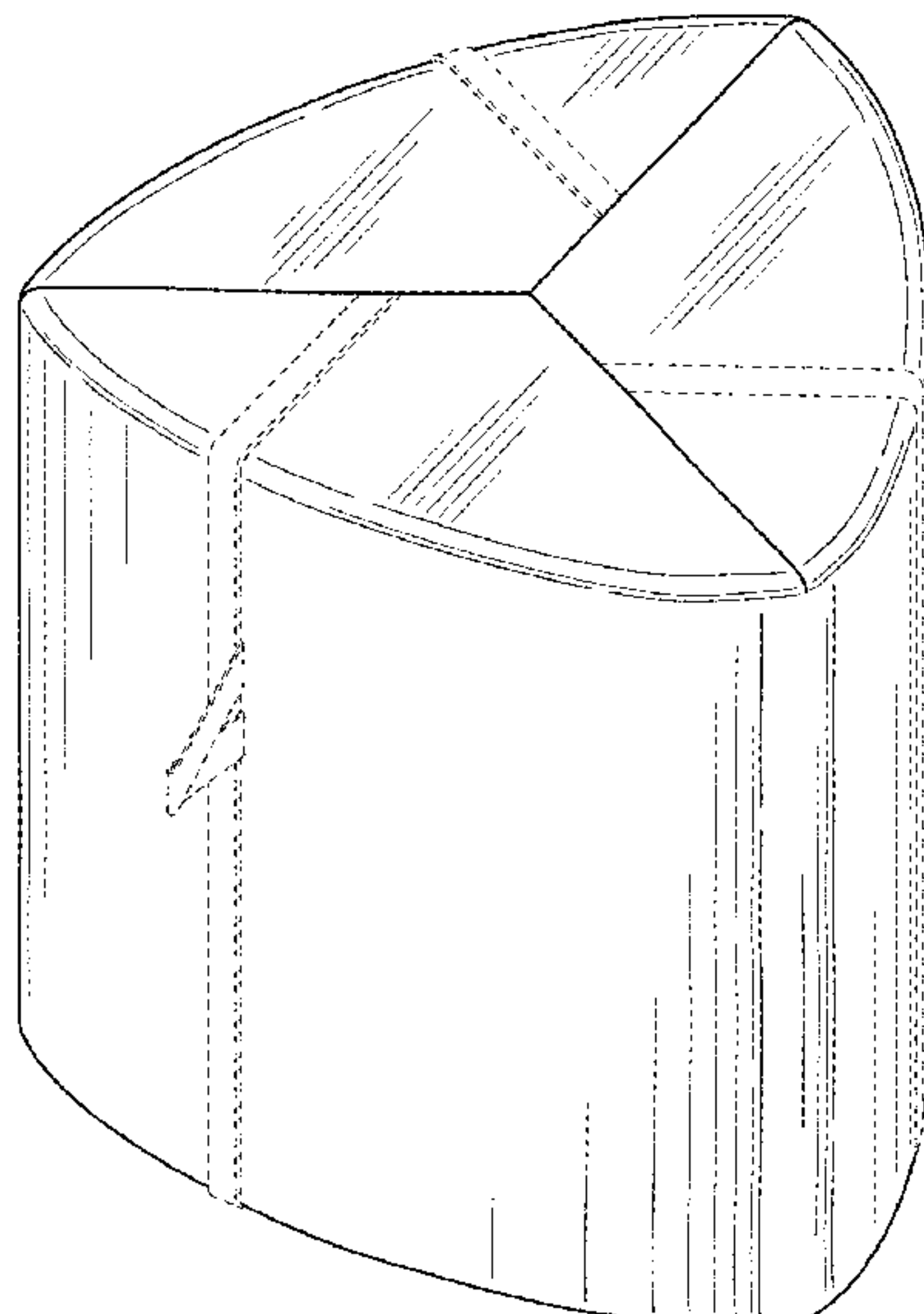
(57) **CLAIM**

The ornamental design for an ottoman, as shown and described.

DESCRIPTION

FIG. 1 is an isometric view of a front, top, and right side of an ornamental design for an ottoman;
FIG. 2 is a front elevational view of the ottoman of FIG. 1;
FIG. 3 is a rear elevational view of the ottoman of FIG. 1;
FIG. 4 is a right elevational view of the ottoman of FIG. 1;
FIG. 5 is a left elevational view of the ottoman of FIG. 1;
FIG. 6 is a top plan view of the ottoman of FIG. 1; and,
FIG. 7 is a bottom plan view of the ottoman of FIG. 1.
The dashed lines are for the purpose of illustrating environmental structure and form no part of the claimed design.

1 Claim, 4 Drawing Sheets



(56)

References Cited

U.S. PATENT DOCUMENTS

D264,898 S * 6/1982 Baker D6/364
 D274,676 S 7/1984 Massonnet
 4,470,647 A 9/1984 Bishoff et al.
 4,640,437 A 2/1987 Weingartner
 4,678,234 A 7/1987 Wilson
 4,900,090 A 2/1990 Davis
 5,218,923 A 6/1993 LaRosa
 5,328,246 A 7/1994 Sereboff
 5,423,597 A 6/1995 Rogers
 5,509,720 A 4/1996 Croom
 D371,462 S 7/1996 Grossmith
 5,570,588 A 11/1996 Lowe
 5,613,746 A 3/1997 Green et al.
 5,699,925 A 12/1997 Petruzzi
 D398,348 S 9/1998 Hogan
 D406,470 S 3/1999 Lin
 D419,340 S * 1/2000 Swensson D6/696.1
 6,063,007 A 5/2000 Sithole
 6,155,641 A 12/2000 Frost
 6,202,787 B1 3/2001 Kessler et al.
 D449,386 S 10/2001 Cheris et al.
 6,557,955 B2 5/2003 Saravis
 D486,966 S 2/2004 Steendyk
 D490,616 S 6/2004 Ljahnicky et al.
 D493,966 S 8/2004 Rach
 D528,808 S 9/2006 Gehry
 D530,109 S 10/2006 Barrett
 D530,529 S 10/2006 Gehry
 D530,530 S 10/2006 Gehry
 D557,910 S 12/2007 Saunders et al.
 D560,378 S 1/2008 Audrito
 D560,400 S 1/2008 Austin et al.
 D564,244 S 3/2008 Ikaheimo
 D566,409 S 4/2008 Lindqvist et al.
 D566,430 S 4/2008 Austin et al.
 D579,675 S 11/2008 Paterson
 D581,703 S 12/2008 Diekman
 7,467,502 B1 12/2008 Sylva
 D586,574 S 2/2009 Gomree
 D592,889 S 5/2009 Carter et al.
 7,526,841 B2 5/2009 Lipniarski
 D597,326 S 8/2009 Boutin
 D600,943 S 9/2009 Austin et al.
 7,597,392 B1 10/2009 Gilmore
 D609,927 S 2/2010 Floer
 D610,359 S 2/2010 Young-il et al.
 D611,267 S 3/2010 Collette
 D611,716 S 3/2010 Joly
 D612,162 S 3/2010 Kapasi
 7,818,939 B2 10/2010 Bearinger et al.
 D627,524 S 11/2010 Seliskar
 D627,982 S 11/2010 Shen
 D628,247 S 11/2010 de Boers et al.
 D644,032 S 8/2011 Eveleth
 D647,313 S 10/2011 Chen
 D650,182 S 12/2011 Andersson
 D650,184 S 12/2011 Hsu
 D651,367 S 12/2011 Seliskar et al.
 D651,369 S 12/2011 Seliskar et al.
 8,152,238 B2 4/2012 Timme et al.
 D668,463 S 10/2012 Eicke
 D669,276 S 10/2012 Schaack
 D670,090 S 11/2012 Miucci
 D670,508 S 11/2012 Barber
 D681,967 S 5/2013 Schoolmeester et al.
 D682,967 S 5/2013 Shealy et al.

D683,145 S 5/2013 Patel
 D688,050 S 8/2013 Gologorsky
 D690,522 S 10/2013 Pontiff
 D690,949 S 10/2013 Lievore et al.
 D694,533 S 12/2013 Maddadi
 D695,031 S 12/2013 Jehs et al.
 D699,954 S 2/2014 Hidalgo
 D721,236 S 1/2015 Nikolajsen
 D725,926 S 4/2015 Baraldi et al.
 D727,643 S 4/2015 Caldwell
 D728,951 S 5/2015 Yoshida
 D732,843 S 6/2015 Lilly et al.
 D738,125 S 9/2015 Biddle et al.
 9,138,058 B2 9/2015 Koolhaas et al.
 D748,403 S 2/2016 Walser
 D752,216 S 3/2016 Chong et al.
 D764,193 S 8/2016 Gelman
 D764,197 S 8/2016 Yoshida
 D764,198 S 8/2016 Yoshida
 D801,712 S 11/2017 Neil
 D832,603 S * 11/2018 Higgs D6/336
 D839,011 S * 1/2019 Hiyoshi D6/352
 2002/0185941 A1 12/2002 Ferraro et al.
 2006/0103219 A1 5/2006 Sardana
 2010/0207442 A1 8/2010 Hrib
 2013/0038104 A1 2/2013 Burns et al.
 2013/0069506 A1 3/2013 Bennett et al.
 2013/0097846 A1 4/2013 Pettigrew et al.
 2013/0127228 A1 5/2013 Colvin et al.
 2015/0001900 A1 1/2015 Wang
 2015/0091341 A1 4/2015 Buckley

OTHER PUBLICATIONS

JUN—Footstools Creative Stool Foot Stool Wooden Change Shoe Stool. [online] Published on Mar. 23, 2018. Retrieved Aug. 7, 2018 from URL: <https://www.amazon.co.uk/JUN-Footstools-Creative-Triangle-Removable-Upholstered/dp/B07BN9J15B>.*

Salon Chair Wedding Chair Covers Used Salon Chair Covers . [online] Published on Oct. 17, 2015. Retrieved Aug. 7, 2018 from URL: <http://www.drewdick.com/images/alibaba-express-china-salon-chair-wedding-chair-covers-used-salon-chair-covers-3/>.*

JUN—Footstools Creative Stool Foot Stool Wooden Change Shoe Stool. [online] Retrieved Aug. 7, 2018 from URL: <https://www.amazon.co.uk/JUN-Footstools-Creative-Triangle-Removable-Upholstered/dp/B07BN9J15B>, 5 pages.

Salon Chair Wedding Chair Covers Used Salon Chair Covers. [online] Retrieved Aug. 7, 2018 from URL: <http://www.drewdick.com/images/alibaba-express-china-salon-chair-wedding-chair-covers-used-salon-chair-covers-3/>, 5 pages.

Darya Fabric Triangle Ottoman Stool by Christopher Knight Home, Retrieved Dec. 12, 2018 from URL: <https://www.overstock.com/Home-Garden/Darya-Fabric-Triangle-Ottoman-Stool-by-Christopher-Knight-Home/16790983/product.html>, 7 pages.

Blue & Orange Geometric Jenny Pennywood Pouf Ottoman by zulily, Retrieved Dec. 12, 2018 from URL: <https://www.zulily.com/p/blue-orange-geometric-jenny-pennywood-pouf-ottoman-213842-43070422.html>, 5 pages.

Trista Ottoman by Grandin Road, Retrieved Dec. 12, 2018 from URL: <https://www.grandinroad.com/trista-ottoman/indoor-furniture/benches-ottomans/492425>, 6 pages.

Triangle Chester Stool (CF/11T) by Trent Furniture, Retrieved Dec. 12, 2018 from URL: <https://www.trentfurniture.co.uk/products/all-stools/triangle-chester-stool-194>, 2 pages.

* cited by examiner

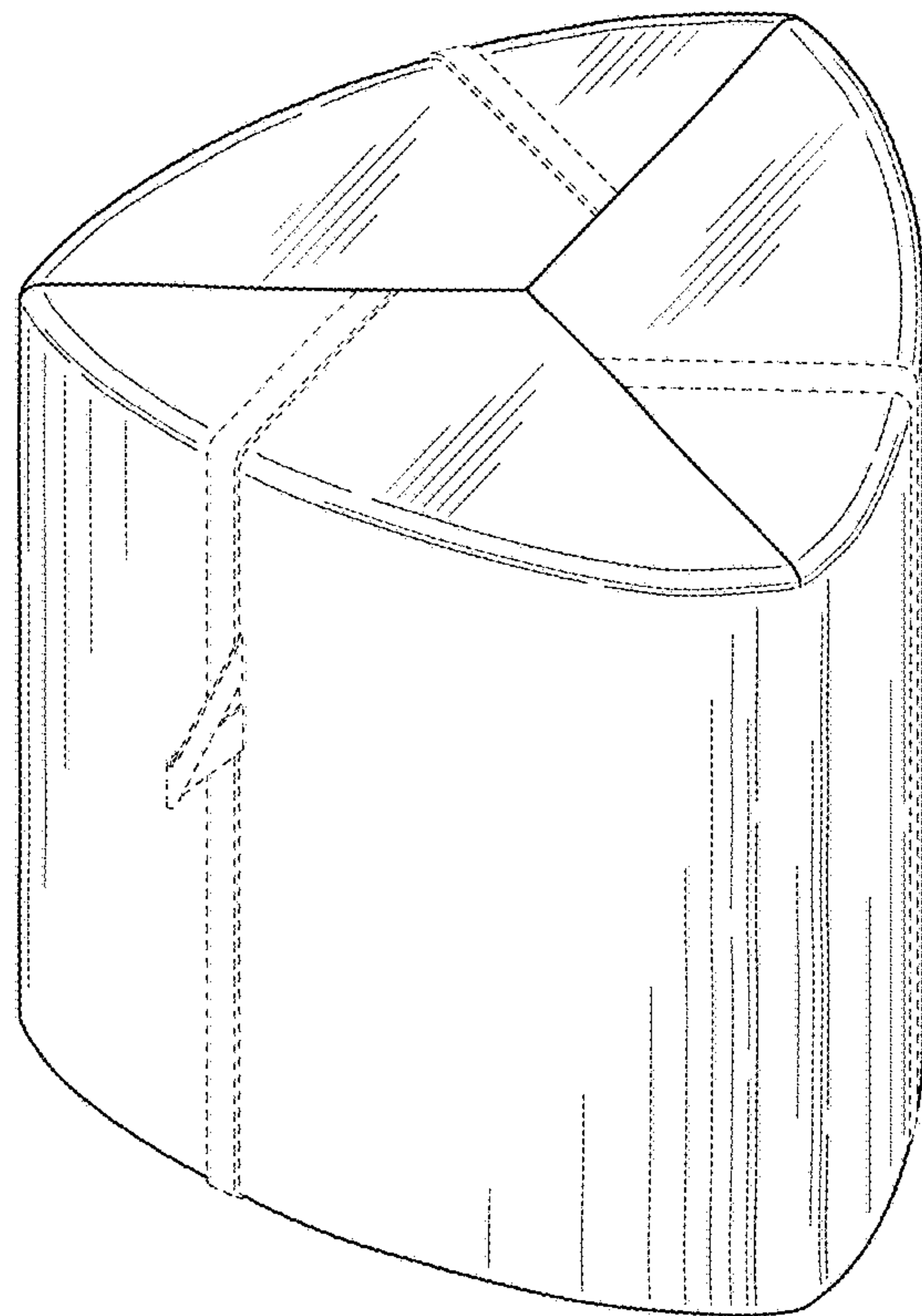


FIG. 1

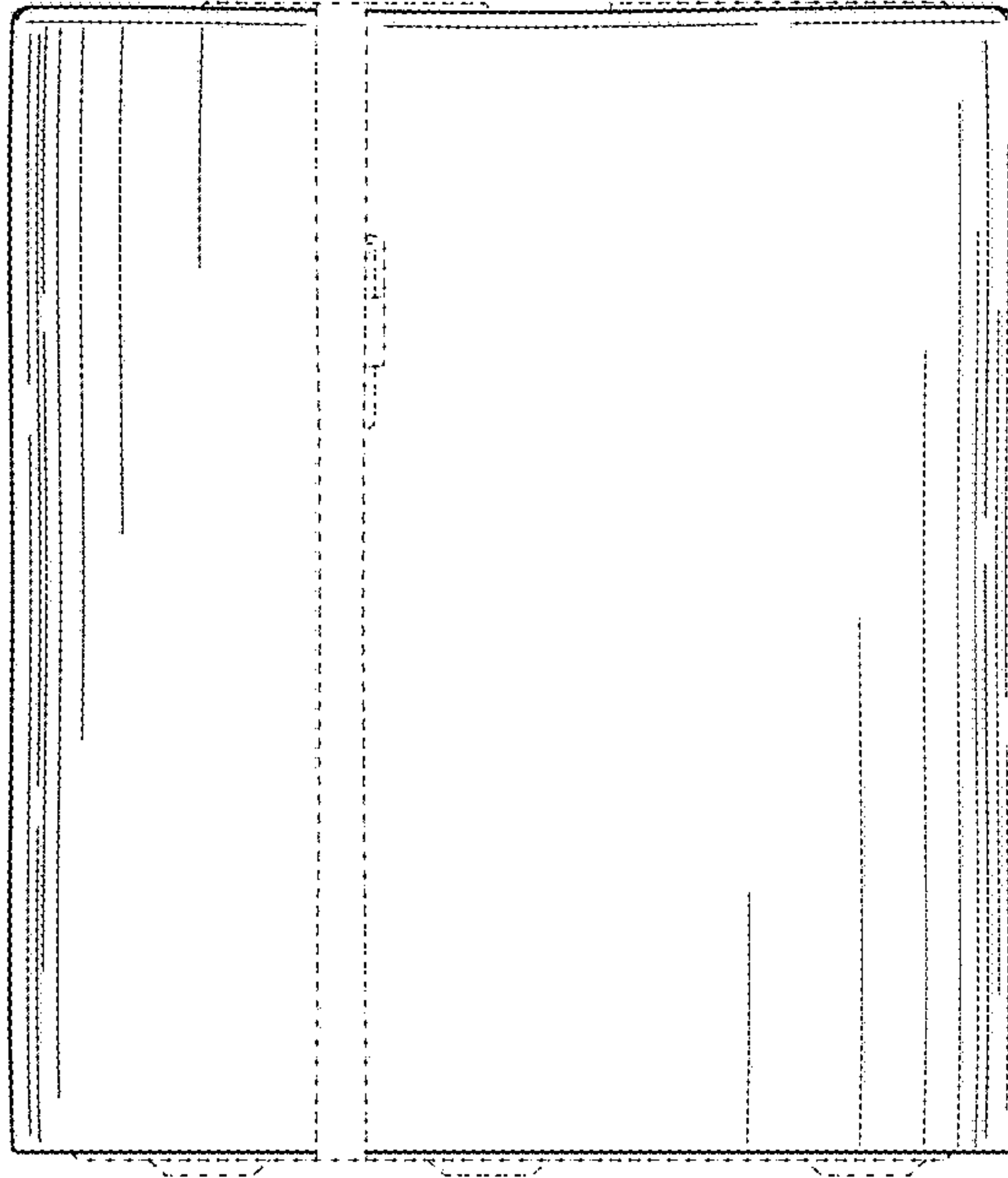


FIG. 2

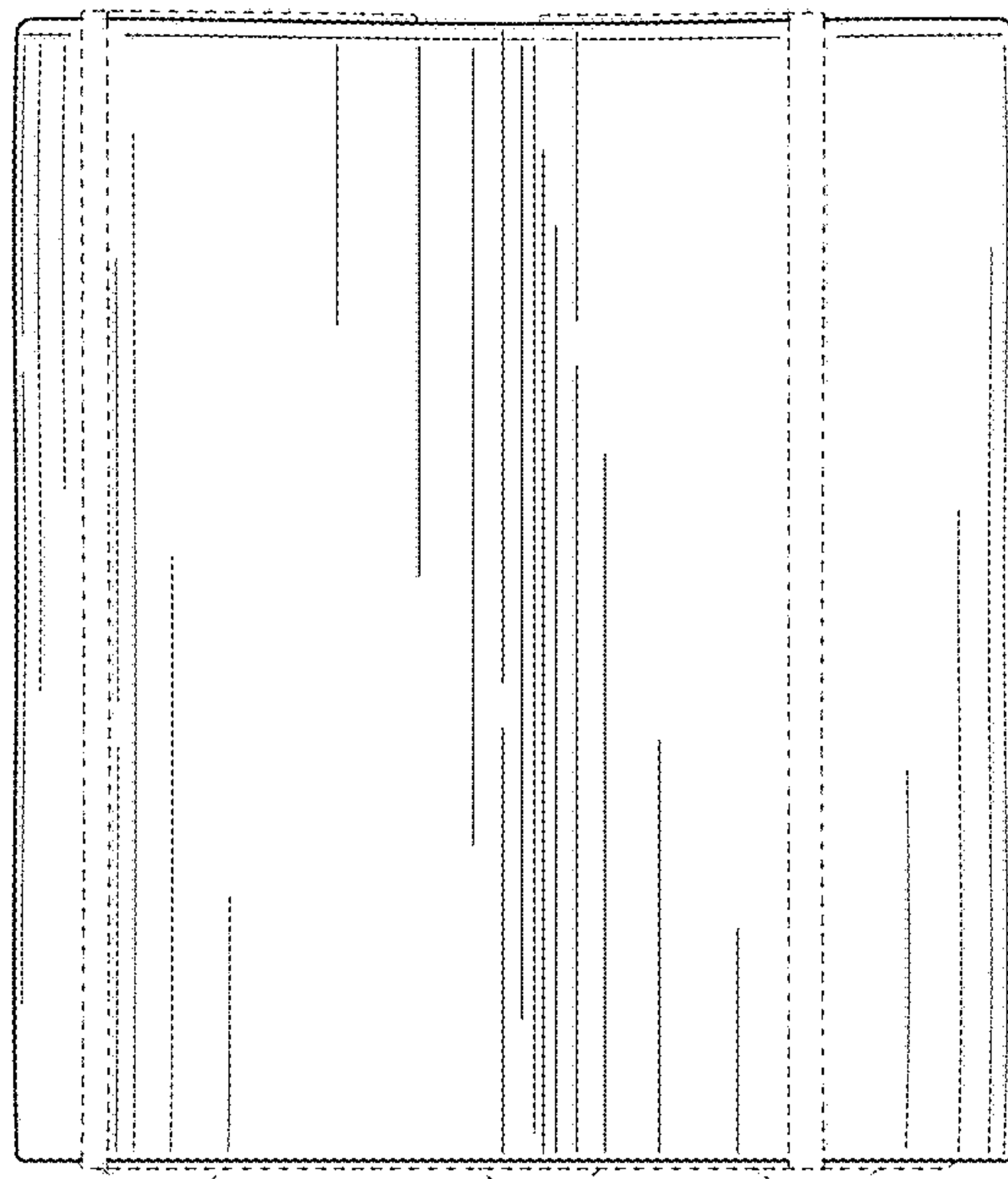


FIG. 3

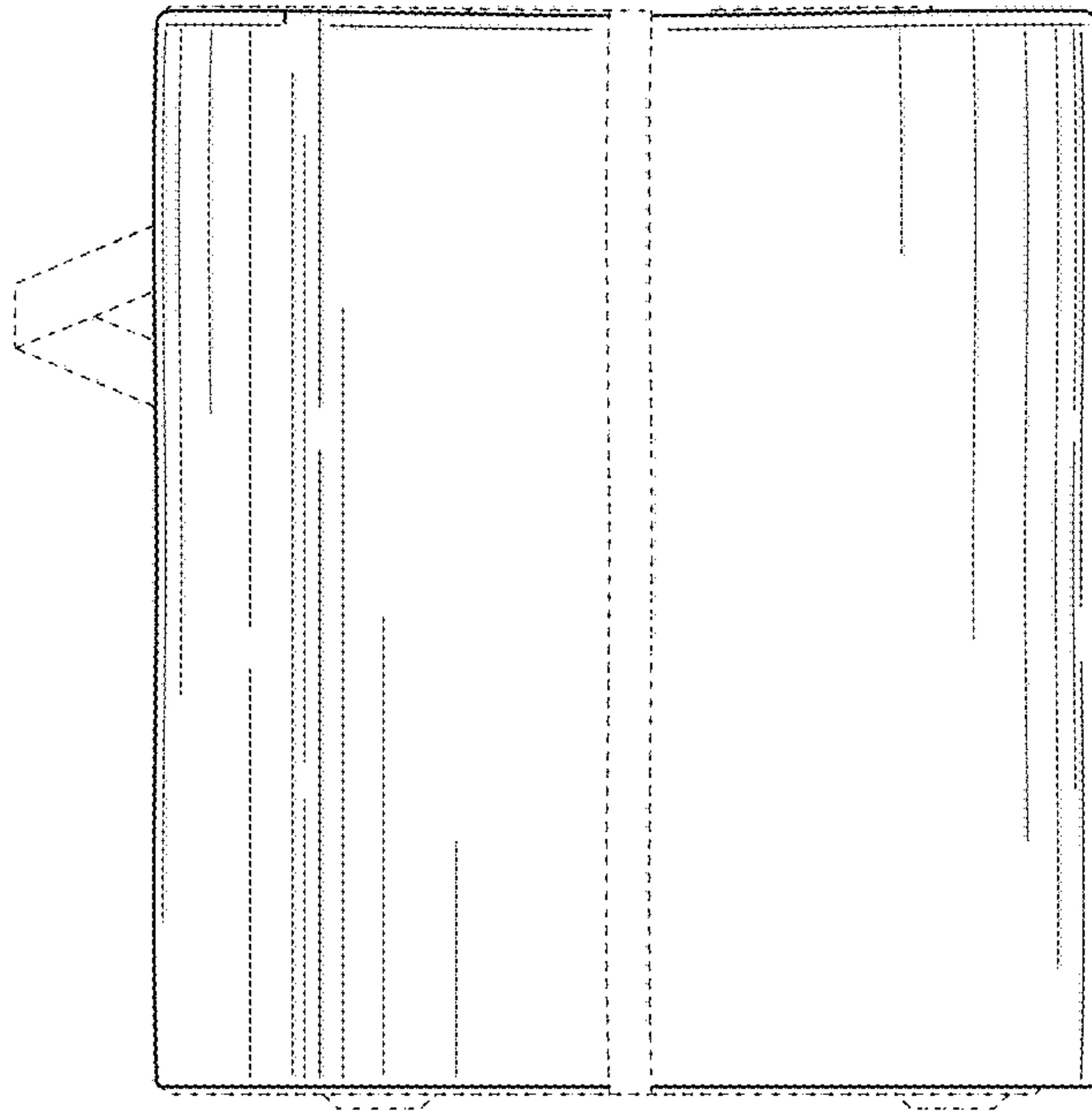


FIG. 4

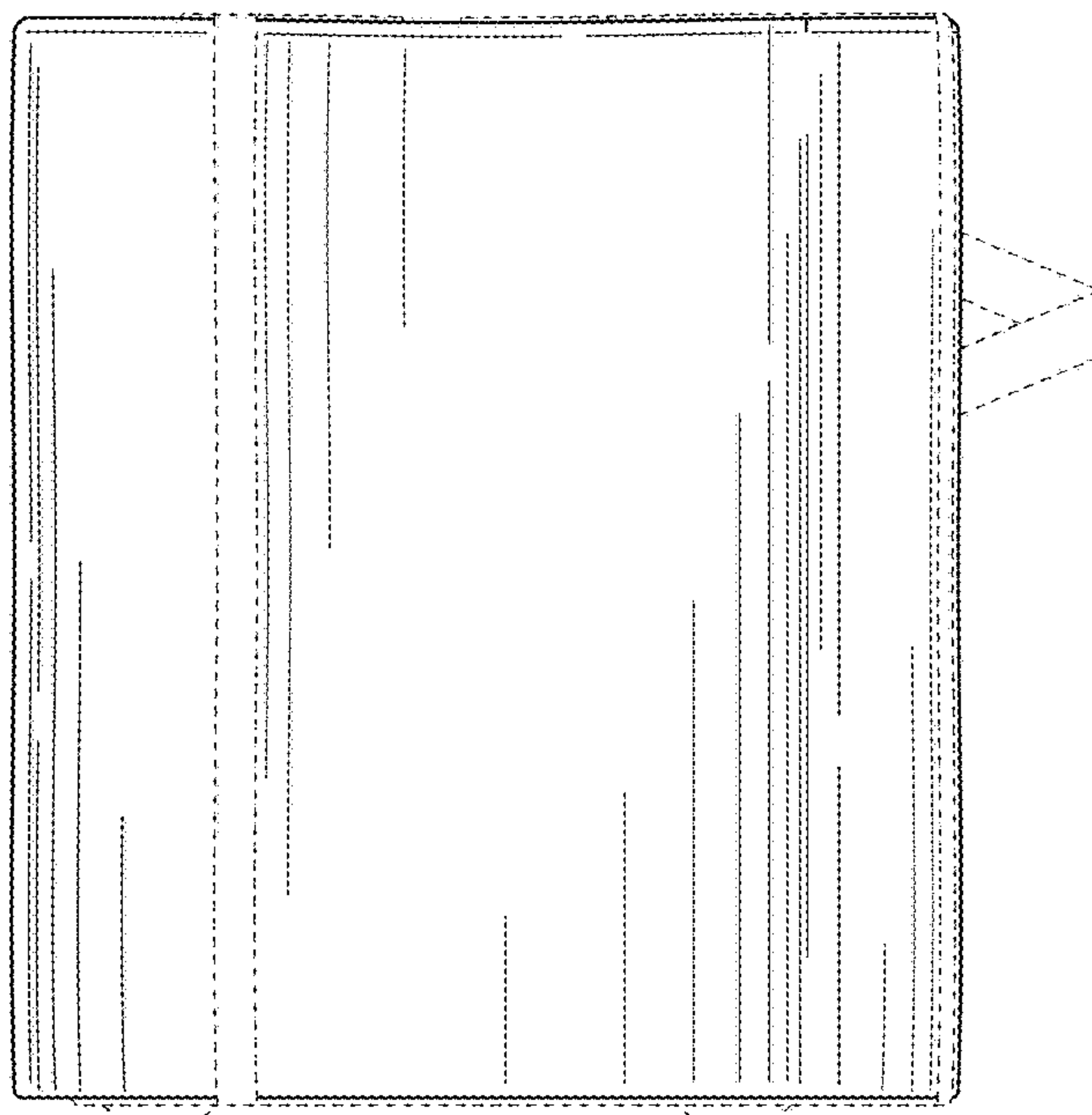


FIG. 5

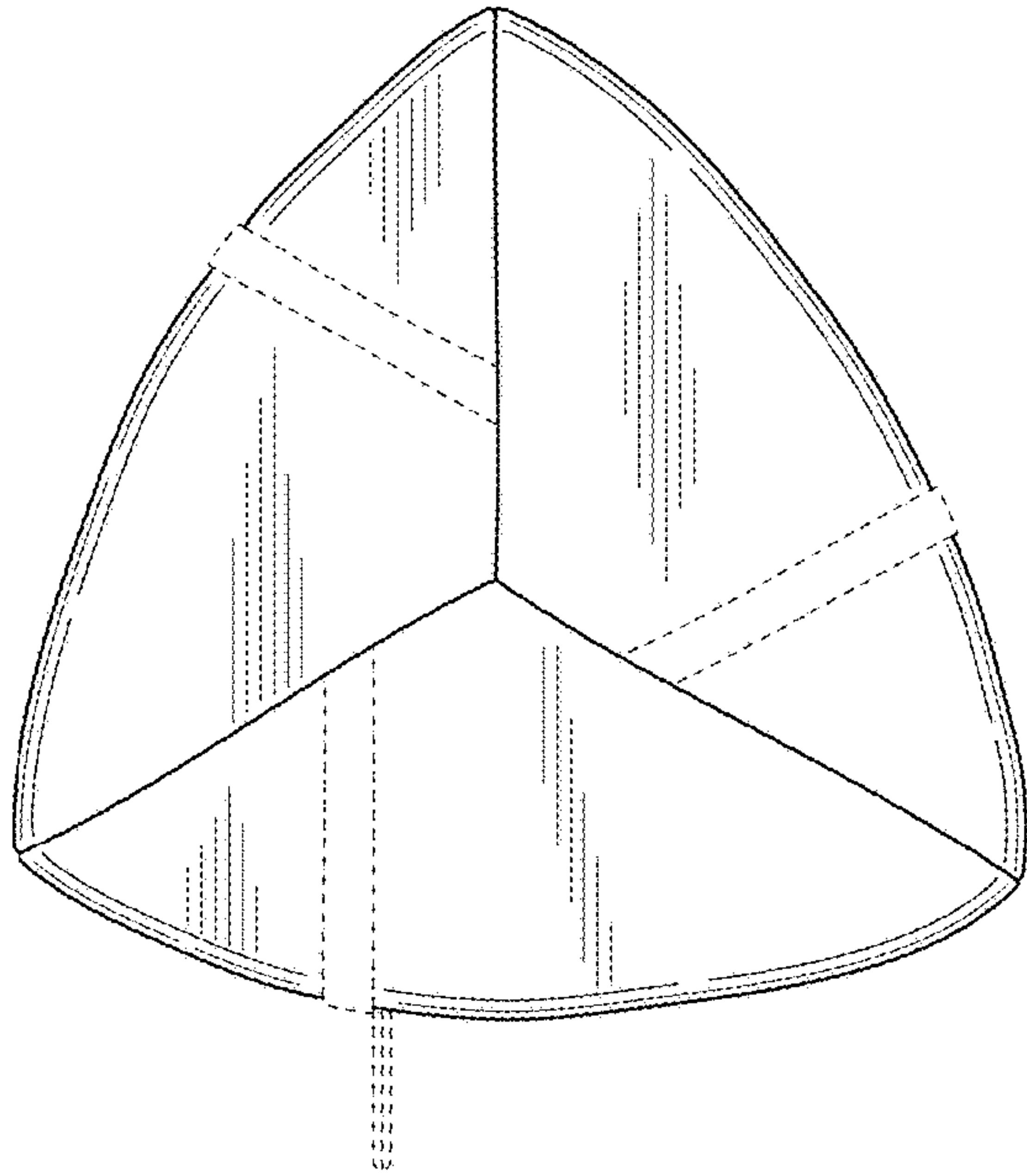


FIG. 6

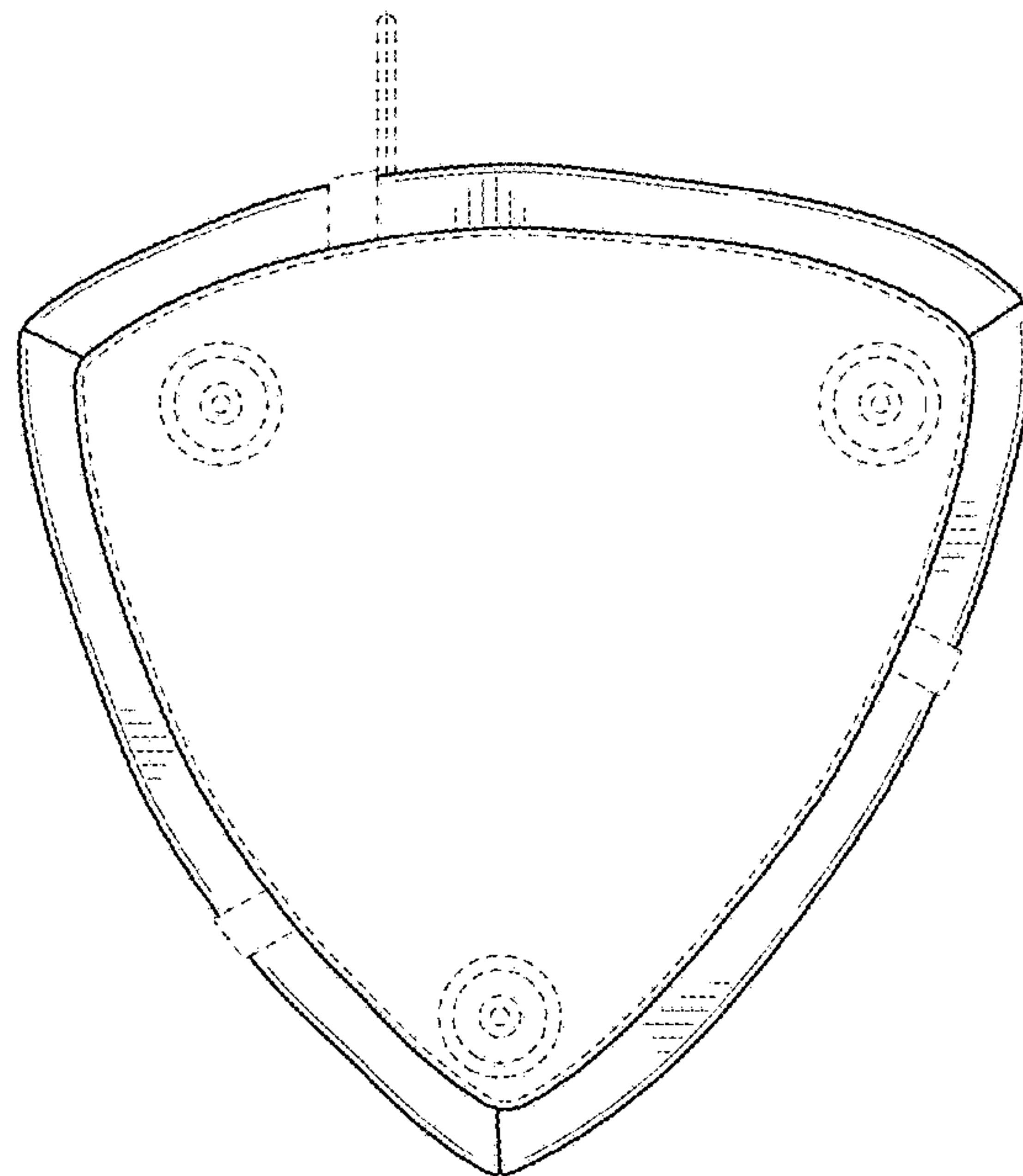


FIG. 7