



US00D856011S

(12) **United States Design Patent**
Hawkins

(10) **Patent No.:** **US D856,011 S**

(45) **Date of Patent:** **** Aug. 13, 2019**

(54) **BENCH**

(71) Applicant: **Jack Hawkins**, Reno, NV (US)

(72) Inventor: **Jack Hawkins**, Reno, NV (US)

(**) Term: **15 Years**

(21) Appl. No.: **29/640,745**

(22) Filed: **Mar. 16, 2018**

(51) **LOC (12) Cl.** **06-01**

(52) **U.S. Cl.**
USPC **D6/349**

(58) **Field of Classification Search**
USPC D6/334-338, 340-343, 349-353, 355,
D6/364-365, 691-691.9, 692-692.6;
D25/65

CPC A47B 7/00-02; A47C 11/00; A47C 13/00;
A47C 16/00; A47C 16/02-04; A47C
9/00-105; A47C 17/02; A47C 17/028

See application file for complete search history.

(56) **References Cited**

U.S. PATENT DOCUMENTS

D243,730 S * 3/1977 Koenig D25/123
D518,301 S * 4/2006 Ng D6/335

D620,723 S * 8/2010 Parson D6/381
D623,427 S * 9/2010 Parson D6/334
D639,083 S * 6/2011 Martin D6/381
D675,453 S * 2/2013 Blet D6/335
D688,475 S * 8/2013 Blet D6/349
D727,049 S * 4/2015 Xiong D6/371
D742,134 S * 11/2015 Miller D6/381
D794,344 S * 8/2017 MacAllen D6/335
D829,009 S * 9/2018 MacAllen D6/335

* cited by examiner

Primary Examiner — Vy N Koenig

(74) *Attorney, Agent, or Firm* — Ian Burns; ATIP Law

(57) **CLAIM**

The ornamental design for a bench, as shown and described.

DESCRIPTION

FIG. 1 is a perspective view of a bench showing my new design.

FIG. 2 is a front elevational view thereof.

FIG. 3 is a rear elevational view thereof.

FIG. 4 is a top plan view thereof.

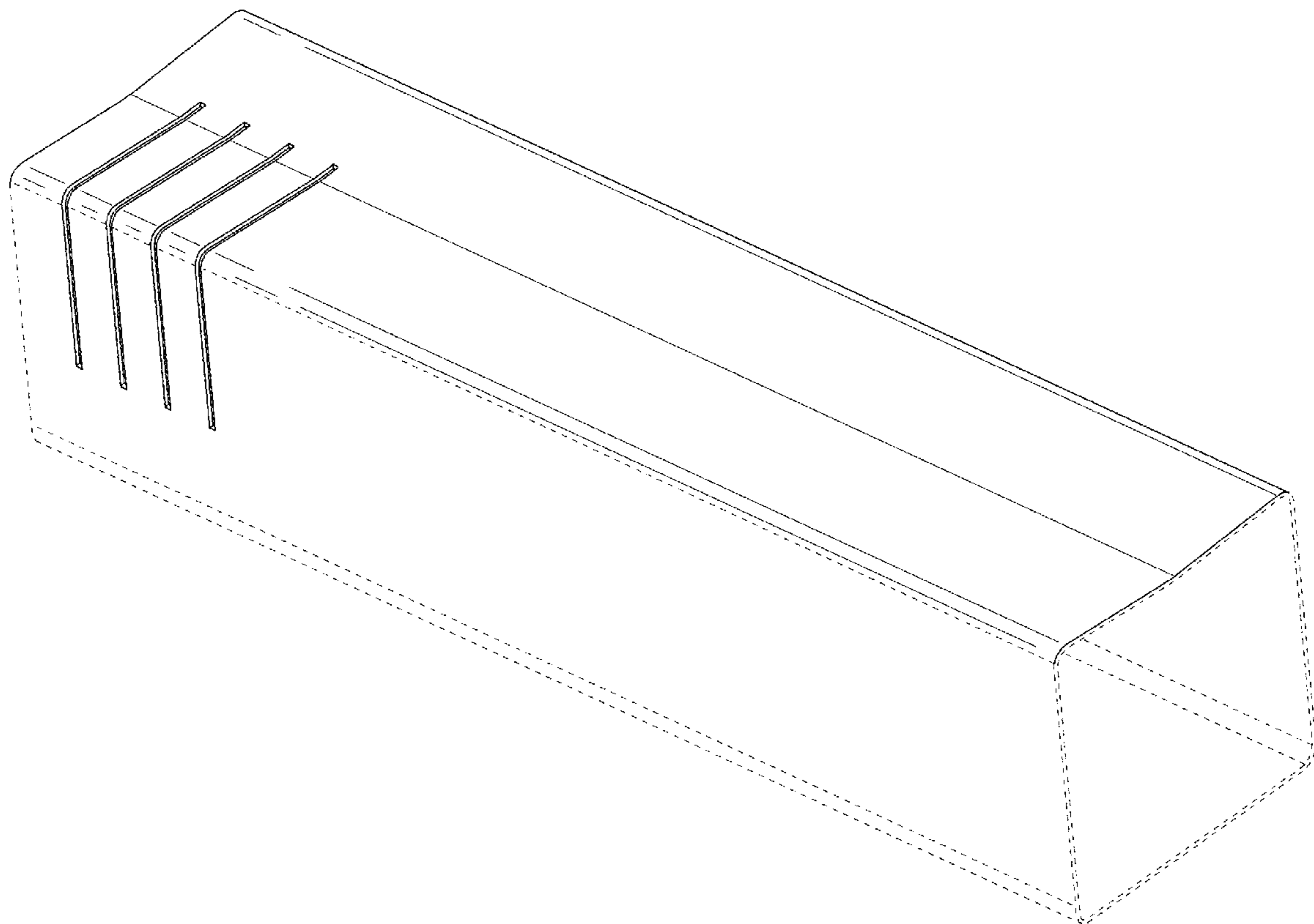
FIG. 5 is a bottom plan view thereof.

FIG. 6 is a left side elevational view thereof; and,

FIG. 7 is a right side elevational view thereof.

Broken lines in the drawings illustrate features of the bench or environmental components that form no part of the claimed design.

1 Claim, 4 Drawing Sheets



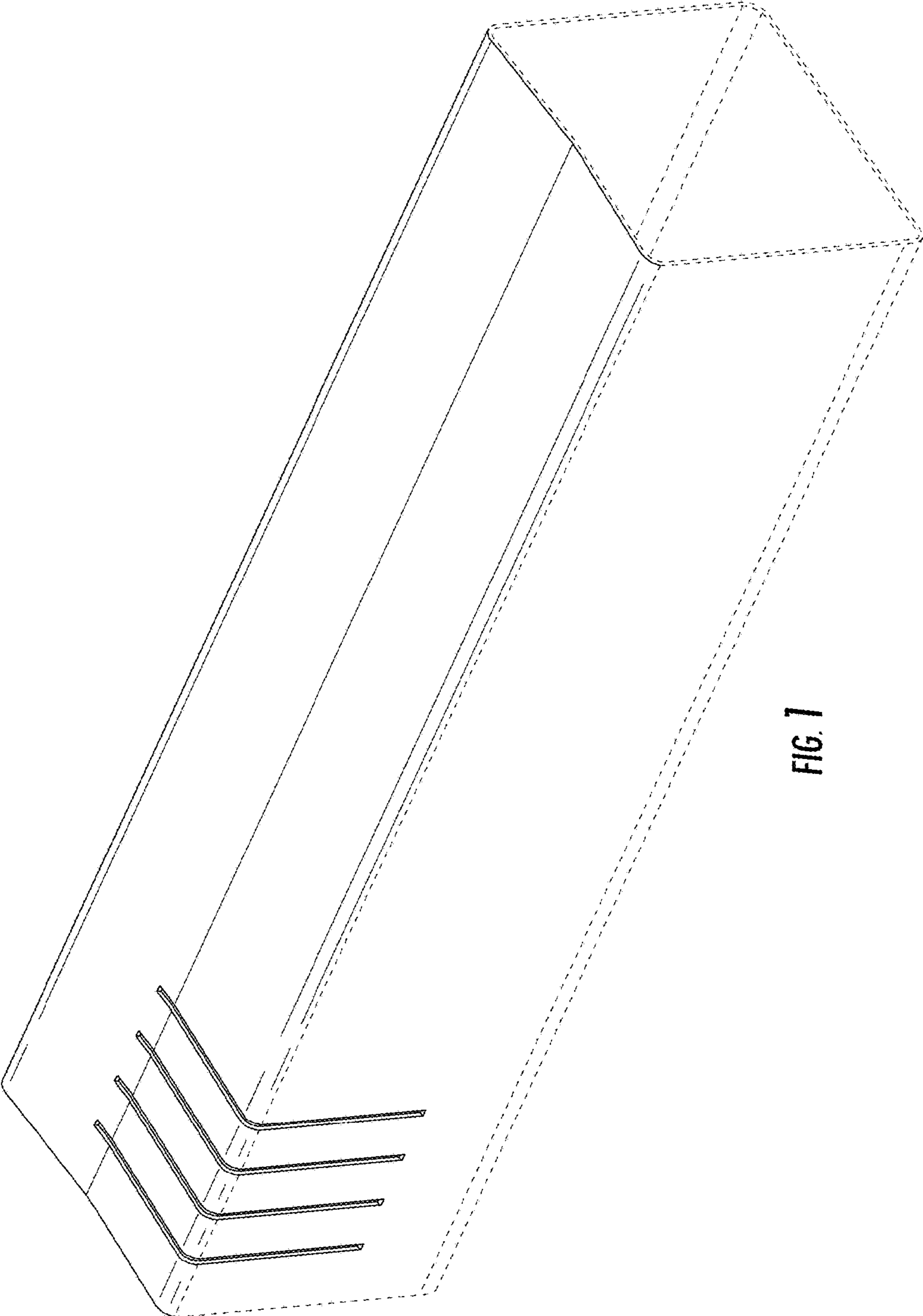


FIG. 1

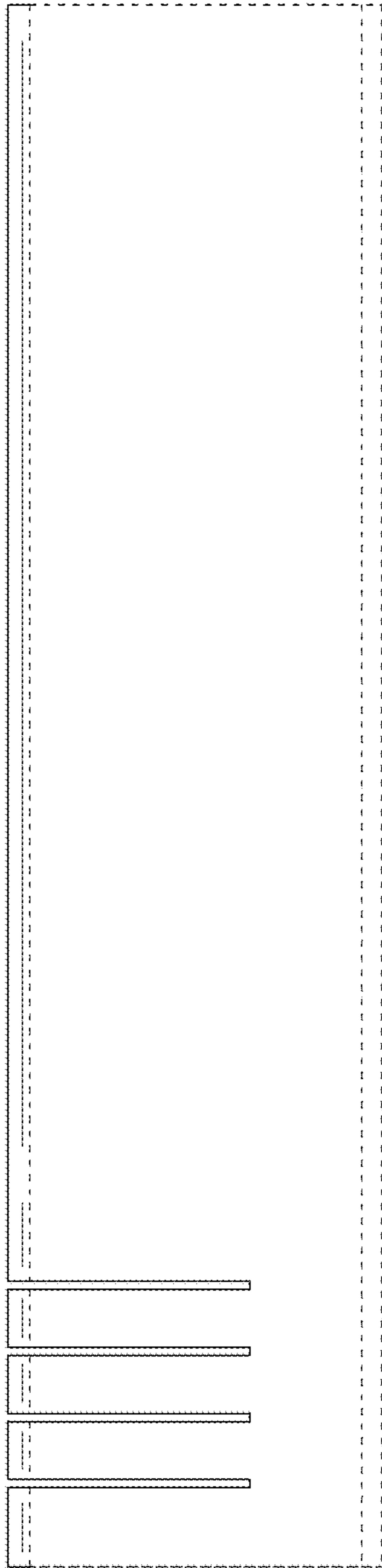


FIG. 2

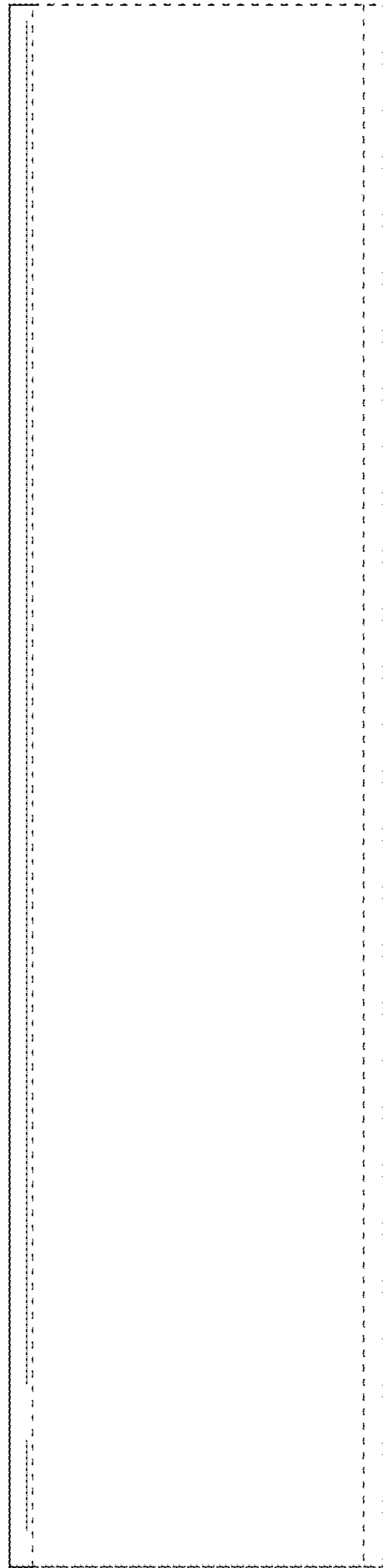


FIG. 3

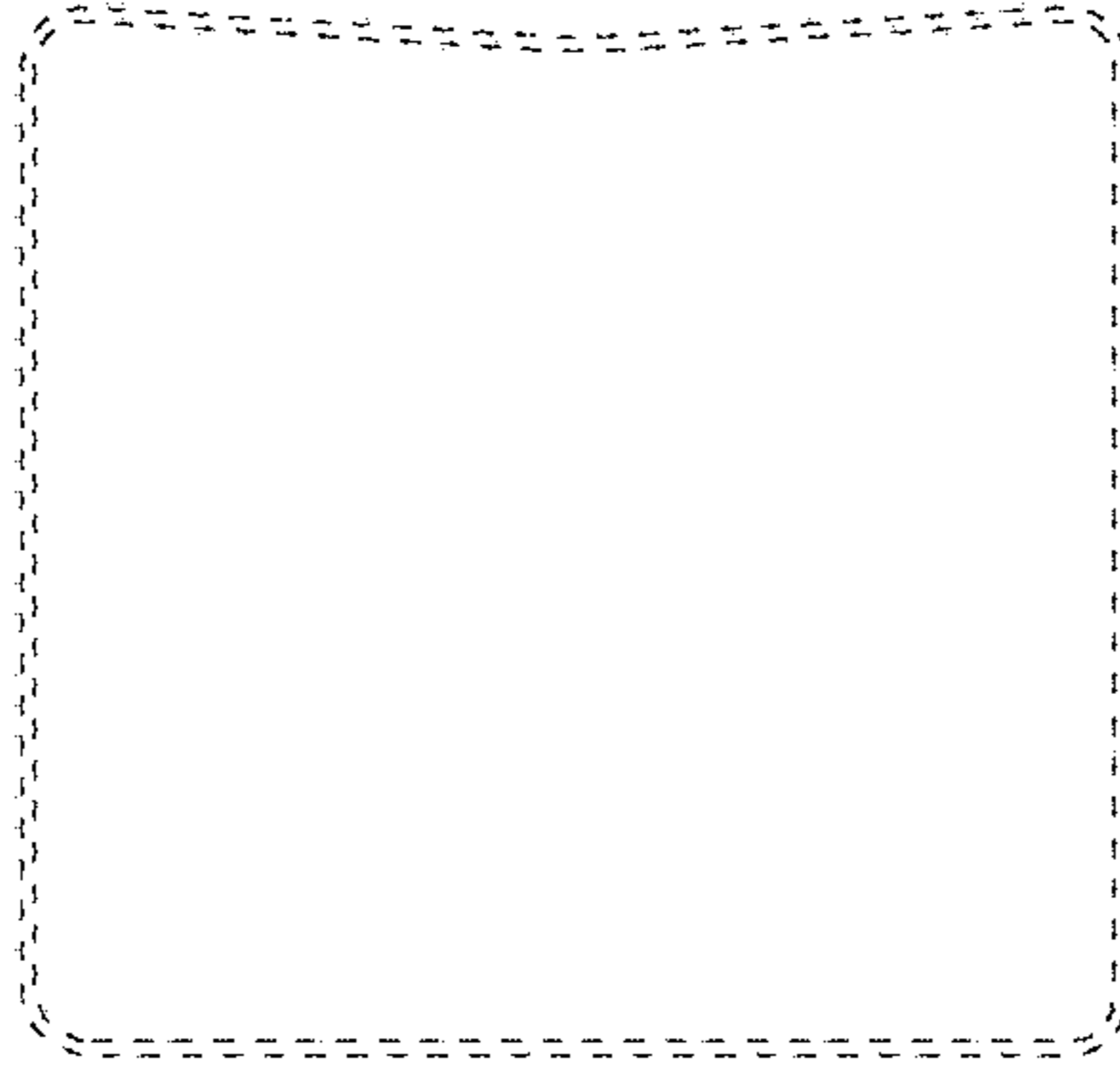


FIG. 4

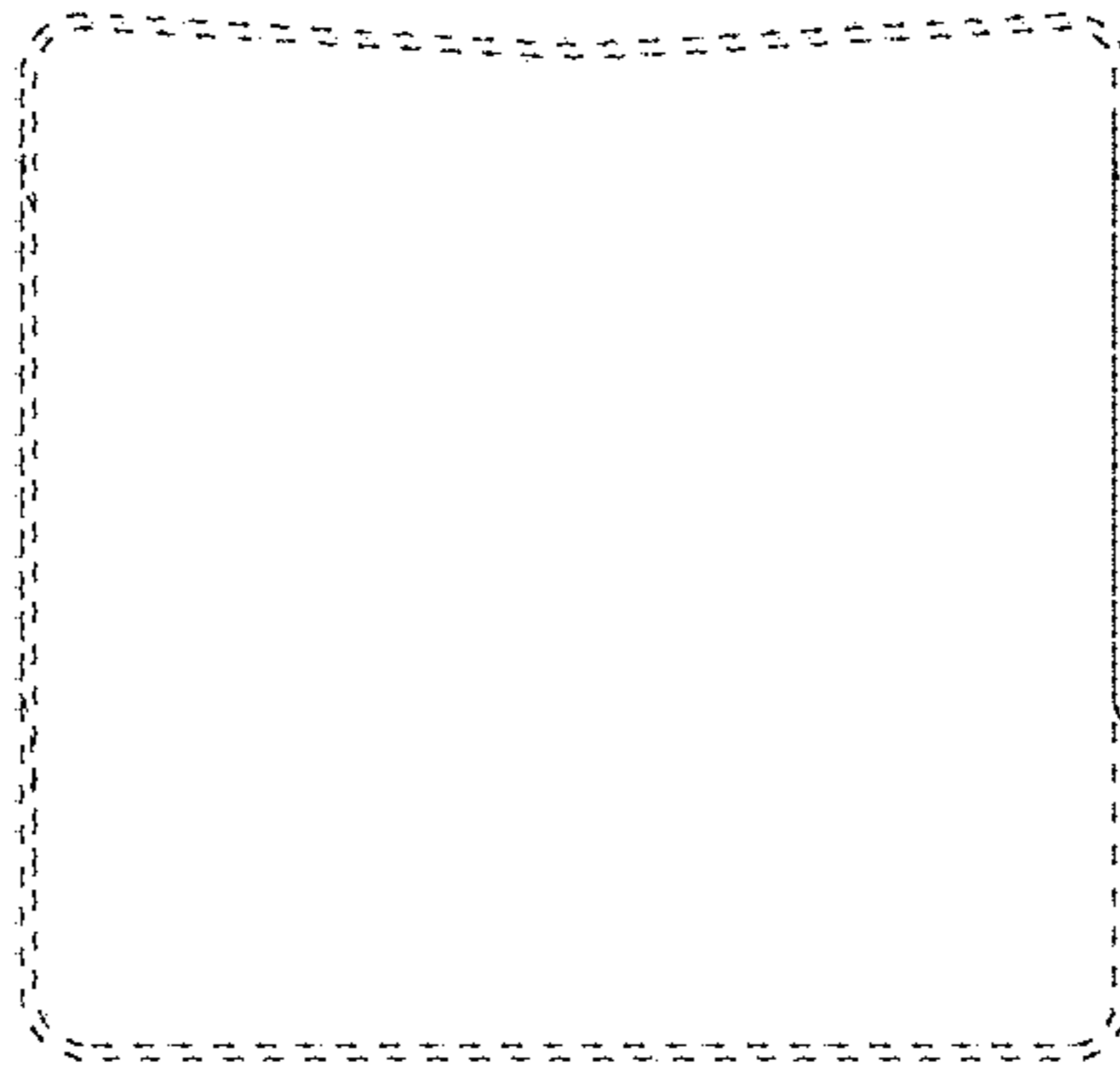


FIG. 5

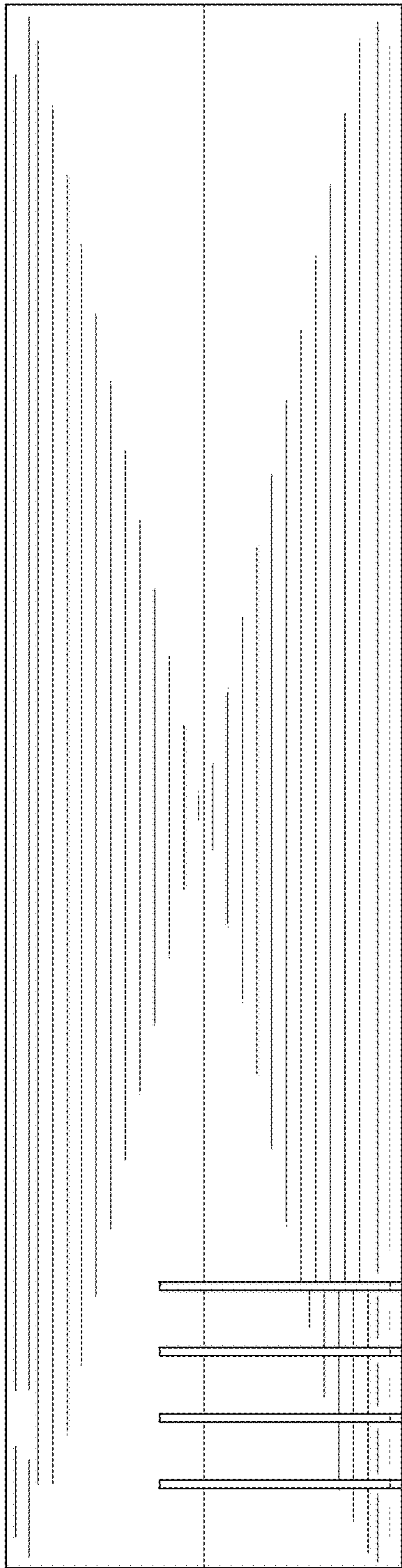


FIG. 6

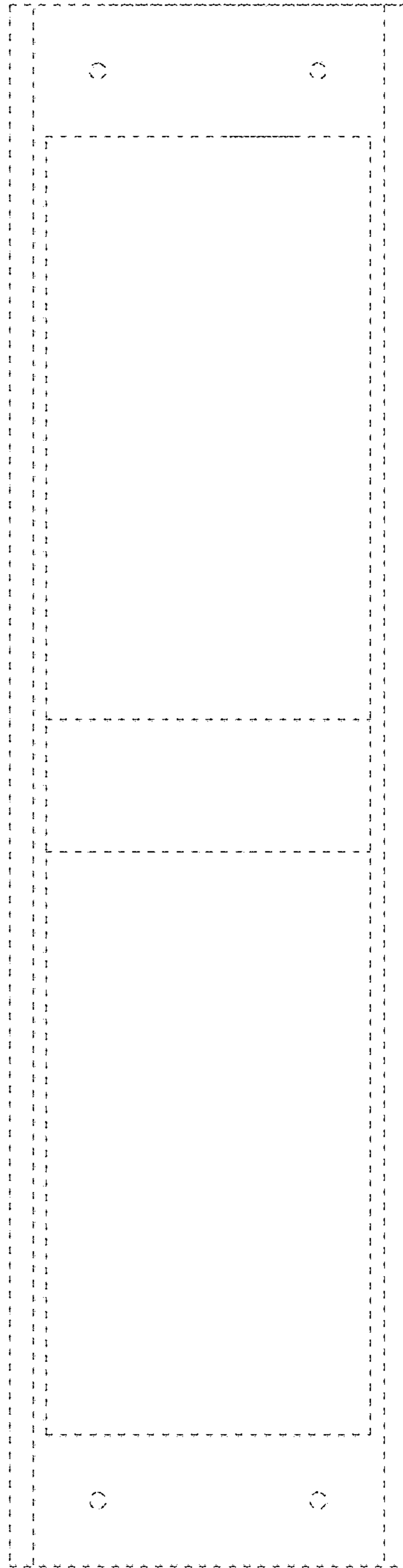


FIG. 7