



US00D856009S

(12) **United States Design Patent**  
**Roebuck**

(10) **Patent No.:** **US D856,009 S**

(45) **Date of Patent:** **\*\* Aug. 13, 2019**

(54) **HANGER ADAPTER**

(71) Applicant: **Ellen Roebuck**, Los Angeles, CA (US)

(72) Inventor: **Ellen Roebuck**, Los Angeles, CA (US)

(\*\*) Term: **15 Years**

(21) Appl. No.: **29/640,904**

(22) Filed: **Mar. 19, 2018**

(51) **LOC (12) Cl.** ..... **06-08**

(52) **U.S. Cl.**  
USPC ..... **D6/328**

(58) **Field of Classification Search**  
USPC ..... D6/315-328  
CPC ..... A47G 25/26; A47G 25/30; A47G 25/20;  
A47G 25/183; A47G 25/186  
See application file for complete search history.

(56) **References Cited**

U.S. PATENT DOCUMENTS

2,037,325	A *	4/1936	Hoehn	.....	A47G 25/26 223/88
2,089,077	A *	8/1937	Todd	.....	A47G 25/26 223/88
2,374,330	A *	4/1945	Coney	.....	A47G 25/26 223/88
2,510,043	A *	5/1950	Tillery	.....	A47G 25/26 223/88
2,550,167	A *	4/1951	Simmons	.....	A47G 25/26 223/88
2,641,391	A *	6/1953	Tillery	.....	A47G 25/26 223/88
2,665,829	A *	1/1954	Tillery	.....	A47G 25/26 223/98
2,687,243	A *	8/1954	Rasmussen	.....	A47G 25/26 223/98
2,710,124	A *	6/1955	Laumeyer	.....	A47G 25/26 223/88
2,739,745	A *	3/1956	Tufts	.....	A47G 25/26 223/98

2,819,829	A *	1/1958	Gensmer	.....	A47G 25/26 223/98
2,859,903	A *	11/1958	Tufts	.....	A47G 25/26 223/98
3,071,298	A *	1/1963	Tufts	.....	A47G 25/30 223/98

(Continued)

*Primary Examiner* — Lauren R Calve

(74) *Attorney, Agent, or Firm* — Dunlap Bennett & Ludwig PLLC

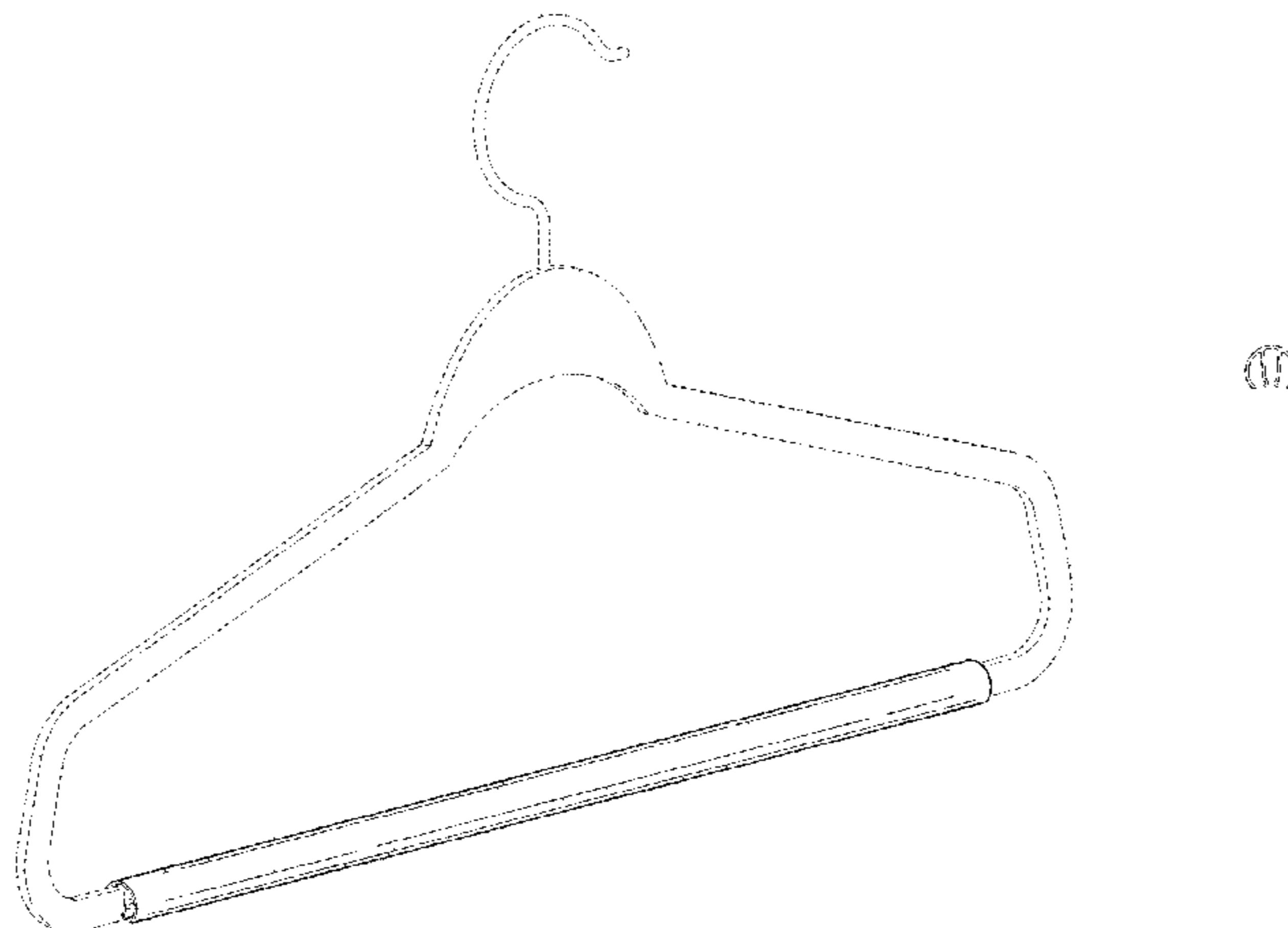
(57) **CLAIM**

The ornamental design for a hanger adapter, as shown and described.

**DESCRIPTION**

FIG. 1 is a front perspective view of a hanger adapter shown in environmental use;  
 FIG. 2 is a front perspective view of the hanger adapter of FIG. 1;  
 FIG. 3 is a front elevation view thereof, the rear elevation view being an identical image thereof;  
 FIG. 4 is a left side elevation view thereof, the right side elevation view being an identical image thereof;  
 FIG. 5 is a top plan view thereof;  
 FIG. 6 is a bottom plan thereof;  
 FIG. 7 is a front perspective view of a second embodiment of a hanger adapter shown in environmental use;  
 FIG. 8 is a front perspective view of the hanger adapter of FIG. 7;  
 FIG. 9 is a front elevation view thereof, the rear elevation view being an identical image thereof;  
 FIG. 10 is a left side elevation view thereof, the right side elevation view being an identical image thereof;  
 FIG. 11 is a top plan view thereof; and,  
 FIG. 12 is a bottom plan thereof.  
 The broken lines shown in the drawings depict a clothes hanger that forms no part of the claimed invention.

**1 Claim, 6 Drawing Sheets**



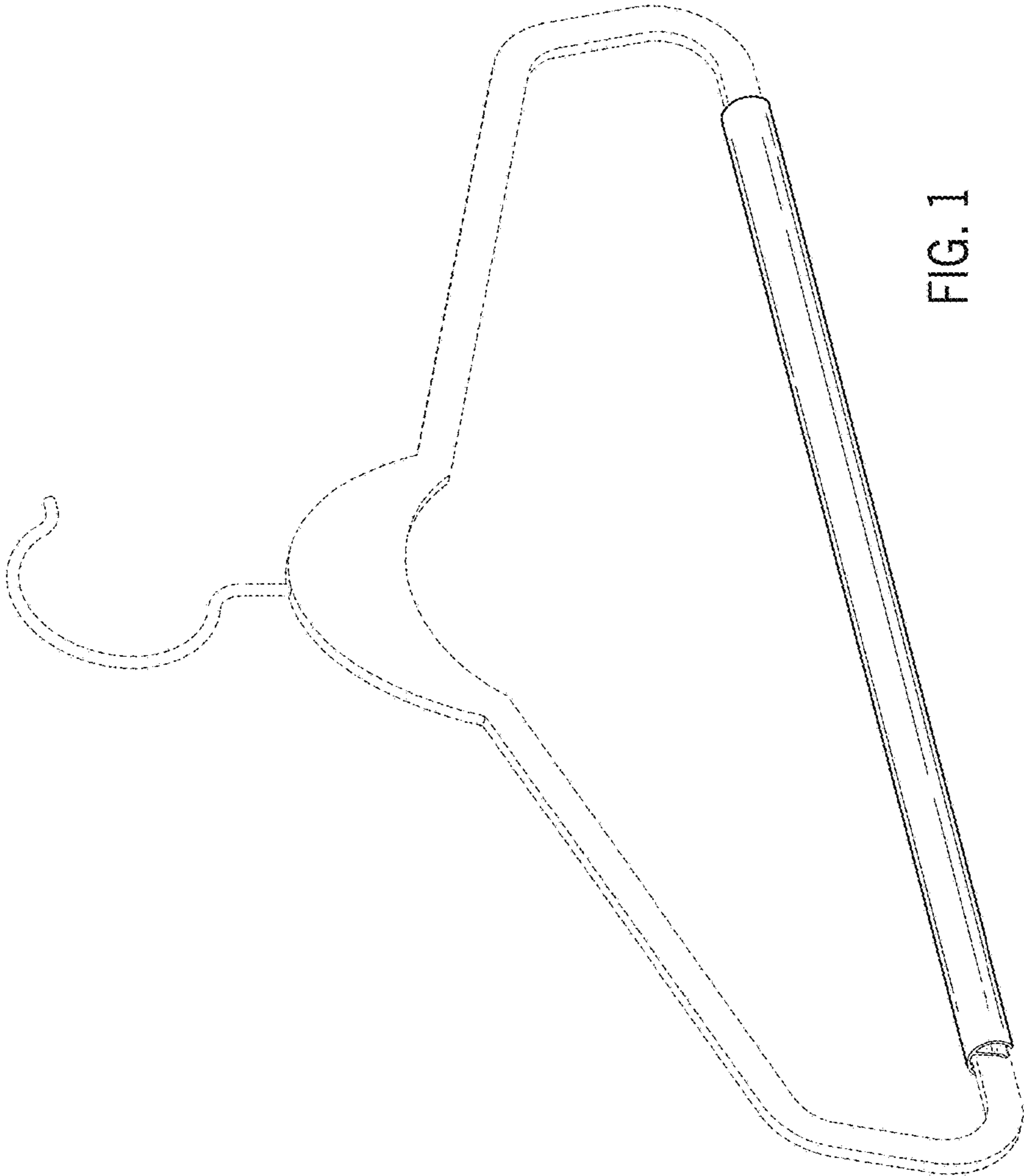
(56)

**References Cited**

U.S. PATENT DOCUMENTS

3,157,324	A *	11/1964	Barnes .....	A47G 25/26 223/88
3,189,236	A *	6/1965	Tillery .....	A47G 25/26 223/98
3,963,155	A *	6/1976	Bish .....	A47G 25/30 223/88
6,126,049	A *	10/2000	Gish .....	A47G 25/26 223/96
D459,900	S *	7/2002	Gustafson .....	D6/328
D505,020	S *	5/2005	Fischer .....	D6/328
D515,828	S *	2/2006	Fischer .....	D6/328
D524,558	S *	7/2006	Fischer .....	D6/328
D536,182	S *	2/2007	Fischer .....	D6/328
D538,053	S	3/2007	Fischer	
D563,110	S	3/2008	Mangano	
D640,876	S *	7/2011	Cohen .....	D6/319
D650,595	S *	12/2011	Ruminson .....	D6/328
D667,724	S	9/2012	Mangano	
RE45,533	E *	6/2015	Cohen .....	D6/319
D737,581	S *	9/2015	Li .....	D6/319
2003/0136806	A1 *	7/2003	Mainetti .....	A47G 25/28 223/85
2008/0272158	A1 *	11/2008	Lee .....	A47G 25/20 223/98

\* cited by examiner



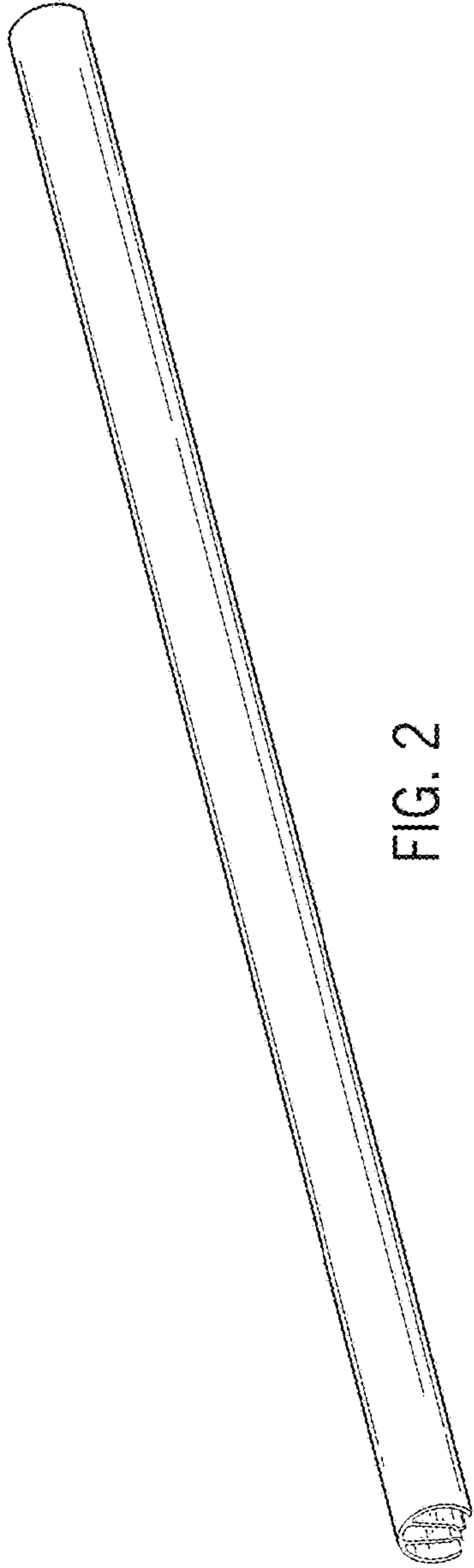


FIG. 2



FIG. 3



FIG. 4



FIG. 5



FIG. 6

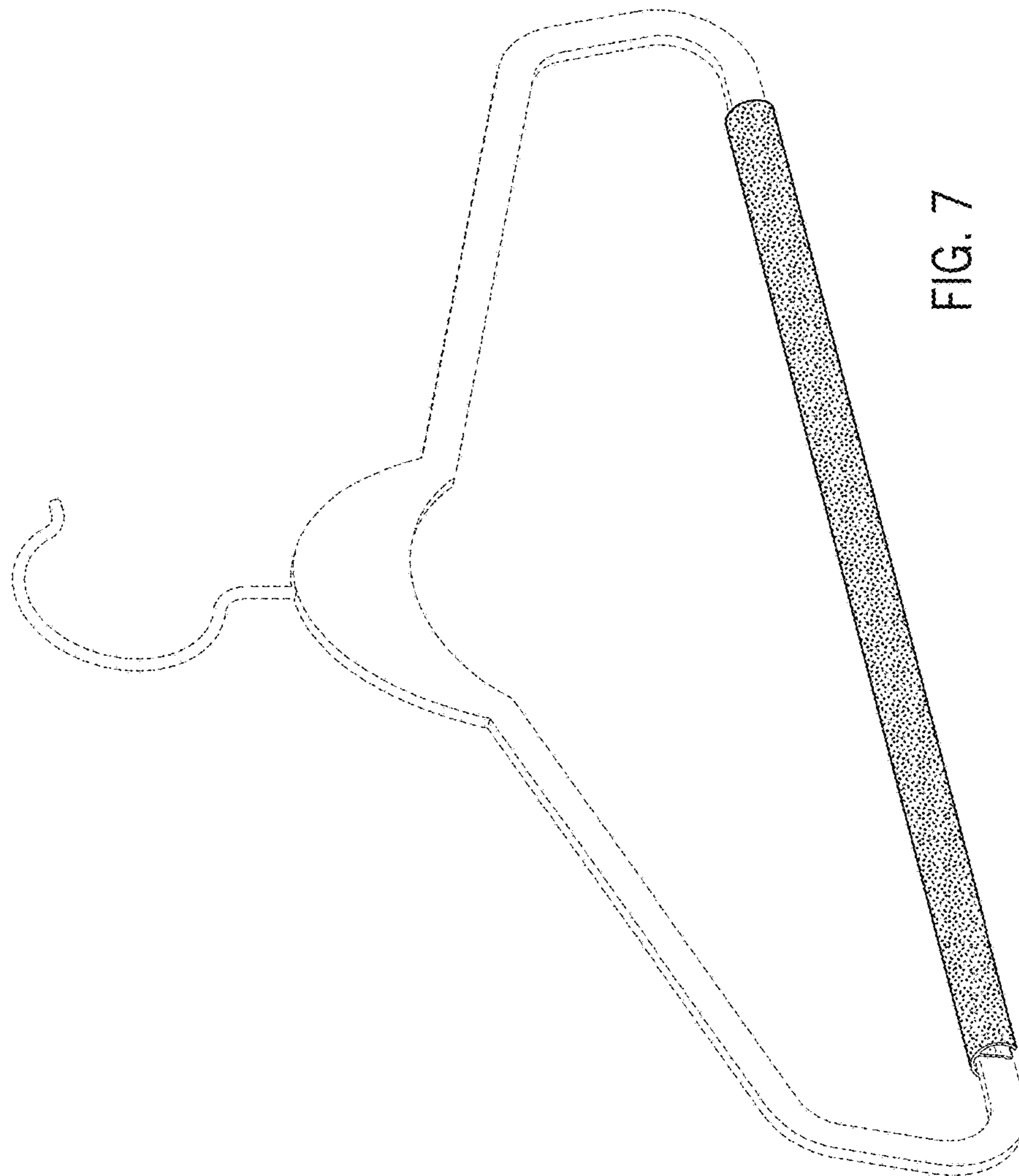


FIG. 7

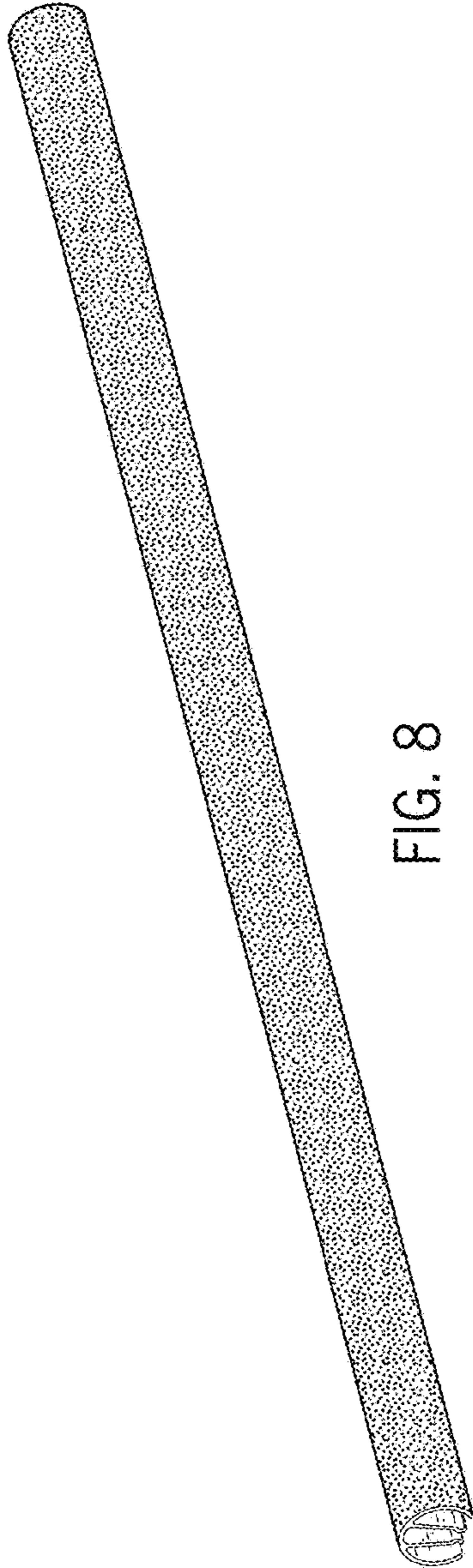


FIG. 8



FIG. 9



FIG. 10

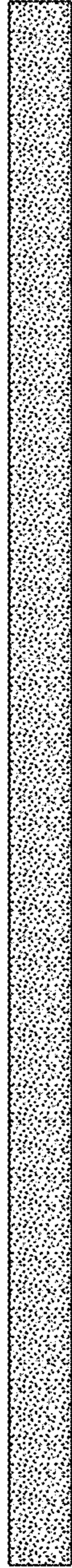


FIG. 11



FIG. 12