



US00D856002S

(12) **United States Design Patent**  
**Daqing**

(10) **Patent No.:** **US D856,002 S**

(45) **Date of Patent:** **\*\* Aug. 13, 2019**

(54) **COMBINATION GRILL BRUSH AND  
SCRAPER**

(71) Applicant: **Xu Daqing**, Shenzhen (CN)

(72) Inventor: **Xu Daqing**, Shenzhen (CN)

(\*\*) Term: **15 Years**

(21) Appl. No.: **29/650,278**

(22) Filed: **Jun. 5, 2018**

(51) **LOC (12) Cl.** ..... **04-01**

(52) **U.S. Cl.**  
USPC ..... **D4/131**

(58) **Field of Classification Search**  
USPC ..... D4/119, 129, 131, 132, 138; D7/393,  
D7/395, 401.2; D8/107; D32/51, 52;  
15/27, 106, 143.1, 159.1, 160, 164, 206  
CPC ..... A46B 3/00; A46B 3/18; A46B 5/0004;  
A46B 5/0012; A46B 5/02; A46B 5/021;  
A46B 2200/00; A46B 2200/30; A46B  
2200/3006; A46B 2200/3033; A46B  
2200/304; A46B 2200/3093  
See application file for complete search history.

(56) **References Cited**

U.S. PATENT DOCUMENTS

D652,629 S *	1/2012	Zemel	.....	D4/120
D654,272 S *	2/2012	Zemel	.....	D4/131
D658,894 S *	5/2012	Zemel	.....	D4/131
D663,125 S *	7/2012	Zemel	.....	D4/131
D664,771 S *	8/2012	Gunjian	.....	D4/131
D665,178 S *	8/2012	Zemel	.....	D4/131
D681,345 S *	5/2013	Wales	.....	D4/138
D748,399 S *	2/2016	Lu	.....	D4/118

D756,660 S *	5/2016	Zemel	.....	D4/120
D814,803 S *	4/2018	Zemel	.....	D4/131
D816,347 S *	5/2018	Zemel	.....	D4/131
D819,977 S *	6/2018	Zemel	.....	D4/131
D832,588 S *	11/2018	Zemel	.....	D4/119
D833,153 S *	11/2018	Zemel	.....	D4/118
D833,154 S *	11/2018	Zemel	.....	D4/119
D839,605 S *	2/2019	Zemel	.....	D4/131
D845,643 S *	4/2019	Gunjian	.....	D4/131

\* cited by examiner

*Primary Examiner* — Austin Murphy

(74) *Attorney, Agent, or Firm* — Pasadena Legal Group;  
Norman R. Van Treeck

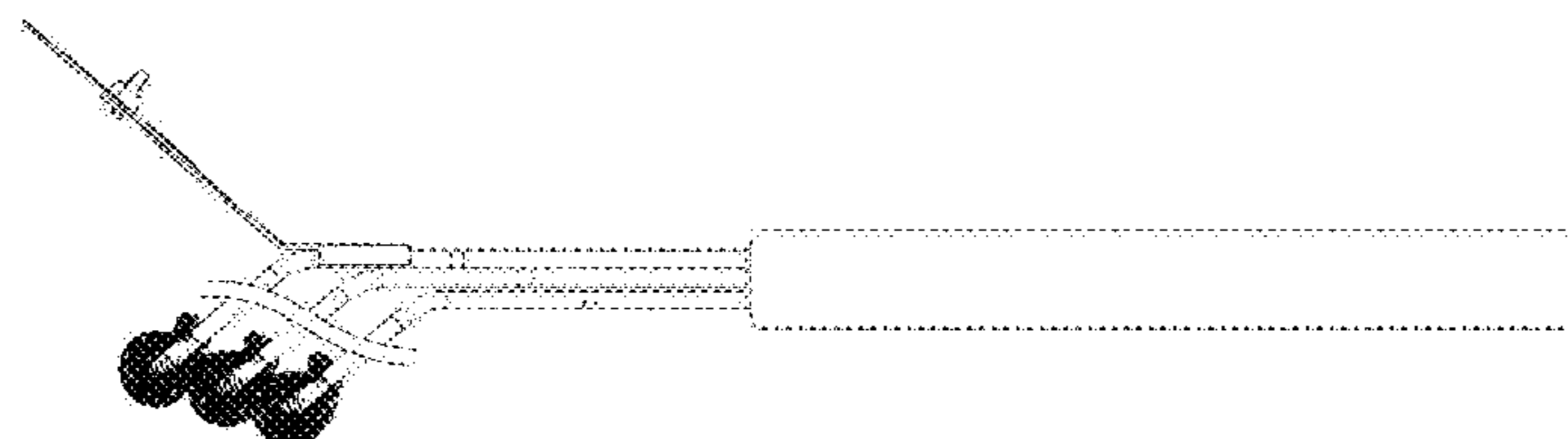
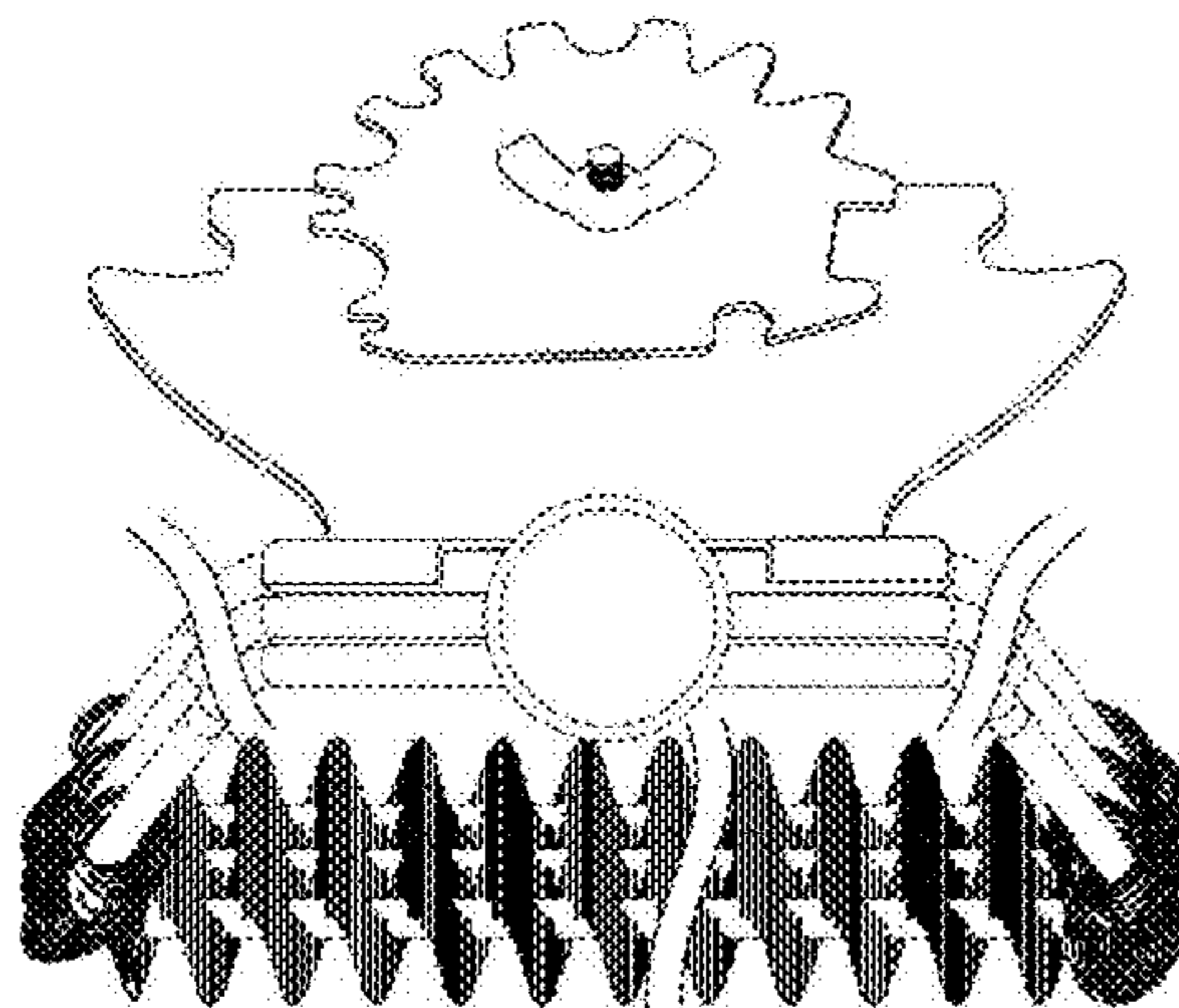
(57) **CLAIM**

The ornamental design of a combination grill brush and scraper, as shown and described.

**DESCRIPTION**

FIG. 1 is a front perspective view of a combination grill brush and scraper according to my new design;  
 FIG. 2 is an exploded front perspective view of a combination grill brush and scraper shown in FIG. 1;  
 FIG. 3 is a rear plan view of the combination grill brush and scraper shown in FIG. 1;  
 FIG. 4 is a front plan view of the combination grill brush and scraper shown in FIG. 1;  
 FIG. 5 is a left view of the combination grill brush and scraper shown in FIG. 1, where the right view is essentially the same;  
 FIG. 6 is a top plan view of the combination grill brush and scraper shown in FIG. 1; and,  
 FIG. 7 is a bottom plan view of a combination grill brush and scraper shown in FIG. 1.

**1 Claim, 4 Drawing Sheets**



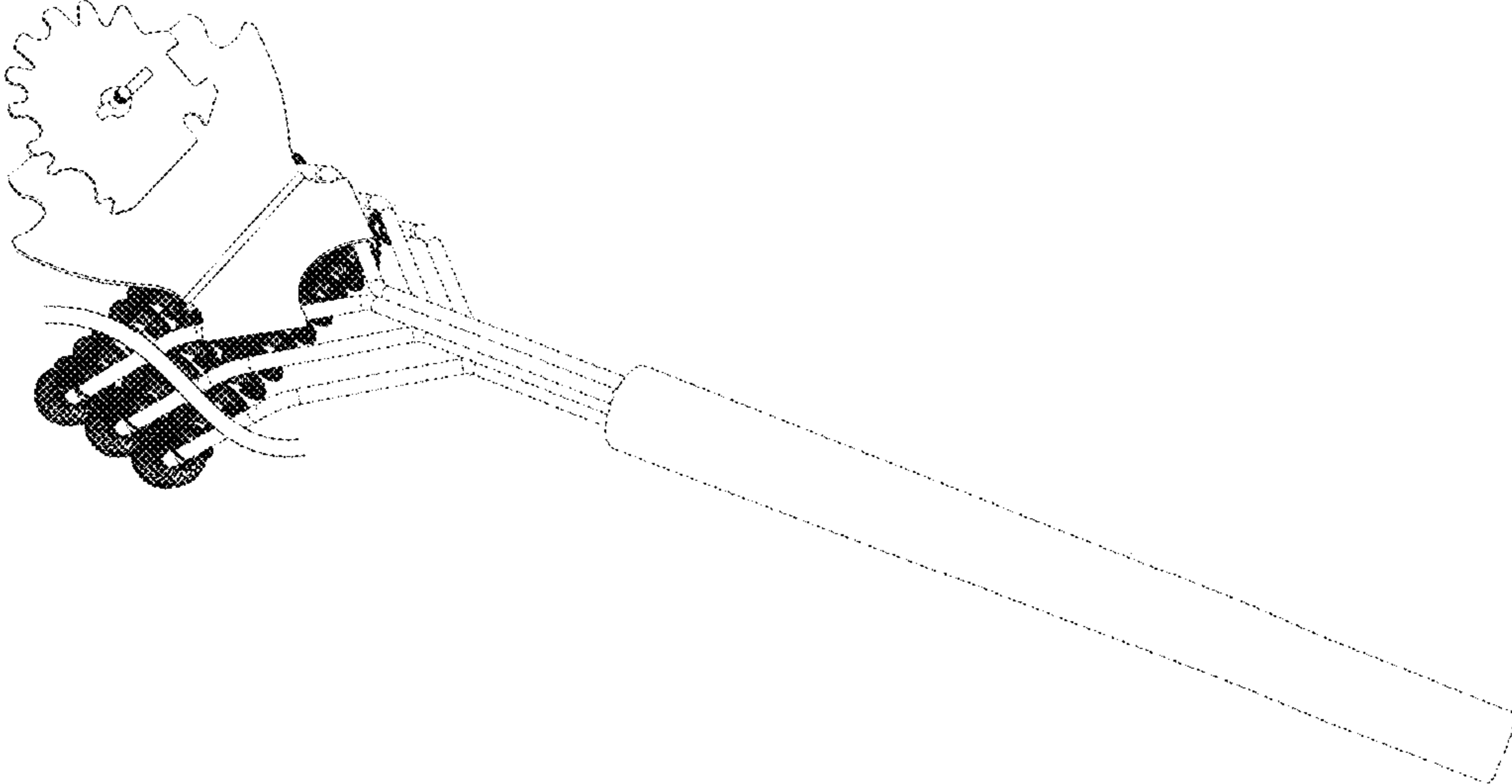


Figure 1

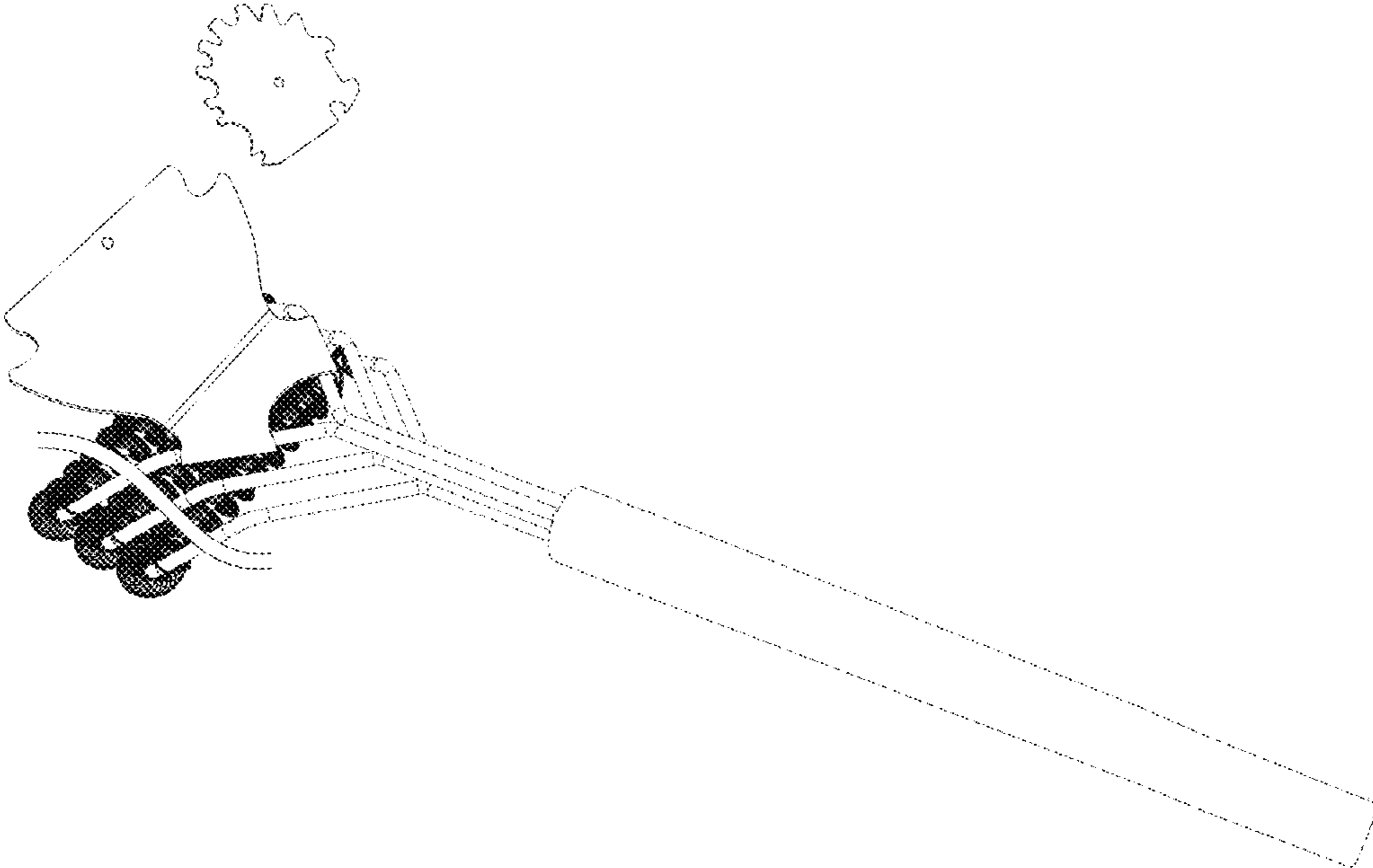


Figure 2

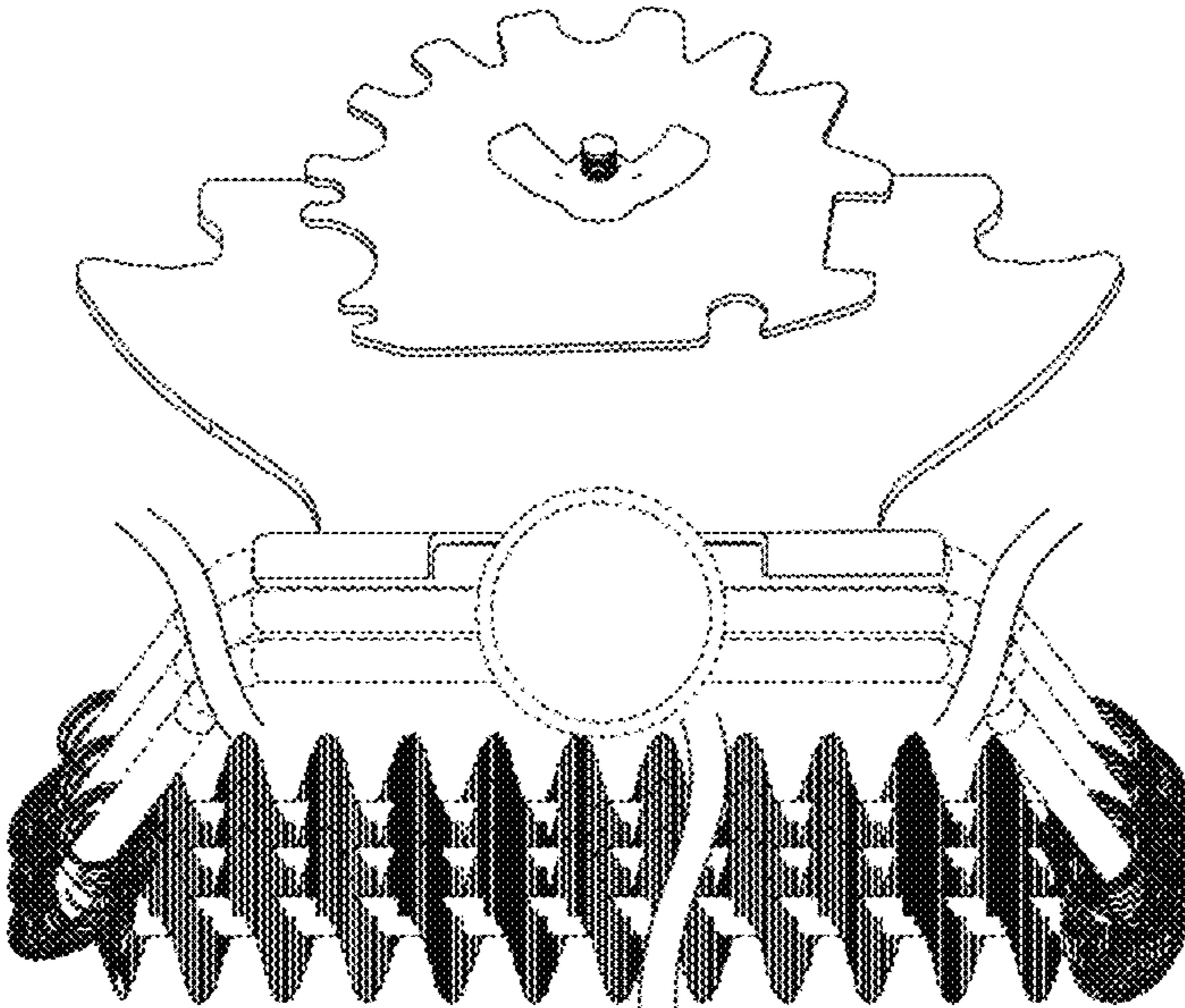


Figure 3

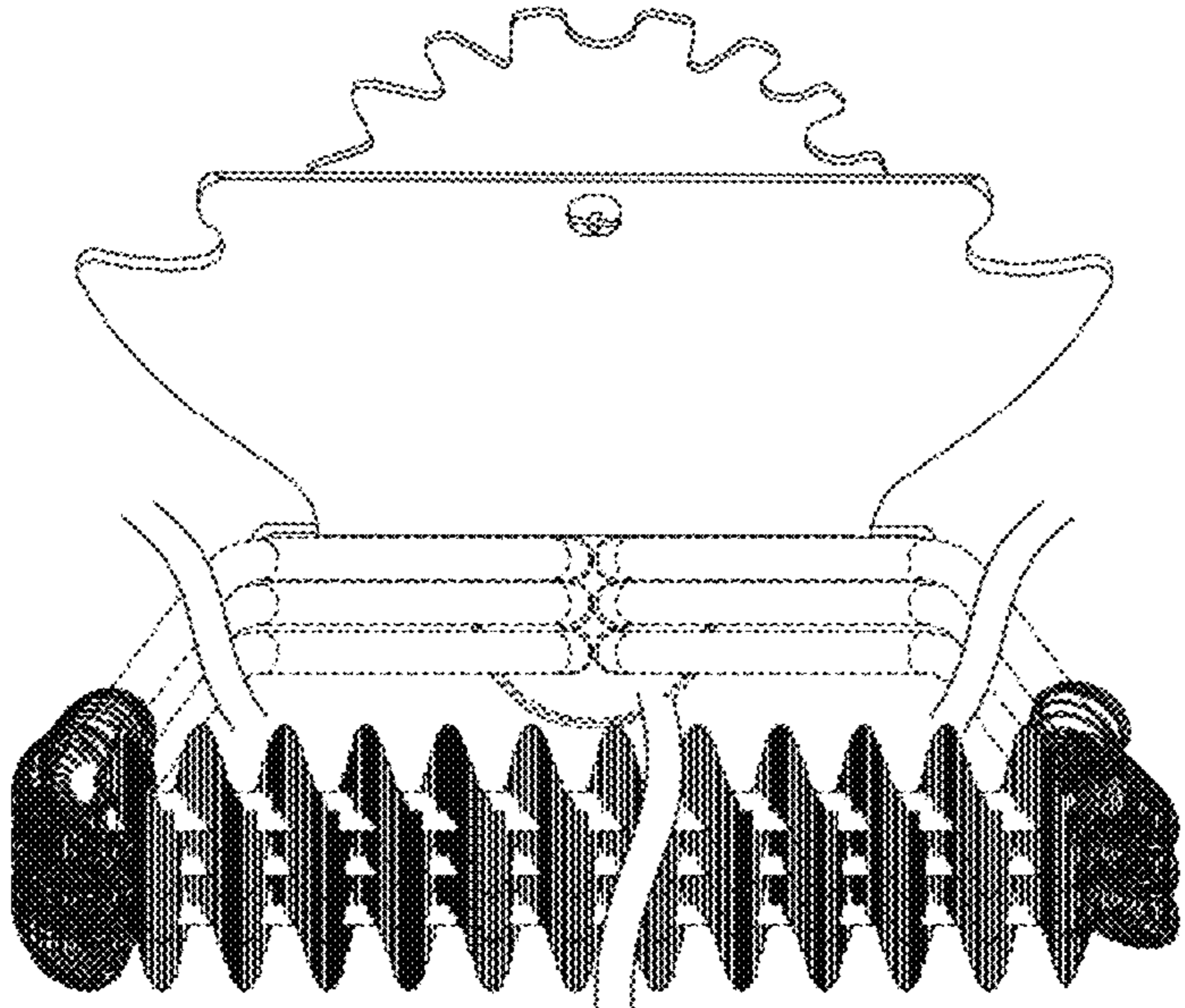


Figure 4

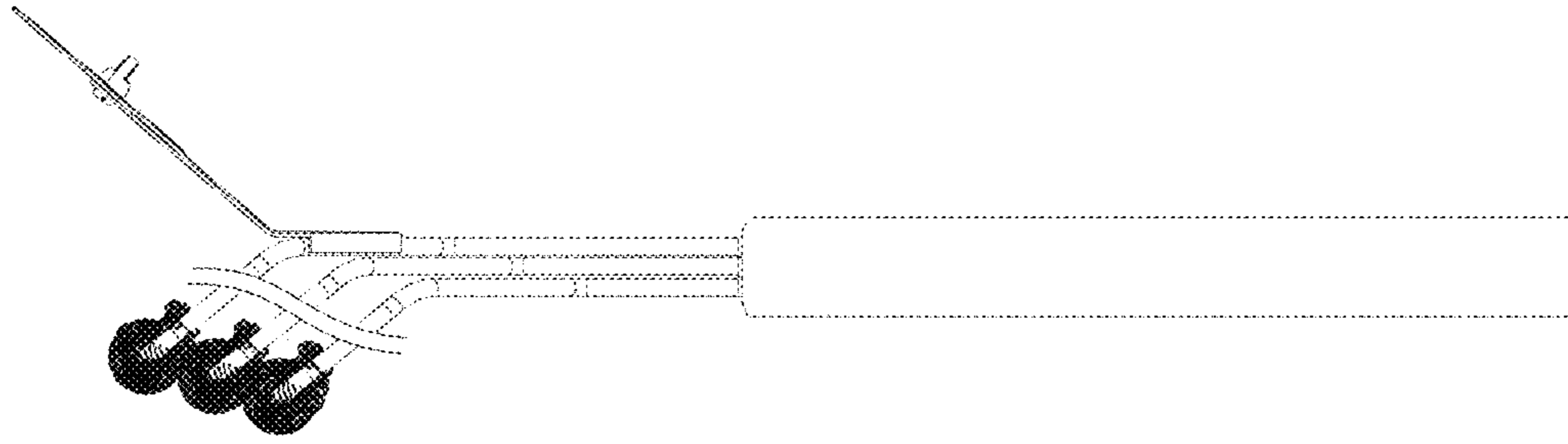


Figure 5

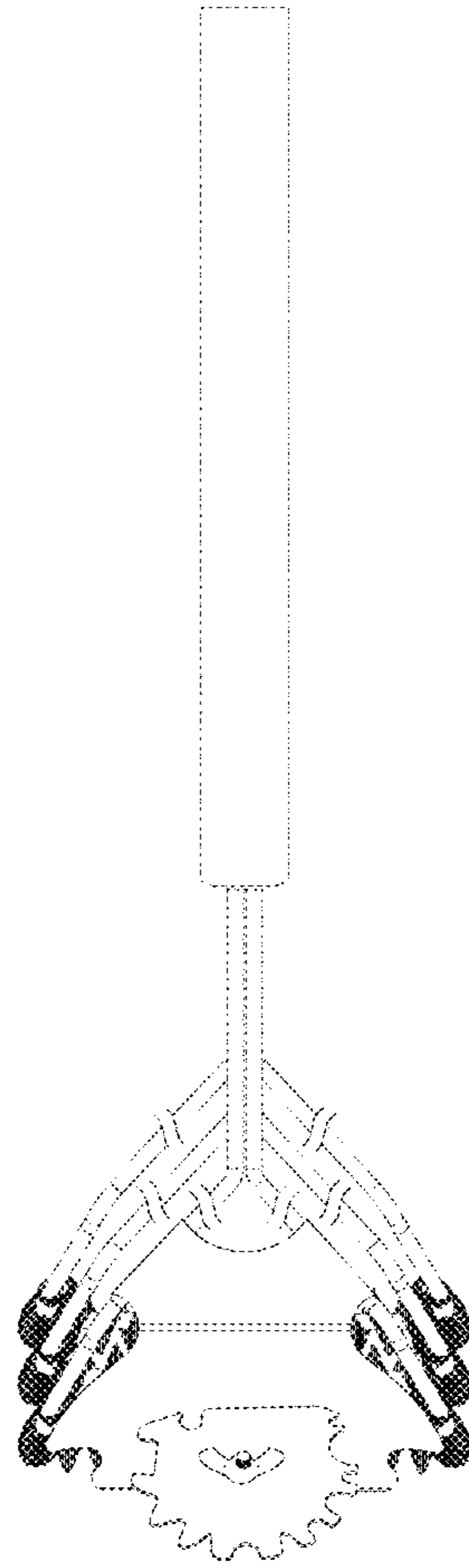


Figure 6

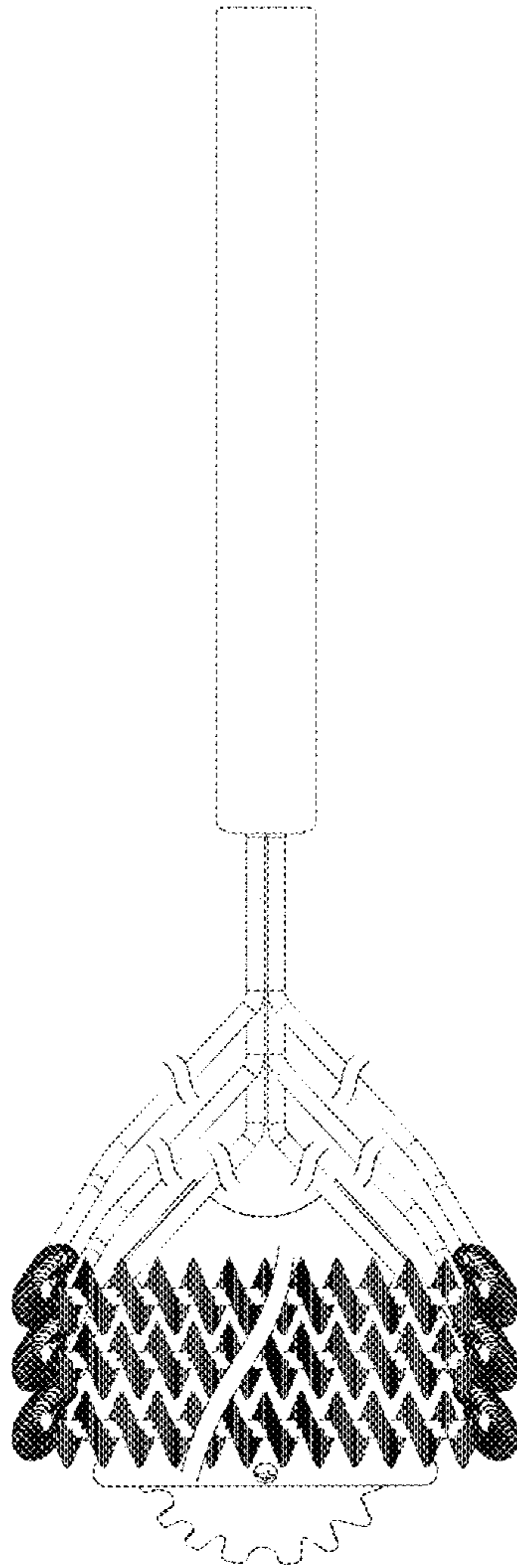


Figure 7