



US00D855996S

(12) **United States Design Patent** (10) **Patent No.:** **US D855,996 S**
Park (45) **Date of Patent:** **** Aug. 13, 2019**

(54) **HAIR BRUSH**
(71) Applicant: **Jonathan Yejun Park**, San Francisco, CA (US)
(72) Inventor: **Jonathan Yejun Park**, San Francisco, CA (US)
(**) Term: **15 Years**
(21) Appl. No.: **29/609,781**
(22) Filed: **Jul. 5, 2017**
(51) **LOC (12) Cl.** **04-02**
(52) **U.S. Cl.**
USPC **D4/100**
(58) **Field of Classification Search**
USPC D4/100, 108, 110, 11, 116, 117, 120, D4/121, 127, 128, 132-136; D28/10, 13, D28/15, 24, 25, 26, 28, 35, 38, 74
CPC A46B 3/00; A46B 3/22; A46B 5/00; A46B 5/0016; A46B 5/02; A46B 1/00; A46B 9/00; A46B 9/02; A46B 9/023; A46B 9/028; A46B 2200/00; A46B 2200/10; A46B 15/00; A46B 15/0014; A46B 11/08; A45D 24/16
See application file for complete search history.

(56) **References Cited**
U.S. PATENT DOCUMENTS
D570,045 S * 5/2008 Julemont D28/35
D766,589 S * 9/2016 Cheung D4/136
D771,310 S * 11/2016 He D28/15
D779,212 S * 2/2017 Kinoshita D4/121
D781,598 S * 3/2017 Treeby D4/136
D804,188 S * 12/2017 Du D4/100
D808,658 S * 1/2018 Sophie D4/100
D815,837 S * 4/2018 Zhou D4/100

D816,346 S * 5/2018 Zhou D4/100
D817,007 S * 5/2018 Guy-Rabi D4/136
D819,336 S * 6/2018 Zhou D4/100
D821,648 S * 6/2018 Qiu D28/25
D821,649 S * 6/2018 Qin D28/35
D821,754 S * 7/2018 Huang D4/100
D825,929 S * 8/2018 Julemont D4/100
D826,567 S * 8/2018 Yan D4/100
D836,344 S * 12/2018 Keong D4/100
D838,989 S * 1/2019 Yan D4/100
2018/0055188 A1 * 3/2018 Potts A45D 20/48
2018/0125223 A1 * 5/2018 Exley A46B 15/003

FOREIGN PATENT DOCUMENTS

WO WO-2015169383 A1 * 11/2015 A45D 1/04
* cited by examiner

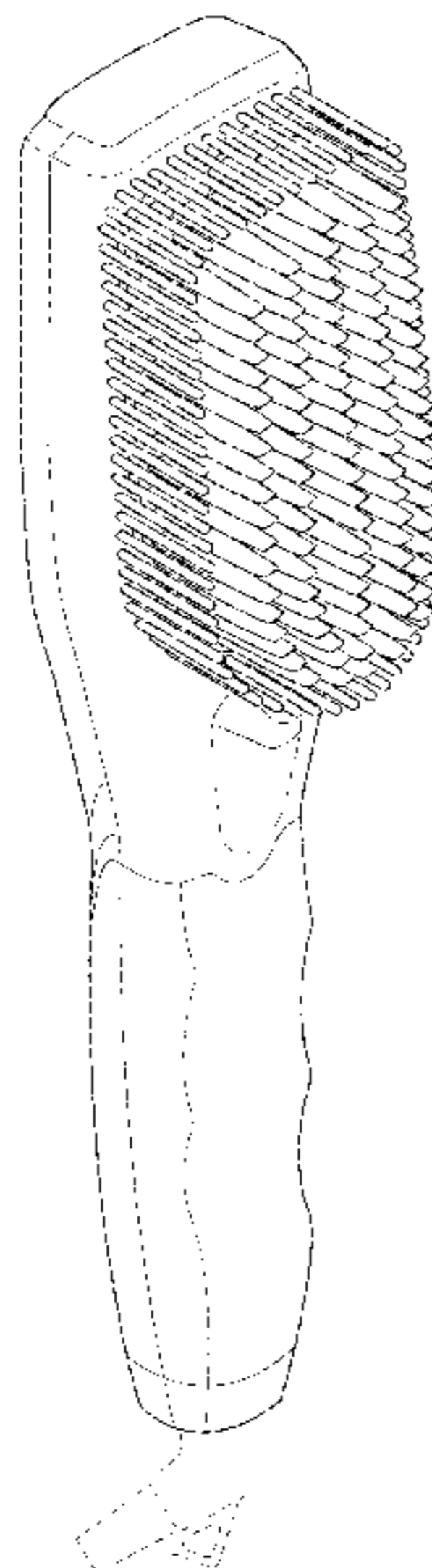
Primary Examiner — Wan Laymon
Assistant Examiner — Clint A Samuel
(74) *Attorney, Agent, or Firm* — Weintraub Tobin; Zheng “Andy” Liu

(57) **CLAIM**
The ornamental design for a hair brush, as shown and described.

DESCRIPTION

FIG. 1 is a front view of a hair brush;
FIG. 2 is a side view of the hair brush;
FIG. 3 is a back view of the hair brush;
FIG. 4 is a perspective view of the hair brush;
FIG. 5 is a top view of the hair brush; and,
FIG. 6 is a bottom view of the hair brush.
The broken line showing in the drawings is included for the purpose of illustrating unclaimed portions of the hair brush and forms no part of the claimed design.

1 Claim, 5 Drawing Sheets



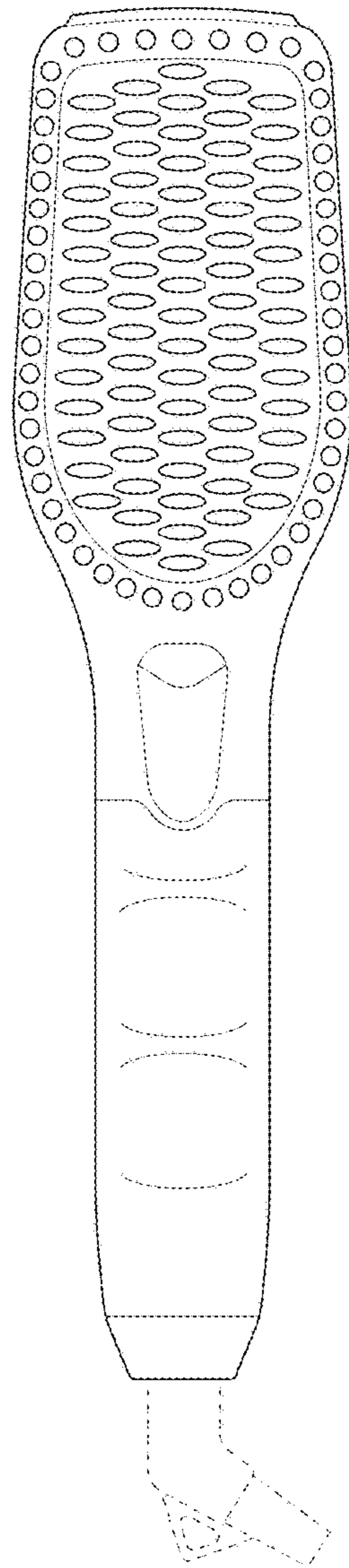


FIG. 1

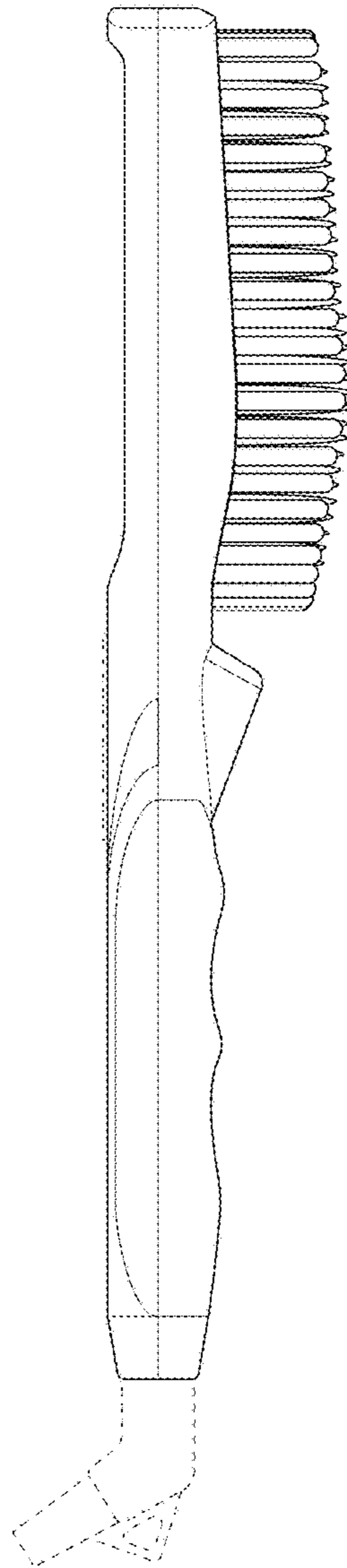


FIG. 2

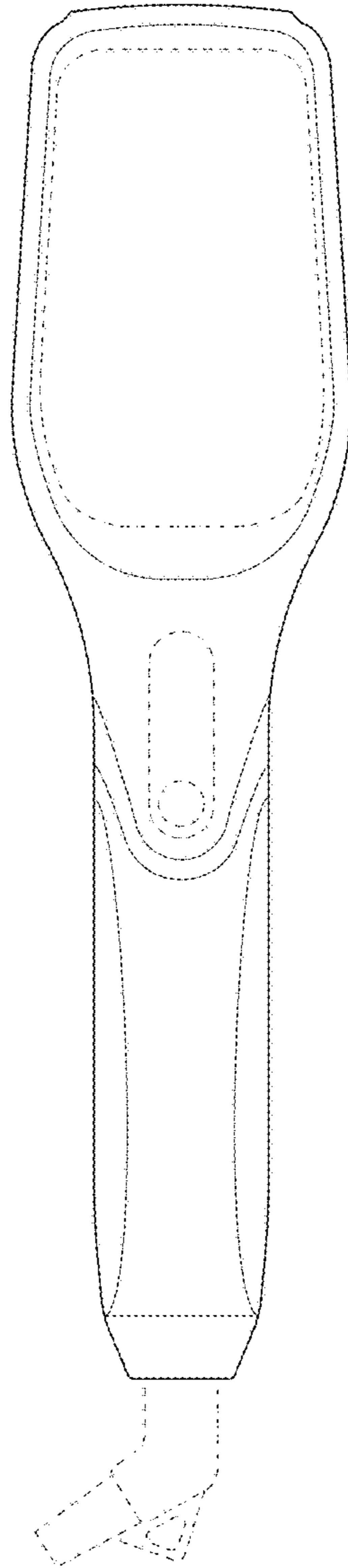


FIG. 3

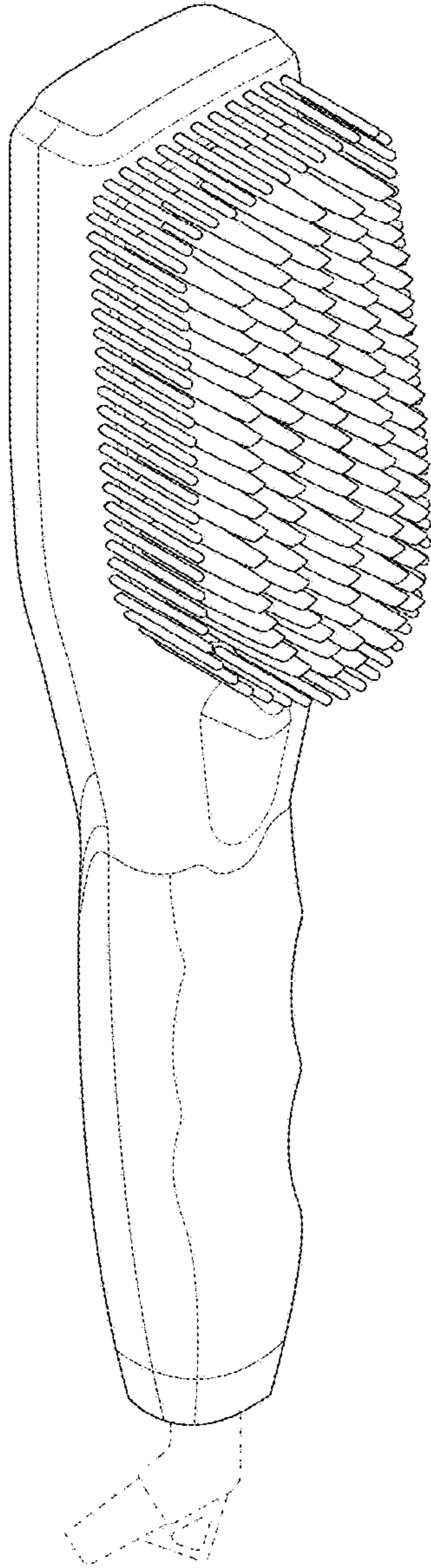


FIG. 4

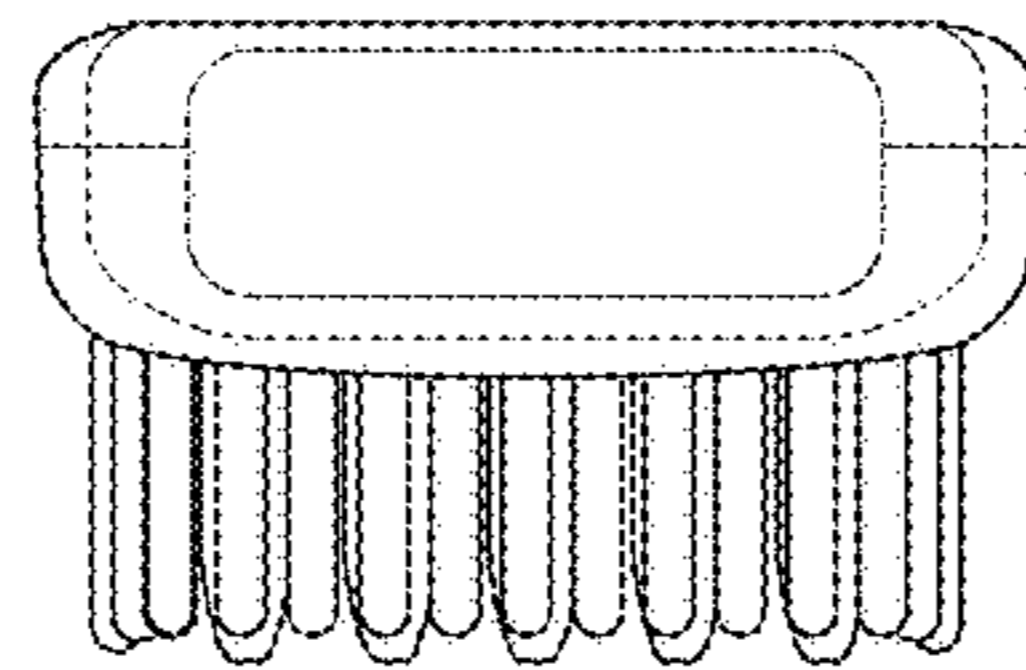


FIG. 5

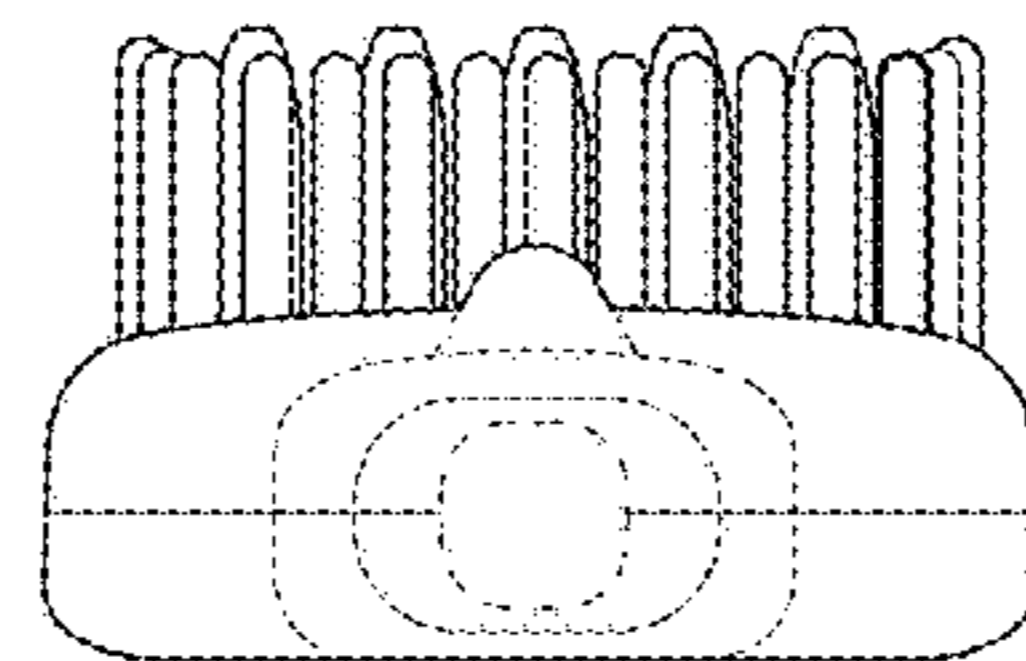


FIG. 6