



US00D855995S

(12) **United States Design Patent** (10) **Patent No.:** **US D855,995 S**
Case et al. (45) **Date of Patent:** **** Aug. 13, 2019**

(54) **ZIPPER**
(71) Applicant: **Nite Ize, Inc.**, Boulder, CO (US)
(72) Inventors: **Rick Case**, Boulder, CO (US); **Michael C. Boyd**, Boulder, CO (US); **Bowden Ormsbee**, Longmont, CO (US); **Dale Karacostas**, Boulder, CO (US); **Clint Todd**, Boulder, CO (US); **Carley Mulder**, Boulder, CO (US)

D501,600 S * 2/2005 Guyon D3/246
D610,795 S * 3/2010 Dejadon D3/203.1
D613,058 S * 4/2010 Guyon D3/232
D696,861 S * 1/2014 Guyon D3/245
D723,267 S * 3/2015 Basha D3/232
D753,389 S * 4/2016 Marziari D3/245
D782,188 S * 3/2017 Tappeiner D3/245
D800,444 S * 10/2017 Burton D3/203.1
D839,594 S * 2/2019 Molnar D3/274
D840,676 S * 2/2019 Woodard D3/203.6
2008/0040837 A1* 2/2008 King A41D 13/012
2/227

(73) Assignee: **Nite Ize, Inc.**, Boulder, CO (US)
(**) Term: **15 Years**
(21) Appl. No.: **29/673,443**
(22) Filed: **Dec. 14, 2018**

OTHER PUBLICATIONS

Nite Ize, "Runoff™ Waterproof Toiletry Bag", First review Mar. 2, 2019. (<https://www.niteize.com/product/RunOff-Waterproof-Toiletry-Bag.asp>) (Year: 2019).*

* cited by examiner

Primary Examiner — Jennifer Rivard
Assistant Examiner — April Rivas
(74) *Attorney, Agent, or Firm* — Haynes and Boone, LLP

Related U.S. Application Data

(63) Continuation of application No. 29/672,452, filed on Dec. 5, 2018.
(51) **LOC (12) Cl.** **03-01**
(52) **U.S. Cl.**
USPC **D3/323**
(58) **Field of Classification Search**
USPC D3/205, 245, 273, 274, 285, 287, 291,
D3/294, 296, 323, 324, 326, 901, 900,
D3/903
CPC A45C 1/02; A45C 2003/008; A45C 3/02;
A45C 5/005; A45C 2011/007; A45C
13/008; A45C 2013/303; A45D 29/20;
A45D 33/008
See application file for complete search history.

(57) **CLAIM**

The ornamental design for the zipper, as shown and described.

DESCRIPTION

FIG. 1 shows a front perspective view of a zipper; FIG. 2 shows a rear perspective view of the zipper of FIG. 1; FIG. 3 shows a front view of the zipper of FIG. 1; and FIG. 4 shows a rear view of the zipper of FIG. 1; FIG. 5 shows a left-side view of the zipper of FIG. 1; FIG. 6 shows a right-side view of the zipper of FIG. 1; FIG. 7 shows a top view of the zipper of FIG. 1; and FIG. 8 shows a bottom view of the zipper of FIG. 1. The broken lines illustrate environment and form no part of the claimed design.

(56) **References Cited**

U.S. PATENT DOCUMENTS

2,561,042 A * 7/1951 Arnold A45C 5/005
190/119
D292,645 S * 11/1987 Young D3/245

1 Claim, 5 Drawing Sheets

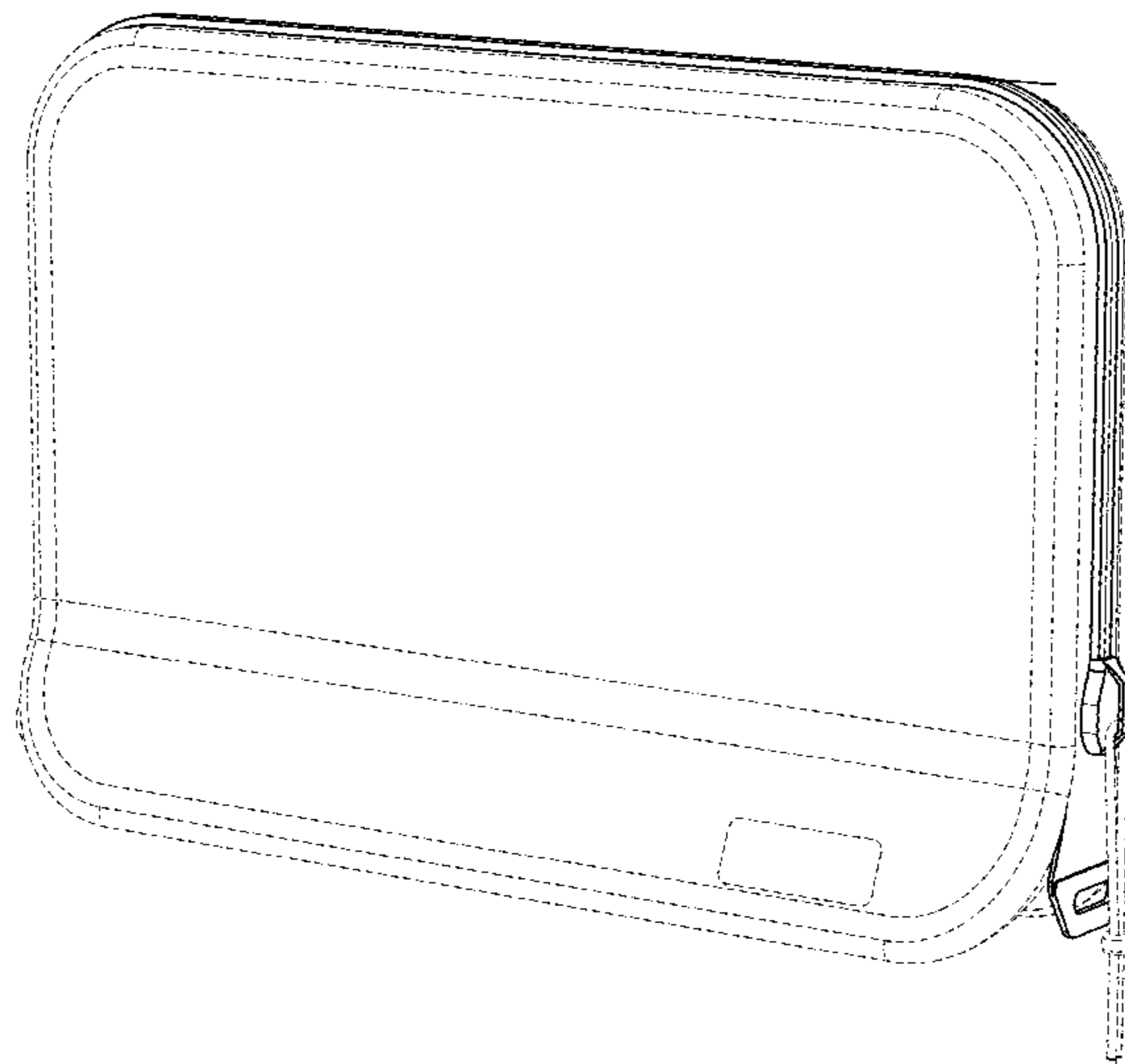


FIG. 1

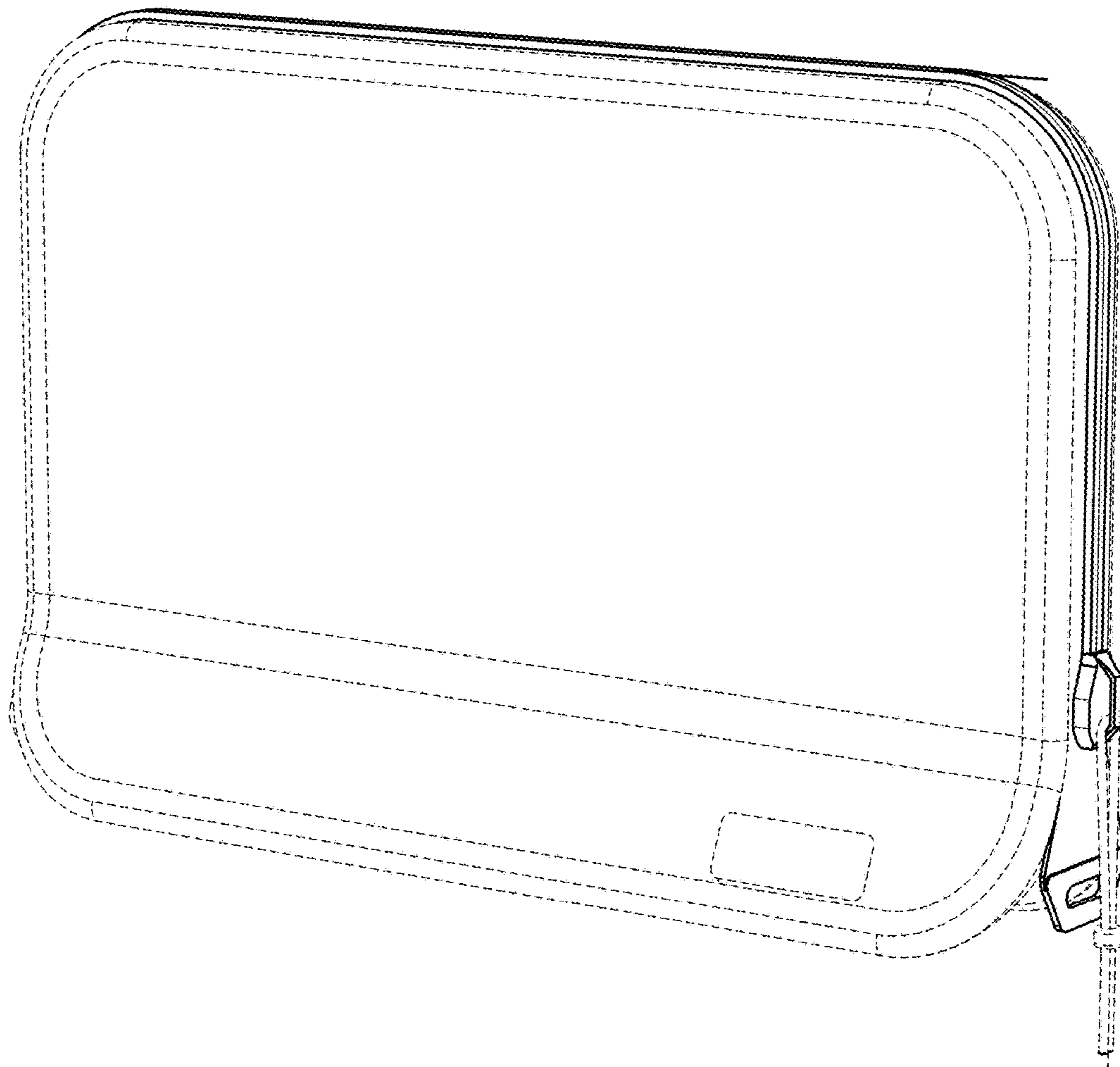


FIG. 2

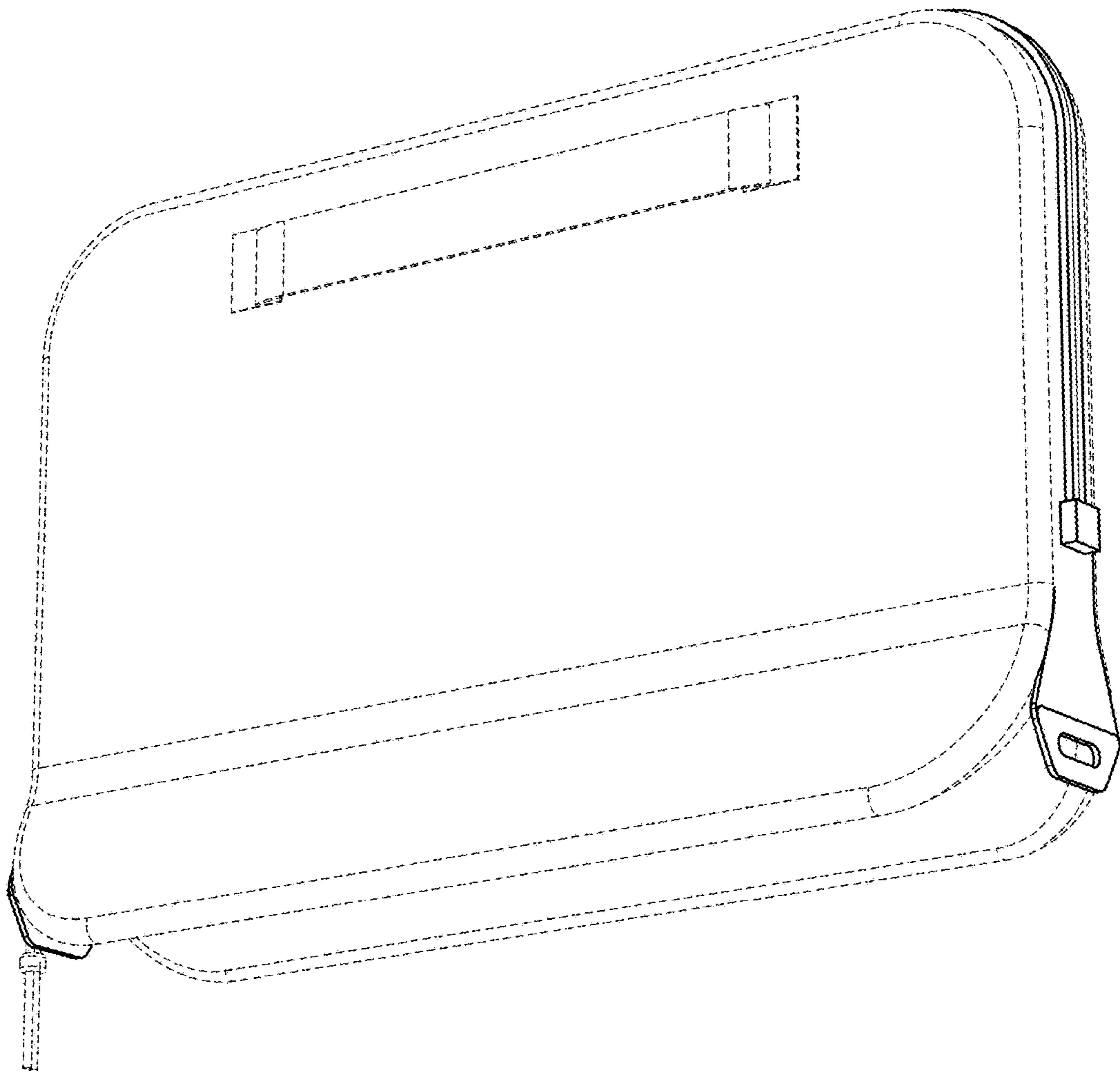


FIG. 3

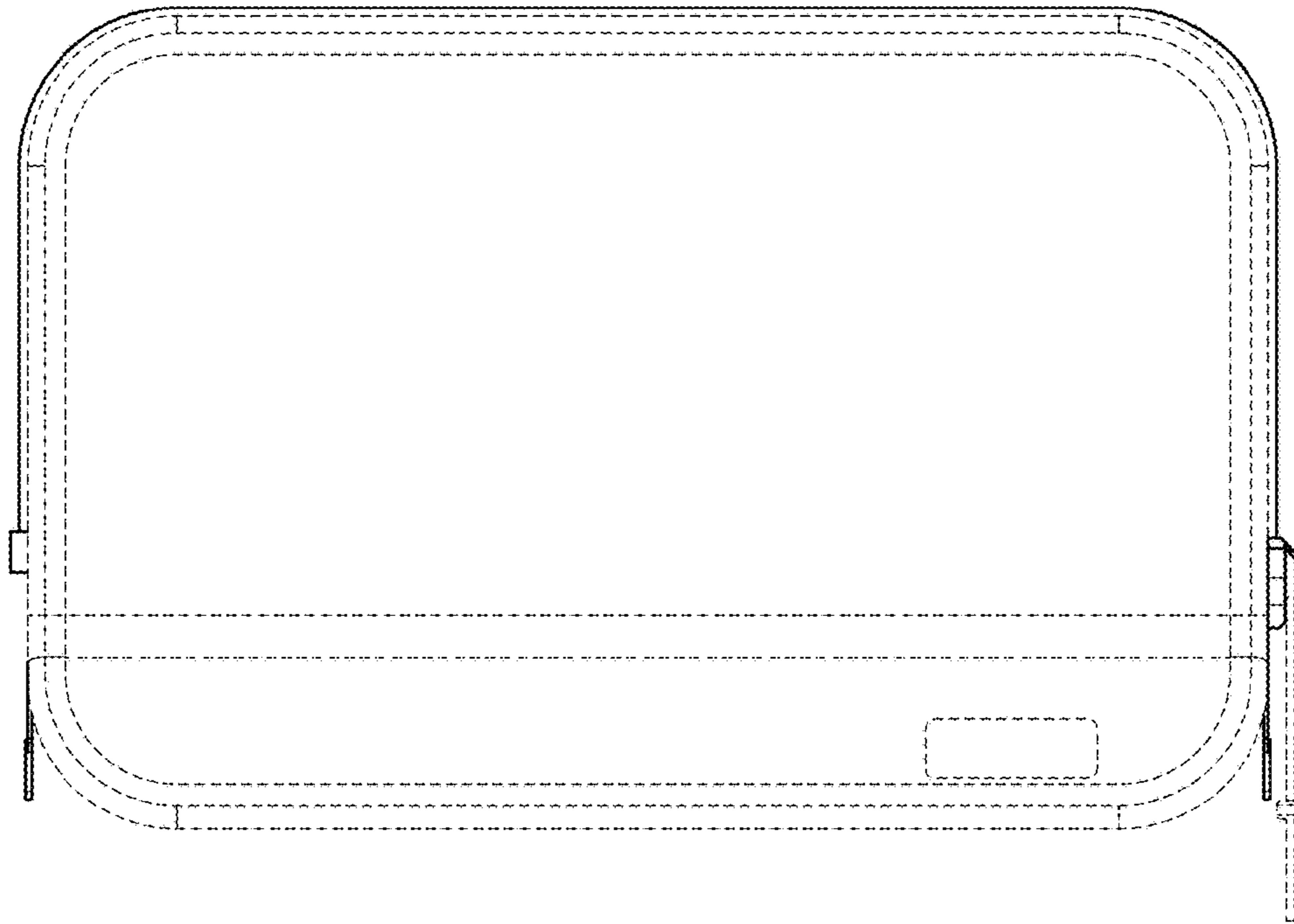


FIG. 4

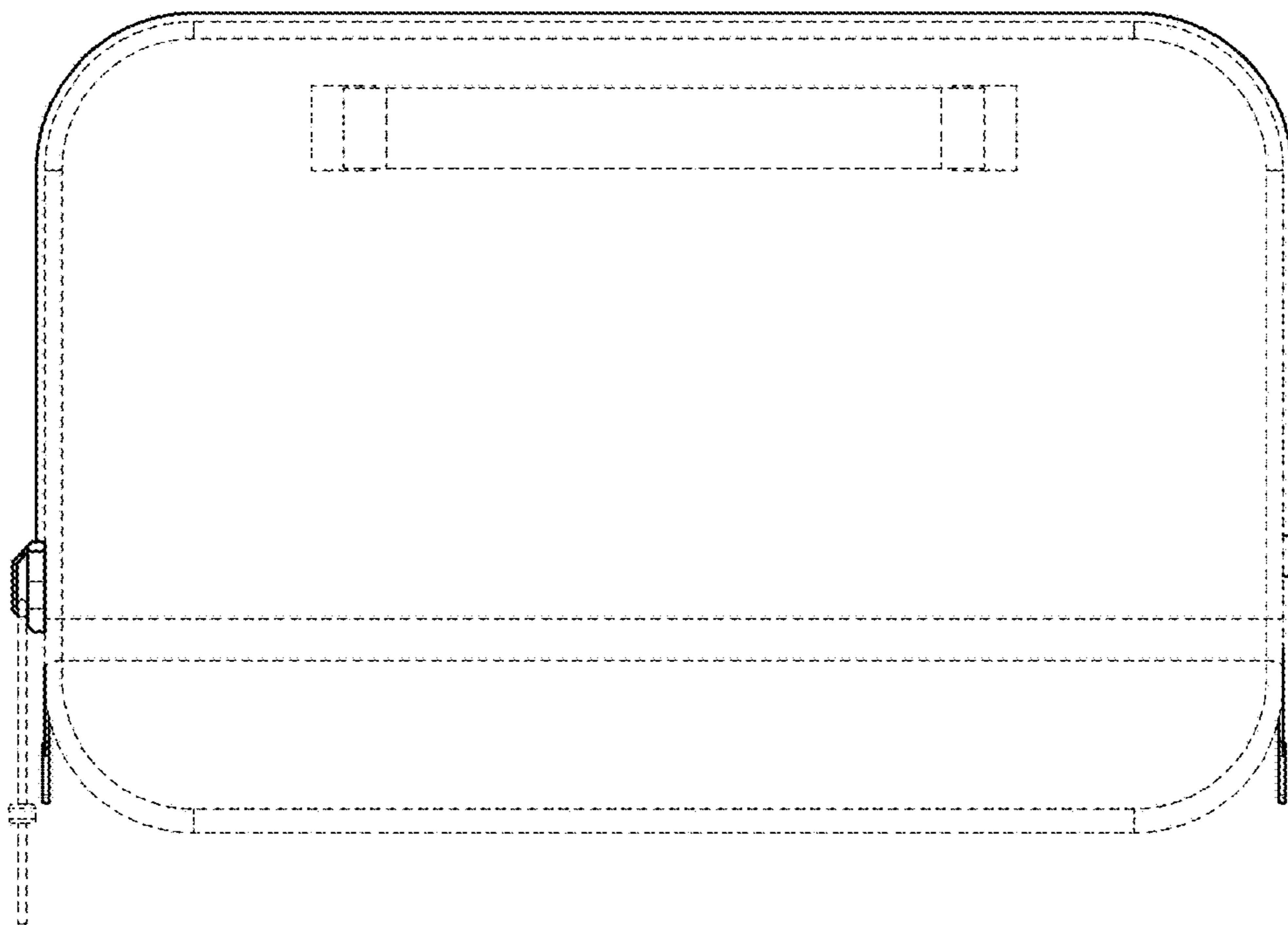


FIG. 5

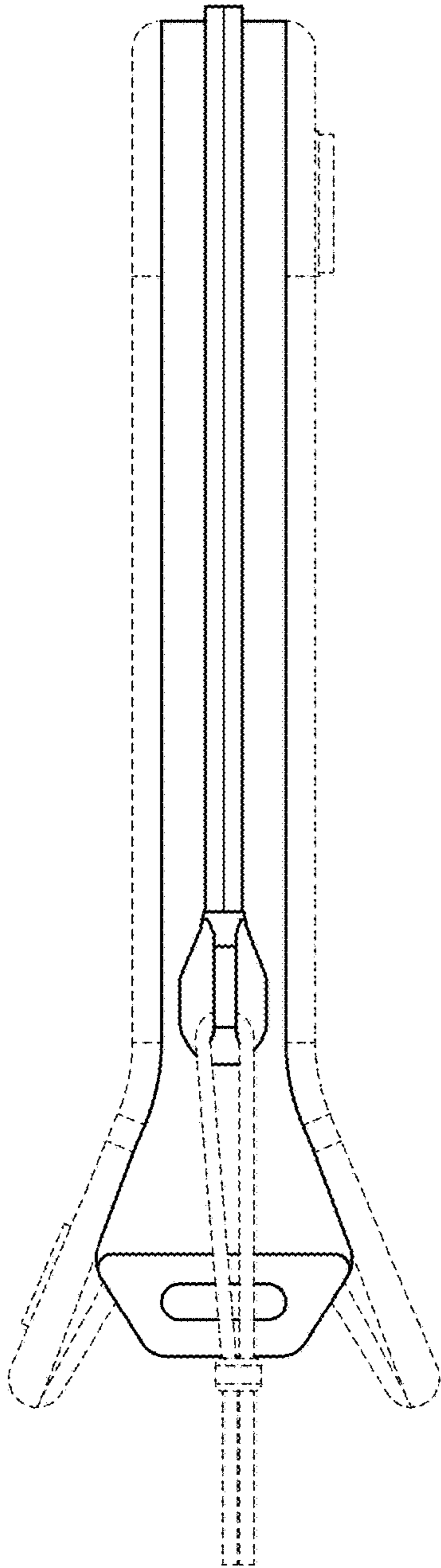


FIG. 6

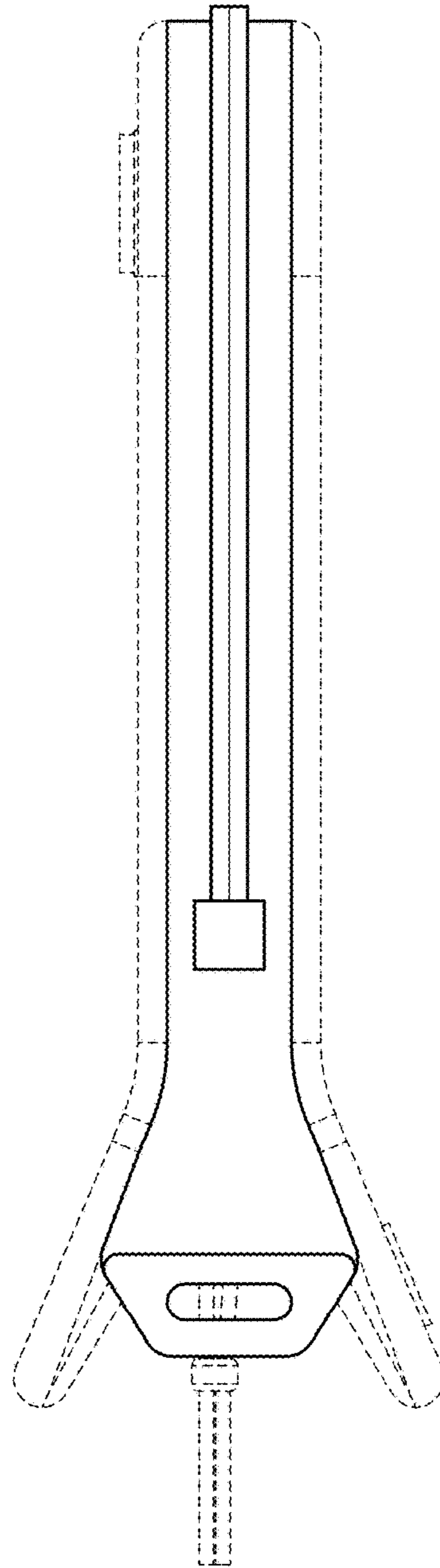


FIG. 7

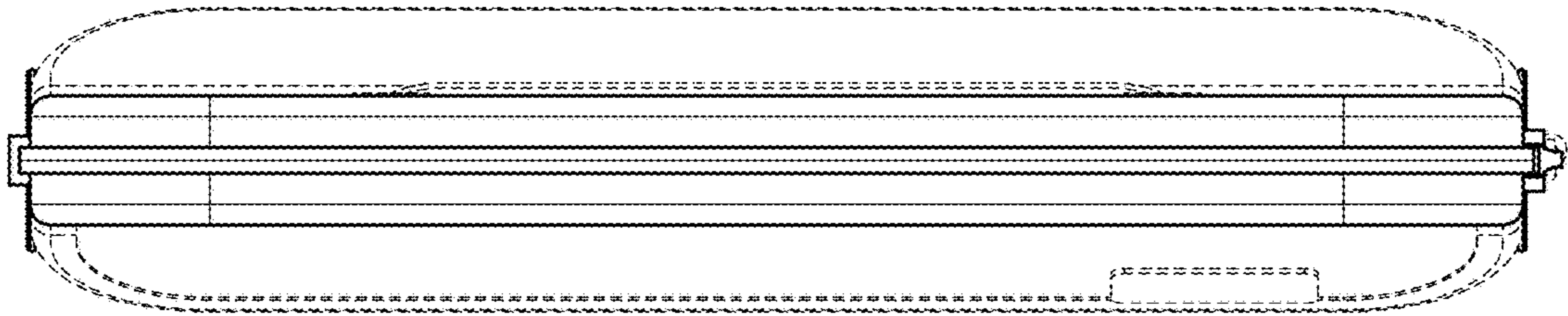


FIG. 8

