



US00D855994S

(12) **United States Design Patent** (10) **Patent No.:** **US D855,994 S**
Munie (45) **Date of Patent:** **** Aug. 13, 2019**

(54) **BAG**
(71) Applicant: **YETI Coolers, LLC**, Austin, TX (US)
(72) Inventor: **Jeffrey Charles Munie**, Austin, TX (US)
(73) Assignee: **YETI Coolers, LLC**, Austin, TX (US)
(**) Term: **15 Years**
(21) Appl. No.: **29/659,837**
(22) Filed: **Aug. 13, 2018**

3,716,091 A 2/1973 Gaines
3,749,301 A 7/1973 Peckar
3,831,986 A 8/1974 Kobayashi
3,998,304 A 12/1976 Edgerton, Jr. et al.
(Continued)

FOREIGN PATENT DOCUMENTS

CN 205512896 U 8/2016
EM 000596333-0007 10/2006
(Continued)

OTHER PUBLICATIONS

Jun. 19, 2018—(WO) International Search Report and Written Opinion—App. No. PCT/US18/21546.

Primary Examiner — Holly H Baynham
(74) *Attorney, Agent, or Firm* — Banner & Witcoff, Ltd.

Related U.S. Application Data

(63) Continuation of application No. 29/594,751, filed on Feb. 22, 2017, now Pat. No. Des. 825,184.
(51) **LOC (12) Cl.** **03-01**
(52) **U.S. Cl.**
USPC **D3/318**
(58) **Field of Classification Search**
USPC D3/232–233, 240–243, 245–246, 318
CPC A45C 1/024; A45C 3/06
See application file for complete search history.

(57) **CLAIM**

The ornamental design for a bag, as shown and described.

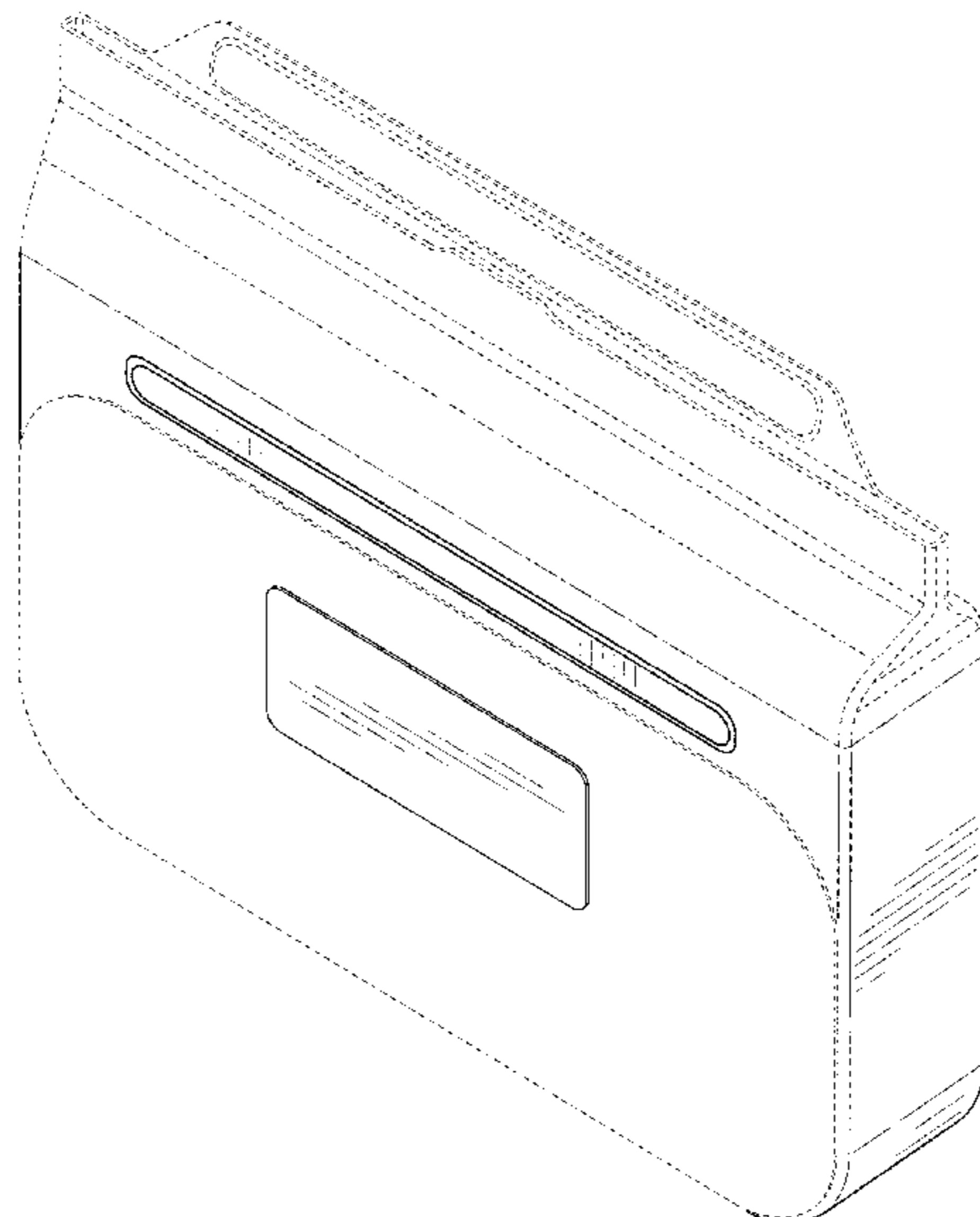
DESCRIPTION

FIG. 1 is a top, front, right perspective view of a bag showing my new design;
FIG. 2 is a front view thereof;
FIG. 3 is a right side view thereof;
FIG. 4 is a left side view thereof;
FIG. 5 is a top view thereof;
FIG. 6 is a bottom view thereof; and,
FIG. 7 is a top, front, right perspective view of an alternative claimed configuration of a bag showing our new design. The uneven-length broken lines immediately adjacent to the shaded area define the bounds of the claimed design and form no part thereof. The even-length broken lines showing the remainder of the bag represent unclaimed subject matter and form no part of the claimed design.

1 Claim, 5 Drawing Sheets

(56) **References Cited**
U.S. PATENT DOCUMENTS

1,631,371 A 6/1927 Greubel
1,671,385 A 5/1928 Strayer
1,712,109 A 5/1929 Hammer
1,809,696 A 6/1931 Heilweil
1,899,696 A 2/1933 Freedman
1,942,246 A 1/1934 Johaneson
1,986,057 A 1/1935 Hackworth
2,304,528 A 12/1942 Bafia
2,496,296 A 2/1950 Lobl
2,513,575 A 7/1950 Lombard
2,522,480 A 9/1950 Davis
2,672,232 A 3/1954 Kessell, Jr.
3,455,359 A 7/1969 Schweizer



(56)

References Cited

U.S. PATENT DOCUMENTS

4,033,013	A	7/1977	Peterson	D573,844	S	7/2008	Hanson et al.
D256,097	S	7/1980	Amberg	7,400,917	B2	7/2008	Wood et al.
4,213,549	A	7/1980	Hibbard	D577,261	S	9/2008	Wang
4,421,150	A	12/1983	Masters	7,496,195	B2	2/2009	Kramer
4,489,770	A	12/1984	Reich, II	7,513,633	B2	4/2009	Ermeti
D284,254	S	6/1986	Carlson	D592,910	S	5/2009	Hanson et al.
4,716,947	A	1/1988	Haddock	D598,647	S	8/2009	Kertesz et al.
4,738,390	A	4/1988	Brennan	D601,383	S	10/2009	Shah
D304,008	S	10/1989	Hornung	D602,740	S	10/2009	Urquiola
4,905,857	A	3/1990	Her	D607,701	S	1/2010	Pedrazzi et al.
5,010,988	A	4/1991	Brown	D609,056	S	2/2010	Pierce
5,030,013	A	7/1991	Kramer	D617,149	S	6/2010	Olivari
5,181,555	A	1/1993	Chruniak	7,730,739	B2	6/2010	Fuchs
5,216,900	A	6/1993	Jones	D620,376	S	7/2010	Peysen et al.
5,226,540	A	7/1993	Bradbury	7,793,782	B2	9/2010	Chuang
5,237,838	A	8/1993	Merritt-Munson	D630,939	S	1/2011	Peters et al.
5,244,136	A	9/1993	Collaso	7,896,199	B2	3/2011	Kaozmarek
5,370,622	A	12/1994	Livingston et al.	D644,024	S	8/2011	Jobert
5,372,429	A	12/1994	Beaver, Jr. et al.	8,005,251	B2	8/2011	Chan
5,505,305	A	4/1996	Scholz et al.	D653,915	S	2/2012	George
D372,173	S	7/1996	Fukuda et al.	D664,425	S	7/2012	Krupa
5,540,366	A	7/1996	Coomber	8,223,997	B2	7/2012	Wilson, II et al.
5,645,205	A	7/1997	Kennedy	D668,119	S	10/2012	Everson
D386,611	S	11/1997	Sheu	D677,511	S	3/2013	Gray
5,706,940	A	1/1998	Amarello	8,399,764	B2	3/2013	Klosky
5,797,683	A	8/1998	Gunzi et al.	8,403,975	B2	3/2013	Hadas
5,816,709	A	10/1998	Demus	8,424,680	B2	4/2013	Fair et al.
5,844,772	A	12/1998	Lee et al.	8,434,617	B1	5/2013	Wang
5,875,795	A	3/1999	Bouix	8,550,714	B2	10/2013	Ben-Shushan et al.
D411,446	S	6/1999	Cautereels	8,573,002	B2	11/2013	Ledoux et al.
D412,267	S	7/1999	Anderson	D694,521	S	12/2013	Robinson et al.
6,067,813	A	5/2000	Smith	D695,015	S	12/2013	Robinson et al.
6,068,119	A	5/2000	Derr et al.	8,607,536	B2	12/2013	Bailey et al.
6,073,789	A	6/2000	Lundblade	D701,456	S	3/2014	Farley et al.
6,092,707	A	7/2000	Bowes, Jr.	D703,493	S	4/2014	de Ste. Croix et al.
6,112,959	A	9/2000	Townsend	D708,848	S	7/2014	Zwetzig D3/246
6,149,305	A	11/2000	Fier	D709,333	S	7/2014	Stamatopoulos
6,179,677	B1	1/2001	Dornier	D709,334	S	7/2014	Stamatopoulos
6,223,551	B1	5/2001	Mitchell	8,770,402	B2	7/2014	Bergreen et al.
6,224,258	B1	5/2001	Dodson	D727,107	S	4/2015	Parodi, Jr.
6,336,340	B1	1/2002	Laby	D734,643	S	7/2015	Boroski
6,361,210	B2	3/2002	Denko	D734,761	S	7/2015	Ballou et al.
D460,898	S	7/2002	Wang	D736,569	S	8/2015	Bronwasser et al.
6,422,032	B1	7/2002	Greene	9,122,941	B2	9/2015	Hoobler et al.
6,427,475	B1	8/2002	DeFelice et al.	9,139,352	B2	9/2015	Seiders et al.
D463,276	S	9/2002	Piscopo et al.	9,167,876	B2	10/2015	Yamaguchi et al.
6,470,705	B2	10/2002	Bride-Flynn	9,220,328	B2	12/2015	Magness
D472,773	S	4/2003	Samartgis	9,264,089	B2	2/2016	Tages
6,601,403	B1	8/2003	Roth et al.	D751,814	S	3/2016	Louboutin
D482,529	S	11/2003	Hardigg et al.	9,290,313	B2	3/2016	De Lesseux et al.
6,646,864	B2	11/2003	Richardson	9,307,315	B2	4/2016	McKeough
6,659,274	B2	12/2003	Enners	9,334,087	B2	5/2016	Cho et al.
D485,069	S	1/2004	Parker	D758,805	S	6/2016	Myoung
6,698,608	B2	3/2004	Parker et al.	9,392,855	B2	7/2016	Taylor
6,722,784	B2	4/2004	Breil, Jr.	D763,569	S	8/2016	Tal
6,742,354	B1	6/2004	Watts	D763,629	S	8/2016	Swartz et al.
6,749,551	B2	6/2004	Metzler et al.	9,444,506	B2	9/2016	Lai et al.
6,821,018	B1	11/2004	Denko	D787,821	S	5/2017	Liu
6,915,934	B2	7/2005	Hassett	D824,664	S	8/2018	Munie D3/232
6,929,125	B1	8/2005	Seamans	D825,913	S	8/2018	Barlier D3/201
6,955,381	B2	10/2005	Parker et al.	2001/0051378	A1	12/2001	Radmacher et al.
D513,123	S	12/2005	Richardson et al.	2002/0012480	A1	1/2002	Konno
D513,451	S	1/2006	Richardson et al.	2004/0183313	A1	9/2004	Sherman et al.
D514,808	S	2/2006	Morine et al.	2005/0116003	A1	6/2005	Butler et al.
D516,309	S	3/2006	Richardson et al.	2005/0230465	A1	10/2005	Metzler et al.
D516,807	S	3/2006	Richardson et al.	2005/0262871	A1	12/2005	Bailey-Weston
D516,870	S	3/2006	Martinez et al.	2006/0003709	A1	1/2006	Wood
7,017,776	B1	3/2006	Hupp	2006/0072857	A1	4/2006	Revels
D523,242	S	6/2006	Hardigg et al.	2007/0215663	A1	9/2007	Chongson et al.
D527,226	S	8/2006	Maldonado	2007/0232109	A1	10/2007	Parker et al.
D529,344	S	10/2006	Maldonado	2007/0261977	A1	11/2007	Sakai
D543,700	S	6/2007	Parker et al.	2007/0261978	A1	11/2007	Sanderson
D550,210	S	9/2007	Polany et al.	2008/0037907	A1	2/2008	Suskind
7,299,652	B2	11/2007	Gagnon	2008/0077289	A1	3/2008	Fujishima
7,301,303	B1	11/2007	Hulden	2009/0114557	A1	5/2009	Nelson
				2009/0184143	A1	7/2009	Witt et al.
				2009/0208146	A1	8/2009	Kirby
				2010/0040307	A1	2/2010	Lien
				2010/0140861	A1	6/2010	Kubota et al.

(56)

References Cited

FOREIGN PATENT DOCUMENTS

U.S. PATENT DOCUMENTS

2010/0181220 A1 7/2010 Dasara
 2010/0298025 A1 11/2010 Spence
 2010/0310194 A1 12/2010 Archambault
 2012/0096669 A1 4/2012 Treacy
 2012/0137637 A1 6/2012 Gillis
 2013/0077897 A1 3/2013 Li
 2013/0221048 A1 8/2013 Revels et al.
 2013/0230260 A1 9/2013 Maynard et al.
 2013/0242481 A1 9/2013 Kim et al.
 2013/0243354 A1 9/2013 Lytle
 2014/0066144 A1 3/2014 Hong
 2014/0138378 A1 5/2014 Lequeux
 2014/0138384 A1 5/2014 O'Brien
 2014/0158558 A1 6/2014 Ye
 2014/0209011 A1 7/2014 Byun
 2014/0254956 A1 9/2014 Buell, III
 2014/0262658 A1 9/2014 Wegener
 2014/0360892 A1 12/2014 Lin
 2015/0037799 A1 2/2015 Takagi
 2015/0239631 A1 8/2015 Kinsky
 2015/0305402 A1 10/2015 Bourgoin
 2016/0021997 A1 1/2016 Gonzalez
 2016/0023808 A1 1/2016 Traverso et al.
 2016/0130040 A1 5/2016 Yeh
 2016/0198823 A1 7/2016 Bergreen et al.
 2016/0235174 A1 8/2016 Lenci et al.
 2016/0269517 A1 9/2016 Alexander

EM 00519406-0001 6/2009
 EM 001922204-0001 11/2011
 EM 002047233-0001 5/2012
 EM 002294322-0002 8/2013
 EM 001294060-0002 10/2013
 EM 001294060-0003 10/2013
 EM 002540948-0003 9/2014
 EM 002541185-0001 9/2014
 EM 002541185-0003 9/2014
 EM 002515247-0001 10/2014
 EM 002515247-0002 10/2014
 EM 002550715-0002 10/2014
 EM 002630814-0002 2/2015
 EM 002838573-0001 11/2015
 EP 1864916 A1 12/2007
 JP D2010-8653 12/2010
 JP 2011121631 A 6/2011
 JP D2012-551 8/2012
 KR 3020070006269 12/2007
 KR 3020070006271 2/2008
 KR 3020100039256 4/2012
 KR 3020120016755 9/2012
 KR 3020140014014 11/2014
 WO D091354-003 3/2016

* cited by examiner

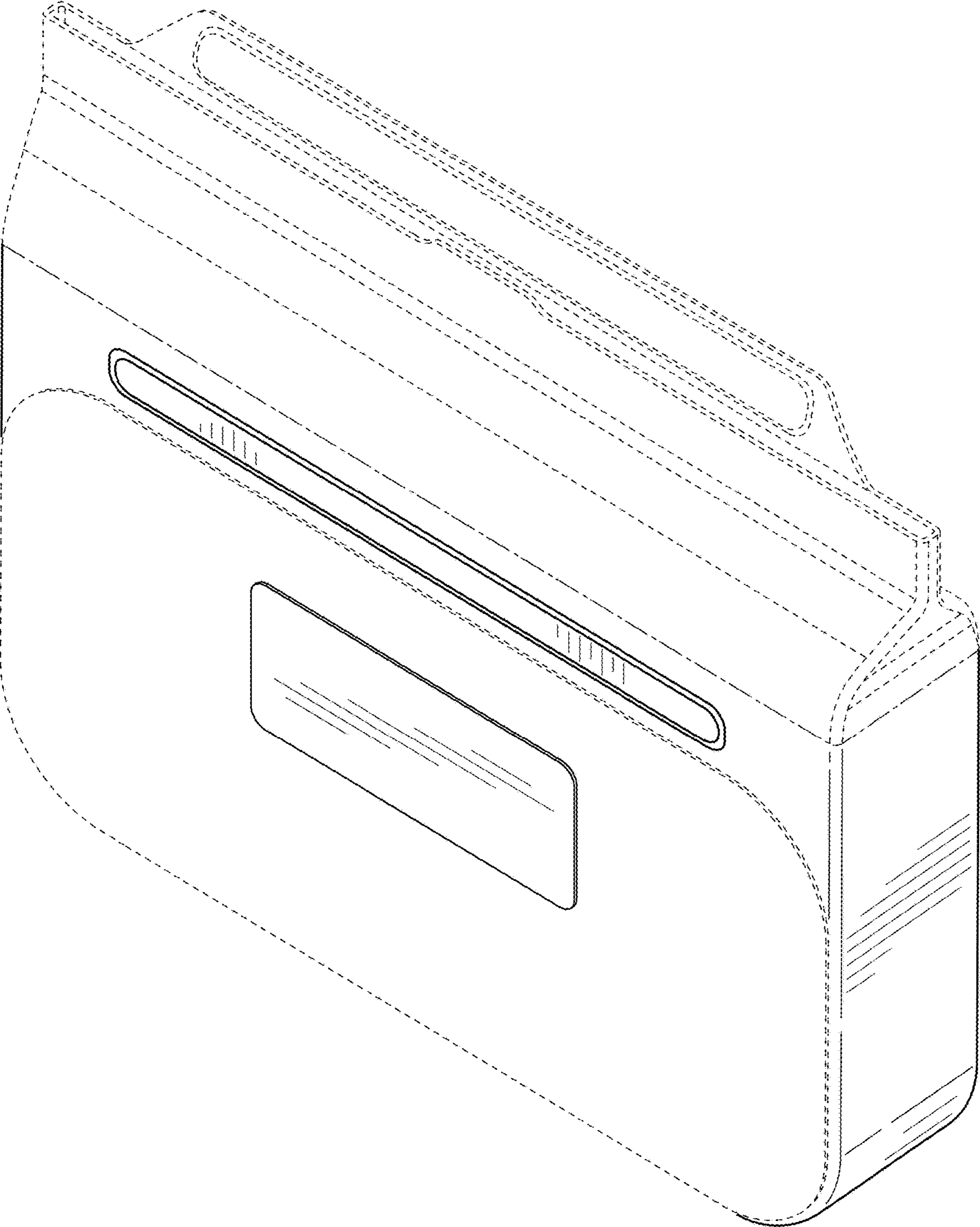


FIG. 1

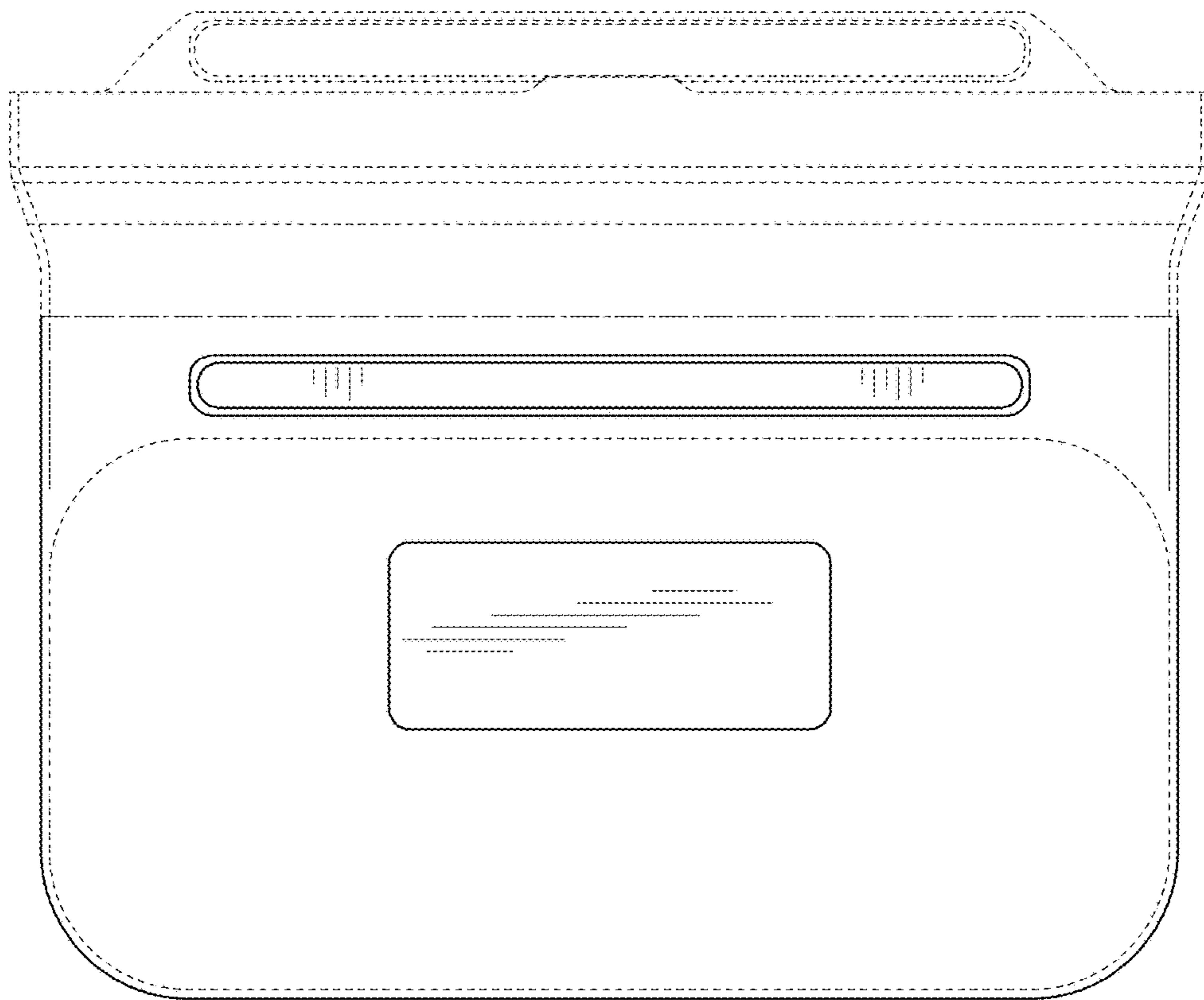


FIG. 2

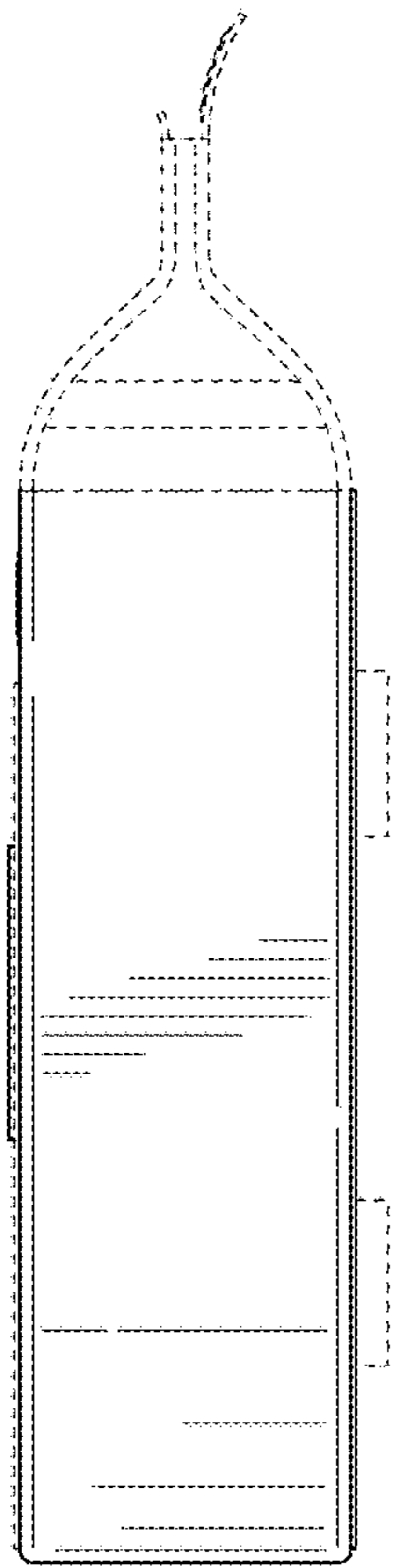


FIG. 3

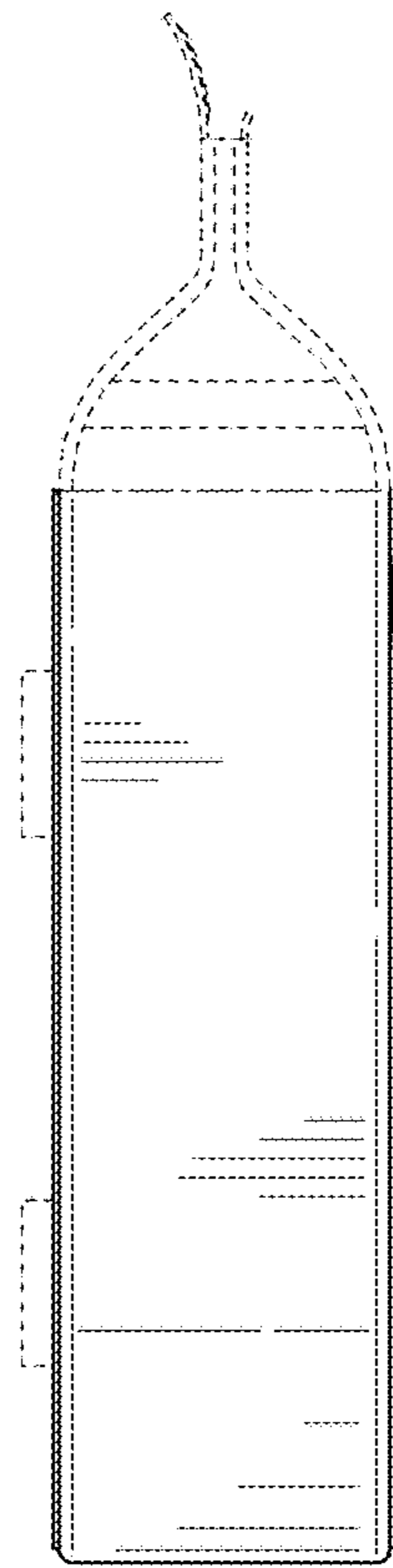


FIG. 4

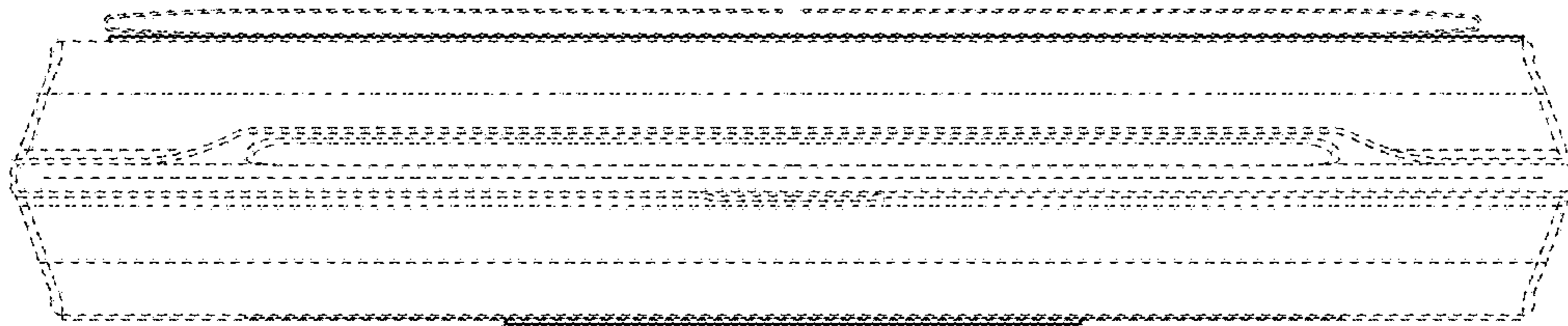


FIG. 5

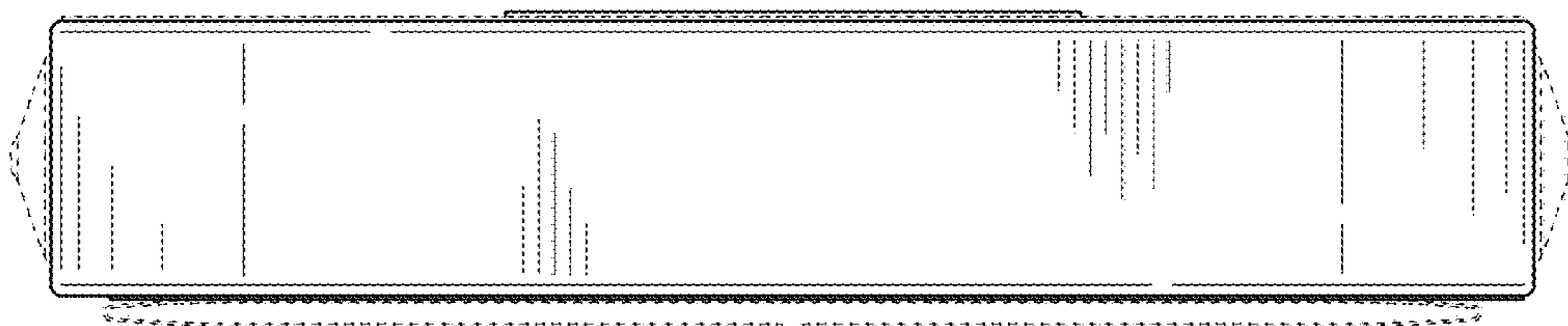


FIG. 6

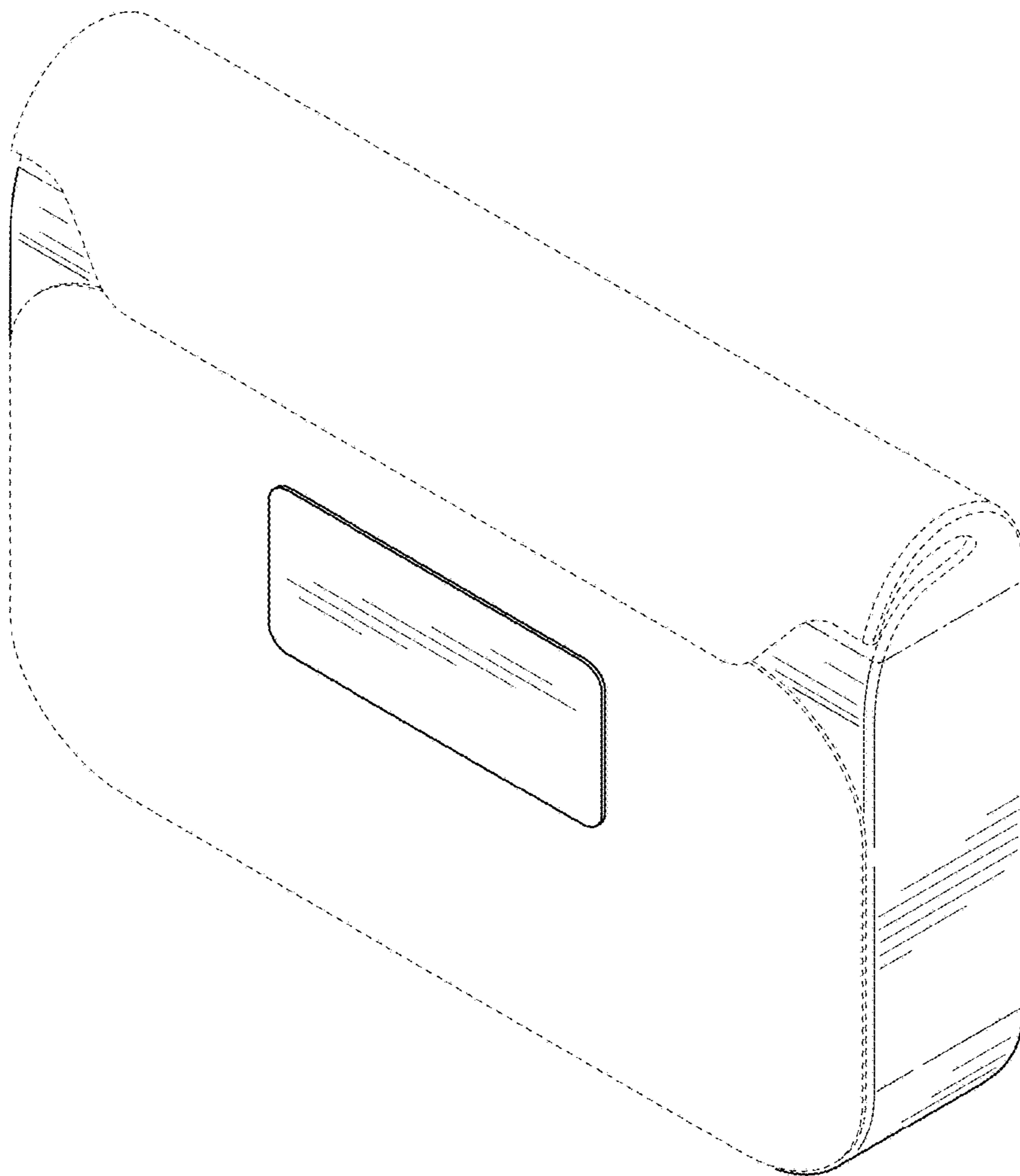


FIG. 7