



US00D855993S

(12) **United States Design Patent** (10) **Patent No.:** **US D855,993 S**
Harris et al. (45) **Date of Patent:** **** Aug. 13, 2019**

(54) **MEDICAL BAG AND PUMP SUPPORT**

OTHER PUBLICATIONS

(71) Applicant: **KPR U.S., LLC**, Mansfield, MA (US)

International Search Report dated Feb. 3, 2017 in related International Application No. PCT/US2016/024900, 7 pages.

(72) Inventors: **Benjamin Harris**, Plainville, MA (US);
Joel Wiesner, O'Fallon, MO (US);
Jeffrey Markwardt, Maryland Heights, MO (US); **Wayne Biermann**, St. Charles, MO (US); **Kenneth Breitweiser**, Brighton, IL (US)

(Continued)

Primary Examiner — Charles D Hanson

(73) Assignee: **KPR U.S., LLC**, Mansfield, MA (US)

(57) **CLAIM**

The ornamental design for a medical bag and pump support, as shown and described.

(**) Term: **15 Years**

DESCRIPTION

(21) Appl. No.: **29/559,631**

FIG. 1 is a perspective of a medical bag and pump support shown in combination with a backpack, a front flap of the backpack being shown in phantom;

(22) Filed: **Mar. 30, 2016**

FIG. 2 is a front view thereof;

(51) **LOC (12) Cl.** **03-02**

FIG. 3 is a right side view thereof;

(52) **U.S. Cl.**
USPC **D3/316**

FIG. 4 is a top plan view thereof;

(58) **Field of Classification Search**
USPC D3/105, 106, 315–317, 215–217
CPC A47C 21/00; A61M 5/44
See application file for complete search history.

FIG. 5 is a rear view thereof;

(56) **References Cited**

FIG. 6 is a left side view thereof;

U.S. PATENT DOCUMENTS

FIG. 7 is a bottom plan view thereof;

4,541,596 A * 9/1985 Price A61M 5/1415
248/125.8

FIG. 8 is a perspective view of the medical bag and pump support with feet of the support in a deployed position and tabs on the feet shown in phantom;

4,759,749 A 7/1988 Verkaart
5,082,221 A 1/1992 Lai
5,458,305 A * 10/1995 Woodward A61M 5/1415
248/121

FIG. 9 is a front view of the support of FIG. 8;

D432,298 S * 10/2000 Markowitz D3/216
D446,009 S * 8/2001 Mandell D3/216

FIG. 10 is a right side view of the support of FIG. 8;

(Continued)

FIG. 11 is a top plan view of the support of FIG. 8;

FOREIGN PATENT DOCUMENTS

WO 2004082560 A1 9/2004
WO 2015010060 A1 1/2015

FIG. 12 is a rear view of the support of FIG. 8;

FIG. 13 is a left side view of the support of FIG. 8;

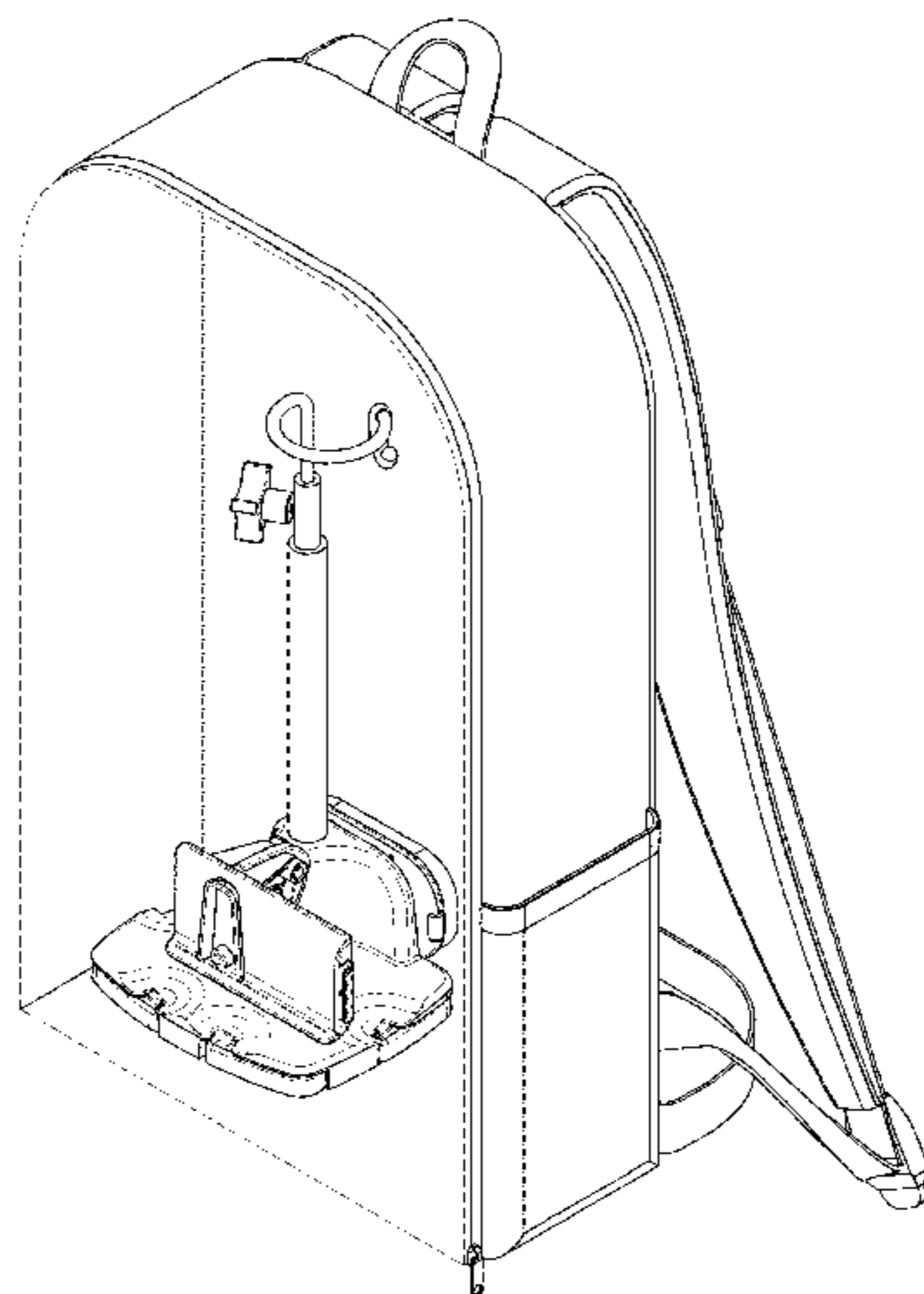
FIG. 14 is a bottom plan view of the support of FIG. 8 with internal ribs of a base and the feet of the support shown in phantom;

FIG. 15 is a perspective view of the medical bag and pump support of FIG. 8 with the feet in a stowed position; and,

FIG. 16 is a bottom plan view of the support of FIG. 15 with the internal ribs shown in phantom.

The elements shown in phantom form no part of the claimed design.

1 Claim, 16 Drawing Sheets



(56)

References Cited

U.S. PATENT DOCUMENTS

D485,432	S *	1/2004	Desrochers	D3/214
7,533,428	B2 *	5/2009	Yunker	A61M 5/1415
					248/125.8
D674,183	S *	1/2013	Iacchetti	D3/216
D690,502	S *	10/2013	Bergquist	D3/216
8,567,730	B1	10/2013	Stevenson		
D702,434	S *	4/2014	Chalk	D3/216
D706,027	S *	6/2014	Hock	D3/216
D721,482	S *	1/2015	Simmons	D3/216
9,211,381	B2 *	12/2015	Faries	A61M 5/44
D828,112	S *	9/2018	Furneaux	D7/607
2002/0088834	A1	7/2002	Wolfgram		
2005/0040126	A1	2/2005	Gaster		
2005/0269464	A1	12/2005	Adelman		
2008/0116157	A1	5/2008	Fulbrook et al.		
2010/0282807	A1	11/2010	Sisk et al.		
2013/0075438	A1	3/2013	Christy		

OTHER PUBLICATIONS

Written Opinion of the International Searching Authority dated Feb. 3, 2017 in related International Application No. PCT/US2016/024900, 9 pages.

Examiner's Report dated Jan. 10, 2017 in related Canadian Application No. 170774, 2 pages.

Office Action dated Jan. 12, 2018 in related U.S. Appl. No. 15/084,694, 12 pages.

* cited by examiner

FIG. 1

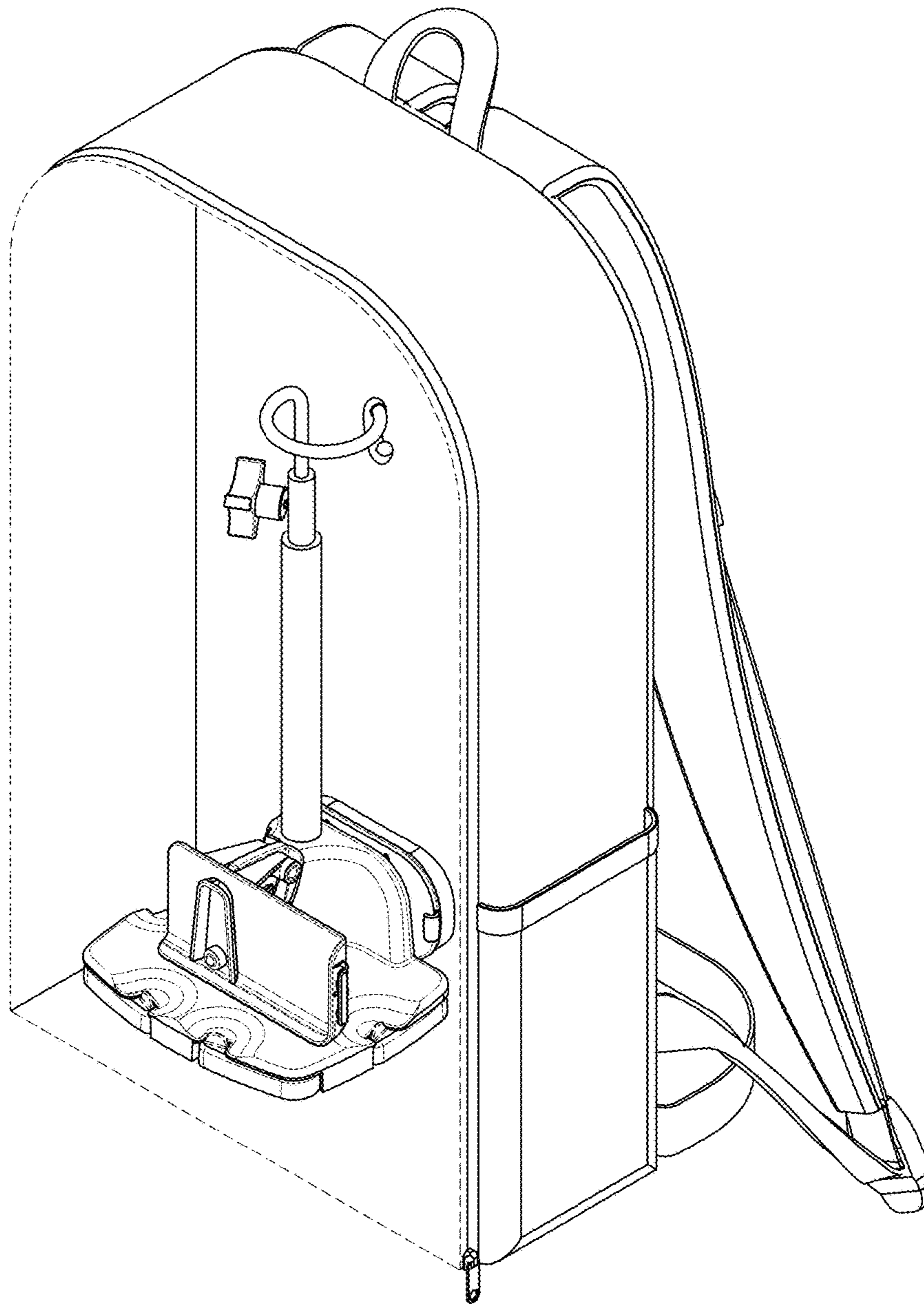


FIG. 2

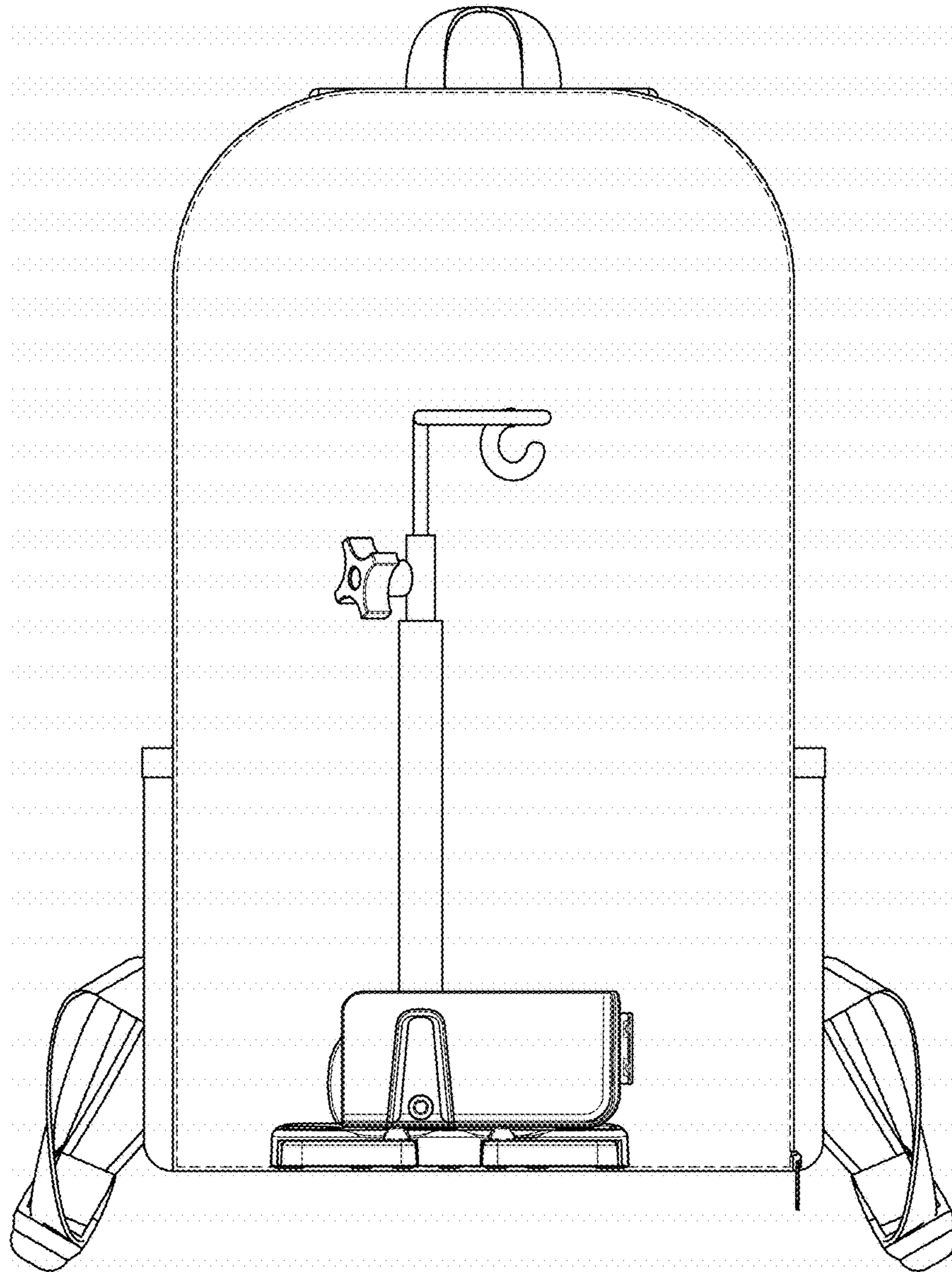


FIG. 3

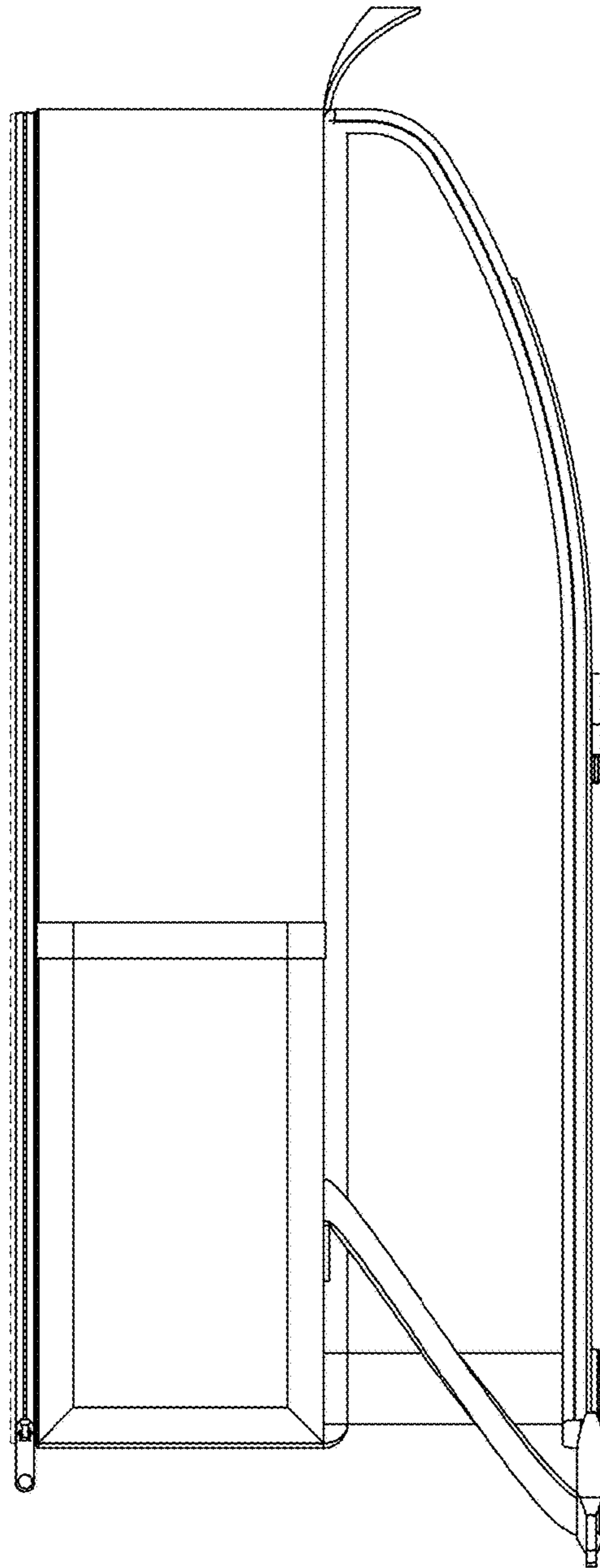


FIG. 4

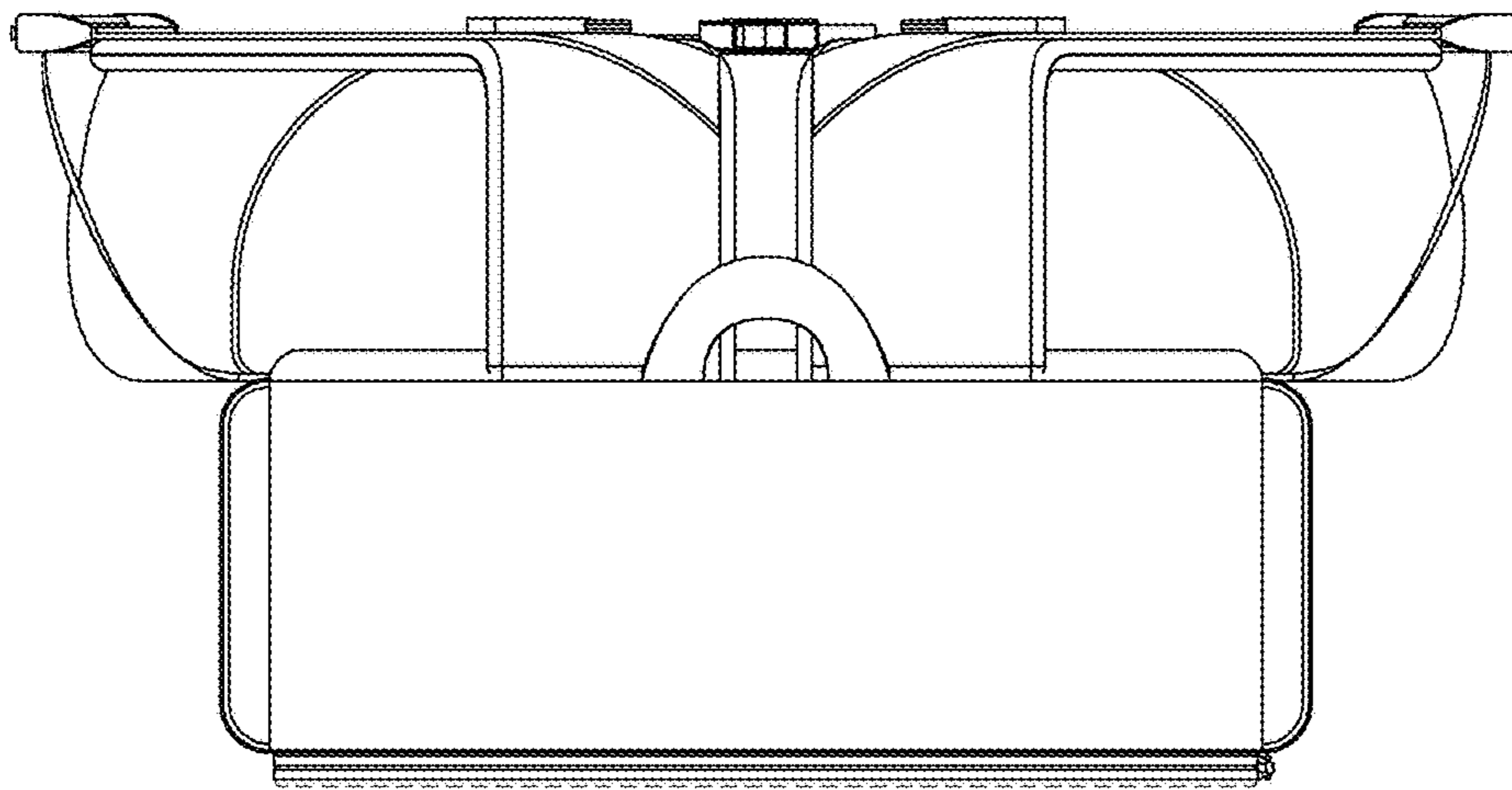


FIG. 5

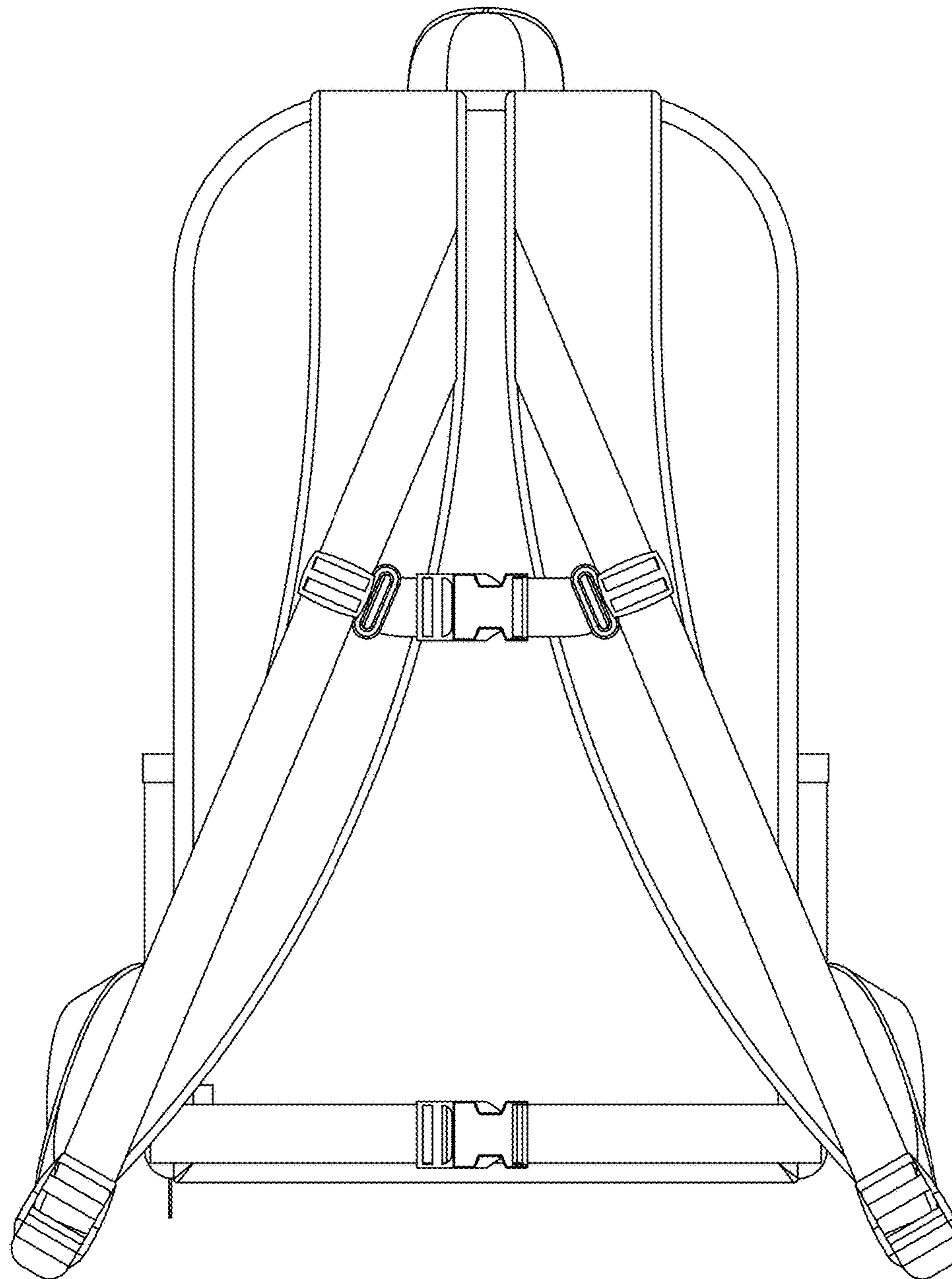


FIG. 6

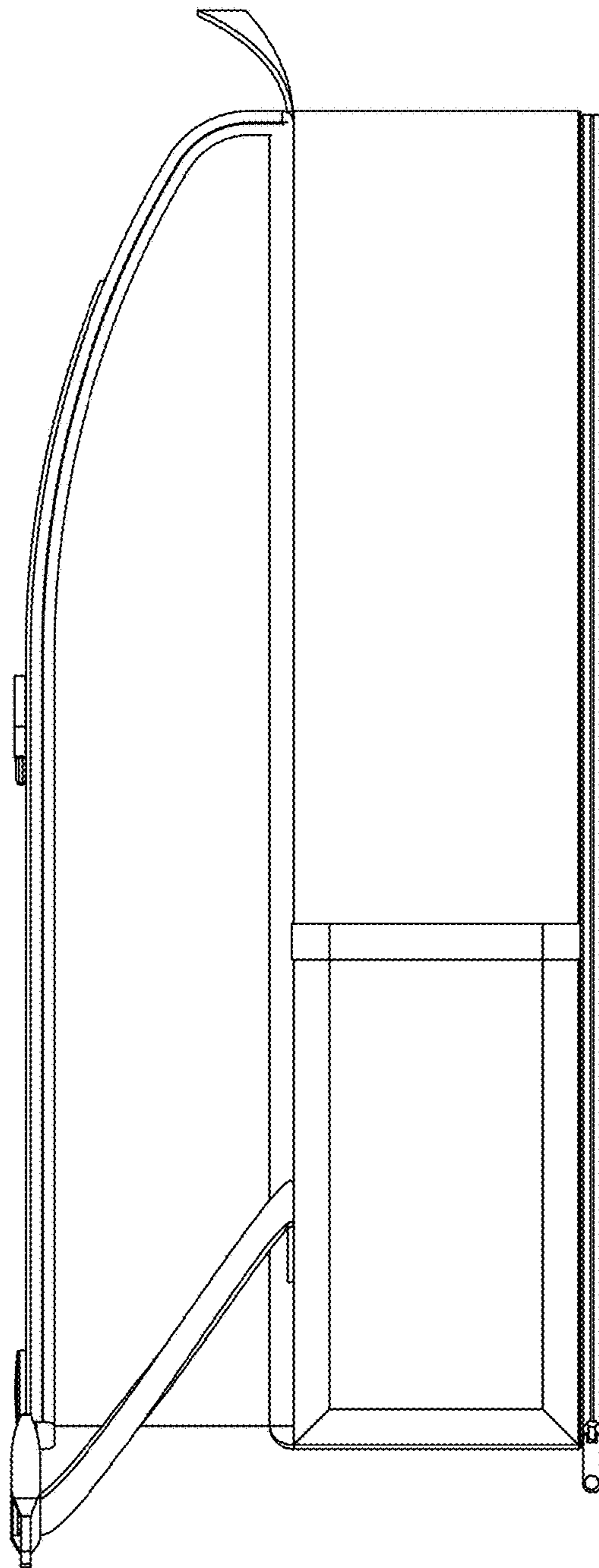


FIG. 7

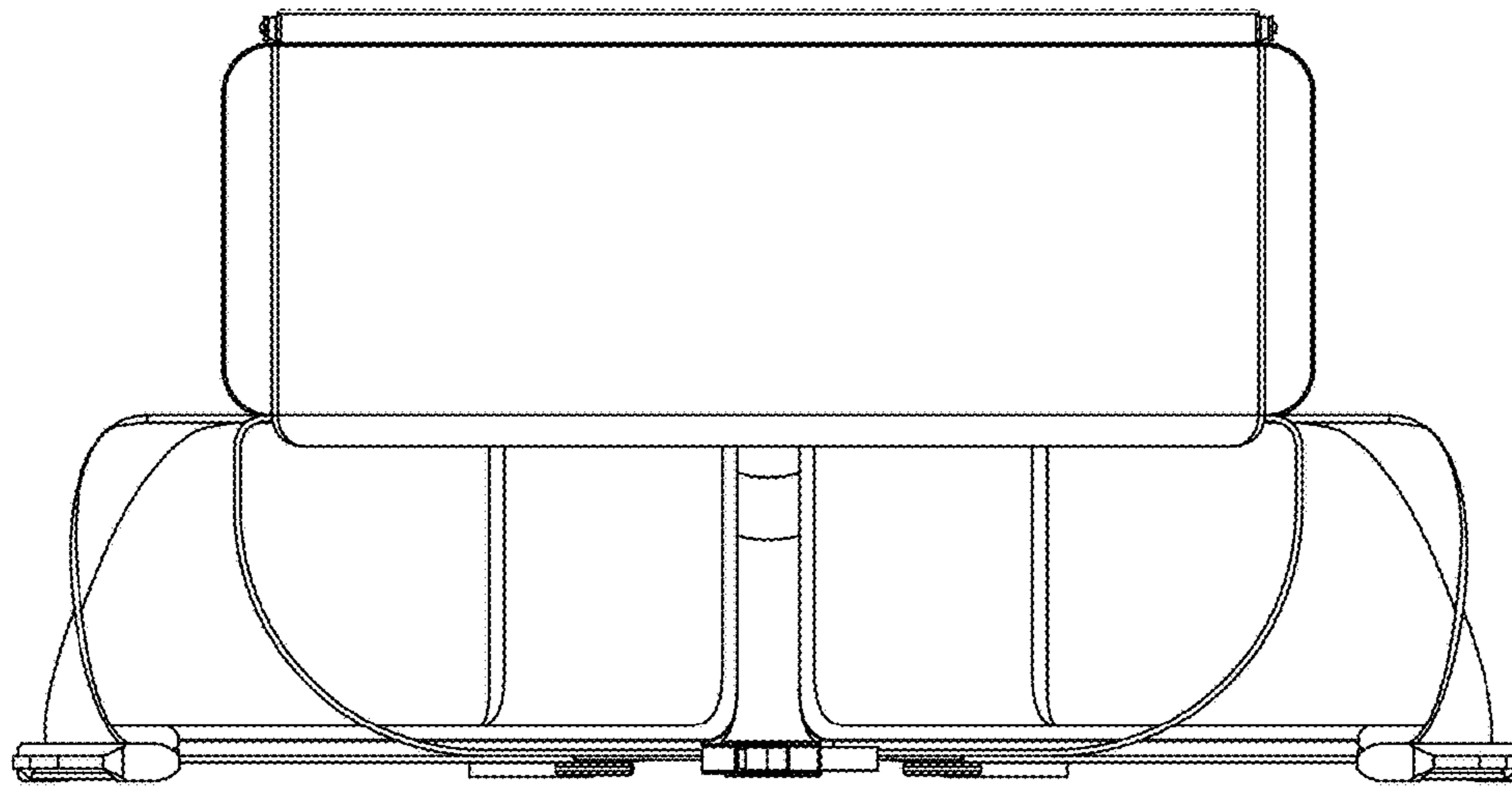


FIG. 8

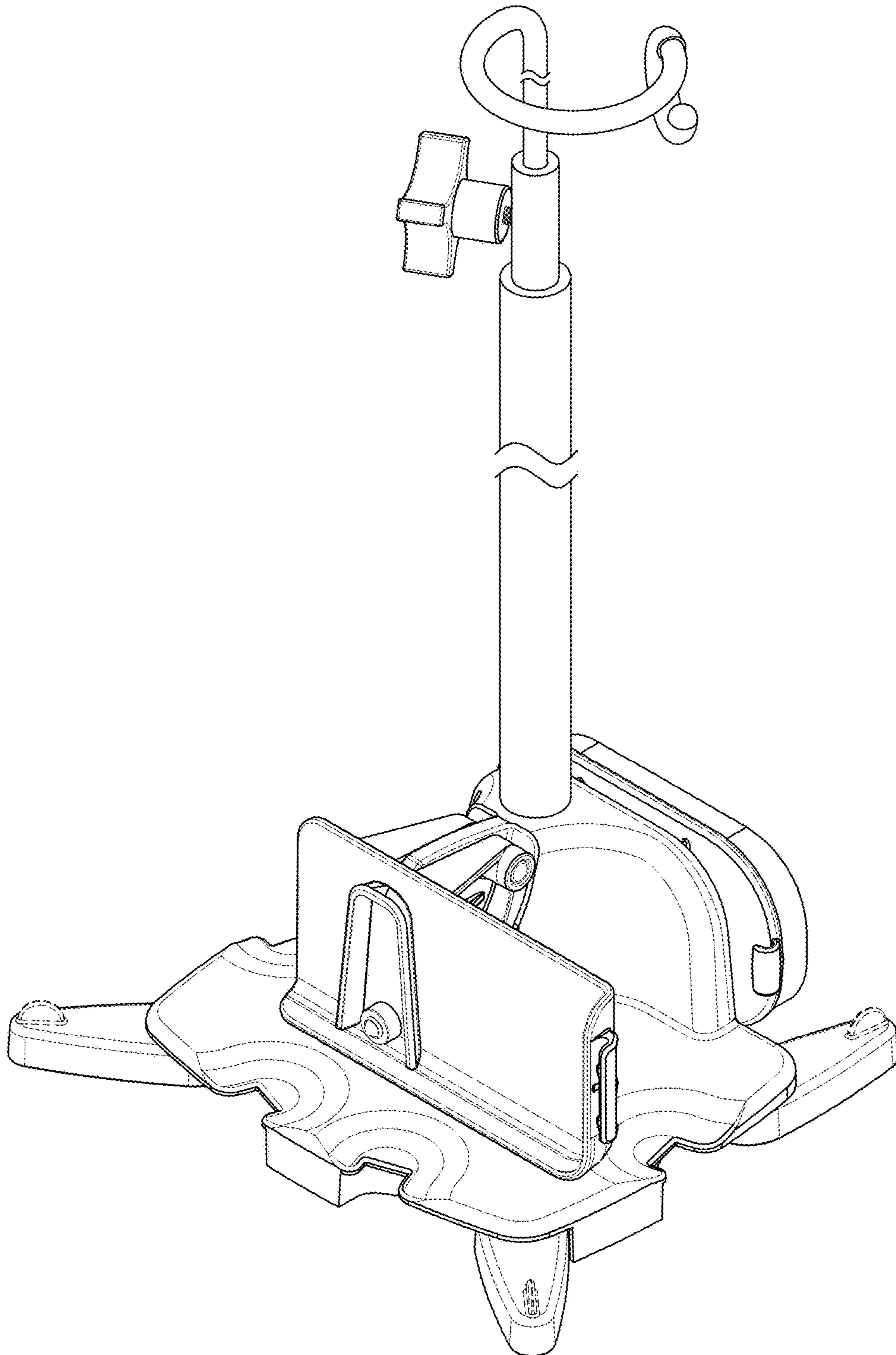


FIG. 9

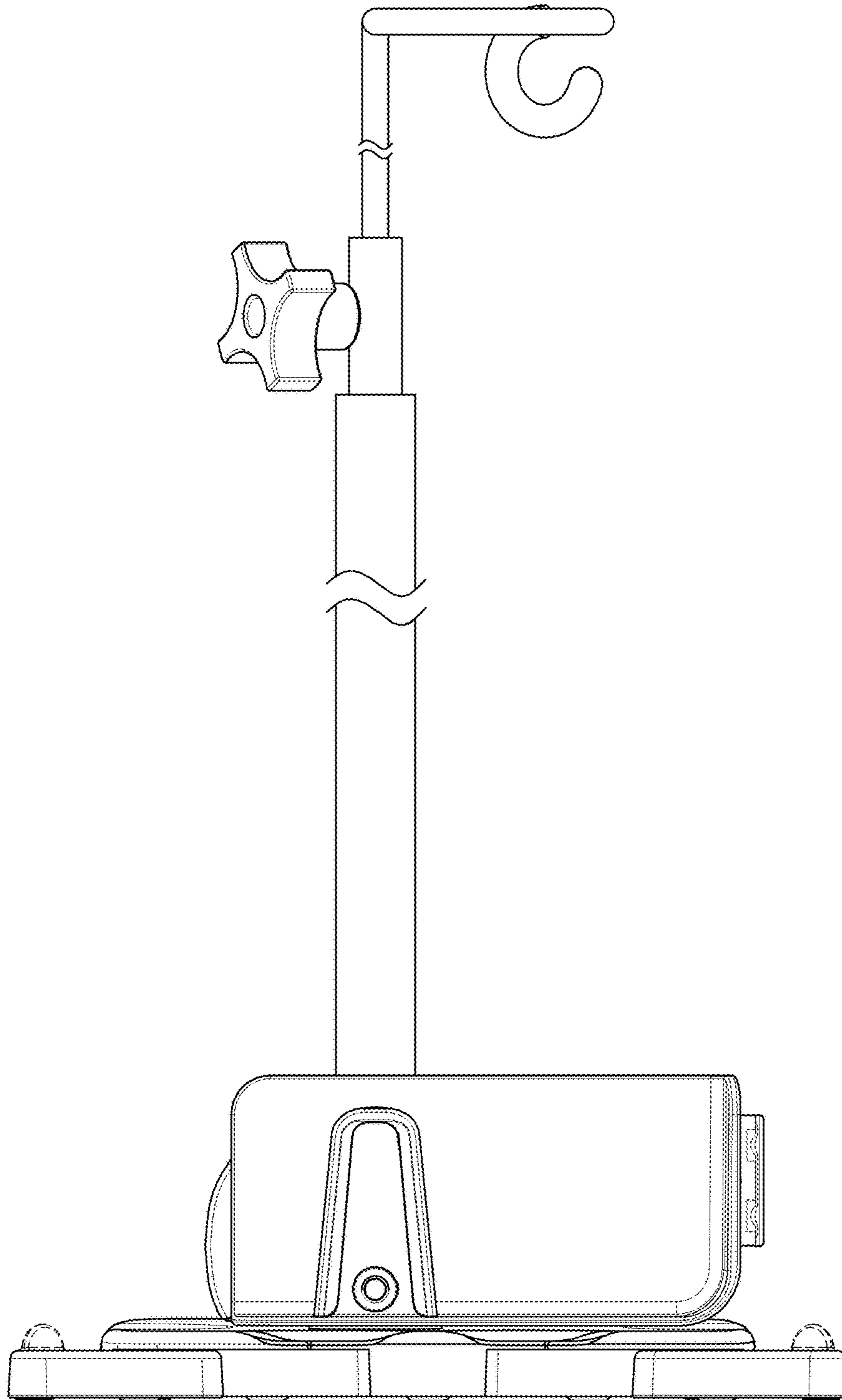


FIG. 10

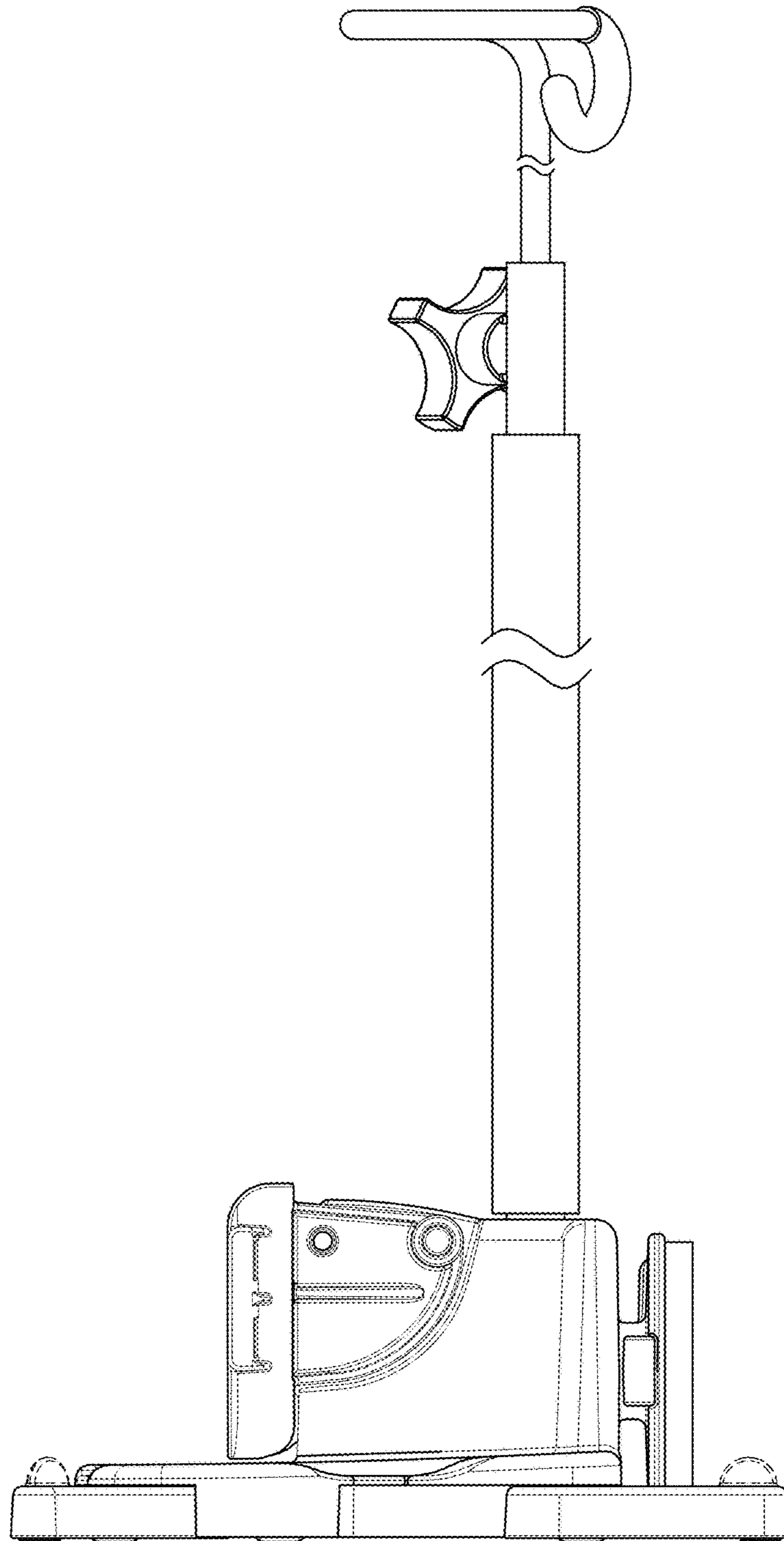


FIG. 11

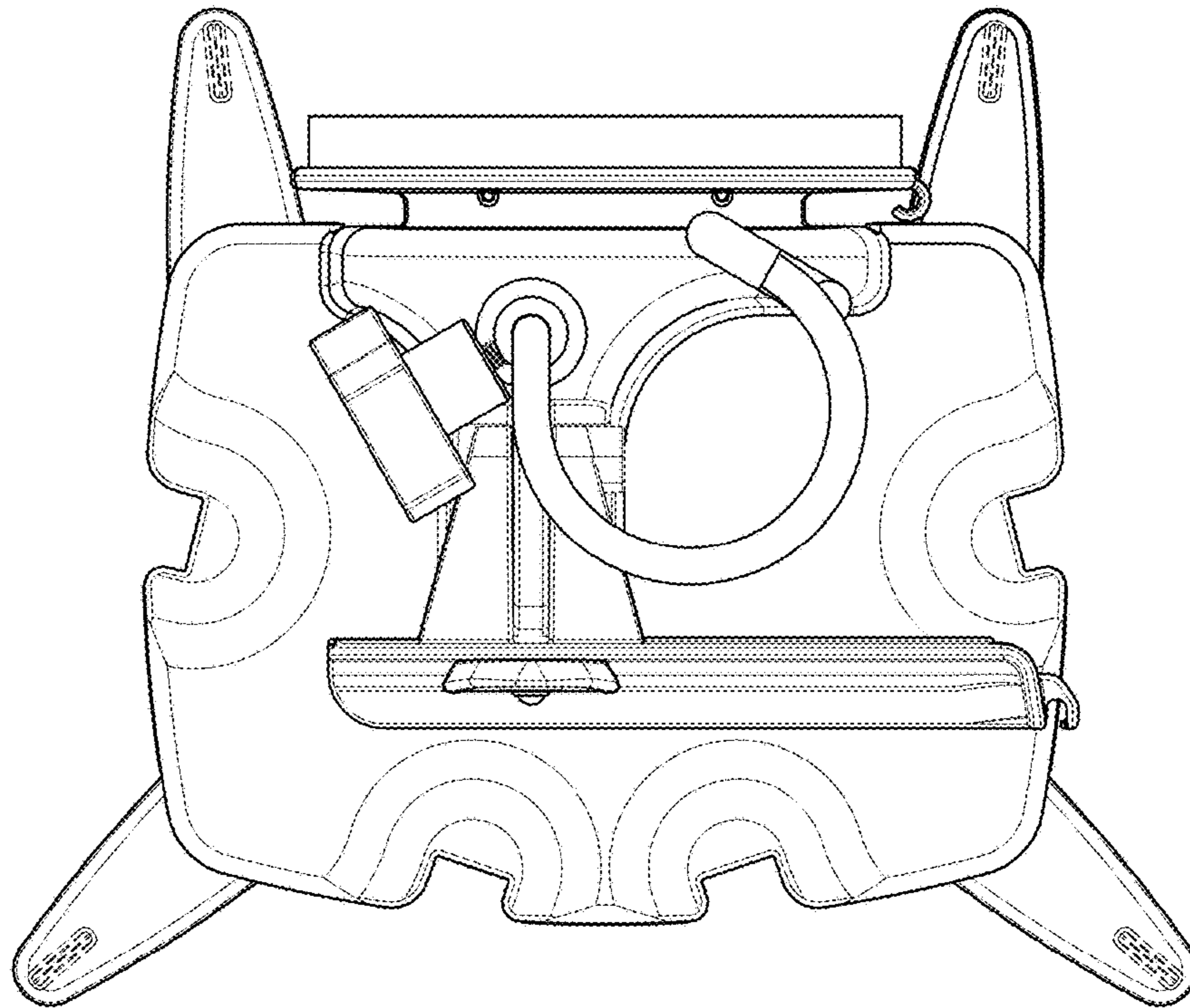


FIG. 12

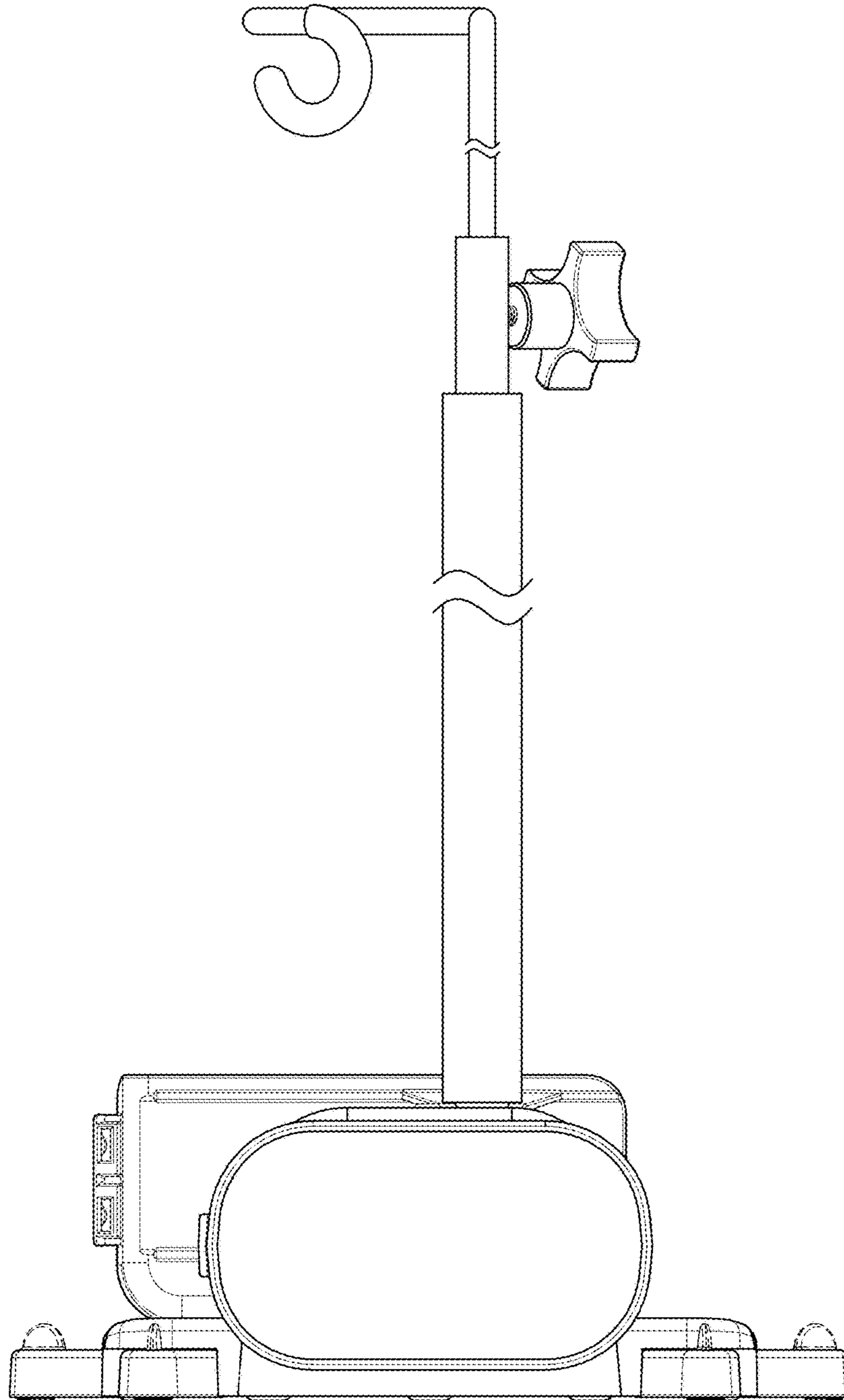


FIG. 13

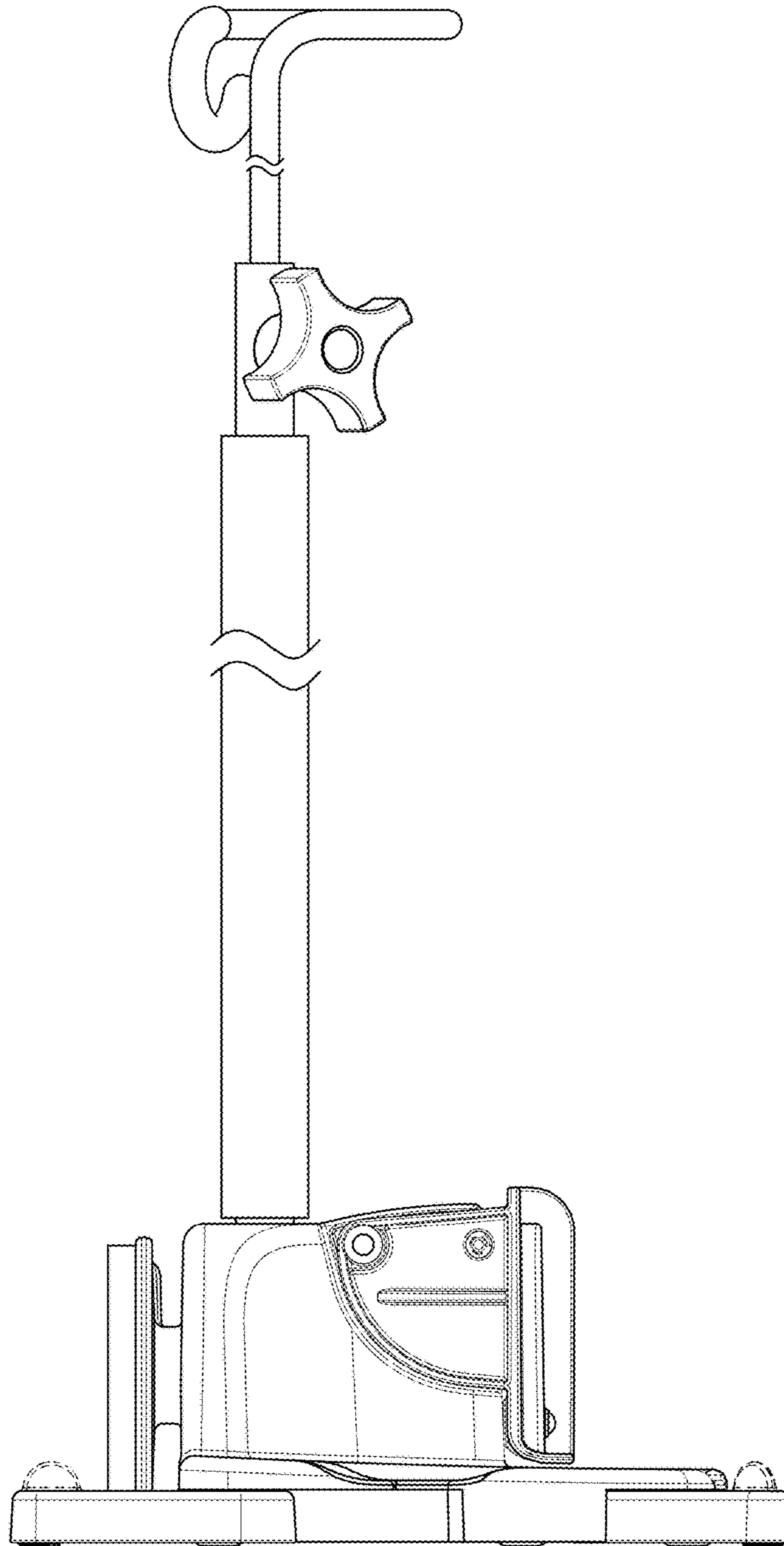


FIG. 14

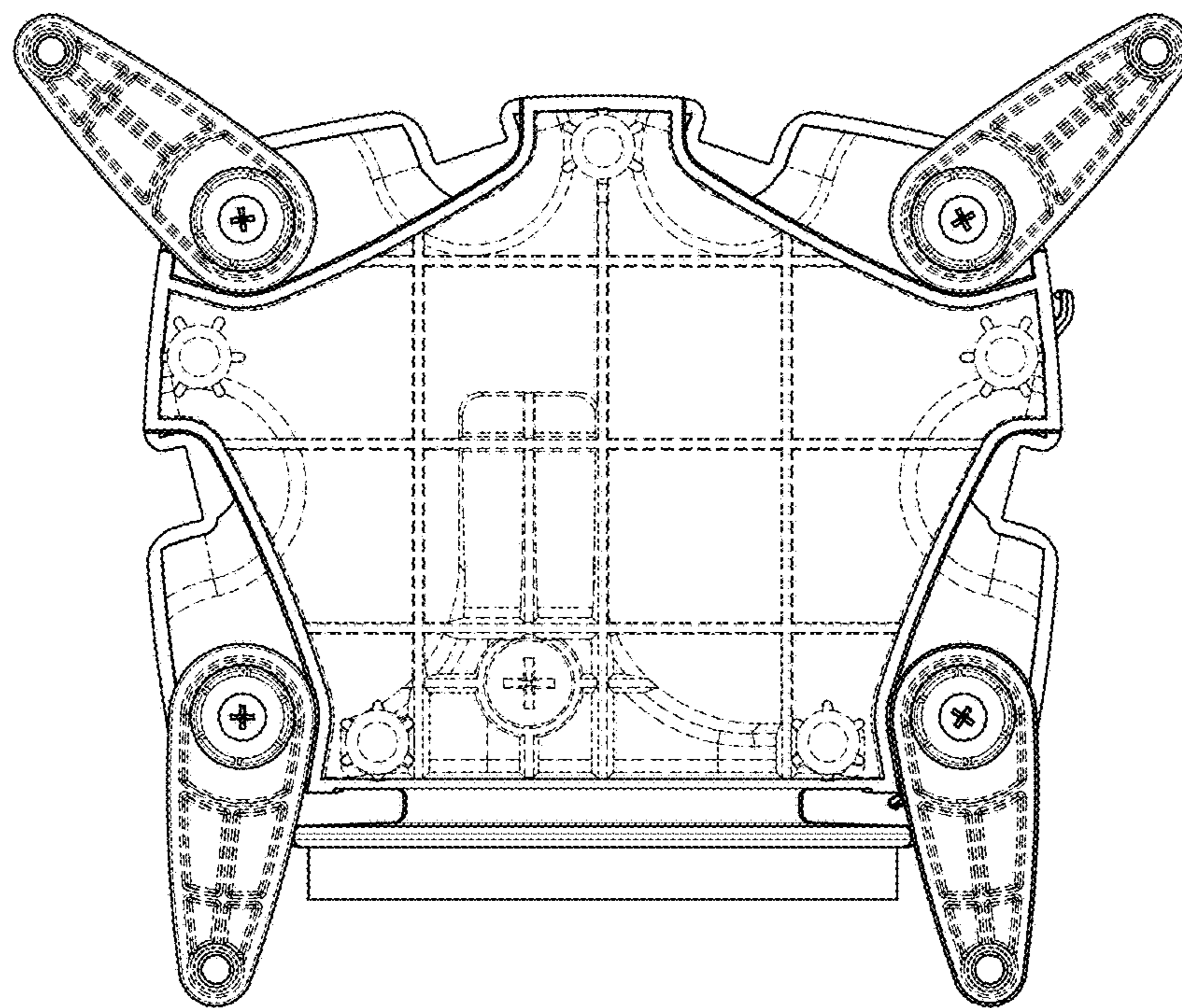


FIG. 15

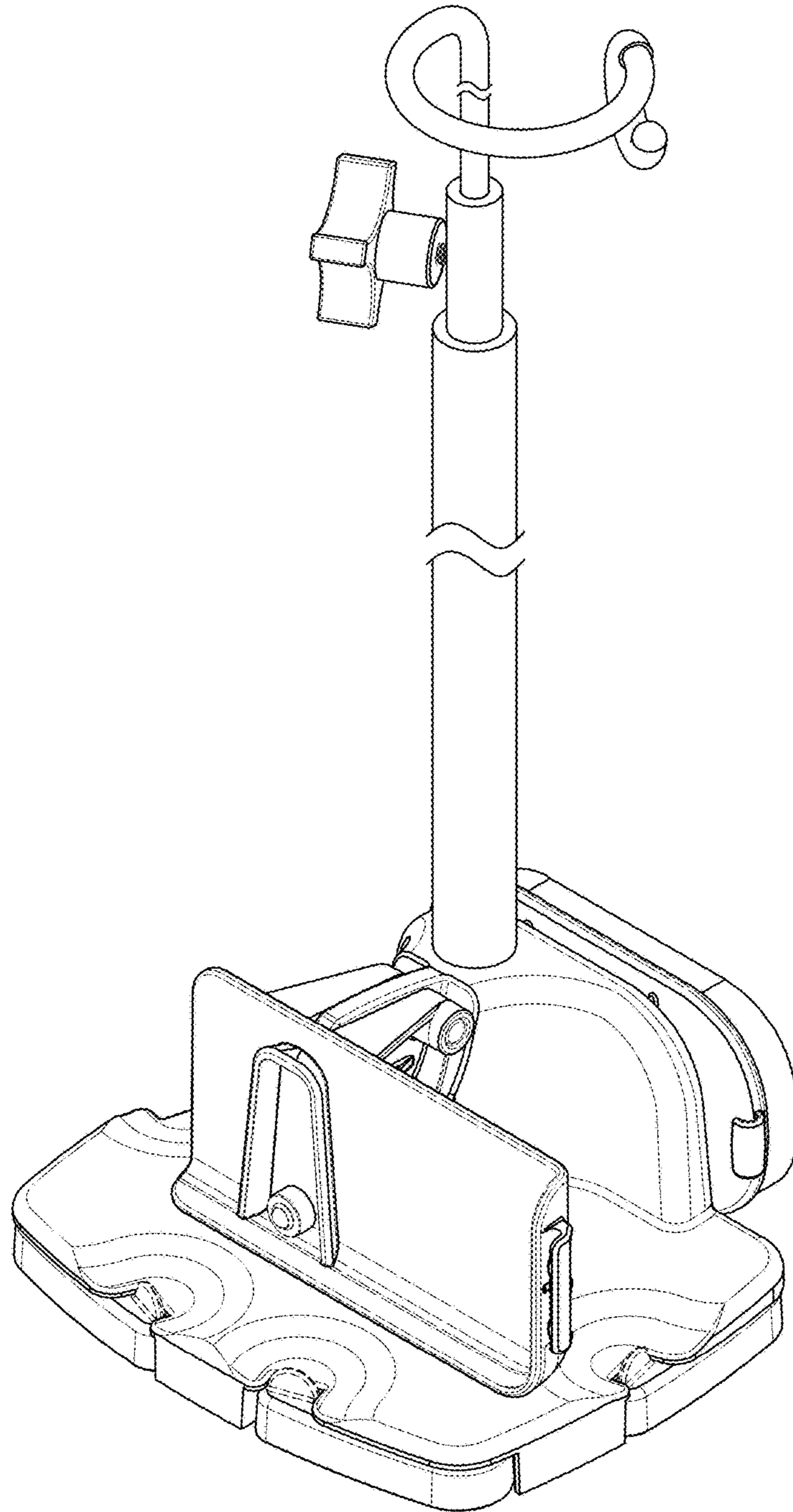


FIG. 16

