



US00D855991S

(12) **United States Design Patent** (10) **Patent No.:** **US D855,991 S**
Hsu (45) **Date of Patent:** **** Aug. 13, 2019**

(54) **CONTAINER**

(71) Applicant: **L&F PLASTICS, CO., LTD.**, Miaoli County (TW)

(72) Inventor: **Mu-Chuan Hsu**, Miaoli County (TW)

(73) Assignee: **L&F PLASTICS, CO., LTD.** (TW)

(**) Term: **15 Years**

(21) Appl. No.: **29/675,530**

(22) Filed: **Jan. 3, 2019**

Related U.S. Application Data

(62) Division of application No. 29/612,816, filed on Aug. 4, 2017, now Pat. No. Des. 841,980.

(30) **Foreign Application Priority Data**

Feb. 20, 2017 (TW) 105307556 D02
Feb. 20, 2017 (TW) 105307558 D02
Mar. 28, 2017 (TW) 105307556 D03
Mar. 28, 2017 (TW) 105307558 D03

(51) **LOC (12) Cl.** **03-01**

(52) **U.S. Cl.**
USPC **D3/304**

(58) **Field of Classification Search**

USPC D3/203.1, 203.6, 225, 218, 273, 302, D3/304, 314; D30/161
CPC A45C 13/083; A47F 1/04; B65D 71/0003; B65D 2543/00222; B65D 2543/00296
See application file for complete search history.

(56) **References Cited**

U.S. PATENT DOCUMENTS

1,862,609 A * 6/1932 Shaw B65D 21/0213
206/509
2,916,161 A * 12/1959 Schaefer B65D 21/0215
206/512

3,113,680 A 12/1963 Frater et al.
D274,012 S 5/1984 Williams
D301,927 S * 6/1989 Williams, Jr. D3/304
D309,970 S * 8/1990 Embree D3/304

(Continued)

Primary Examiner — Kelley A Donnelly

(74) *Attorney, Agent, or Firm* — Alan D. Kamrath; Mayer & Williams PC

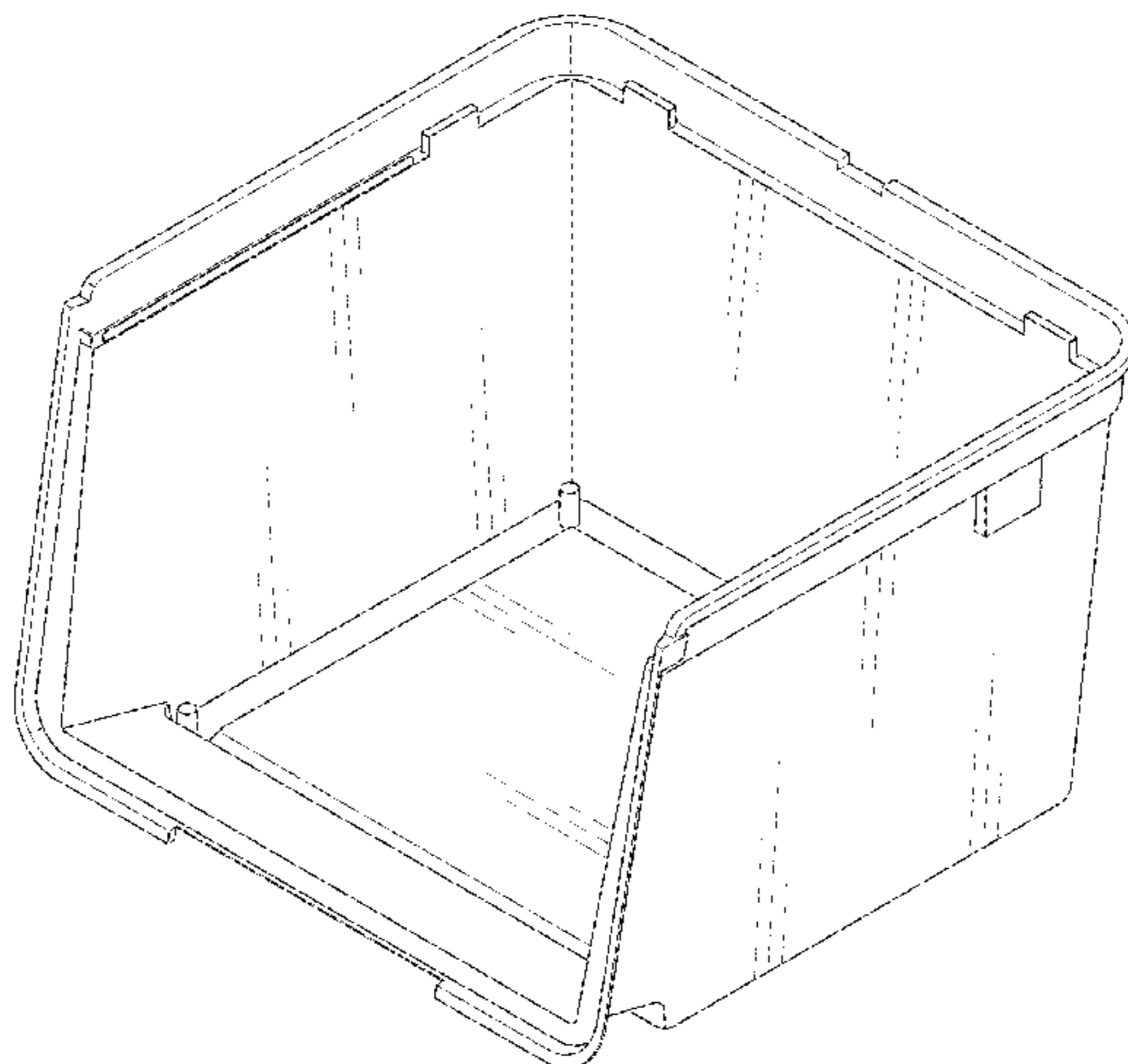
(57) **CLAIM**

The ornamental design for a container, as shown and described.

DESCRIPTION

FIG. 1 is a perspective view of a container showing my new design;
FIG. 2 is a front side elevational view thereof;
FIG. 3 is a rear side elevational view thereof;
FIG. 4 is a right side elevational view thereof, with the left side elevational view being a mirror image thereof;
FIG. 5 is a top plan view thereof;
FIG. 6 is a bottom plan view thereof;
FIG. 7 is a rear perspective view thereof;
FIG. 8 is a perspective view of article in use thereof;
FIG. 9 is a perspective view showing a container of an alternate embodiment of my design;
FIG. 10 is a front side elevational view of the container of FIG. 9;
FIG. 11 is a rear side elevational view of the container of FIG. 9;
FIG. 12 is a right side elevational view of the container of FIG. 9, with the left side elevational view being a mirror image of the container of FIG. 9;
FIG. 13 is a top plan view of the container of FIG. 9;
FIG. 14 is a bottom plan view of the container of FIG. 9;
FIG. 15 is a rear perspective view of the container of FIG. 9; and,
FIG. 16 is a perspective view of article in use of the container of FIG. 9.

1 Claim, 16 Drawing Sheets



(56)

References Cited

U.S. PATENT DOCUMENTS

D327,561 S *	6/1992	Hradisky	D3/307	D666,829 S	9/2012	Liao	
D327,971 S	7/1992	Cugley		D677,055 S *	3/2013	Nowicky	D3/304
D336,698 S *	6/1993	Conaway	D3/307	D683,962 S	6/2013	Brunner	
D380,880 S *	7/1997	Reid	D30/118	D689,718 S *	9/2013	Puckett	D6/683
D425,703 S *	5/2000	Ohayon	D3/201	D690,514 S *	10/2013	Shamp	D3/304
D436,728 S *	1/2001	Harding	D3/201	D699,034 S	2/2014	Engert	
D467,052 S *	12/2002	Van Lanningham, Jr.	D34/1	D716,552 S *	11/2014	Theisen	D3/304
D473,377 S *	4/2003	Chandaria	D3/304	D727,072 S *	4/2015	Sorel	D6/683
D517,319 S *	3/2006	Wisnoski	D3/304	D731,185 S	6/2015	Hsu	
D538,539 S	3/2007	Richardson et al.		D731,186 S	6/2015	Hsu	
D545,060 S *	6/2007	Cheng	D3/304	D731,794 S	6/2015	Hurst	
D547,973 S *	8/2007	Brown	D3/313	D745,781 S	12/2015	Hsu	
D581,159 S	11/2008	Neilsen		D762,065 S	7/2016	Hsu	
D581,670 S	12/2008	Neilsen		D764,170 S *	8/2016	Bougay	D3/304
D582,190 S	12/2008	Valiulis et al.		D766,574 S	9/2016	Hsu	
D583,562 S *	12/2008	Ghiorghie	D3/304	D769,622 S *	10/2016	Frank	D3/304
D600,017 S *	9/2009	Christie	D3/304	D777,428 S	1/2017	Hsu	
D606,314 S	12/2009	Neilsen		D778,608 S	2/2017	Hsu	
D639,562 S	6/2011	Cadwell		D790,856 S *	7/2017	Levy	D3/304
D651,801 S	1/2012	Brown		D791,481 S *	7/2017	Frank	D3/304
				D793,774 S *	8/2017	Kelly	D6/675
				D797,451 S *	9/2017	Levy	D3/304
				D831,921 S *	10/2018	Thuma	D34/1

* cited by examiner

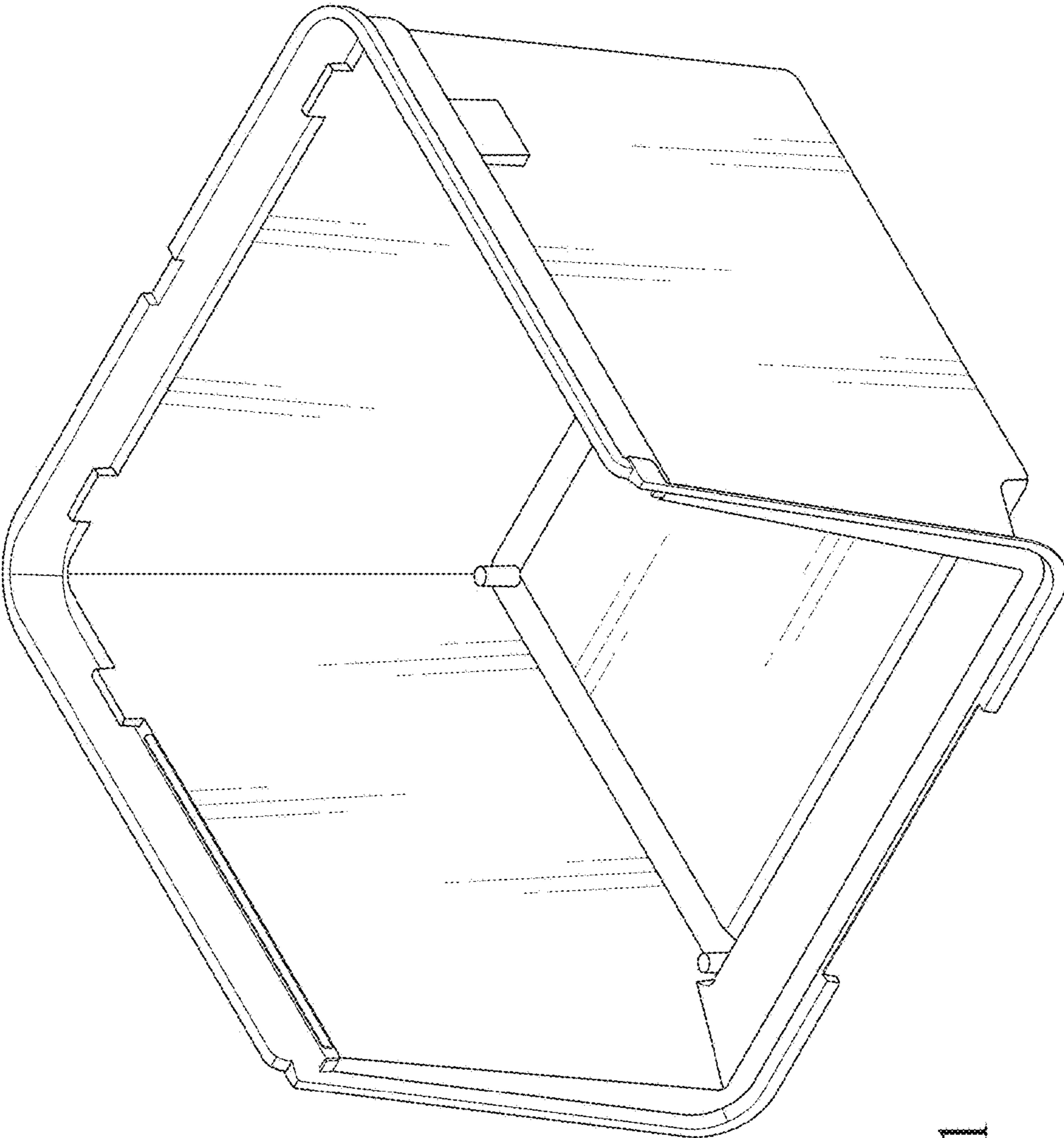


FIG. 1

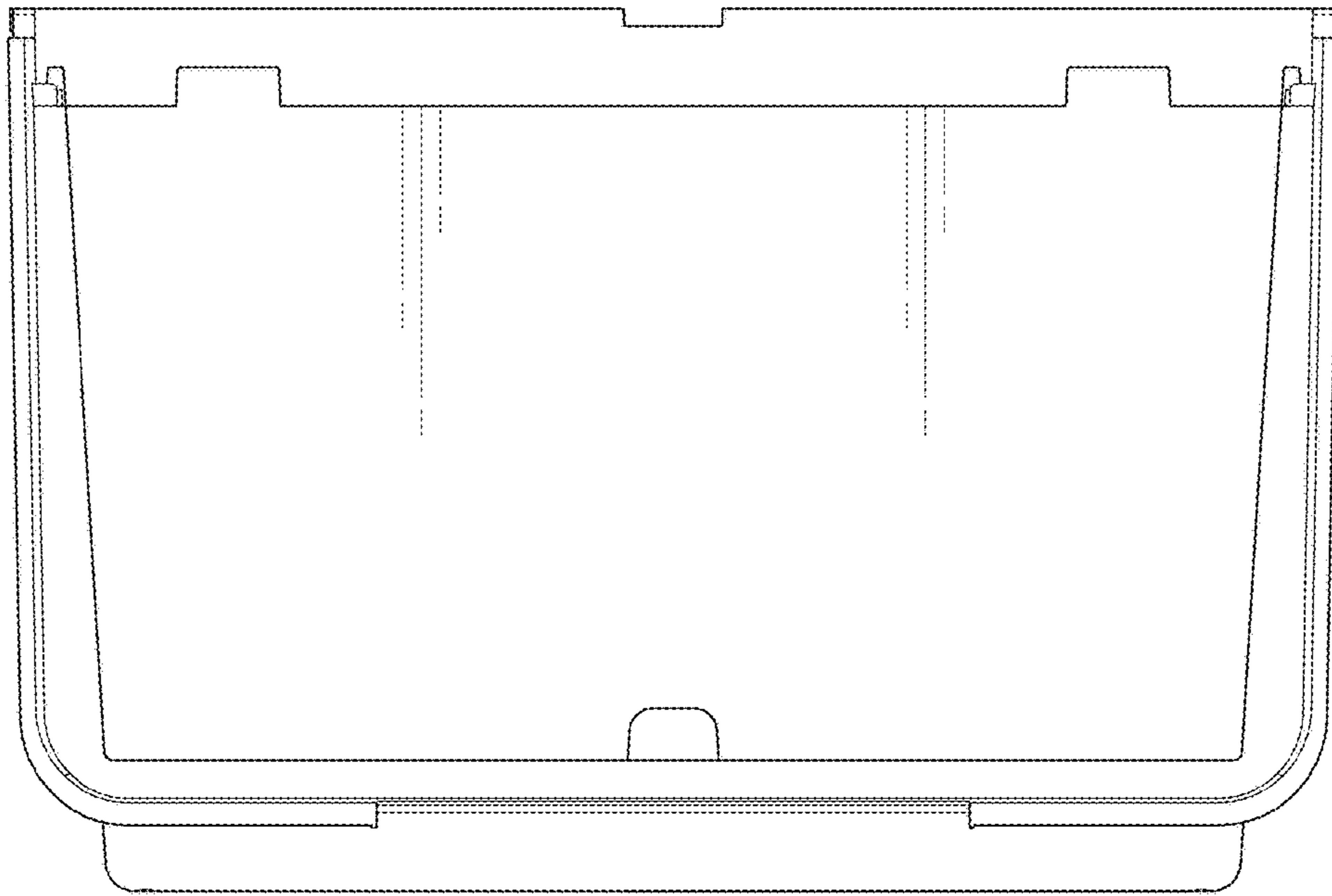


FIG. 2

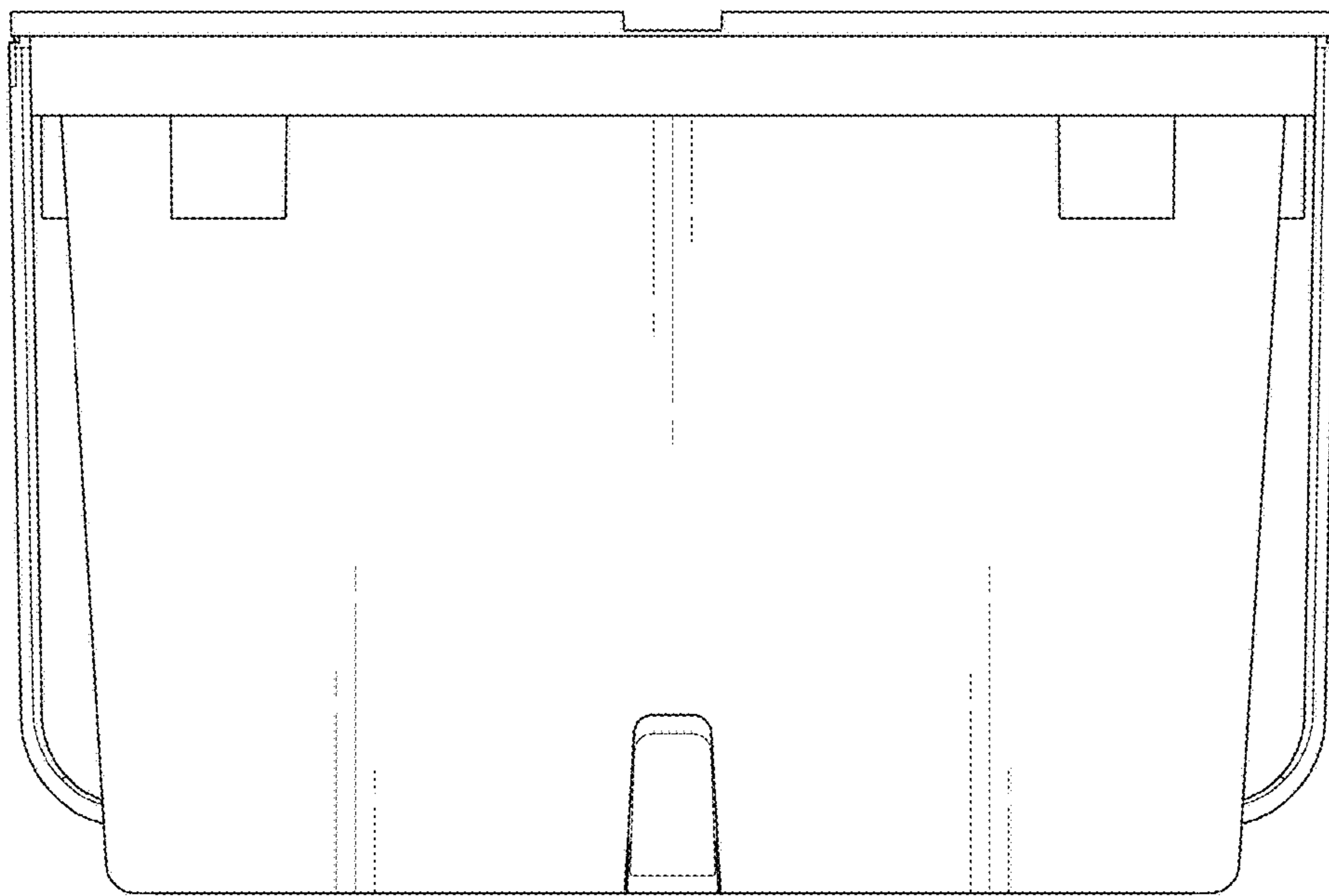


FIG. 3

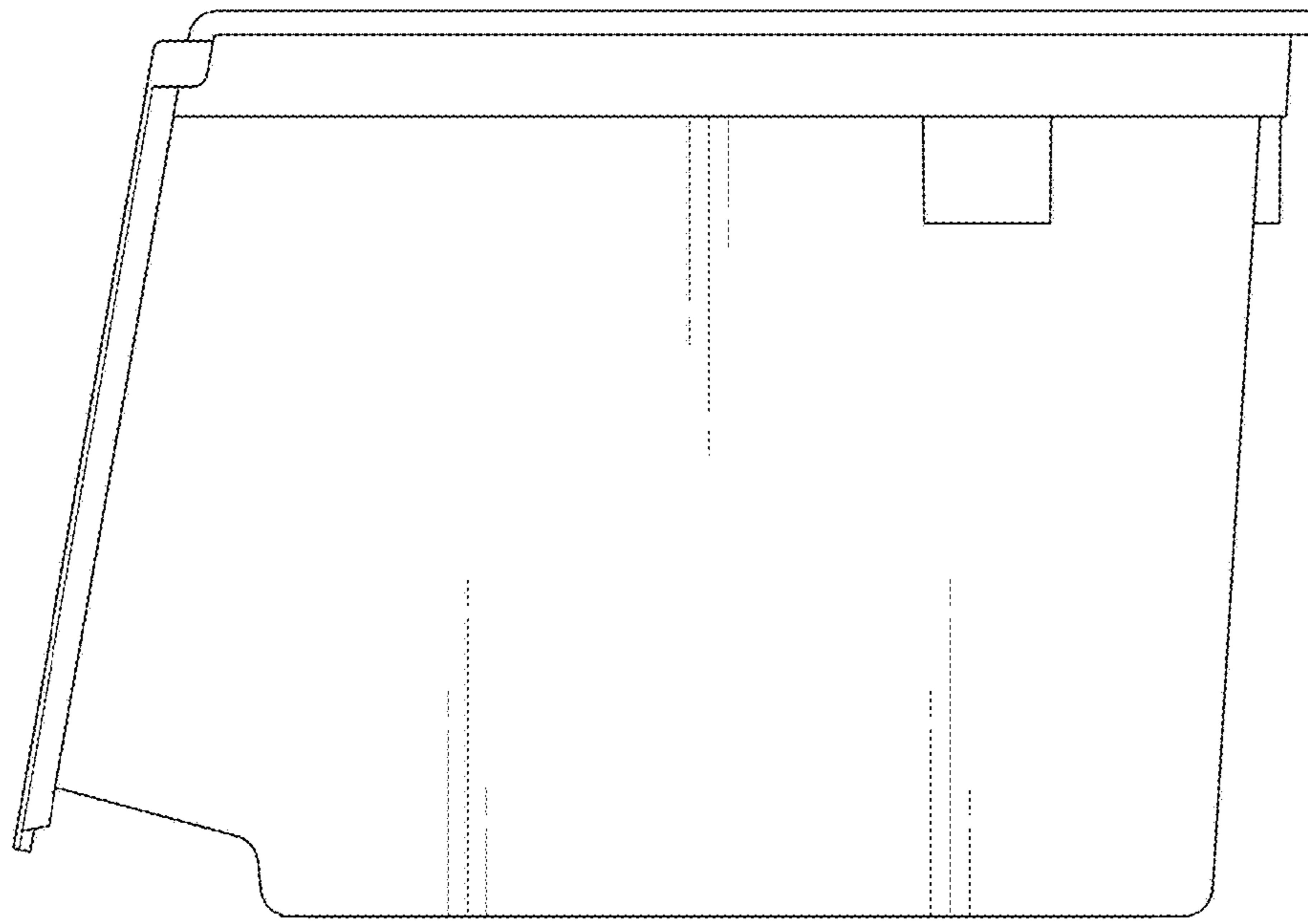


FIG. 4

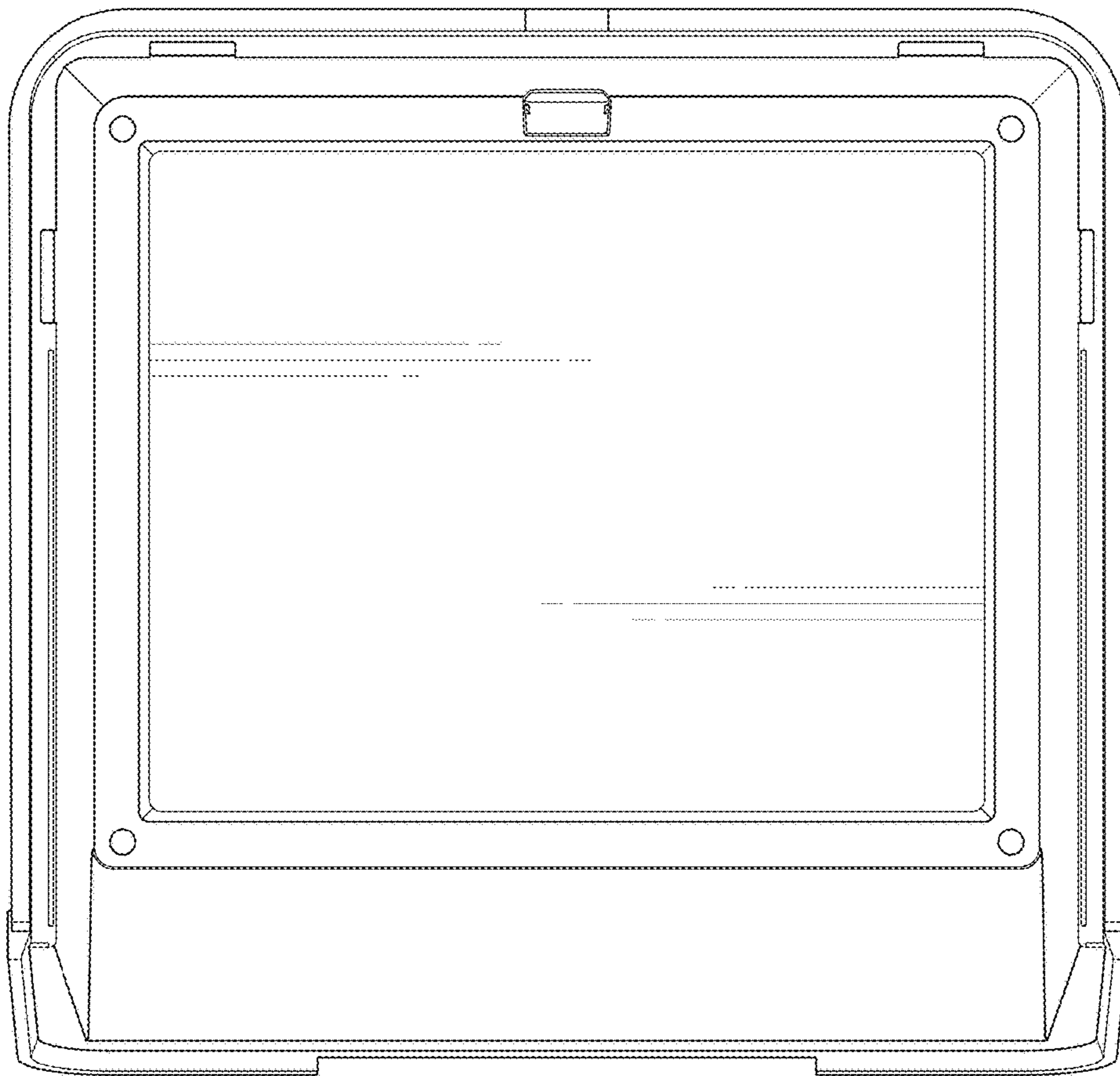


FIG. 5

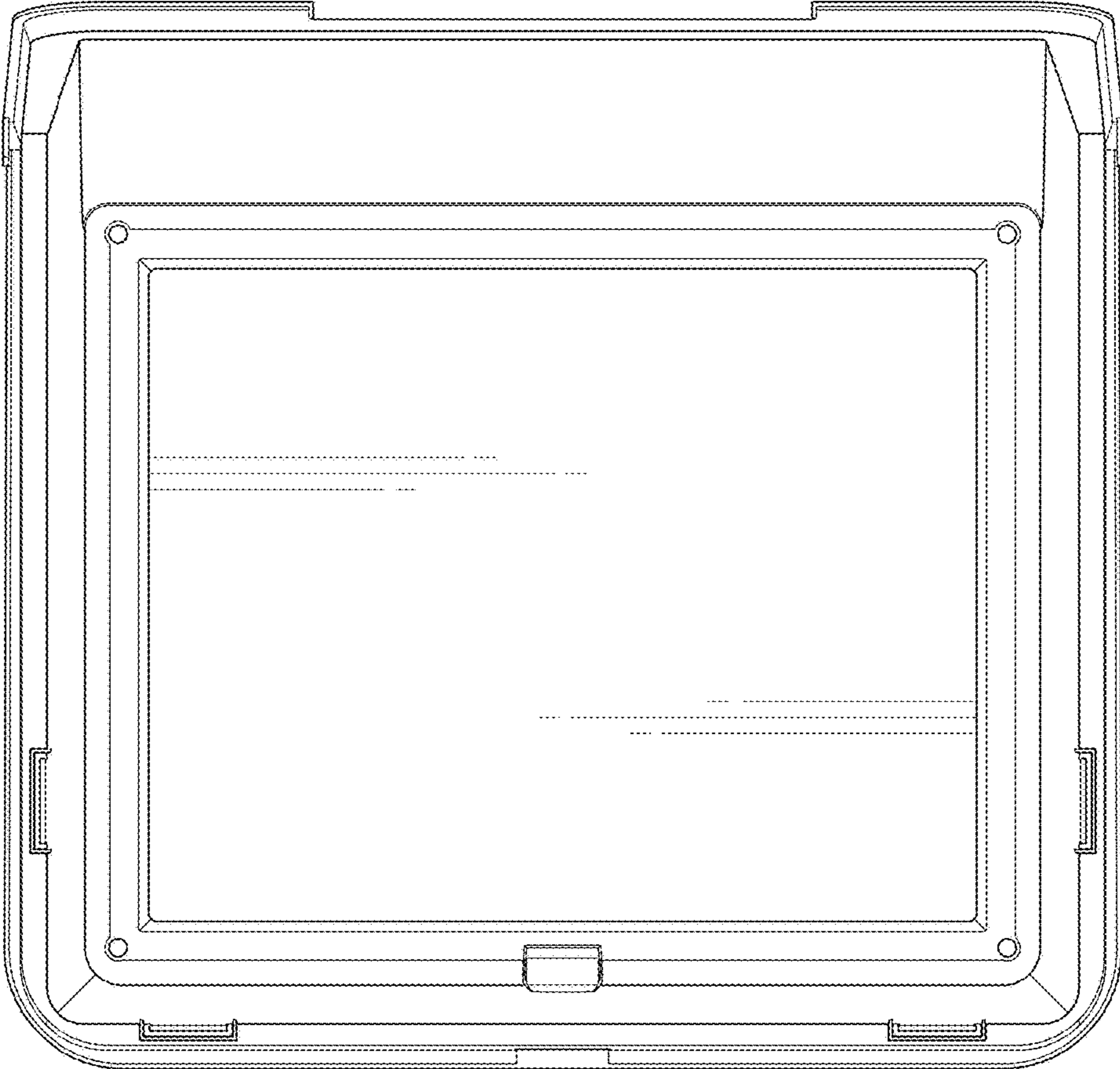


FIG. 6

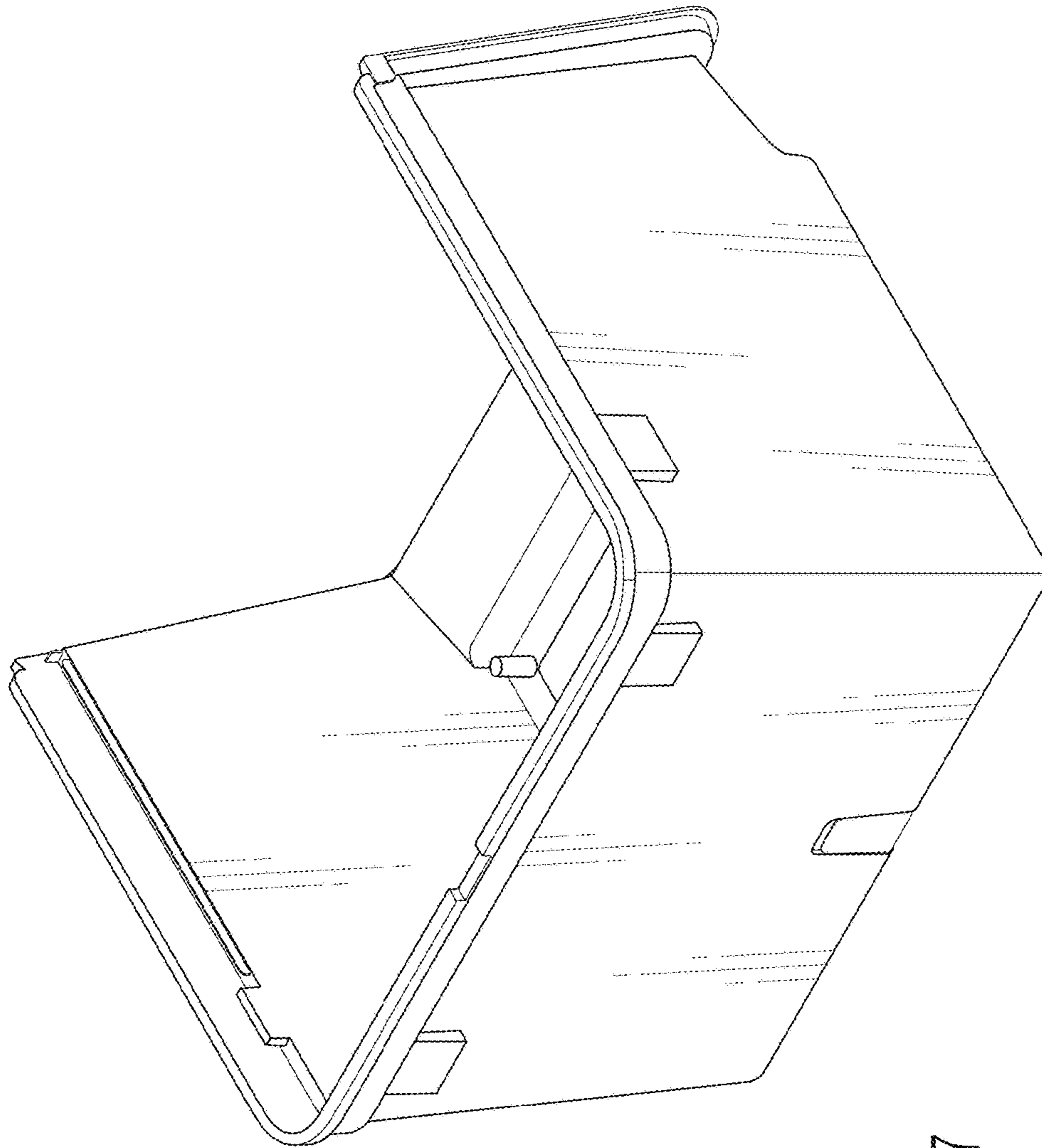


FIG. 7

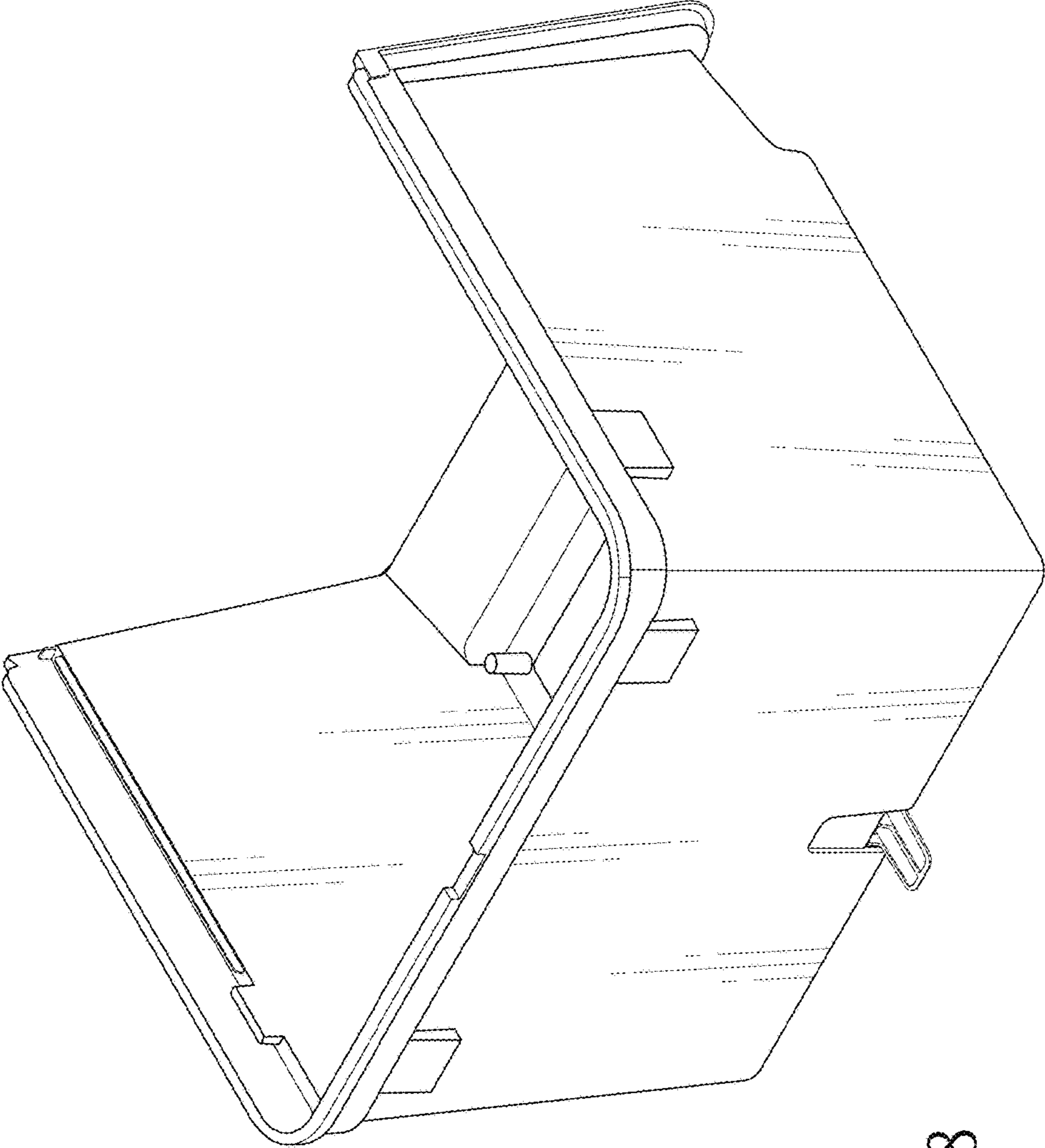


FIG. 8

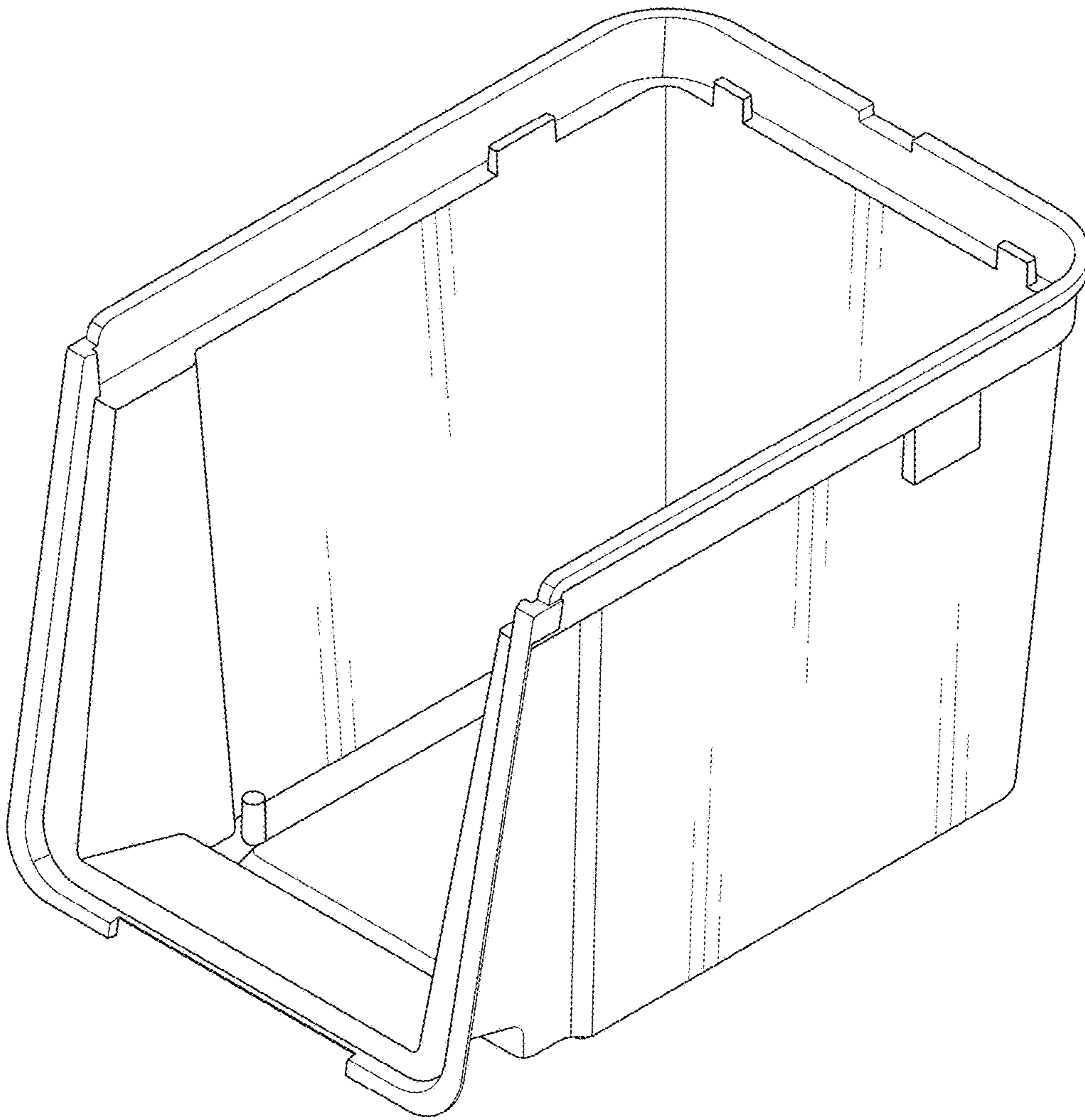


FIG. 9

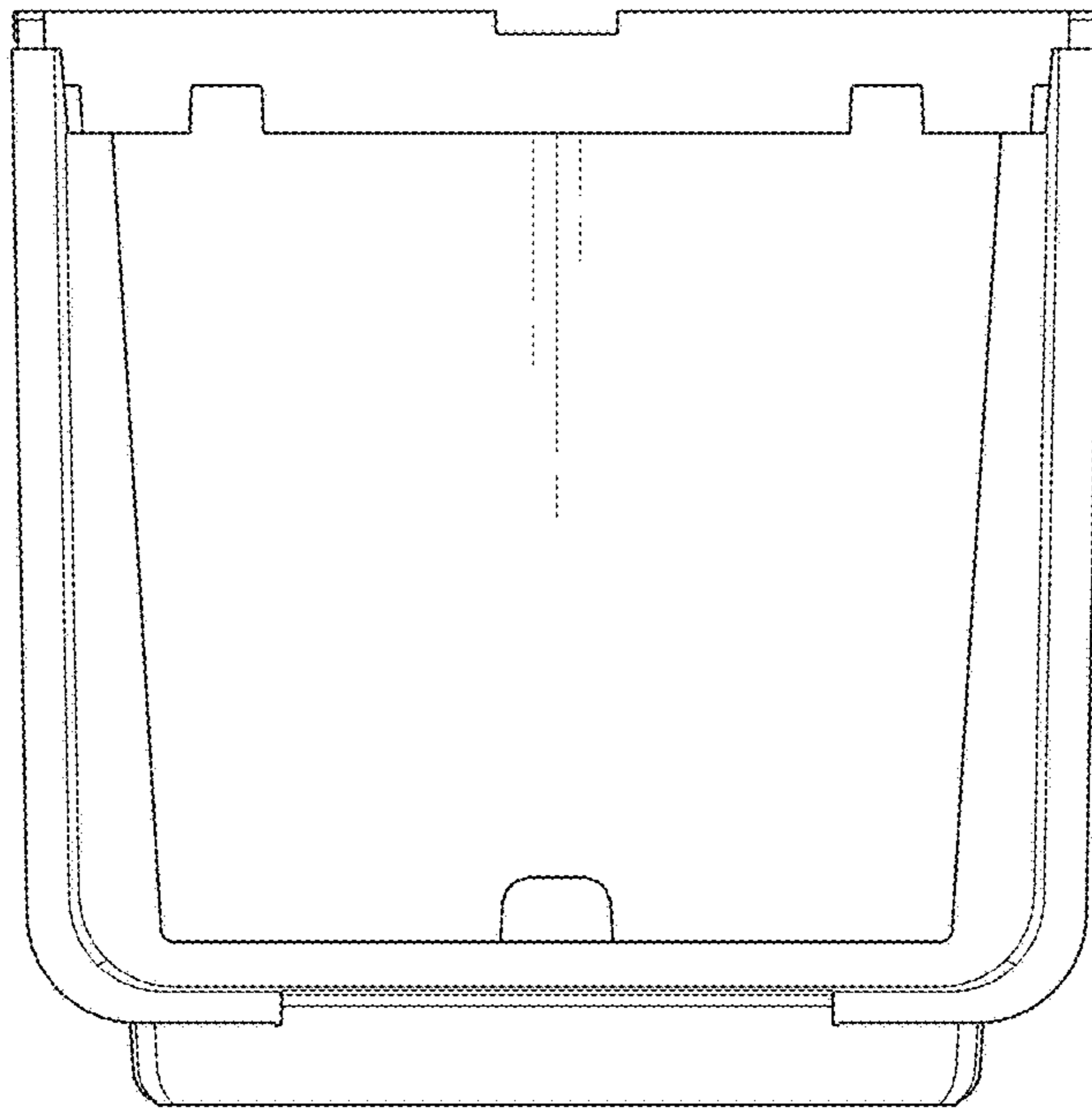


FIG. 10

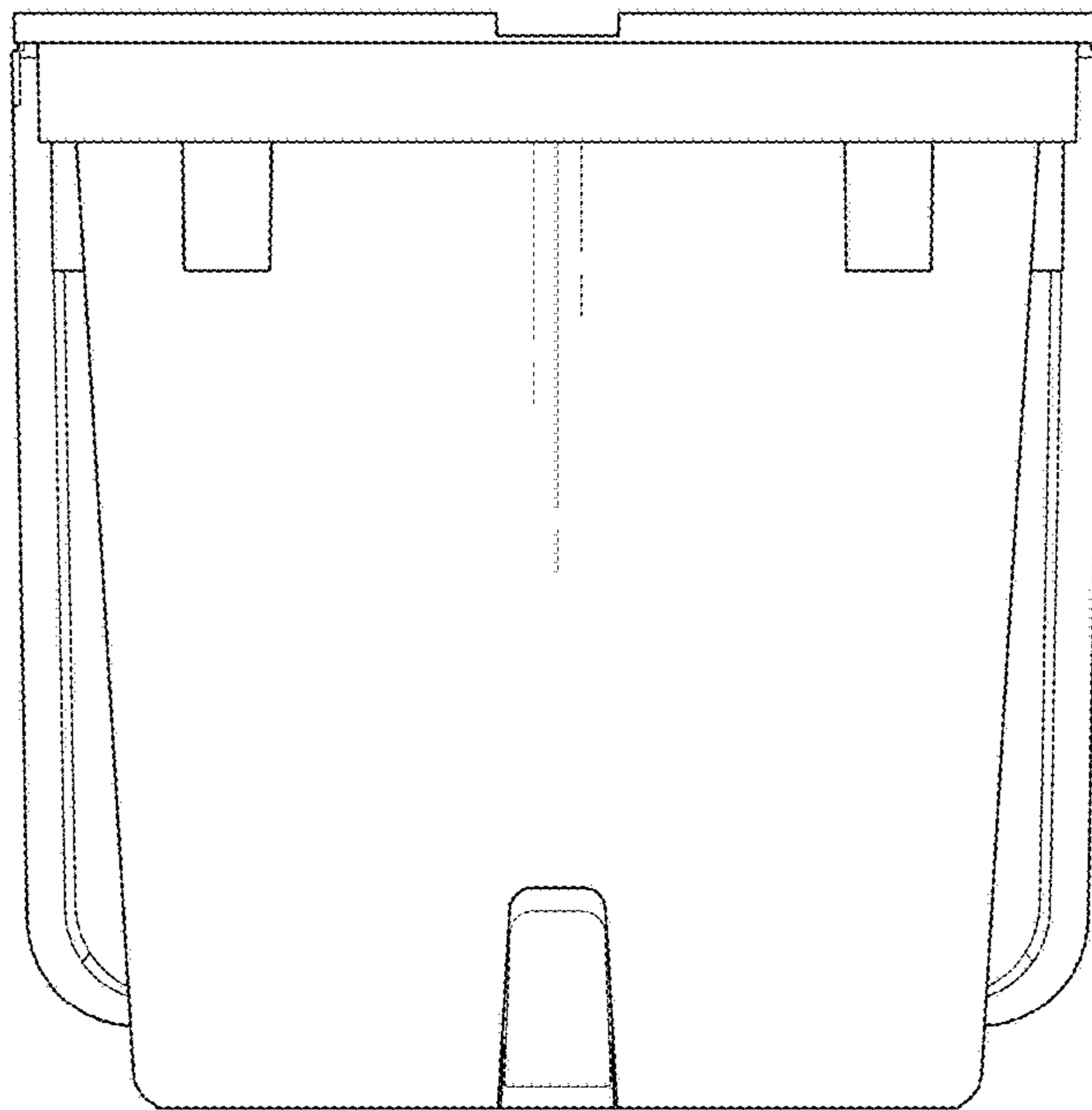


FIG. 11

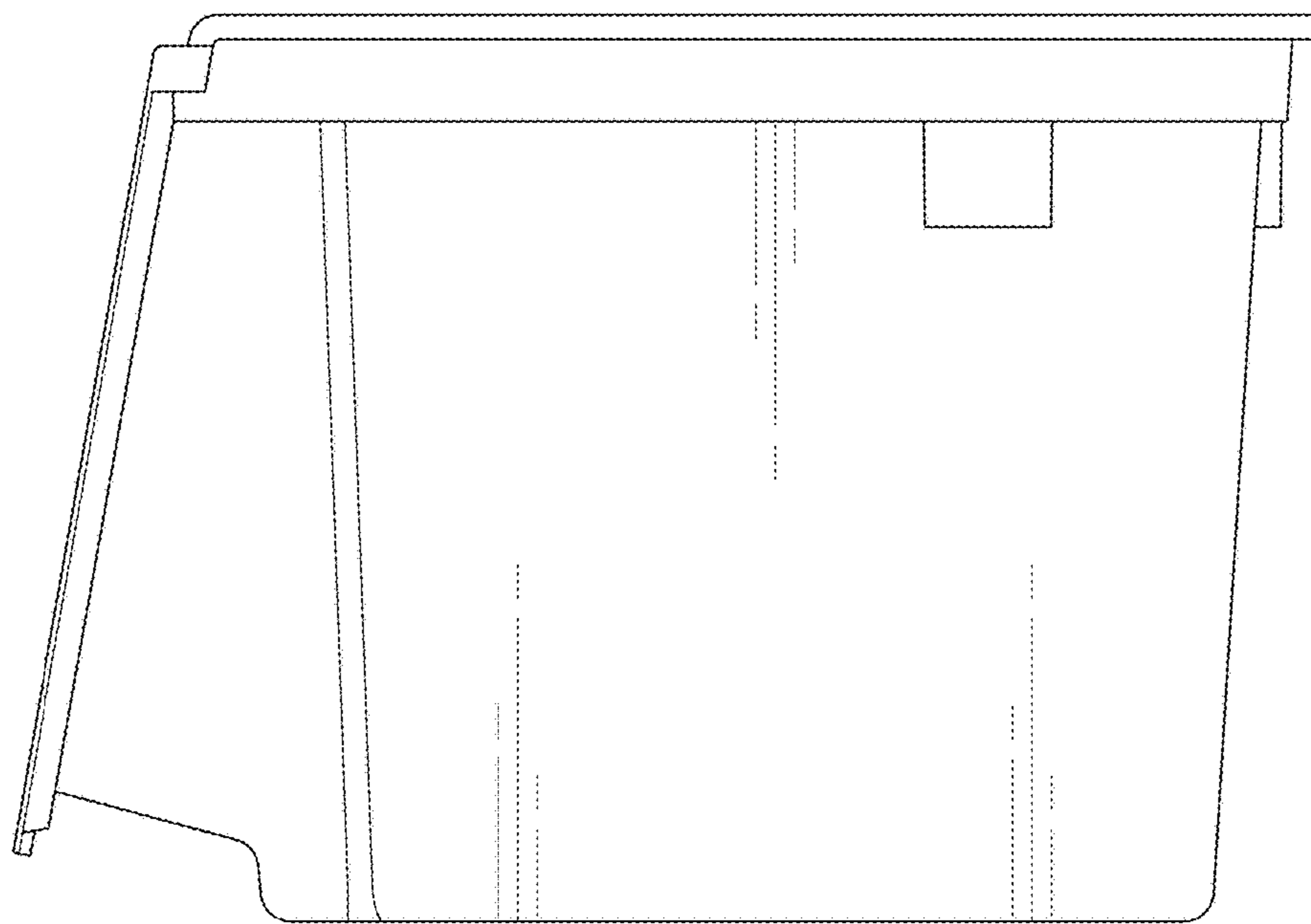


FIG. 12

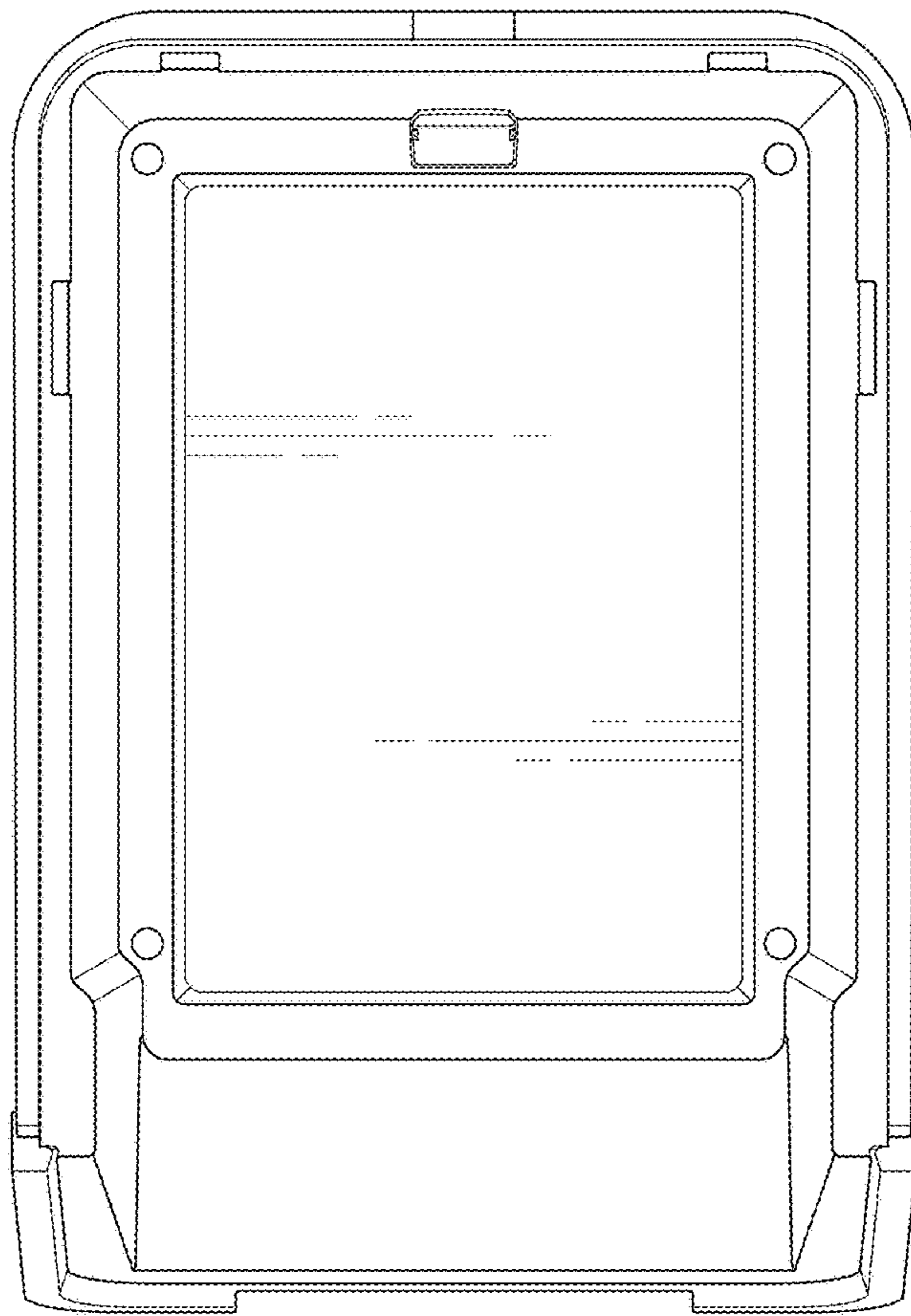


FIG. 13

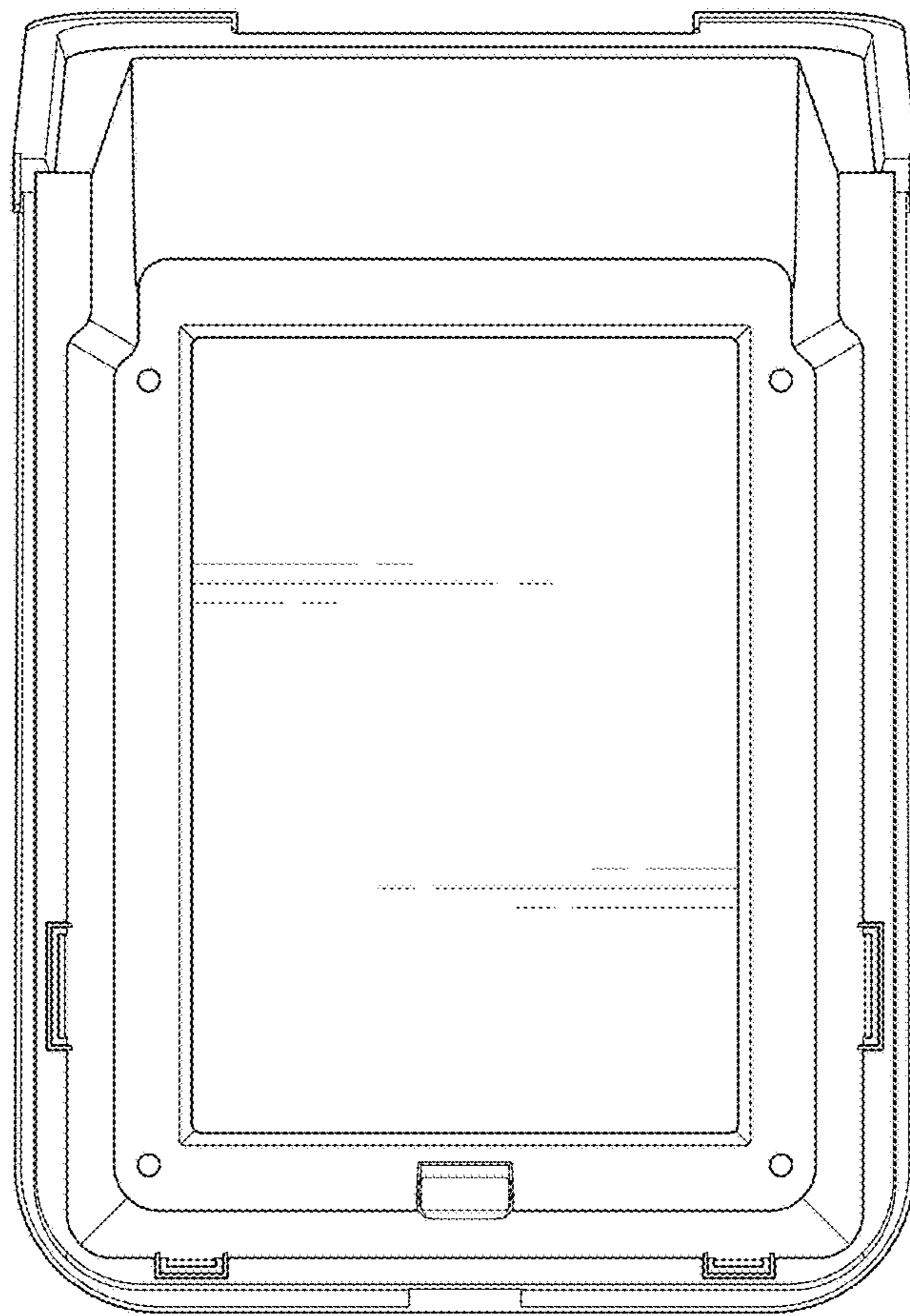


FIG. 14

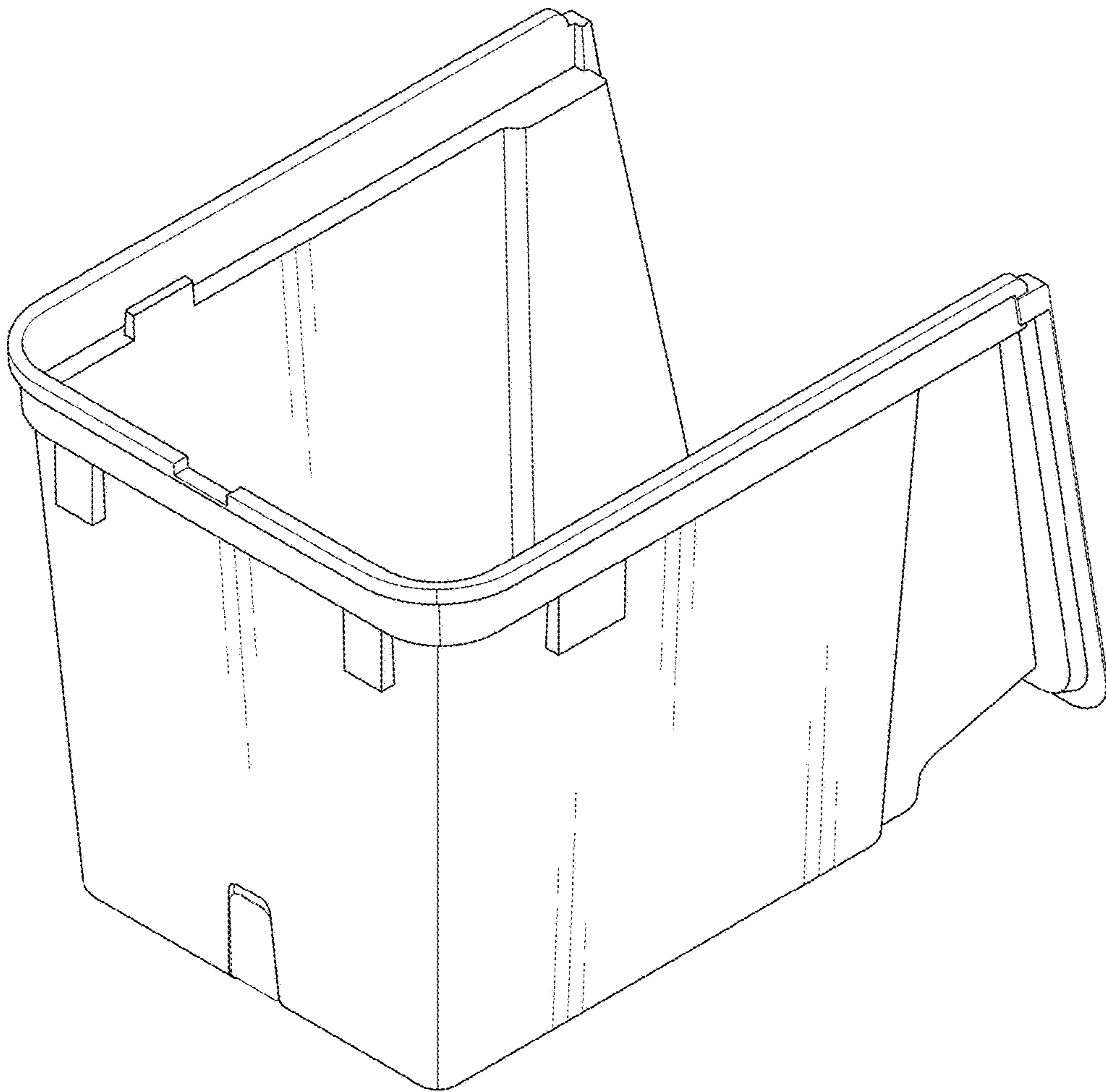


FIG. 15

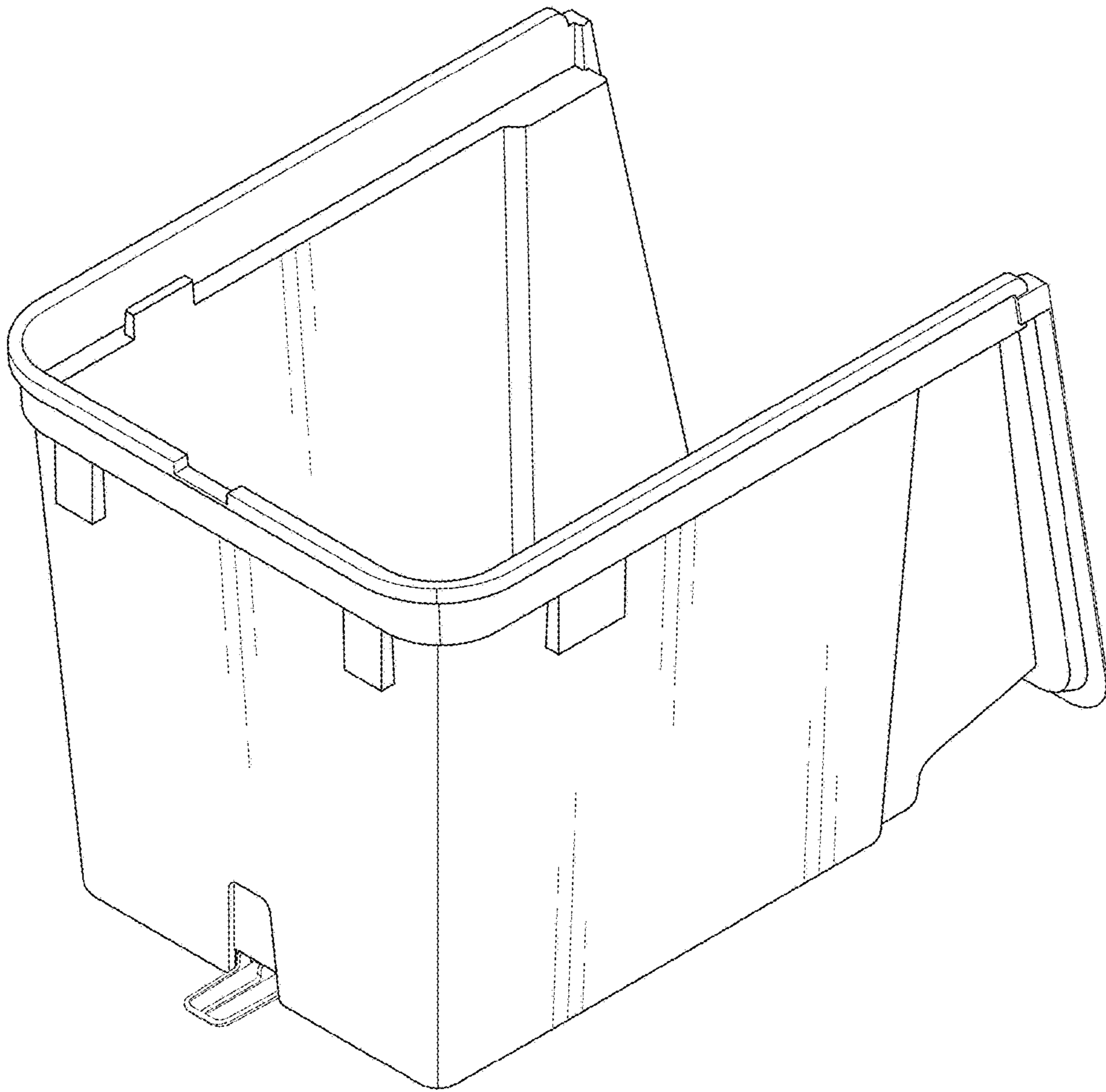


FIG. 16