



US00D855990S

(12) **United States Design Patent**
Bennett

(10) **Patent No.:** **US D855,990 S**

(45) **Date of Patent:** **** *Aug. 13, 2019**

(54) **CARRYING CASE**

(71) Applicant: **Ellen Bennett**, Los Angeles, CA (US)

(72) Inventor: **Ellen Bennett**, Los Angeles, CA (US)

(*) Notice: This patent is subject to a terminal disclaimer.

(**) Term: **15 Years**

(21) Appl. No.: **29/592,263**

(22) Filed: **Jan. 27, 2017**

(51) **LOC (12) Cl.** **03-01**

(52) **U.S. Cl.**
USPC **D3/301**

(58) **Field of Classification Search**

USPC D3/228, 224, 215, 221, 269, 299, 273,
D3/276, 289, 293, 290, 301, 303, 318,
D3/319; D9/702, 703, 705, 707, 709,
D9/710, 433, 901

CPC A47C 7/62; A47C 1/14
See application file for complete search history.

(56) **References Cited**

U.S. PATENT DOCUMENTS

D267,290 S *	12/1982	Kurozumi	D3/303
D330,282 S *	10/1992	Lindsey	D3/21
D522,750 S *	6/2006	Girod	D3/303
D544,711 S *	6/2007	Mundy	D3/247
D584,895 S *	1/2009	Holzner	D3/247
D585,642 S *	2/2009	Rosenberg	D3/247
D593,749 S *	6/2009	Holzner	D3/247
D606,749 S *	12/2009	Mittelman	D3/247

(Continued)

Primary Examiner — Sandra Snapp

Assistant Examiner — Holly E Thurman

(57) **CLAIM**

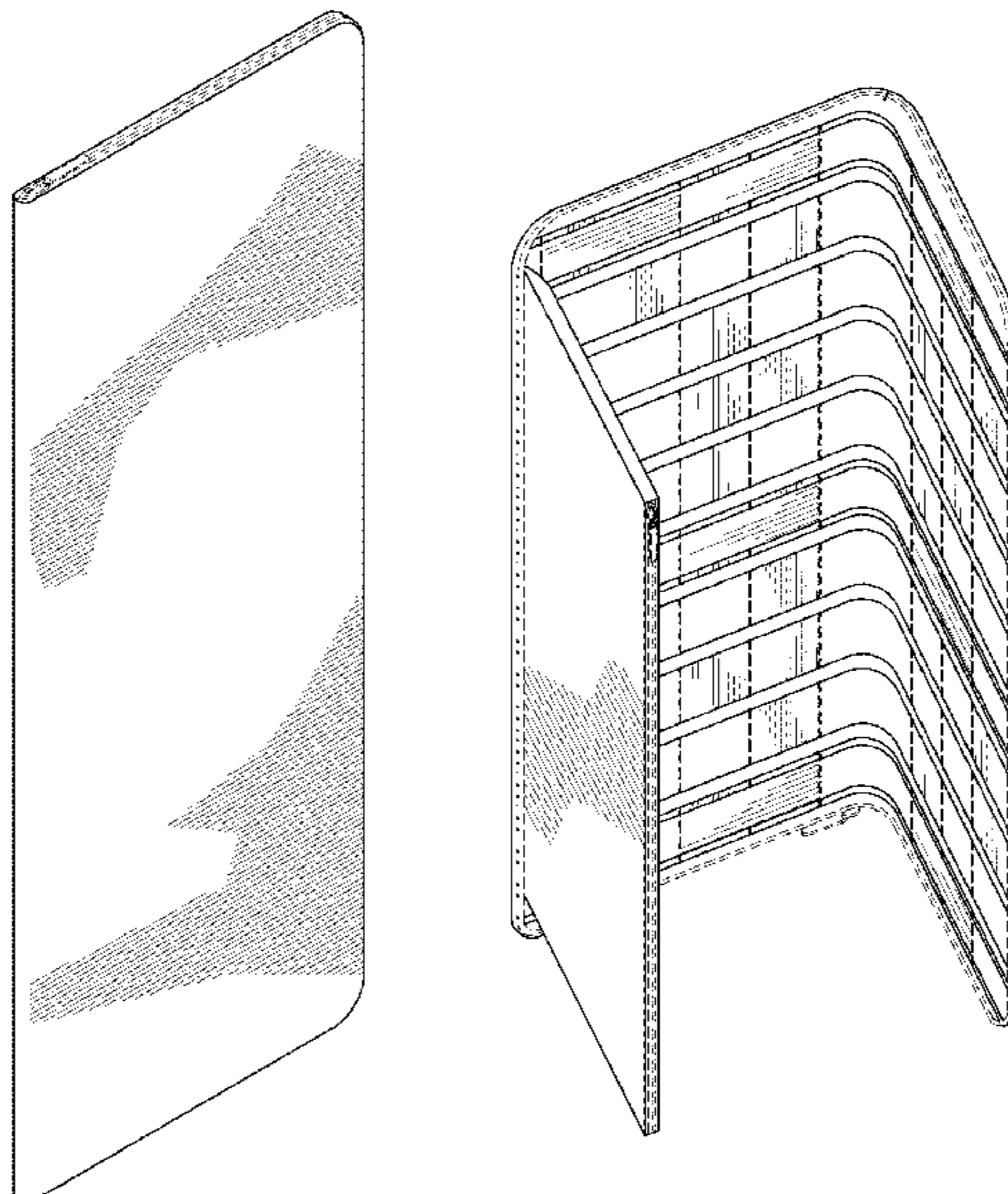
The ornamental design for a carrying case, as shown and described.

DESCRIPTION

FIG. 1 is a perspective view of the carrying case in a closed, zipped-up configuration;
 FIG. 2 is a left side elevational view of the carrying case in a closed, zipped-up configuration;
 FIG. 3 is a right side elevational view of the carrying case in a closed, zipped-up configuration;
 FIG. 4 is a bottom plan view of the carrying case in a closed, zipped-up configuration;
 FIG. 5 is a top plan view of the carrying case in a closed, zipped-up configuration;
 FIG. 6 is a front elevational view of the carrying case in a closed, zipped-up configuration;
 FIG. 7 is a rear elevational view of the carrying case in a closed, zipped-up configuration;
 FIG. 8 is a perspective view of the carrying case in an open, unzipped configuration with an inner pouch in a closed, zipped-up configuration;
 FIG. 9 is a top plan view of the carrying case in an open, unzipped configuration;
 FIG. 10 is a bottom plan view of the carrying case in an open, unzipped configuration;
 FIG. 11 is a perspective view of the carrying case in a partially open, unzipped configuration with an inner pouch in a closed, zipped-up configuration;
 FIG. 12 is a perspective view of the carrying case in an open, unzipped configuration with an inner pouch in an open, unzipped configuration; and,
 FIG. 13 is a top plan view of the carrying case in an open, unzipped configuration, and showing various kitchen implements strapped to the interior of the carrying case for purposes of illustrating the environment in which the design is used.

The thick dashed lines shown in FIGS. 8, 9, 11, 12, and 13, illustrate stitching attaching the straps to the interior of the carrying case that form part of the claimed design. All other broken lines depict portions of a carrying case or unclaimed environment that form no part of the claimed design.

1 Claim, 10 Drawing Sheets



(56)

References Cited

U.S. PATENT DOCUMENTS

D616,930 S *	6/2010	Engel	D19/3
D664,195 S *	7/2012	Rosenthal	D19/1
D666,416 S *	9/2012	Haywood	D3/299
D717,545 S *	11/2014	Chuang	D3/318
D719,732 S *	12/2014	Hyzdu	D3/303
D728,936 S *	5/2015	Davis	D3/299
D748,915 S *	2/2016	Reyes	D3/301
D756,118 S *	5/2016	Slimane	D3/303
D761,563 S *	7/2016	Requa	D3/249

* cited by examiner

FIG. 1

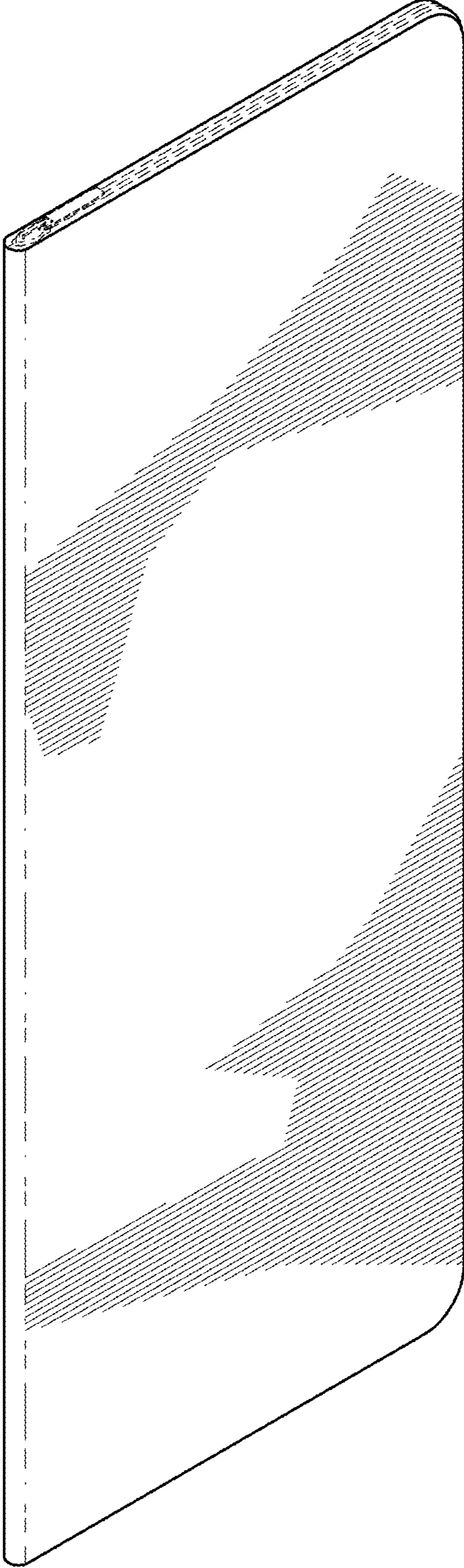


FIG. 2

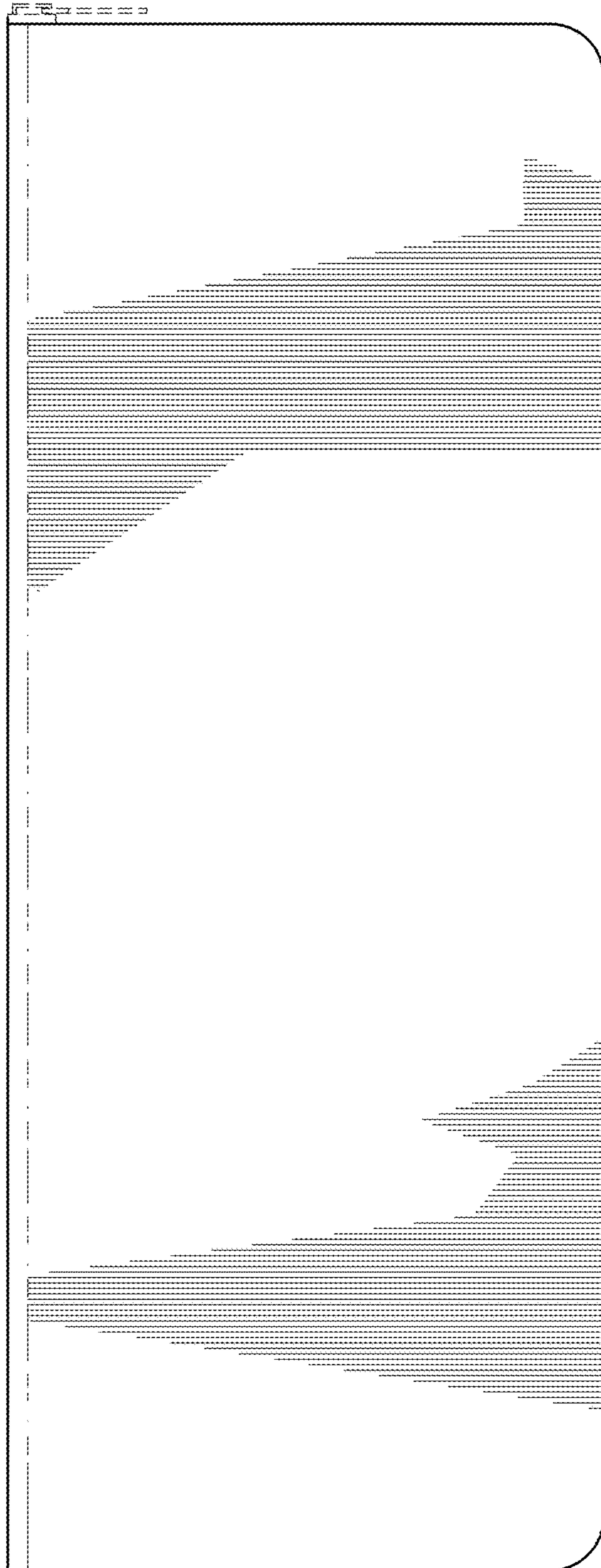


FIG. 3

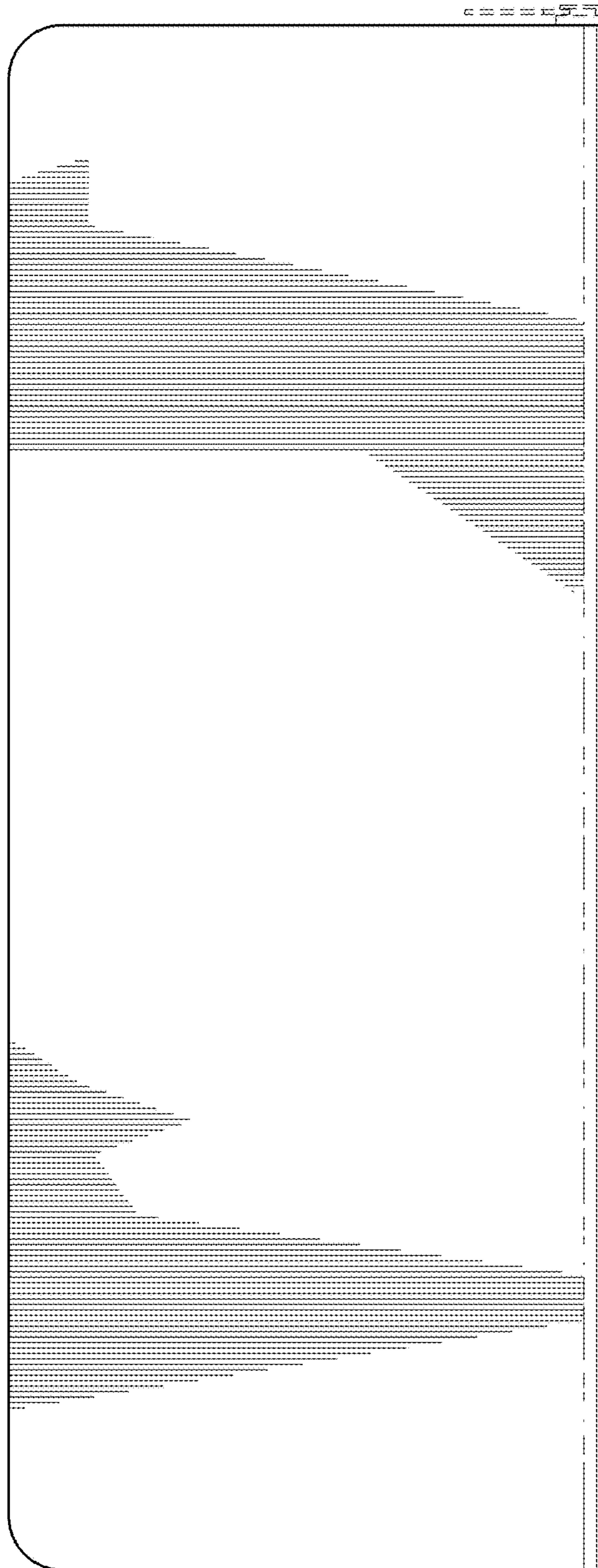


FIG. 4

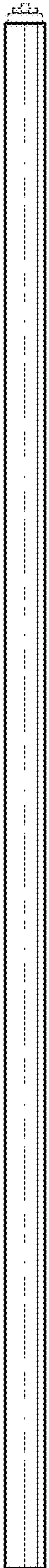


FIG. 5

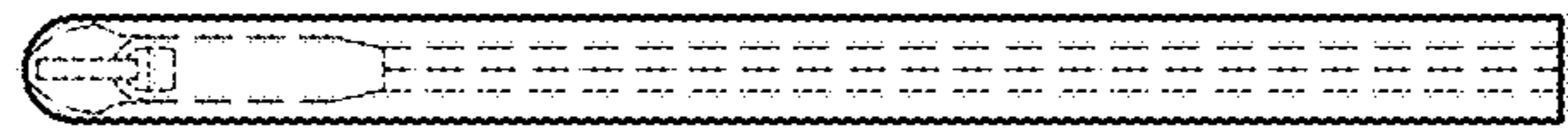


FIG. 6

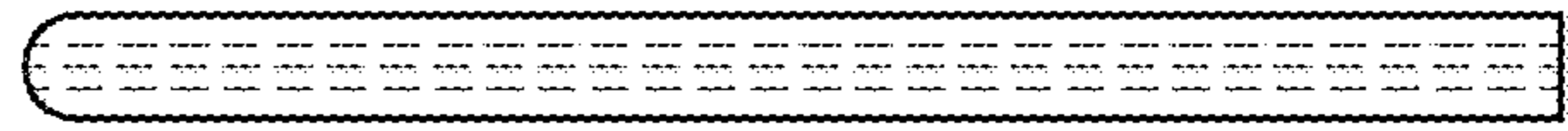


FIG. 7

FIG. 8

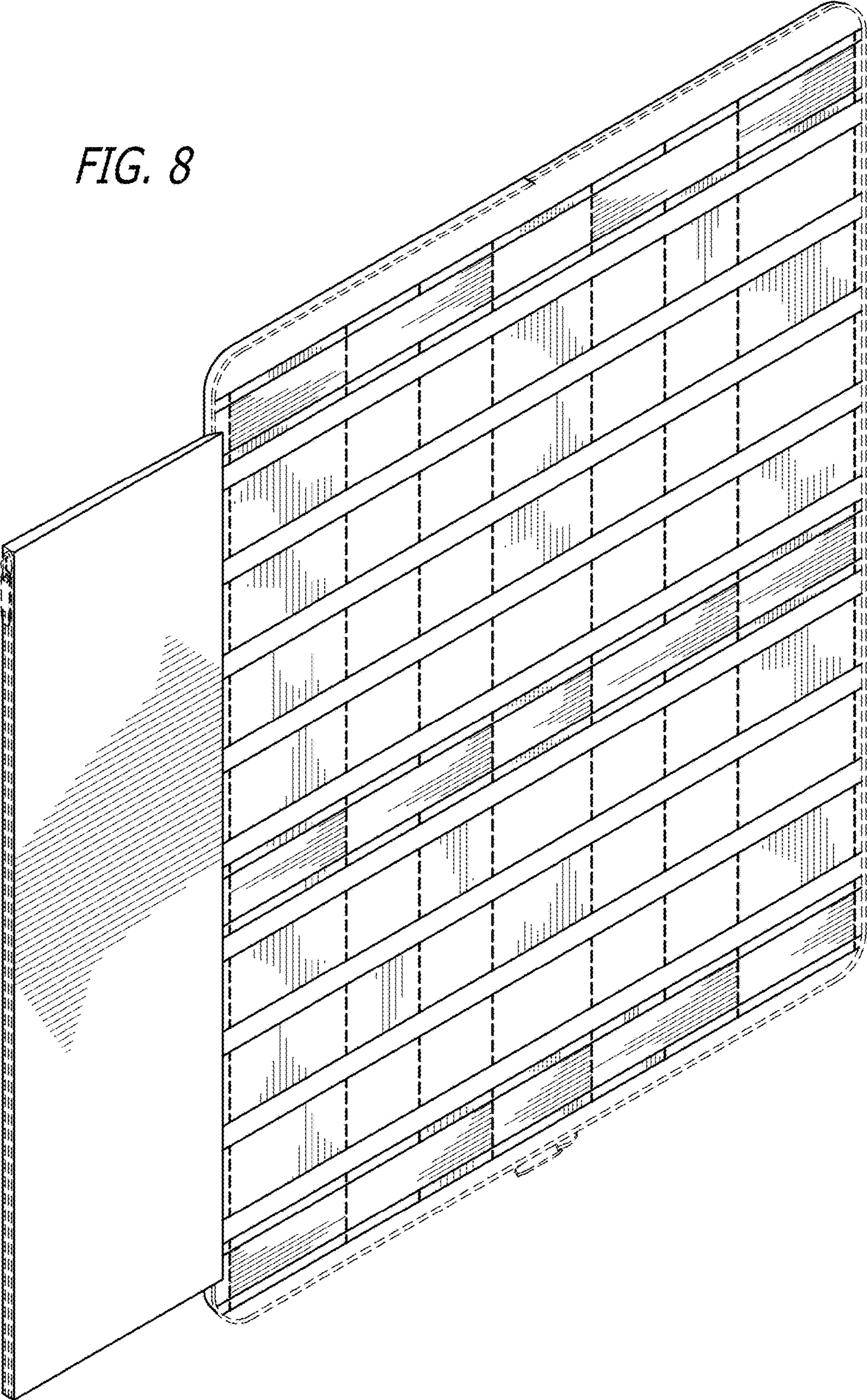
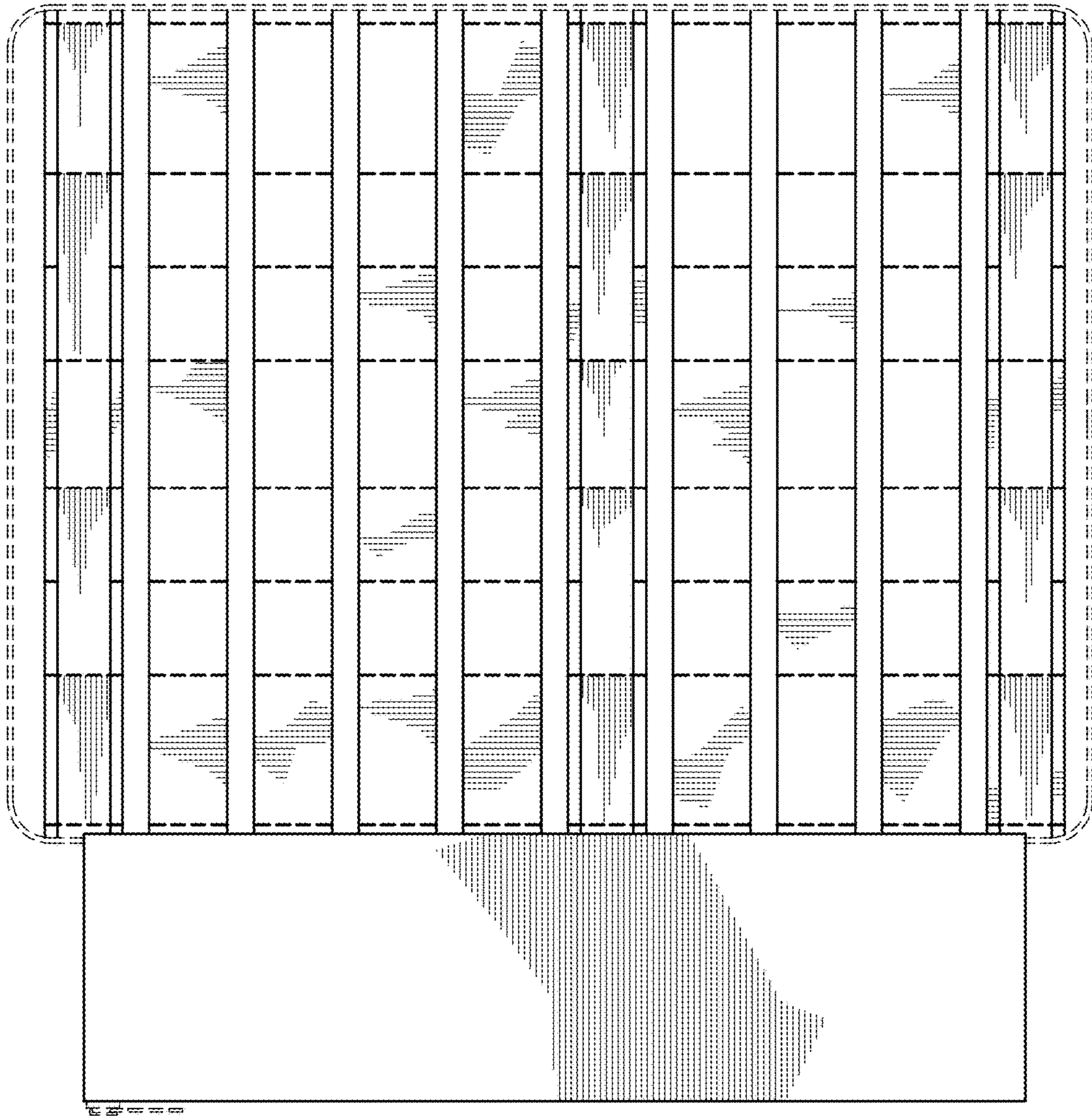


FIG. 9



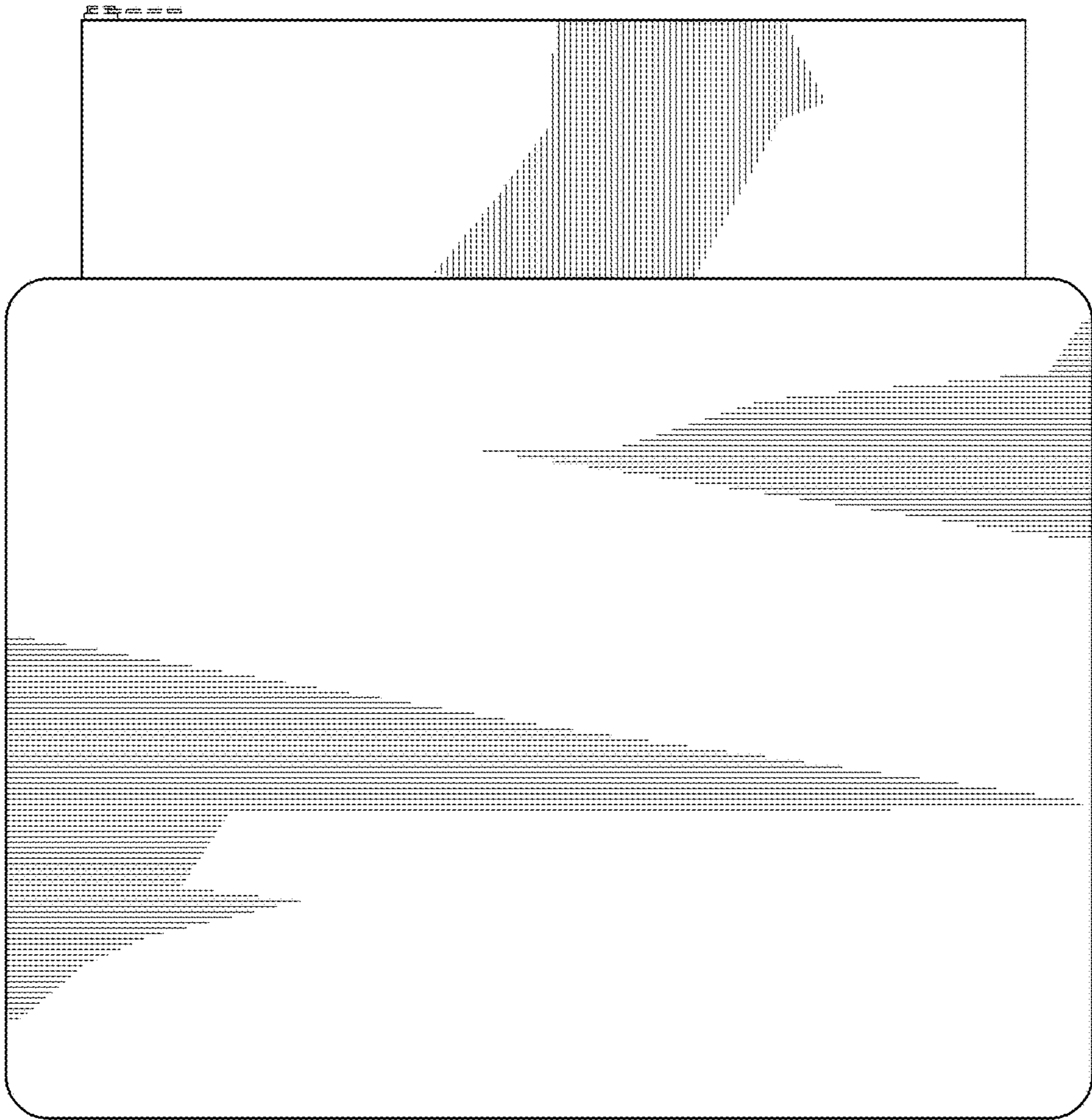


FIG. 10

FIG. 11

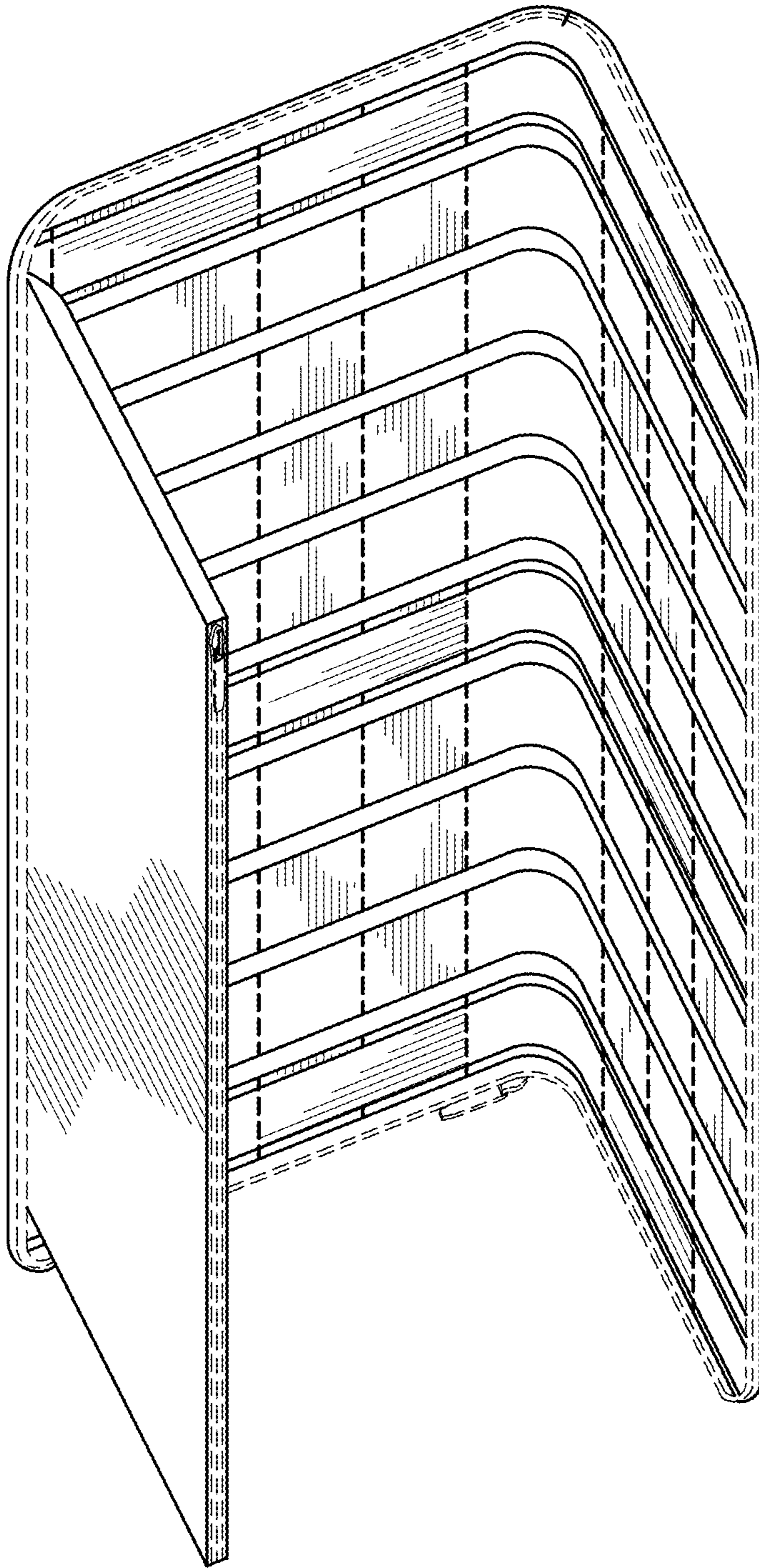


FIG. 12

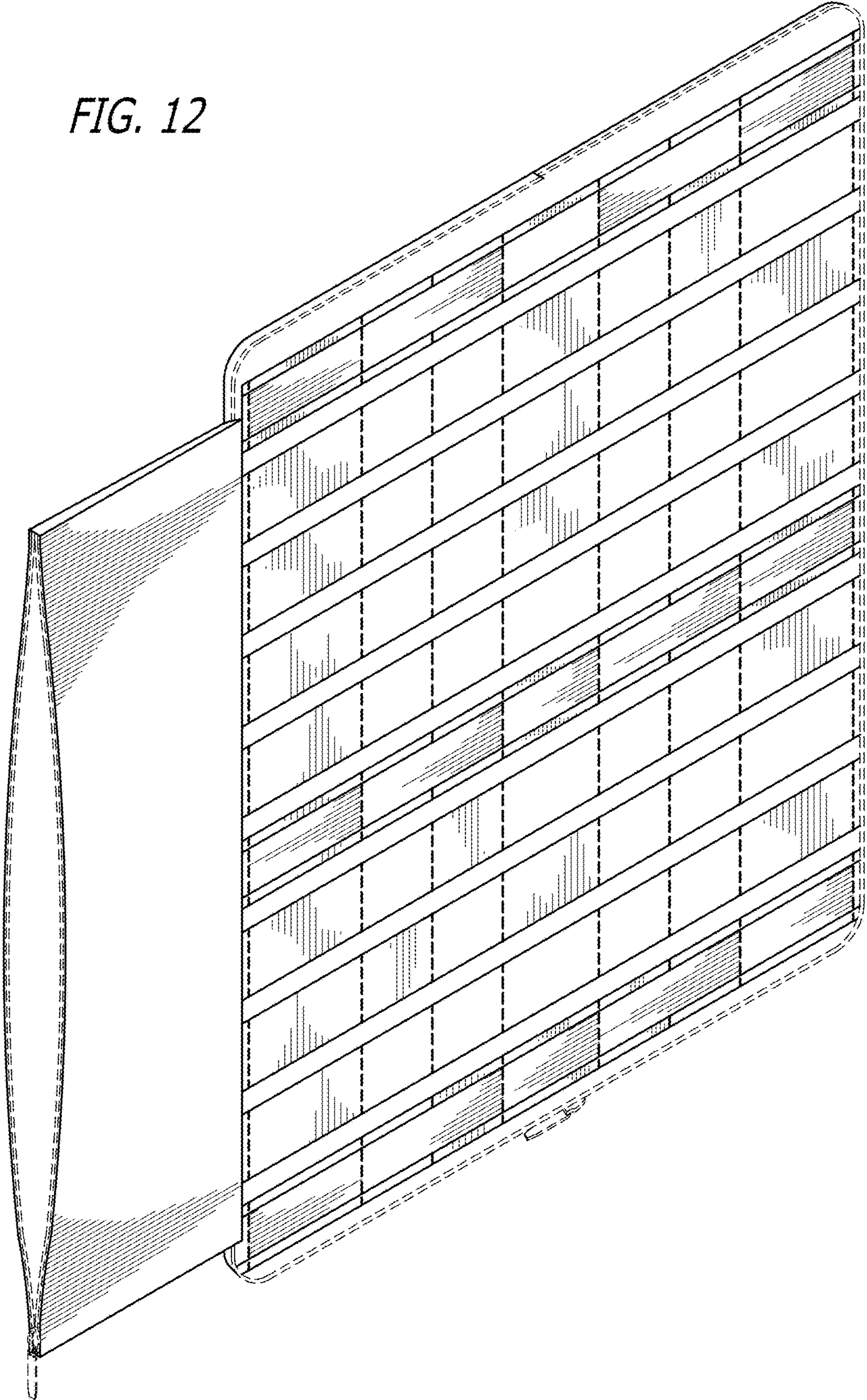


FIG. 13

