



US00D855989S

(12) **United States Design Patent** (10) **Patent No.:** **US D855,989 S**
Yamamoto (45) **Date of Patent:** **** Aug. 13, 2019**

(54) **STORAGE CASE**

(71) Applicant: **Shinwa Co., Ltd.**, Niigata-Pref. (JP)

(72) Inventor: **Kazunobu Yamamoto**, Niigata-Pref. (JP)

(**) Term: **15 Years**

(21) Appl. No.: **29/609,815**

(22) Filed: **Jul. 6, 2017**

(30) **Foreign Application Priority Data**

Jan. 10, 2017 (JP) 2017-000226

(51) **LOC (12) Cl.** **03-01**

(52) **U.S. Cl.**
USPC **D3/297**

(58) **Field of Classification Search**
USPC D3/273, 274, 275, 276, 280, 281, 284,
D3/292, 294, 295, 296, 297, 298, 302,
D3/905, 901, 903, 205, 203.1, 279, 282;
D27/172, 186, 187, 189, 191; D6/336,
D6/705, 663, 671, 671.1; D9/414;
D19/72, 86, 92; D34/20
CPC B65D 11/1893; B65D 21/0213; A47B
87/0284; A47B 43/00
See application file for complete search history.

(56) **References Cited**

U.S. PATENT DOCUMENTS

D420,541 S * 2/2000 Zaidman D6/705
D506,869 S * 7/2005 Davis D3/297
D553,879 S * 10/2007 Juneau D6/671
D563,104 S * 3/2008 Wenck D3/297
D636,615 S * 4/2011 Grela D34/20
D643,216 S * 8/2011 Greiner D3/296
D666,438 S * 9/2012 Cressman D6/705

D672,976 S * 12/2012 Migeon D6/336
D725,920 S * 4/2015 Reynolds D6/336
D742,149 S * 11/2015 Leduc D6/705
2008/0040982 A1 * 2/2008 Durand A47B 9/14
52/36.1
2016/0310361 A1 * 10/2016 Zhang A47B 95/02

OTHER PUBLICATIONS

Shinwa and Japan Import drawer storage box plastic storage box wardrobe drawer cabinet clothes finishing Box, posted at yoycart.com, no posting date available, online, URL: <https://www.yoycart.com/Product/38988603184/> (Year: 2018).*

* cited by examiner

Primary Examiner — Anhdao Doan
Assistant Examiner — Mary Shannon Malley
(74) *Attorney, Agent, or Firm* — Prakash Nama; Global IP Services, PLLC

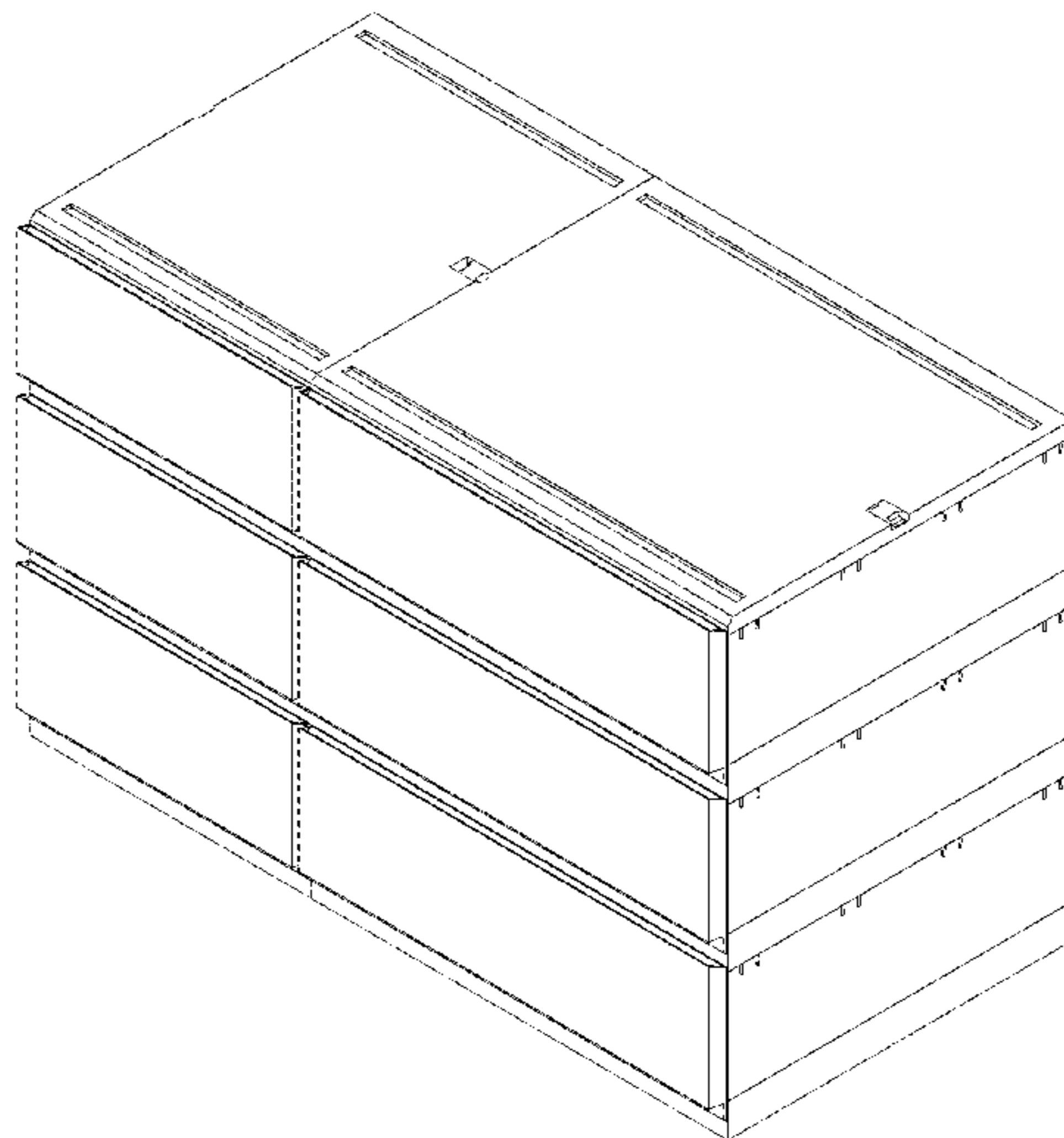
(57) **CLAIM**

The ornamental design for a storage case, as shown and described.

DESCRIPTION

FIG. 1 is a front elevational view of a storage case showing my new design;
FIG. 2 is a rear elevational view thereof;
FIG. 3 is a left side view thereof;
FIG. 4 is a right side view thereof;
FIG. 5 is a top plan view thereof;
FIG. 6 is a bottom plan view thereof; and,
FIG. 7 is a perspective view thereof.
The broken lines shown illustrate portions of the storage case that form no part of the claimed design.

1 Claim, 7 Drawing Sheets



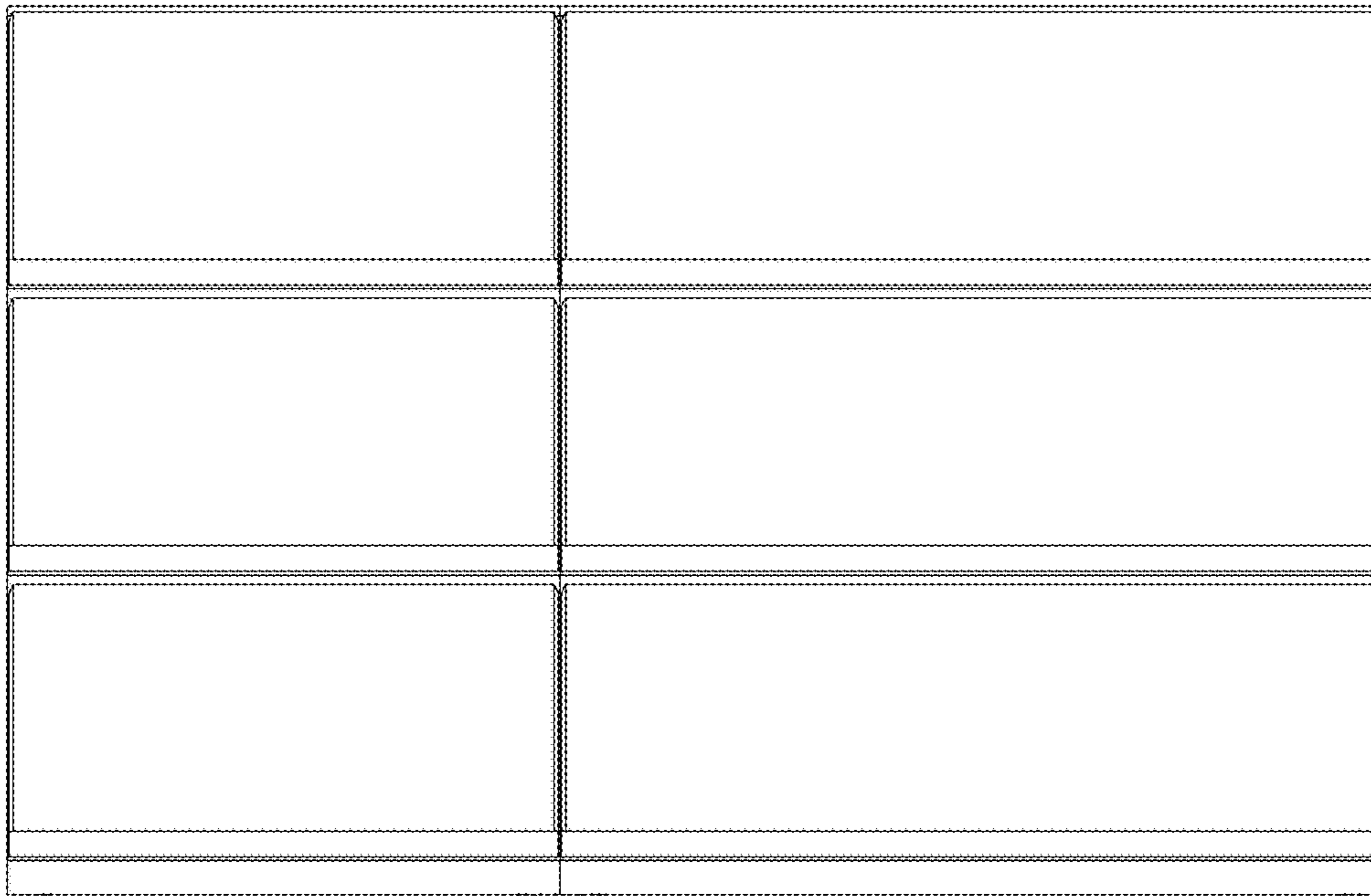


Fig.1

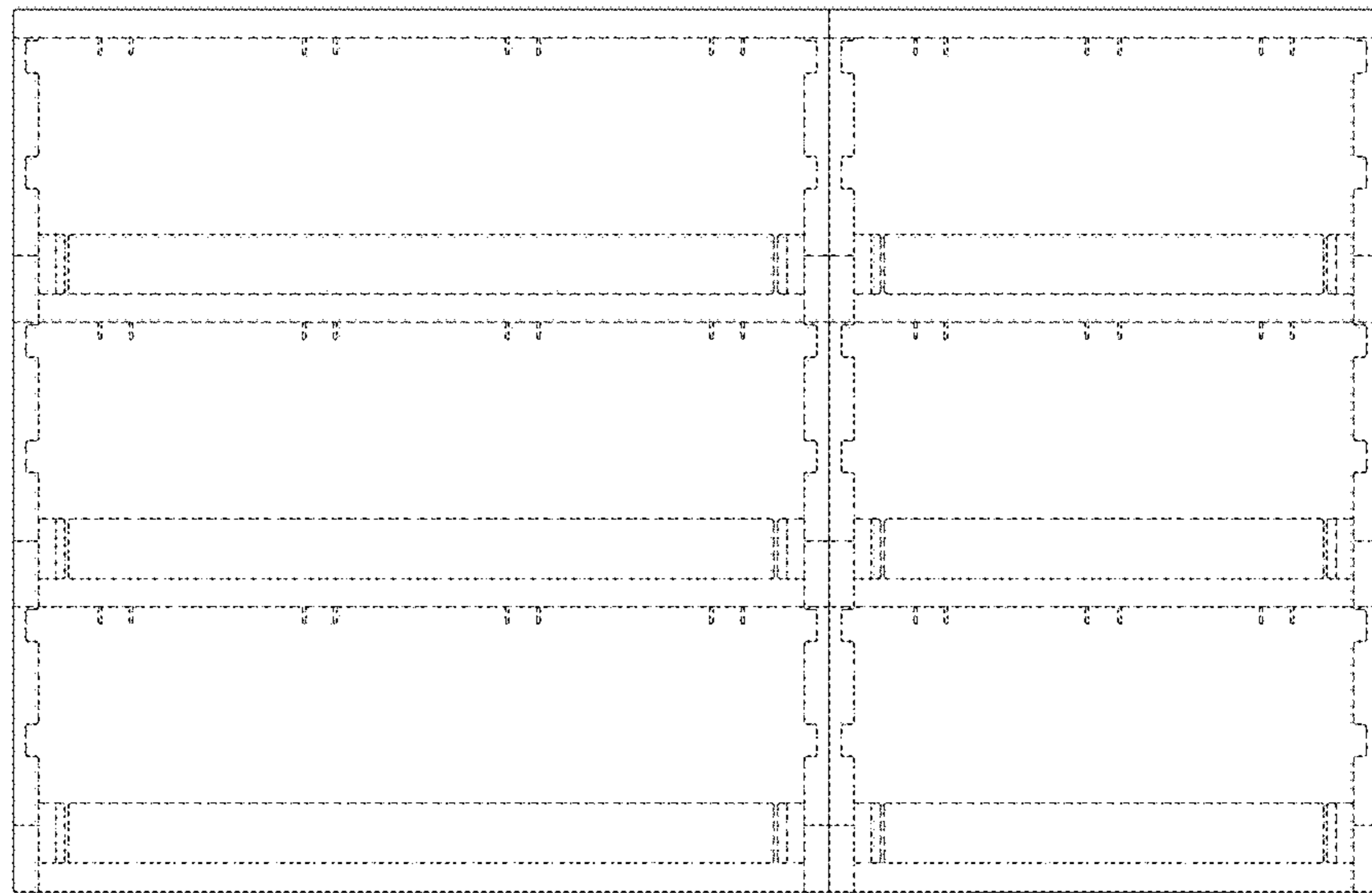


Fig.2

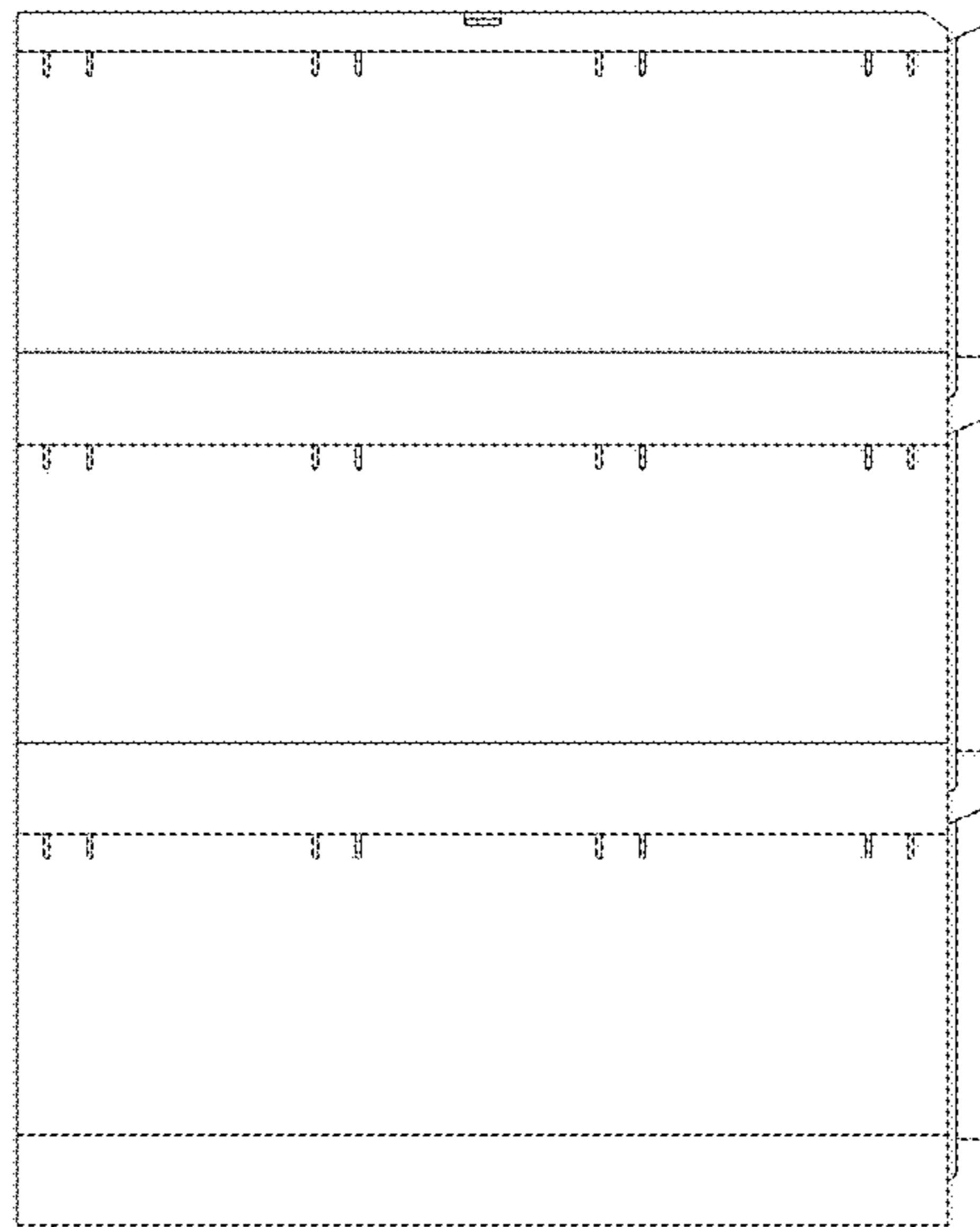


Fig.3

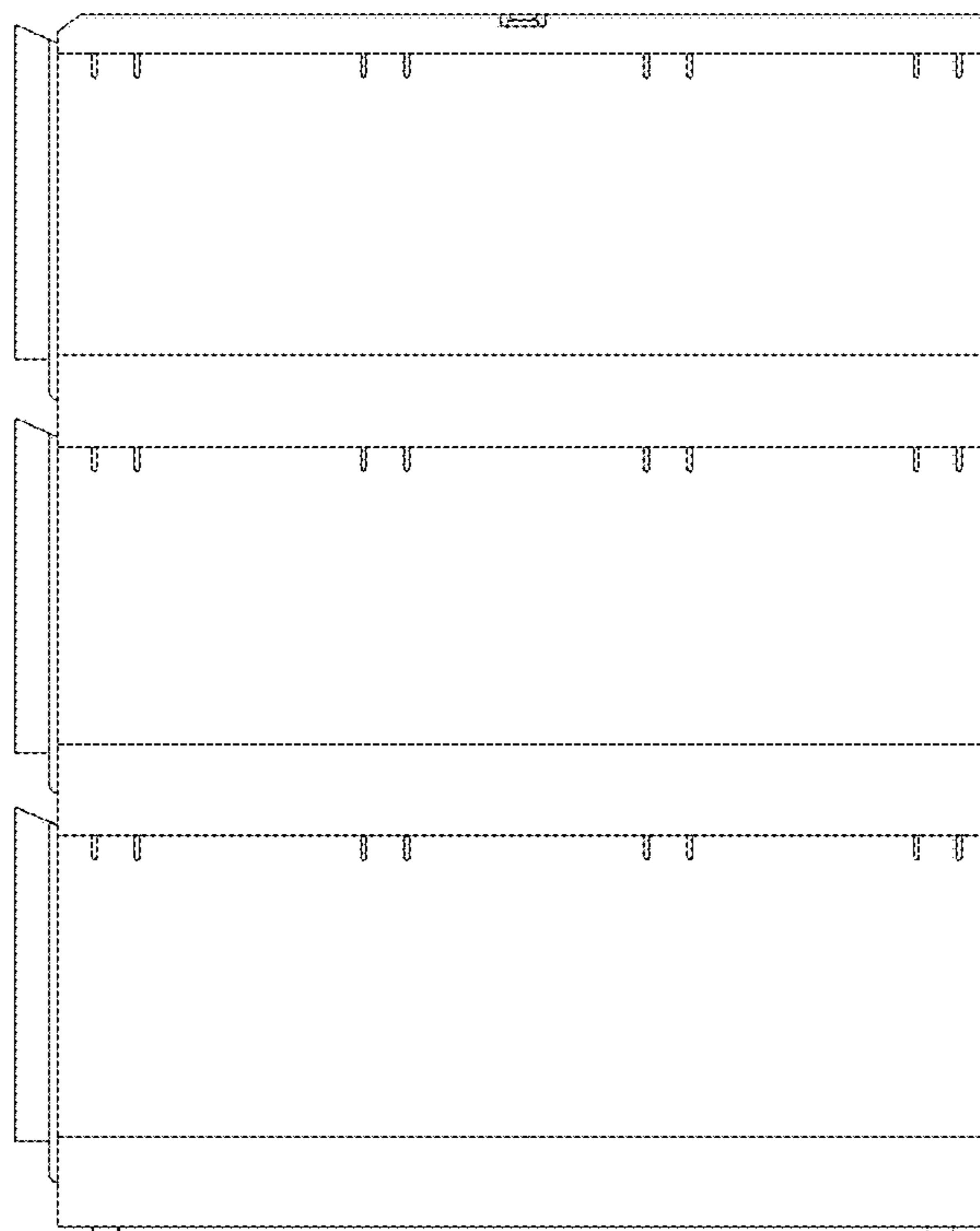


Fig.4

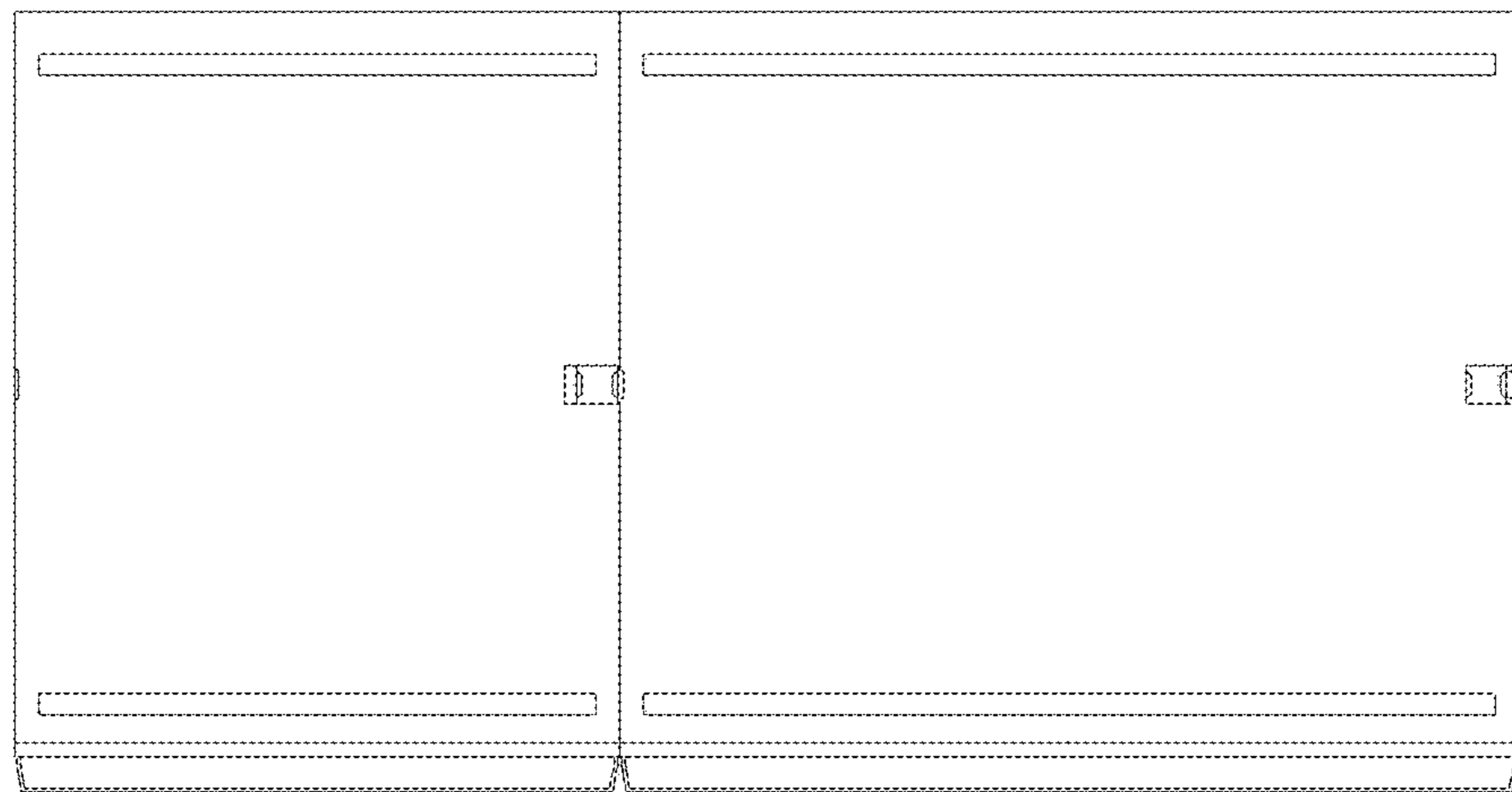


Fig.5

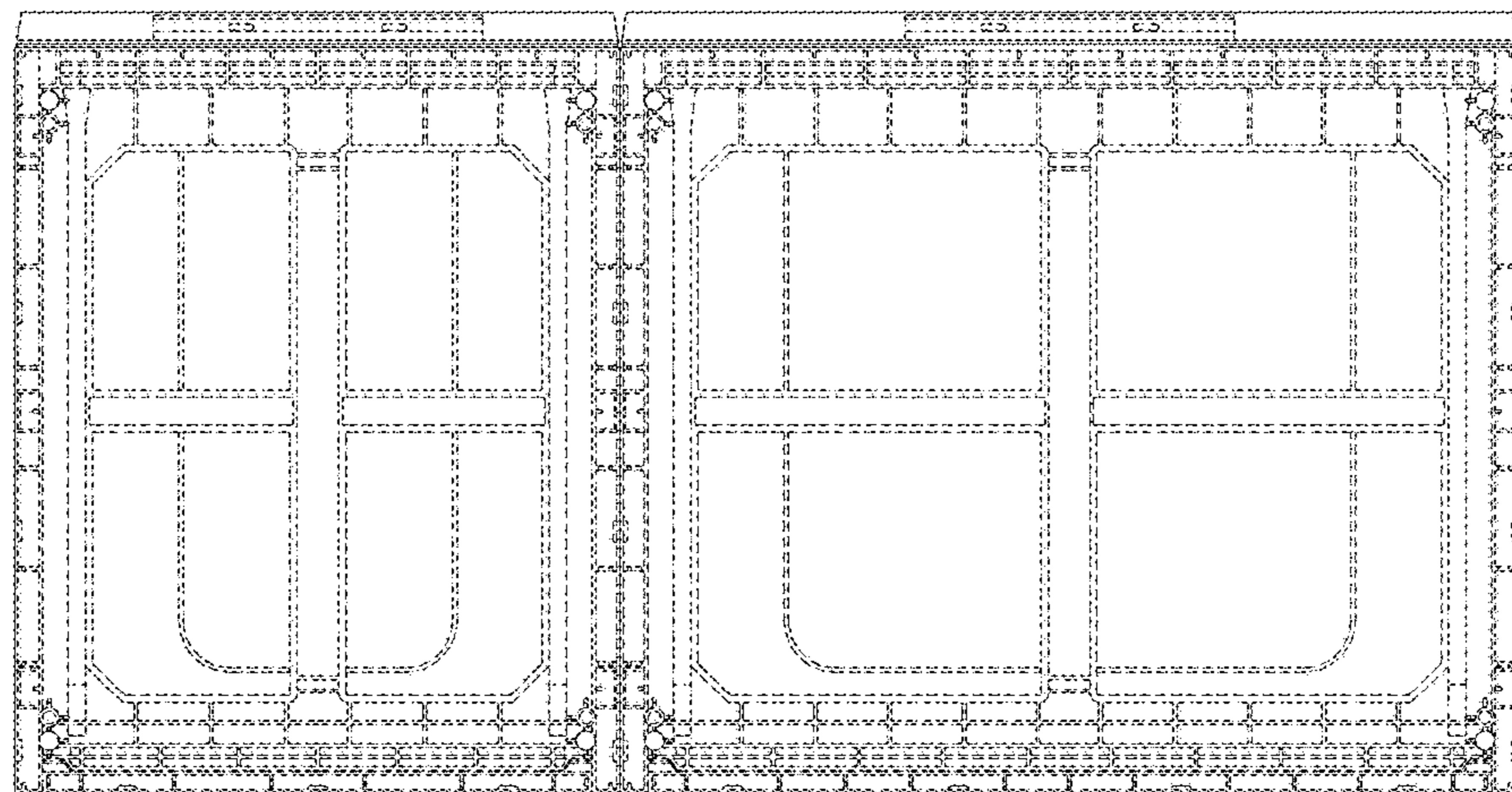


Fig.6

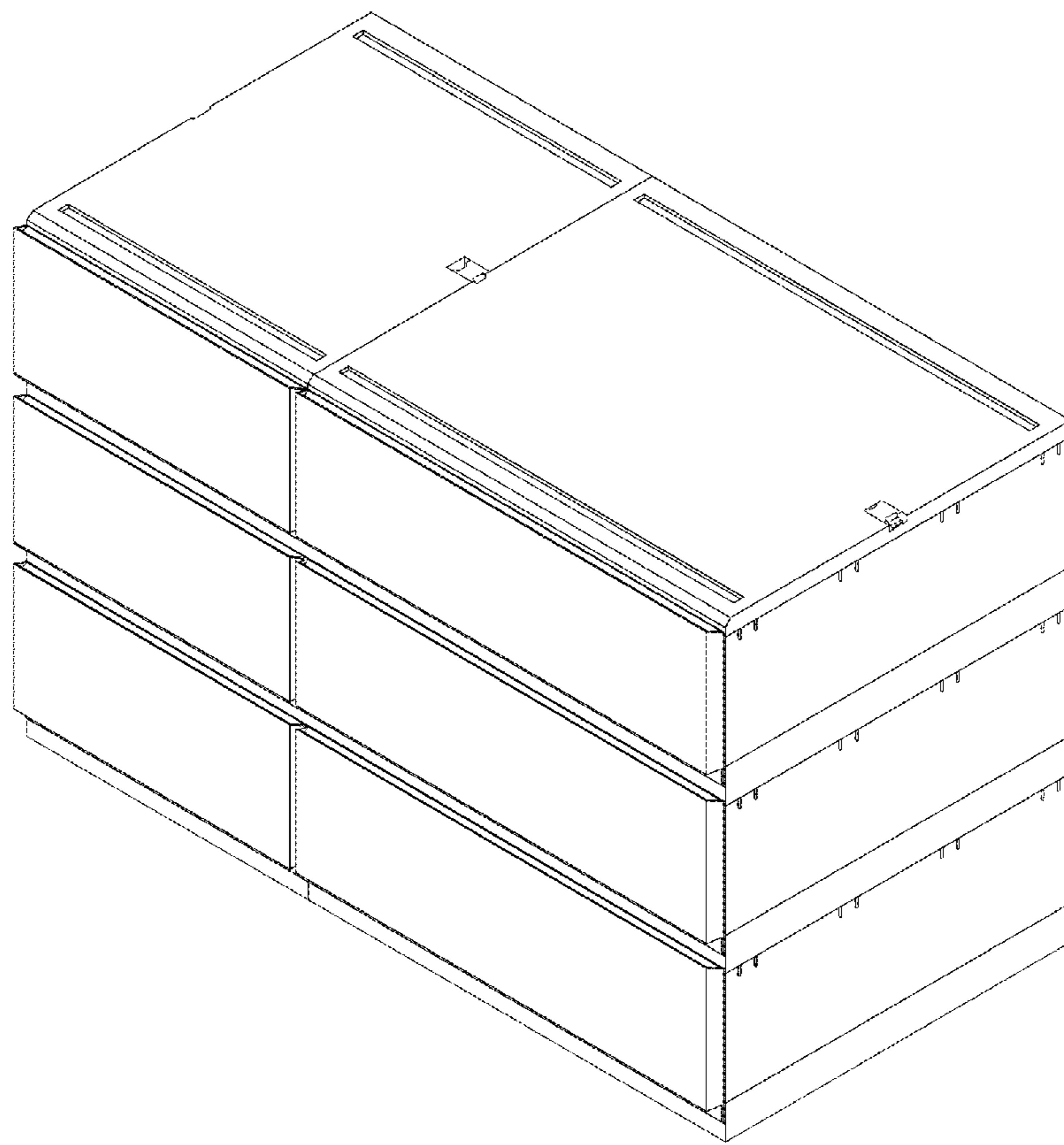


Fig.7