



US00D855988S

(12) **United States Design Patent**
Yamamoto

(10) **Patent No.:** **US D855,988 S**

(45) **Date of Patent:** **** Aug. 13, 2019**

(54) **STORAGE CASE**

(71) Applicant: **Shinwa Co., Ltd.**, Niigata-Pref. (JP)

(72) Inventor: **Kazunobu Yamamoto**, Niigata-Pref. (JP)

(**) Term: **15 Years**

(21) Appl. No.: **29/609,813**

(22) Filed: **Jul. 6, 2017**

(30) **Foreign Application Priority Data**

Jan. 10, 2017 (JP) 2017-000224

(51) **LOC (12) Cl.** **03-01**

(52) **U.S. Cl.**
USPC **D3/297**

(58) **Field of Classification Search**
USPC D3/273, 274, 275, 276, 280, 281, 284,
D3/292, 294, 295, 296, 297, 298, 302,
D3/905, 901, 903, 205, 203.1, 279, 282;
D27/172, 186, 187, 189, 191; D6/336,
D6/705, 663, 671, 671.1; D9/414;
D19/72, 86, 92; D34/20

CPC B65D 11/1893; B65D 21/0213; A47B
87/0284; A47B 43/00

See application file for complete search history.

(56) **References Cited**

U.S. PATENT DOCUMENTS

4,580,854 A * 4/1986 Hedfeld A47B 43/00
312/140.2
D379,880 S * 6/1997 Stoeckli D6/671.1
D477,154 S * 7/2003 Benn D3/297

D536,202 S * 2/2007 Mehmen D6/703.1
D563,104 S * 3/2008 Wenck D3/297
D613,972 S * 4/2010 Hand D3/297
D702,061 S * 4/2014 Sengsavang D6/667
D785,330 S * 5/2017 Yamamoto D3/297
D785,331 S * 5/2017 Yamamoto D3/297

OTHER PUBLICATIONS

Shinwa and Japan Import drawer storage box plastic storage box wardrobe drawer cabinet clothes finishing Box, posted at yoycart.com, no posting date available, online, URL: <https://www.yoycart.com/Product/38988603184/> (Year: 2018).*

* cited by examiner

Primary Examiner — Barbara Fox

Assistant Examiner — Mary Shannon Malley

(74) *Attorney, Agent, or Firm* — Prakash Nama; Global IP Services, PLLC

(57) **CLAIM**

The ornamental design for a storage case, as shown and described.

DESCRIPTION

FIG. 1 is a front elevational view of a storage case showing my new design;

FIG. 2 is a rear elevational view thereof;

FIG. 3 is a left side view thereof;

FIG. 4 is a right side view thereof;

FIG. 5 is a top plan view thereof;

FIG. 6 is a bottom plan view thereof; and,

FIG. 7 is a perspective view thereof.

The broken lines shown illustrate portions of the storage case that form no part of the claimed design.

1 Claim, 7 Drawing Sheets

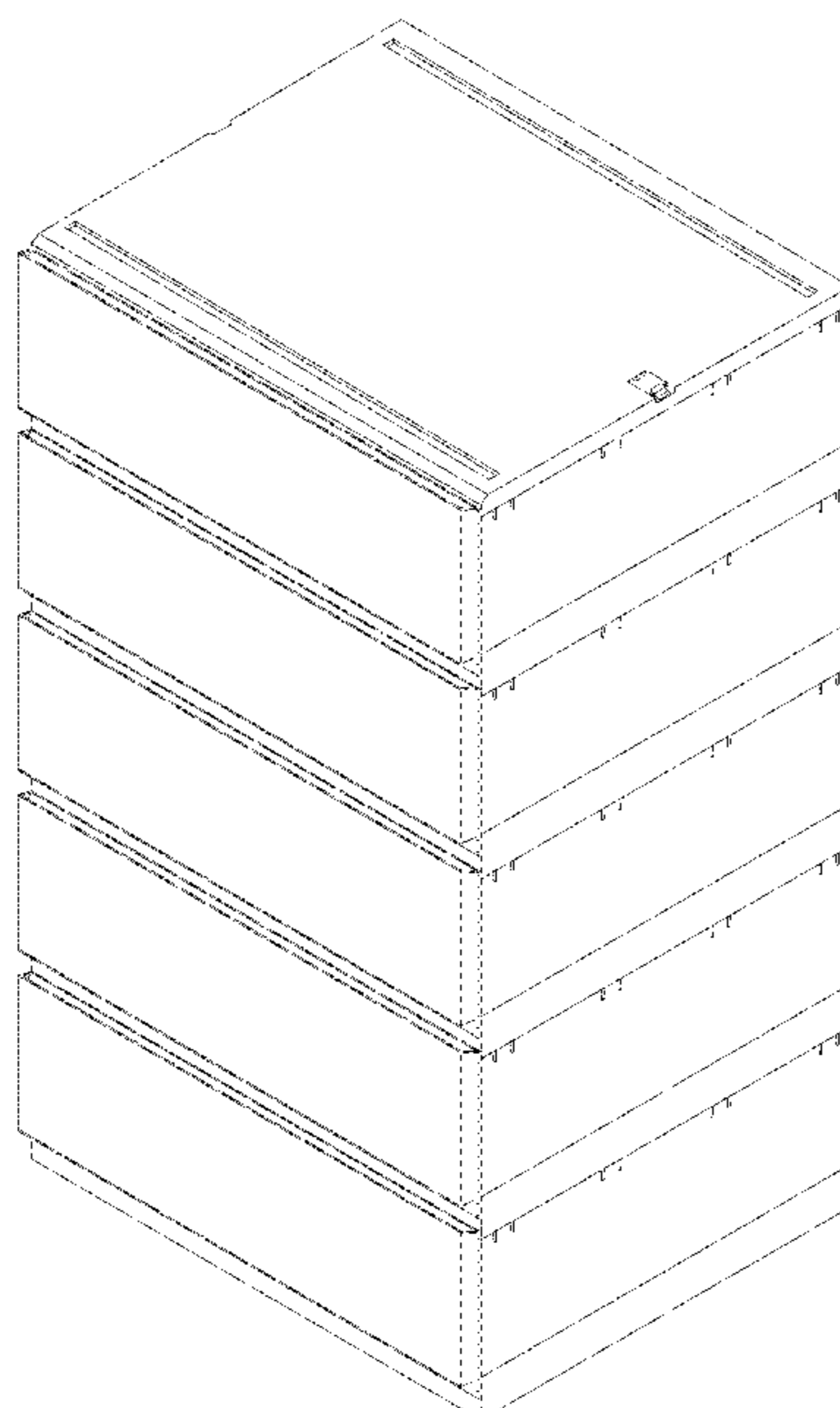




Fig.1

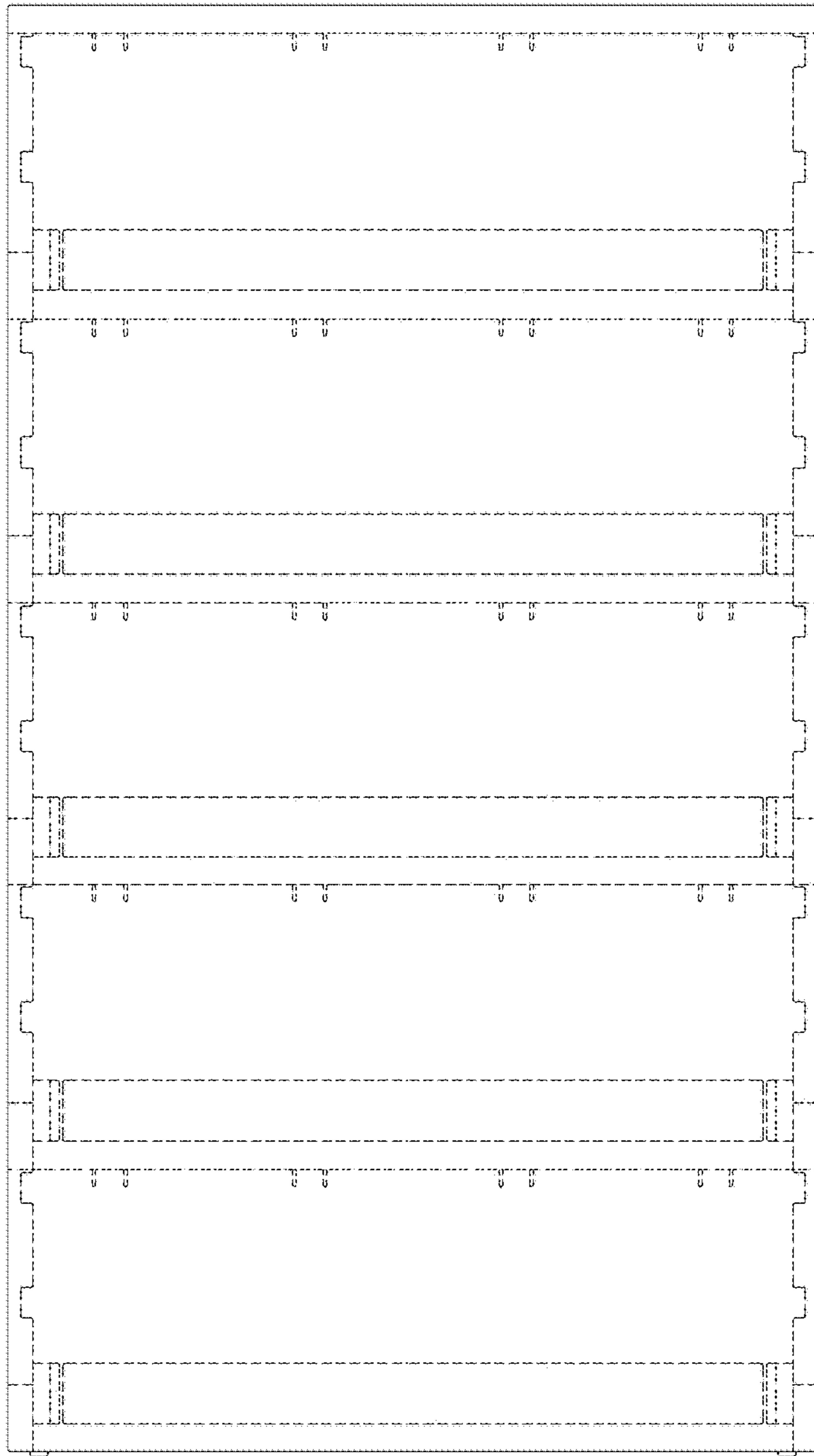


Fig.2

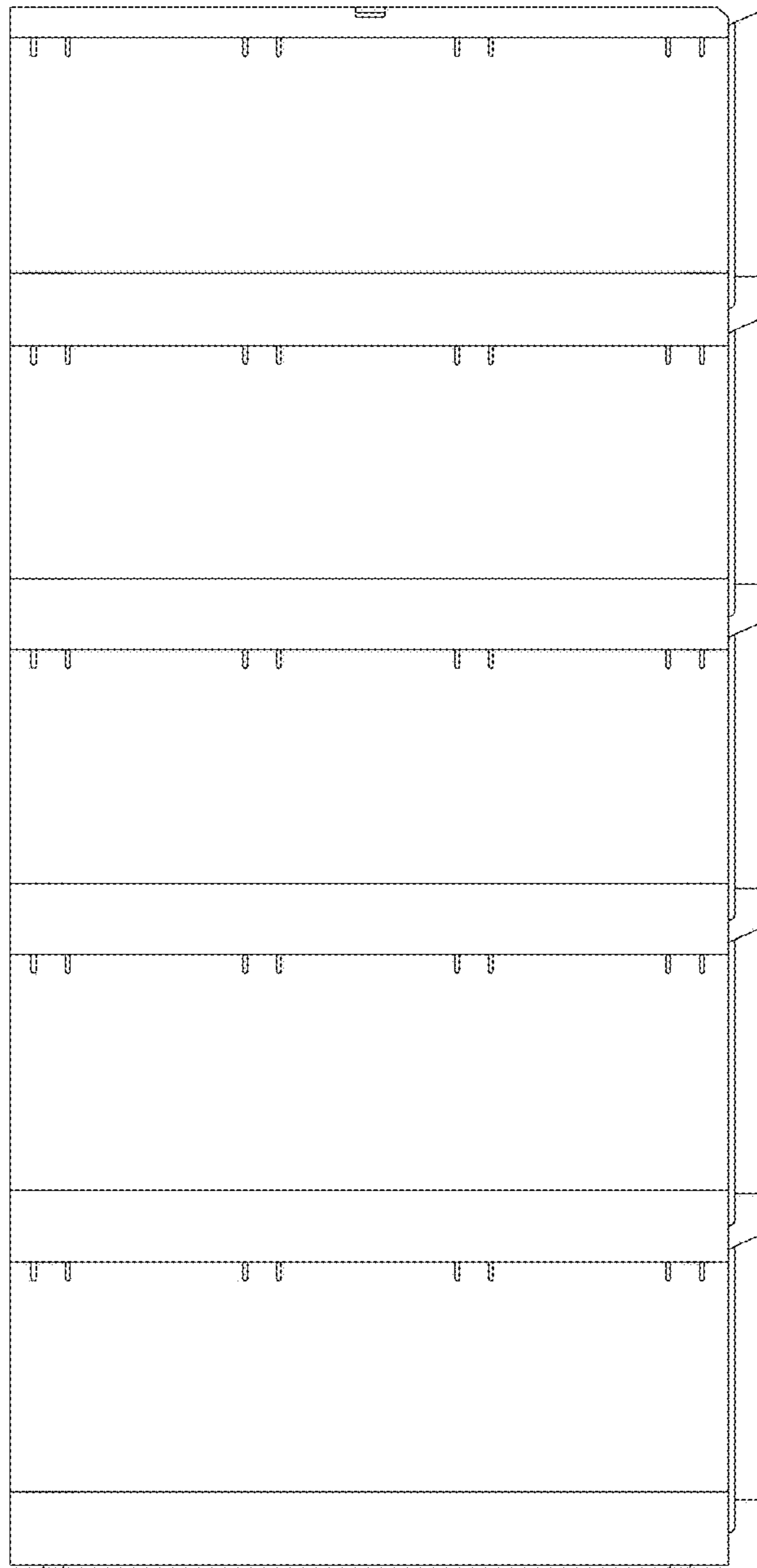


Fig.3

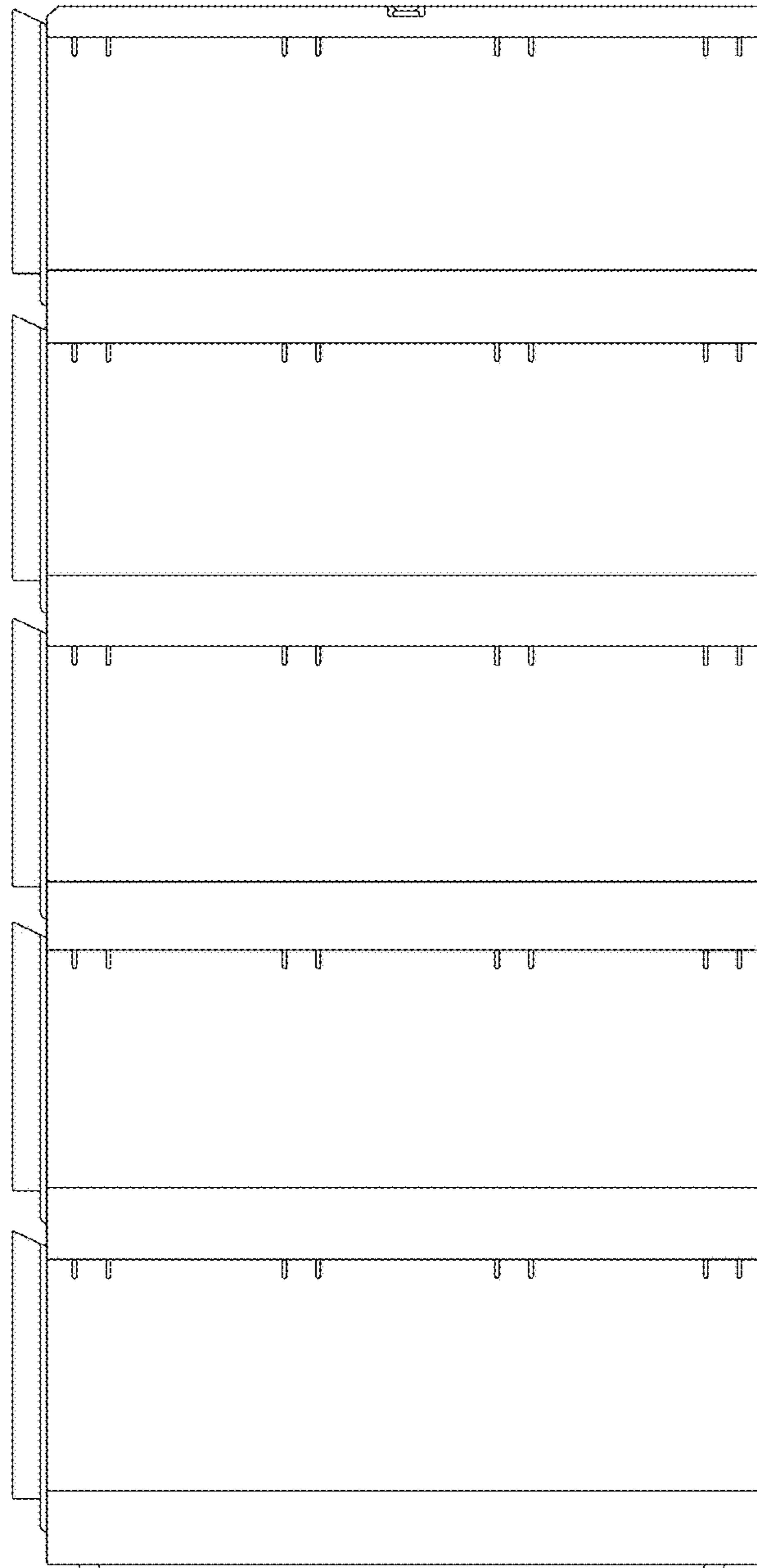


Fig.4

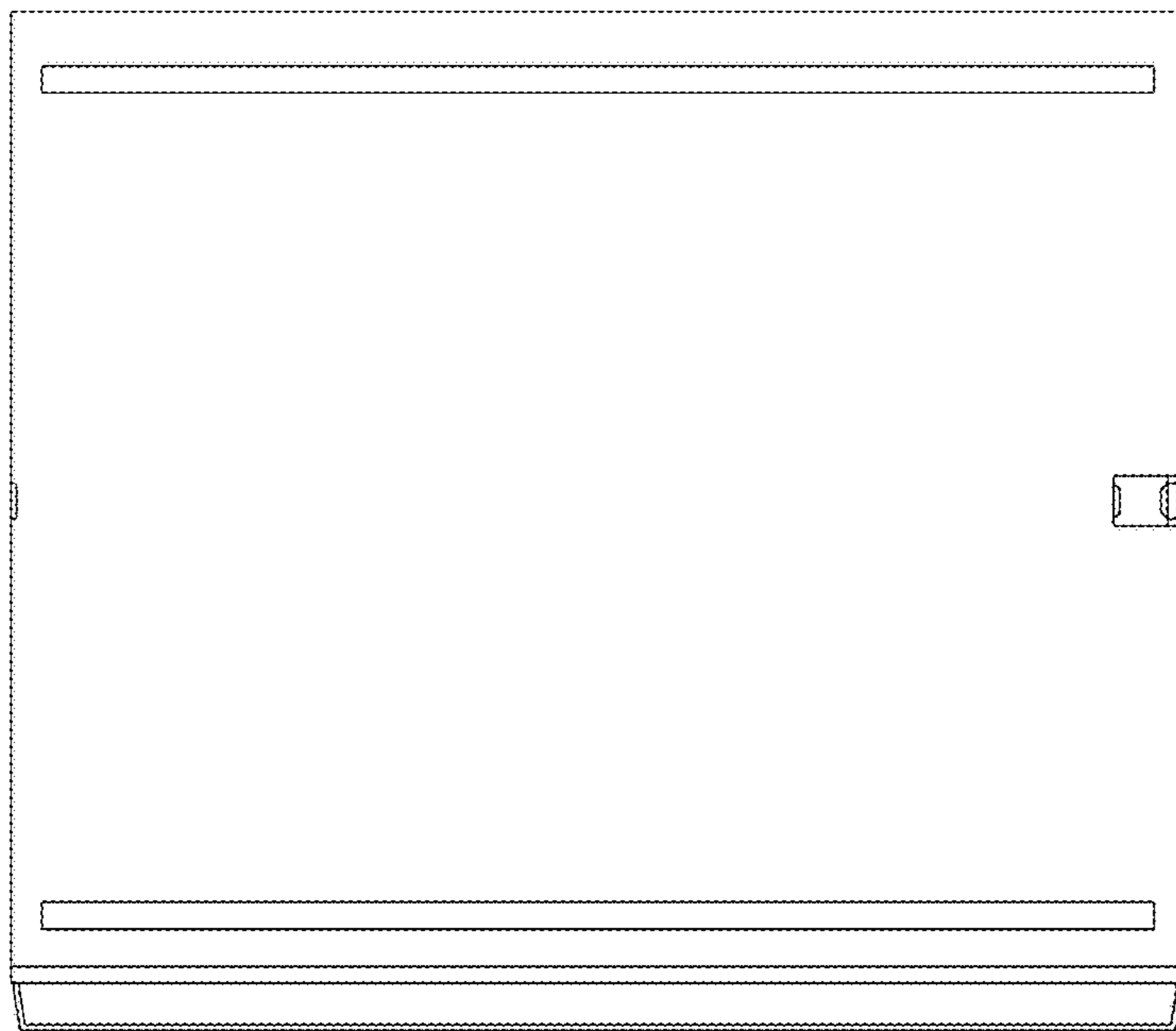


Fig.5

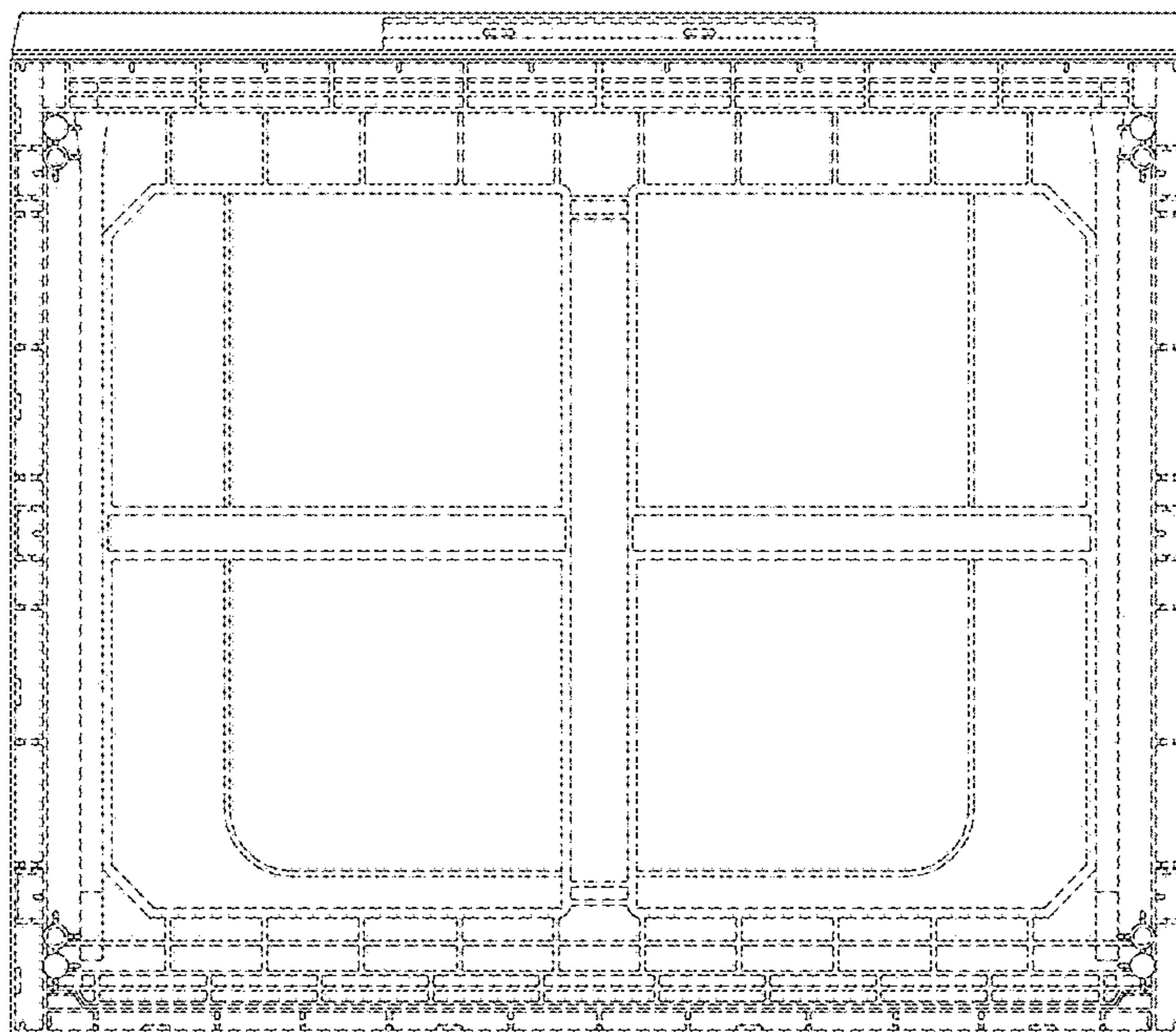


Fig.6

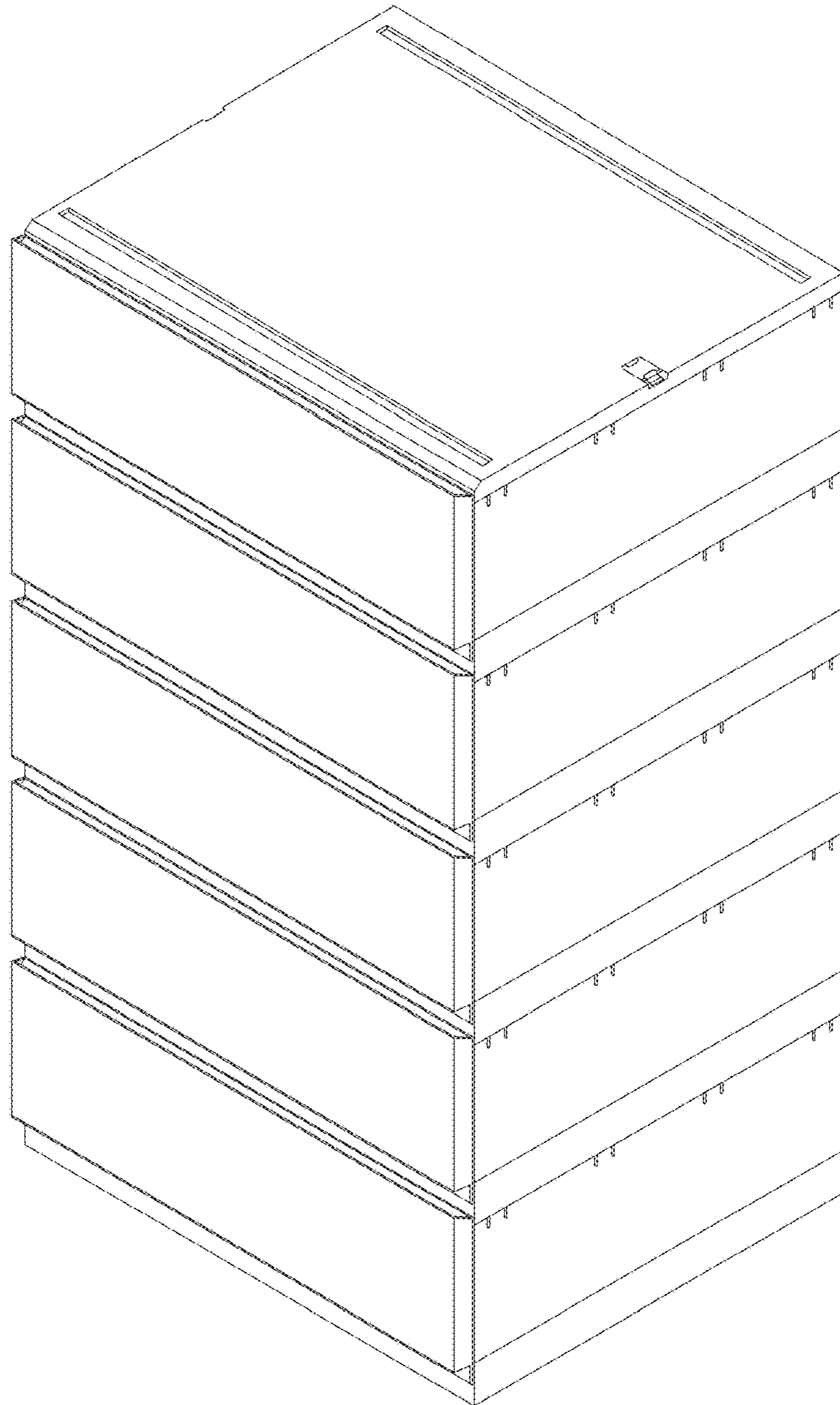


Fig.7