



US00D855982S

(12) **United States Design Patent**
McGinn

(10) **Patent No.:** **US D855,982 S**

(45) **Date of Patent:** **** Aug. 13, 2019**

(54) **DECORATIVE TOTE BAG**

(71) Applicant: **Sacqua Limited**, County Dublin (IE)

(72) Inventor: **Sonja McGinn**, Dublin (IE)

(73) Assignee: **Sacqua Limited**, Dun Laoghaire, Co. Dublin (IE)

(**) Term: **15 Years**

(21) Appl. No.: **29/639,329**

(22) Filed: **Mar. 6, 2018**

(51) **LOC (12) Cl.** **03-01**

(52) **U.S. Cl.**
USPC **D3/246**

(58) **Field of Classification Search**
USPC D3/232-233, 240-243, 245-246
CPC A45C 1/024; A45C 3/06
See application file for complete search history.

(56) **References Cited**

U.S. PATENT DOCUMENTS

D392,459 S * 3/1998 Jones D3/245

D403,159 S * 12/1998 Bellehchili D3/303
D426,060 S * 6/2000 Chapelier D3/232
D582,672 S * 12/2008 Gonzalez D3/245
D587,010 S * 2/2009 Deck D3/246

* cited by examiner

Primary Examiner — Holly H Baynham

(74) *Attorney, Agent, or Firm* — Michael Crilly, Esquire

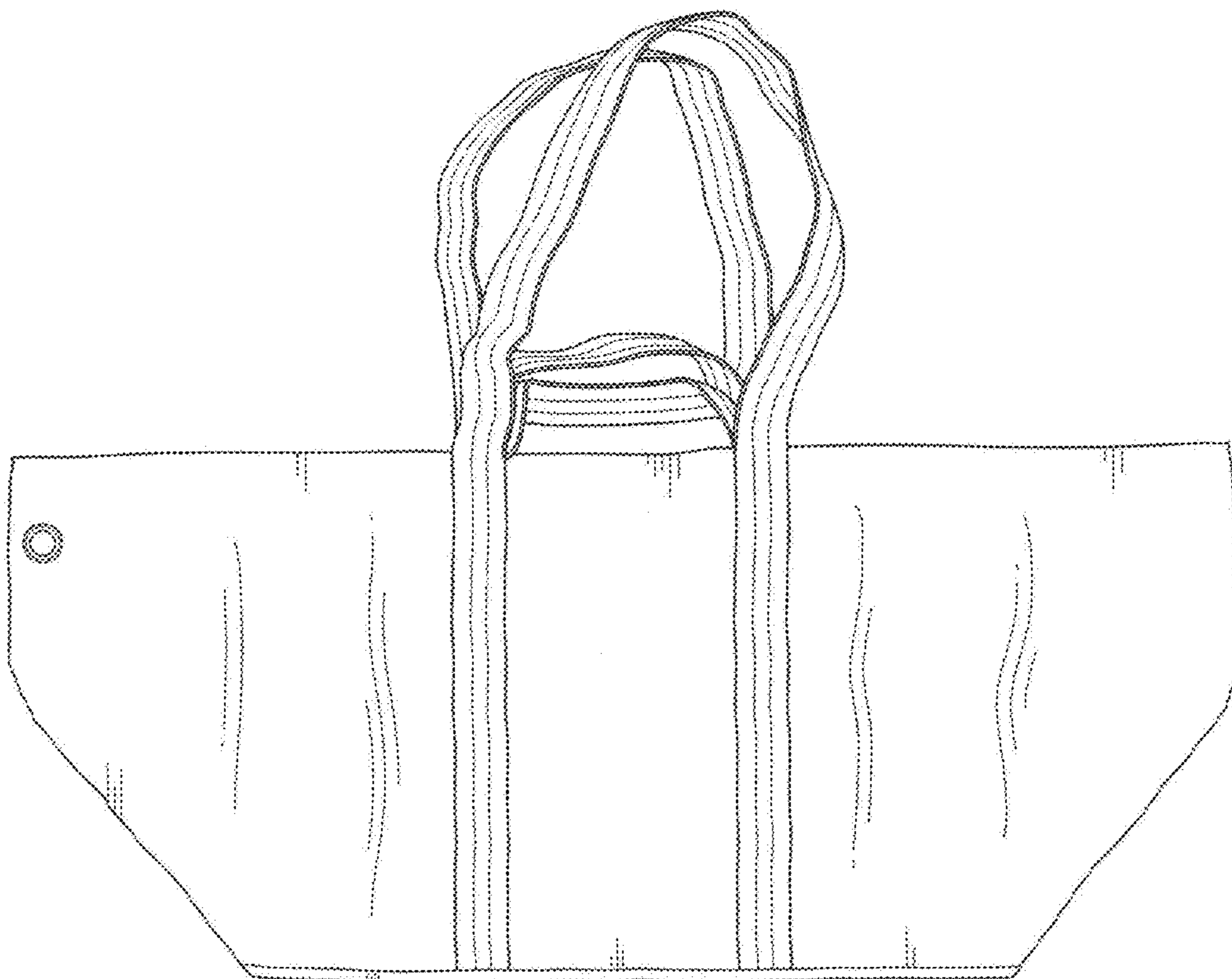
(57) **CLAIM**

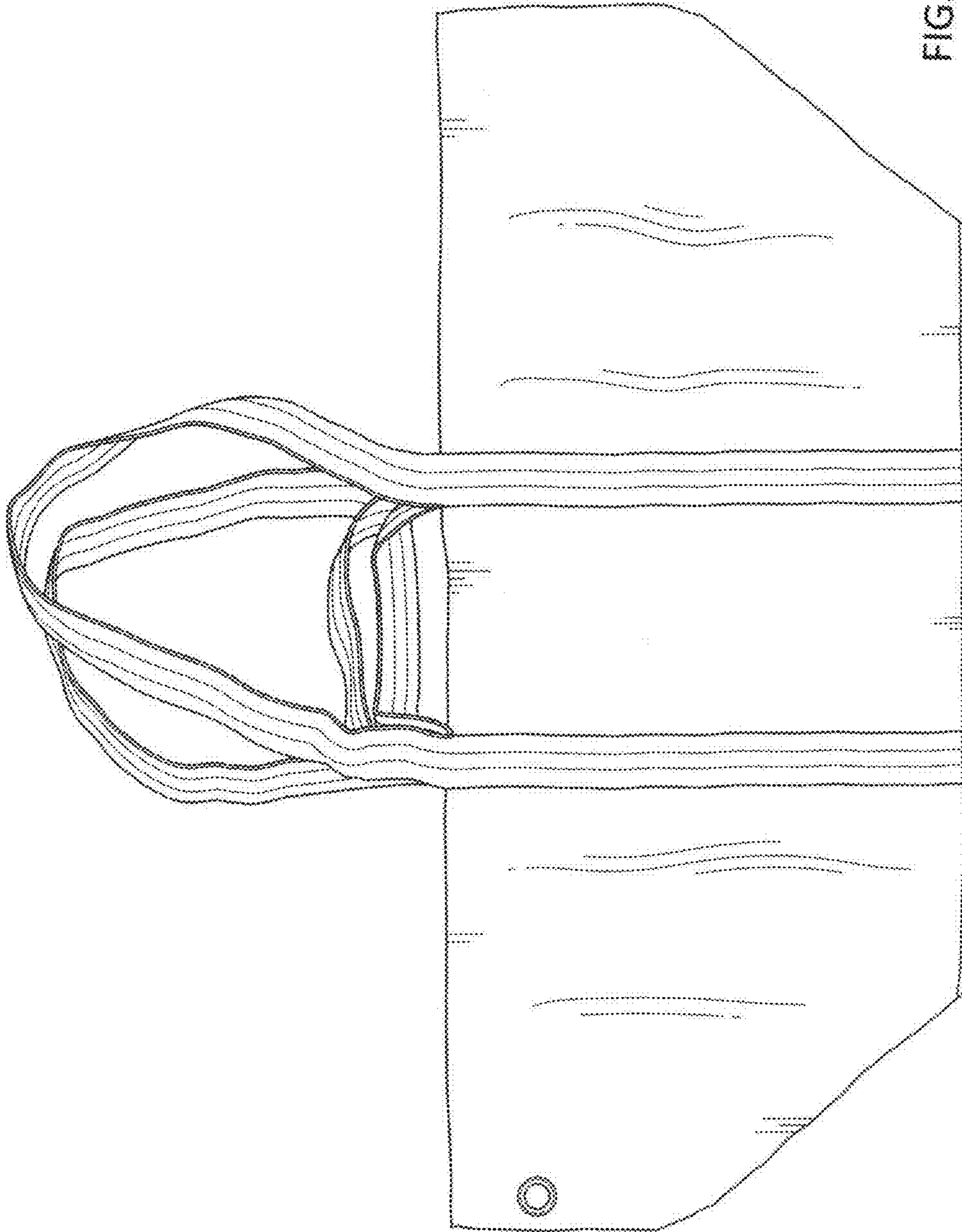
The ornamental design for a decorative tote bag, as shown and described.

DESCRIPTION

FIG. 1 is a front elevation view of the decorative tote bag according to the new design; and, FIG. 2 is a rear elevation view of the decorative tote bag of FIG. 1.

1 Claim, 2 Drawing Sheets





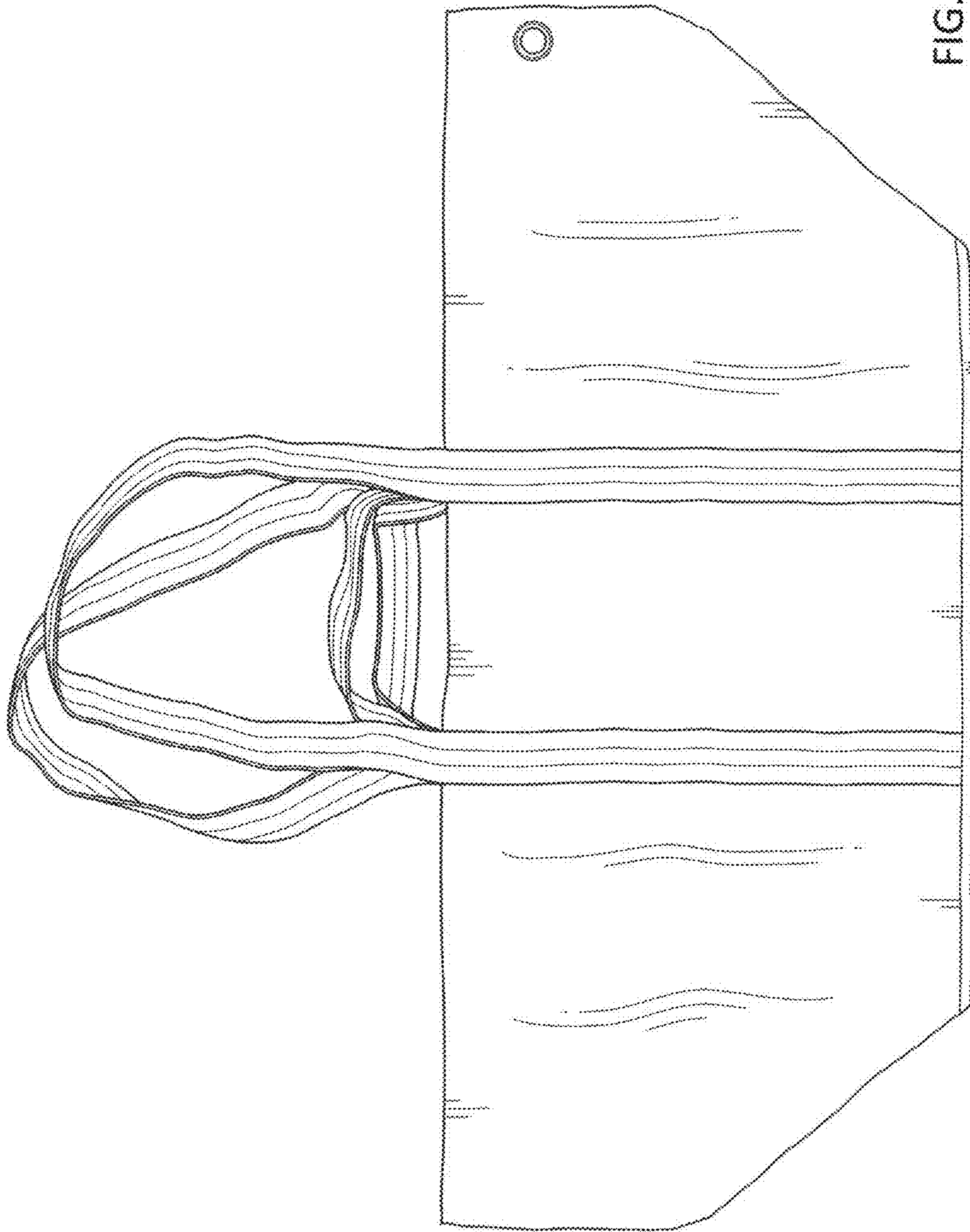


FIG. 2