



US00D855981S

(12) **United States Design Patent**  
**Vickery**

(10) **Patent No.:** **US D855,981 S**

(45) **Date of Patent:** **\*\* Aug. 13, 2019**

(54) **CROSSBODY BAG**

(71) Applicant: **Initials, Inc.**, Clarkesville, GA (US)

(72) Inventor: **Britney Vickery**, Clarkesville, GA (US)

(73) Assignee: **Initials, Inc.**, Clarkesville, GA (US)

(\*\*) Term: **15 Years**

(21) Appl. No.: **29/653,324**

(22) Filed: **Jun. 14, 2018**

(51) **LOC (12) Cl.** ..... **03-01**

(52) **U.S. Cl.**  
USPC ..... **D3/243**

(58) **Field of Classification Search**  
USPC ..... D3/226, 227, 229, 230, 232, 233, 234,  
D3/235, 238, 239, 240, 241, 242, 243,  
D3/244, 245, 246, 247, 248, 249, 250,  
D3/251, 253, 270, 271.2, 271.3, 271.9  
CPC .. A45C 1/024; A45C 3/04; A45C 3/06; A45C  
3/08; A45C 3/10; A45C 7/0059; A45C  
7/0077; A45C 13/08; A45C 13/26; A45C  
2001/083

See application file for complete search history.

(56) **References Cited**

U.S. PATENT DOCUMENTS

2,479,472 A \* 8/1949 Coplon ..... A45C 11/04  
150/145  
D266,971 S \* 11/1982 Katz ..... D3/246  
D304,781 S \* 11/1989 Hanson ..... D6/629  
D343,951 S \* 2/1994 Petty ..... D3/243  
6,244,486 B1 \* 6/2001 Holland ..... A45F 5/02  
224/223

6,766,932 B2 \* 7/2004 Hansen ..... A45C 1/06  
150/143  
D503,535 S \* 4/2005 Kraft ..... D3/227  
D522,750 S \* 6/2006 Girod ..... D3/303  
D525,024 S \* 7/2006 Fridie ..... D3/201  
D700,773 S \* 3/2014 Lupkas ..... D3/203.2  
D741,595 S \* 10/2015 Staley ..... D3/233  
D797,443 S \* 9/2017 Holmes ..... D3/226  
D841,263 S \* 2/2019 Kessler ..... D30/199

\* cited by examiner

*Primary Examiner* — Cathron C Brooks

*Assistant Examiner* — Andrew T Nemeth

(74) *Attorney, Agent, or Firm* — Smith Tempel Blaha  
LLC; Matthew T. Hoots

(57) **CLAIM**

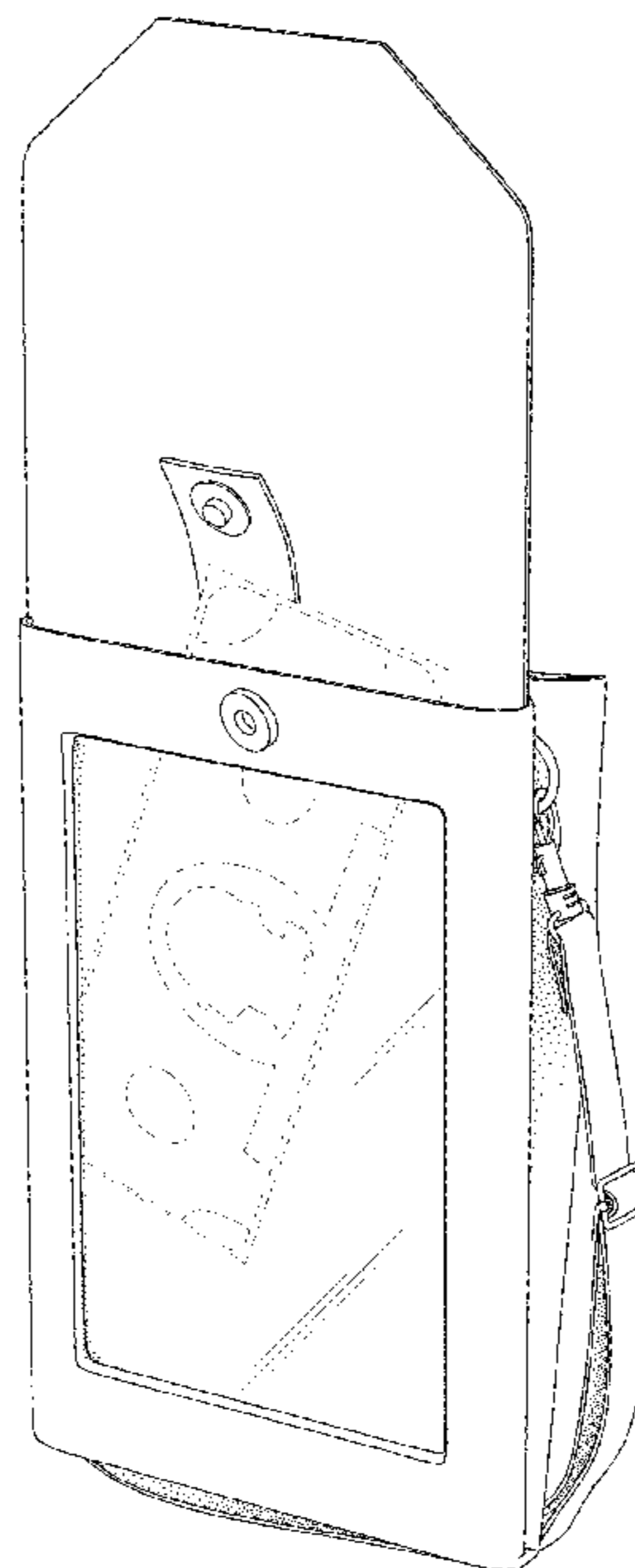
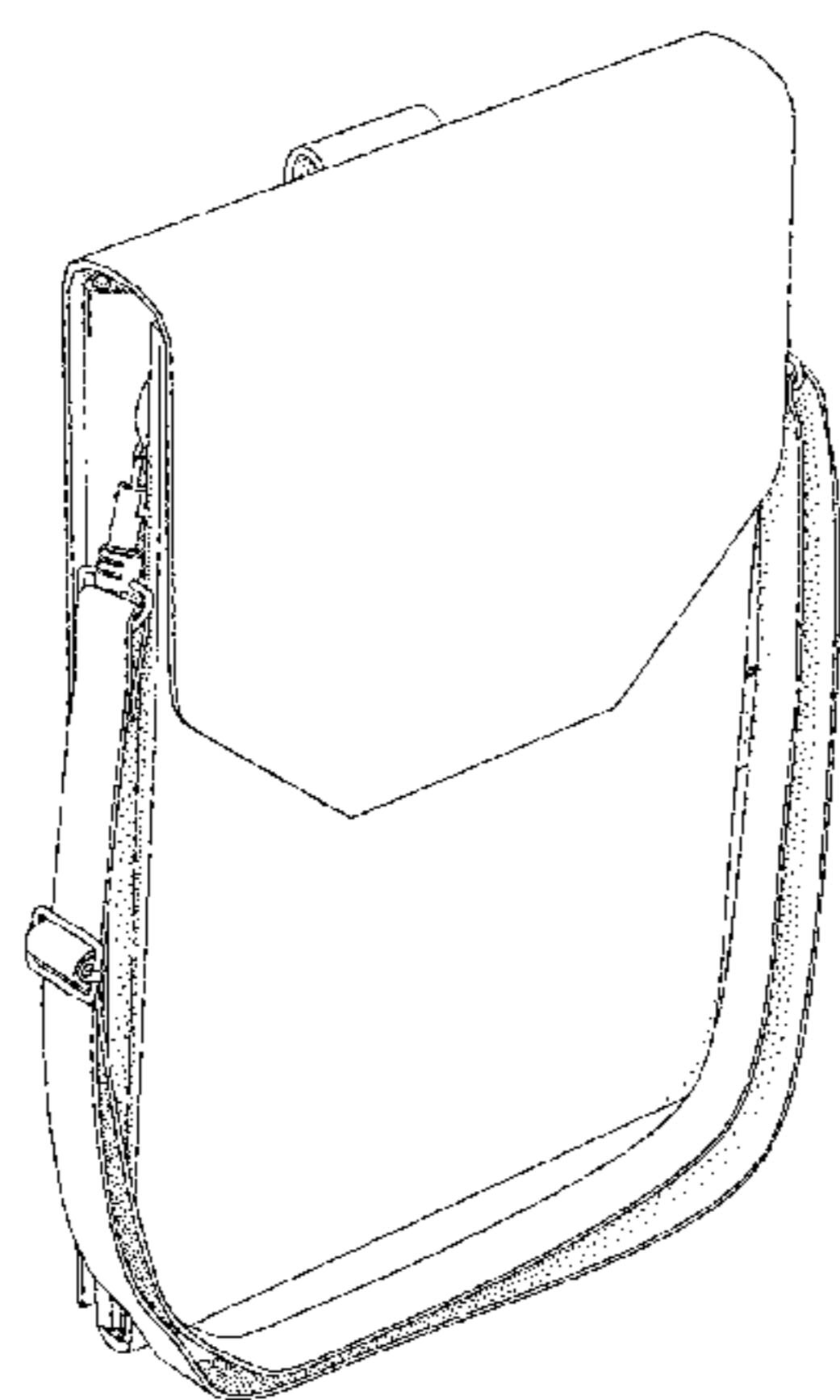
The ornamental design for a crossbody bag, as shown and described.

**DESCRIPTION**

FIG. 1 is a front-side and left-side perspective view of a crossbody bag showing my new design;  
FIG. 2 is another front-side and left-side perspective view thereof;  
FIG. 3 is a back-side and left-side perspective view thereof;  
FIG. 4 is a front-side view thereof;  
FIG. 5 is a back-side view thereof;  
FIG. 6 is a left-side view thereof;  
FIG. 7 is a right-side view thereof;  
FIG. 8 is a top view thereof; and,  
FIG. 9 is a bottom view thereof.

The broken line showing of the dollar bills in FIGS. 3 and 5 depict environment and form no part of the claimed design.

**1 Claim, 7 Drawing Sheets**



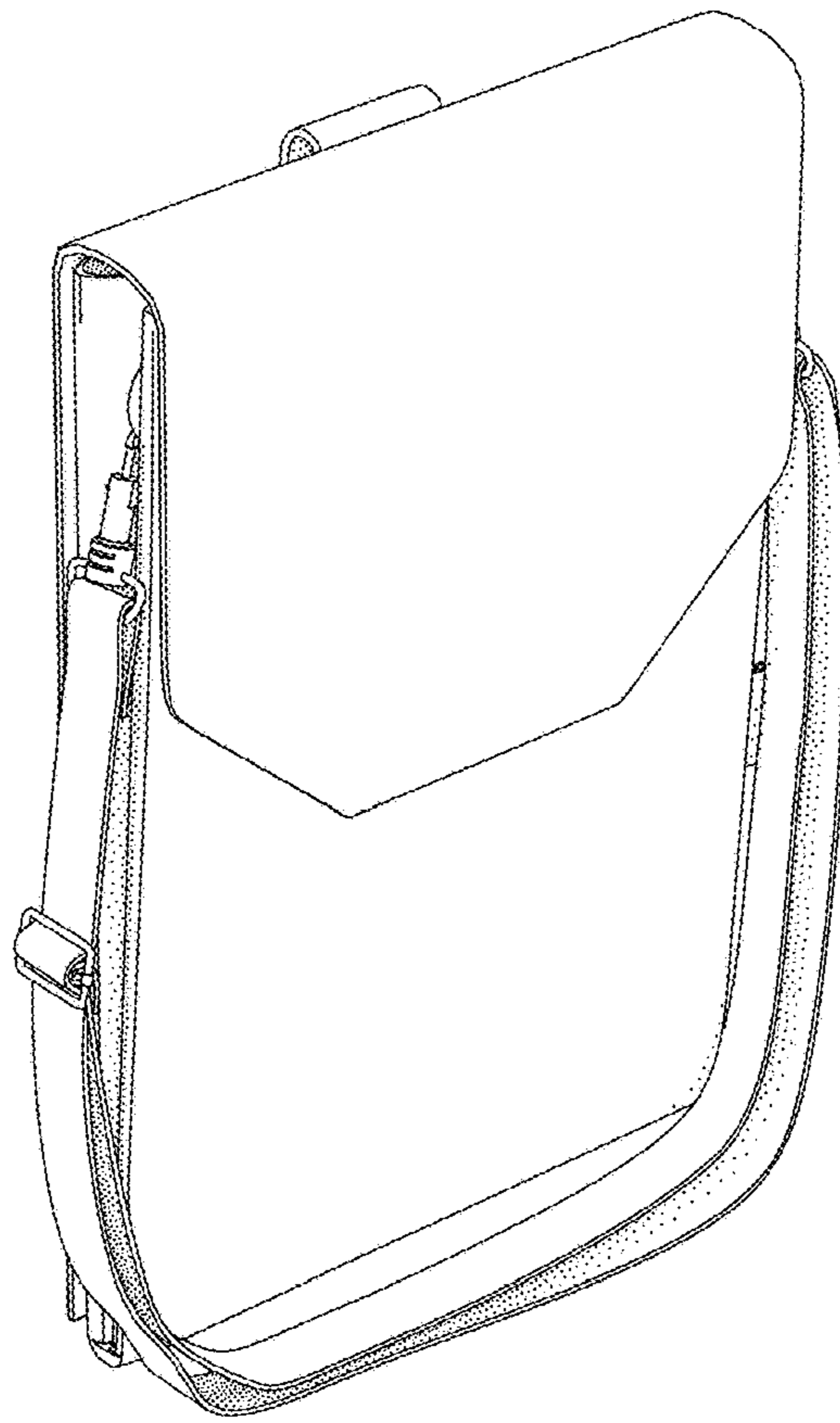


FIG. 1

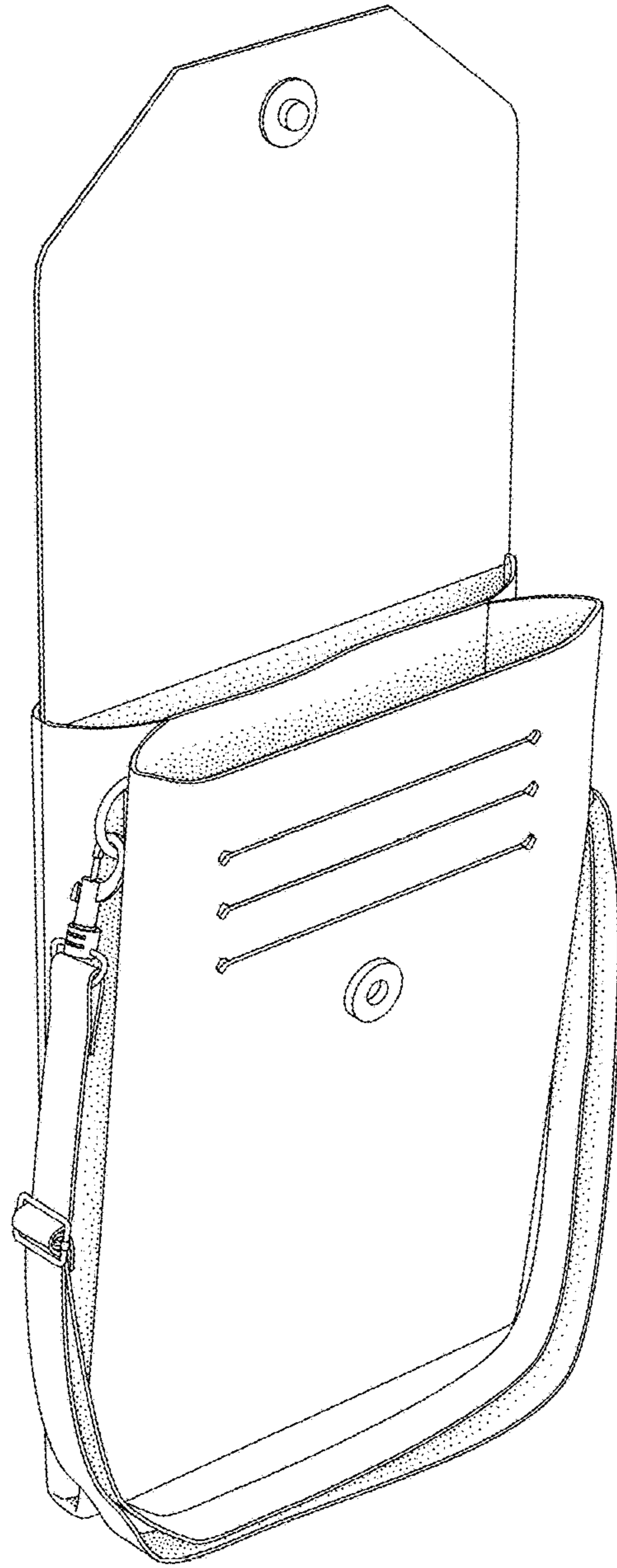


FIG. 2

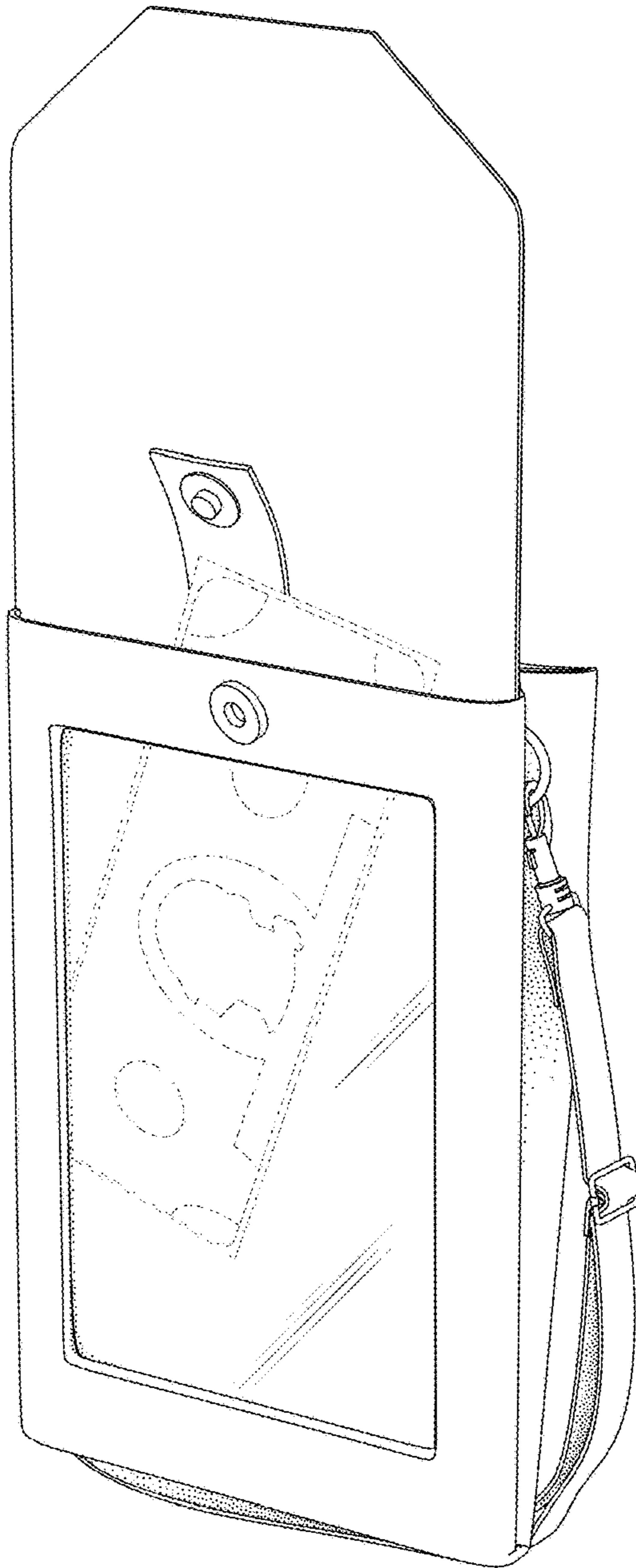


FIG. 3

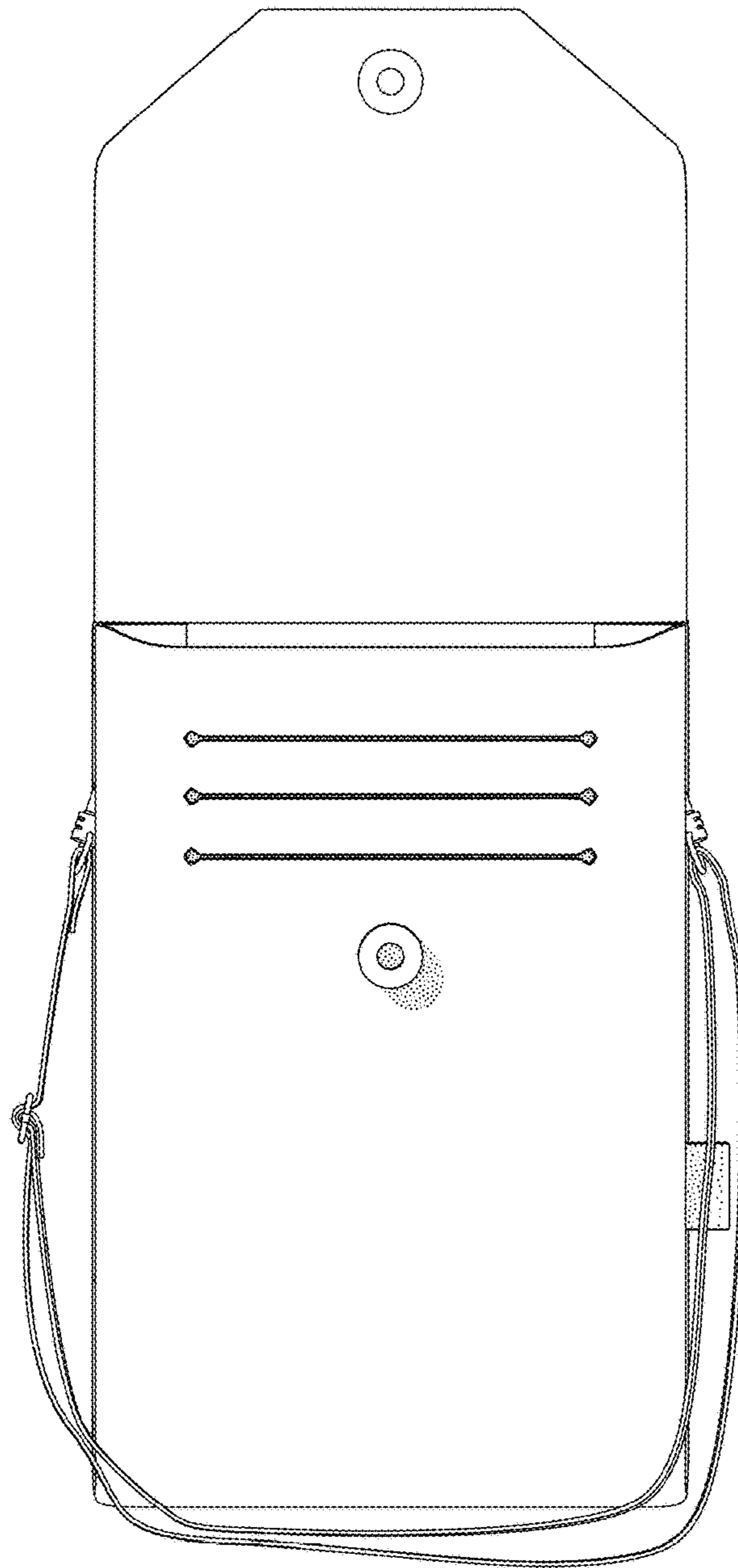


FIG. 4

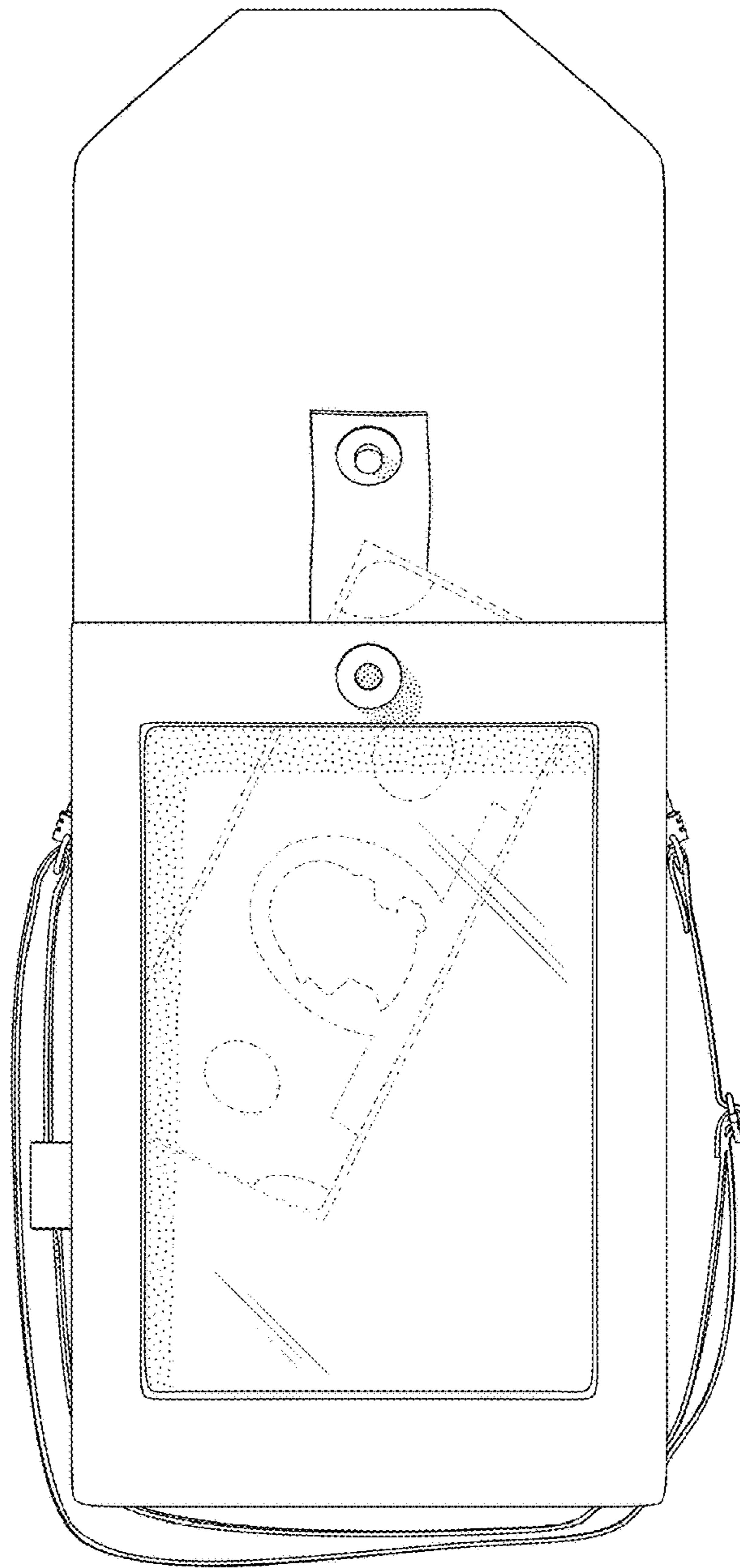


FIG. 5

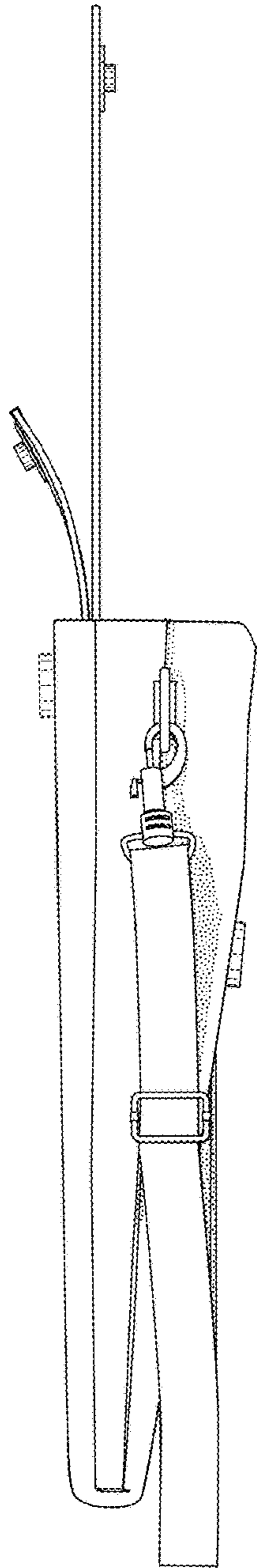


FIG. 6

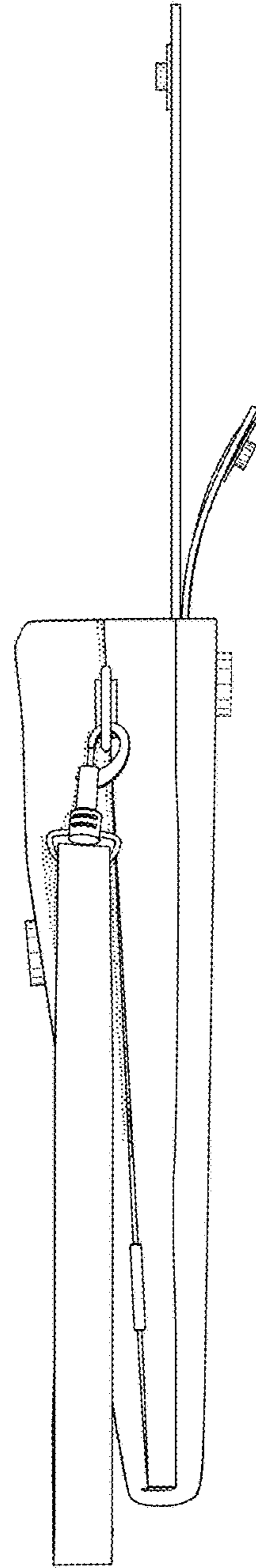


FIG. 7

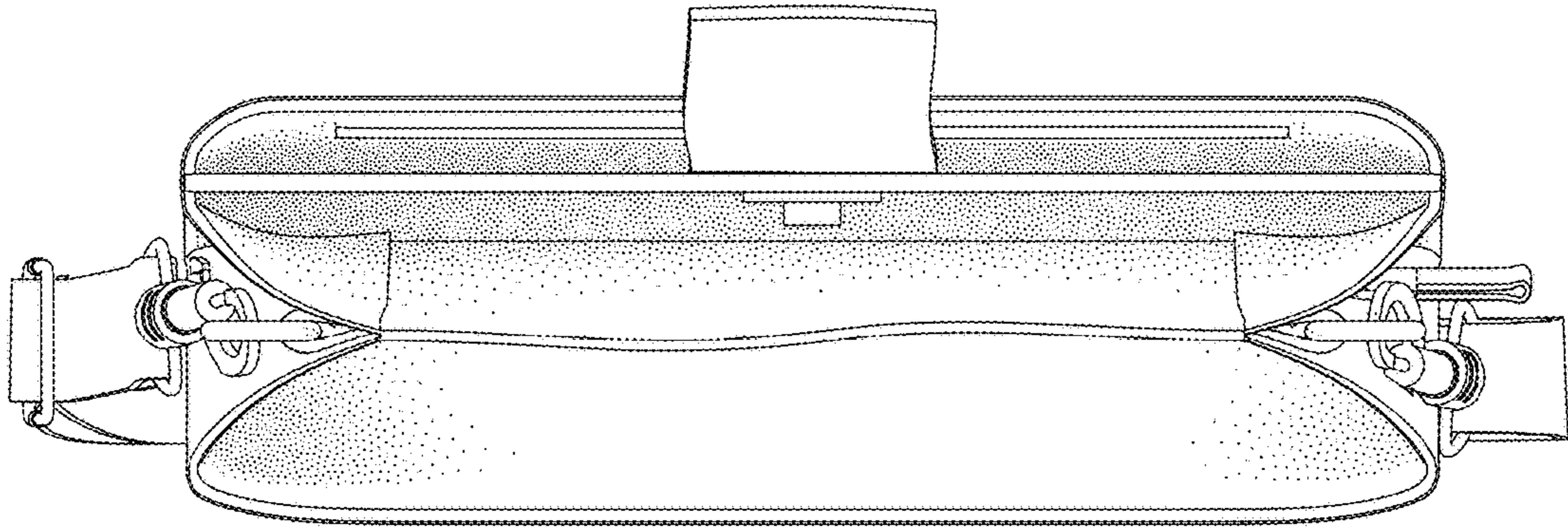


FIG. 8

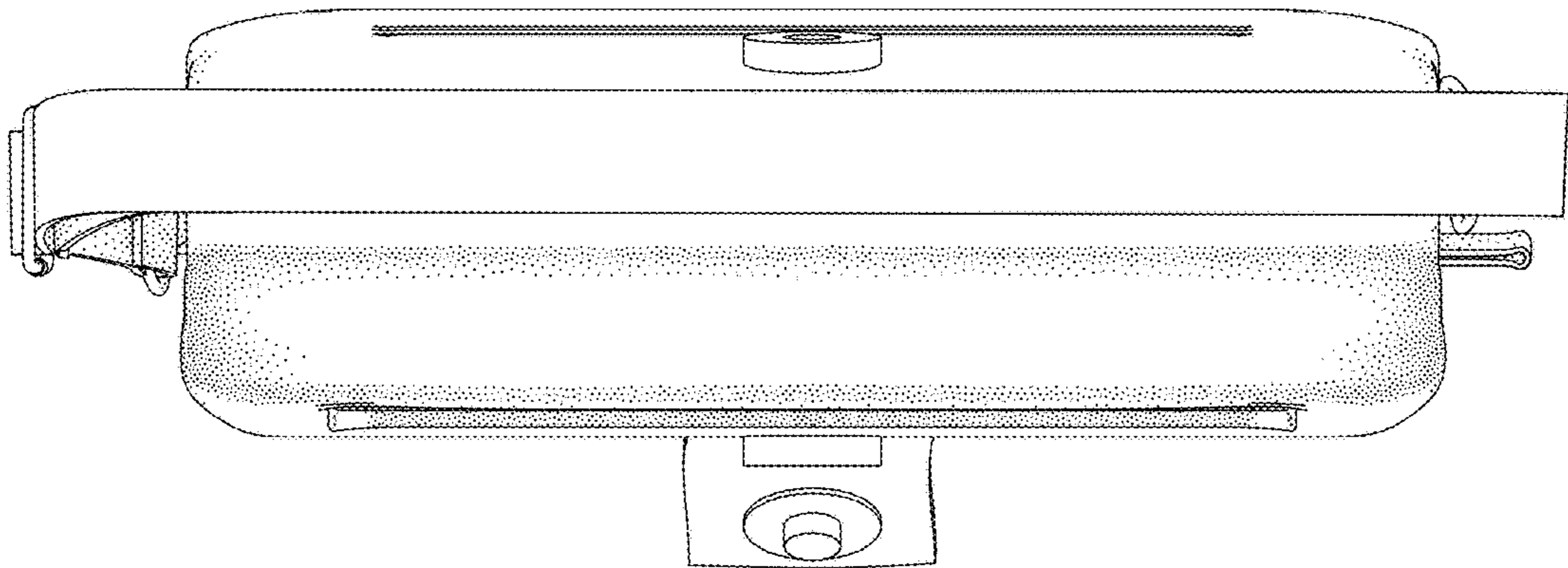


FIG. 9