



US00D855980S

(12) **United States Design Patent**
Rahardjo

(10) **Patent No.:** **US D855,980 S**

(45) **Date of Patent:** **** Aug. 13, 2019**

(54) **HANDBAG**

(71) Applicant: **Sri Rahardjo**, Singapore (SG)

(72) Inventor: **Sri Rahardjo**, Singapore (SG)

(**) Term: **15 Years**

(21) Appl. No.: **29/640,085**

(22) Filed: **Mar. 12, 2018**

(51) **LOC (12) Cl.** **03-01**

(52) **U.S. Cl.**
USPC **D3/243**

(58) **Field of Classification Search**
USPC D3/232–233, 240–243, 245–246
CPC A45C 1/024; A45C 3/06
See application file for complete search history.

(56) **References Cited**

U.S. PATENT DOCUMENTS

2,253,791	A *	8/1941	Kline	B60T 1/005 188/112 R
D263,897	S *	4/1982	Thornton	D3/243
5,628,386	A *	5/1997	England	B60B 33/00 16/35 R
D423,771	S *	5/2000	Gomez	D3/205
D519,732	S *	5/2006	Gonzalez	D3/243
D541,048	S *	4/2007	Moon	D3/318
D575,957	S *	9/2008	Sciicluna	D3/318
D593,326	S *	6/2009	Yeh	D3/318
D594,316	S *	6/2009	Rhein	D8/375
D603,690	S *	11/2009	Rhein	D8/375
D637,069	S *	5/2011	Venne	D8/375
D653,526	S *	2/2012	Melara	D8/375
D723,270	S *	3/2015	Basha	D3/243

D727,136	S *	4/2015	Yue	D8/375
D733,541	S *	7/2015	Fan	D8/375
D736,608	S *	8/2015	Fan	D8/375
D778,146	S *	2/2017	Kausemann	D8/375
D785,932	S *	5/2017	Koutsolioutsos	D3/243
D795,045	S *	8/2017	Diz	D8/375
D800,449	S *	10/2017	Nair	D3/243
D812,904	S *	3/2018	Nair	D3/243
D836,341	S *	12/2018	Kite	D3/318

* cited by examiner

Primary Examiner — Holly H Baynham

(74) *Attorney, Agent, or Firm* — Ziegler IP Law Group, LLC

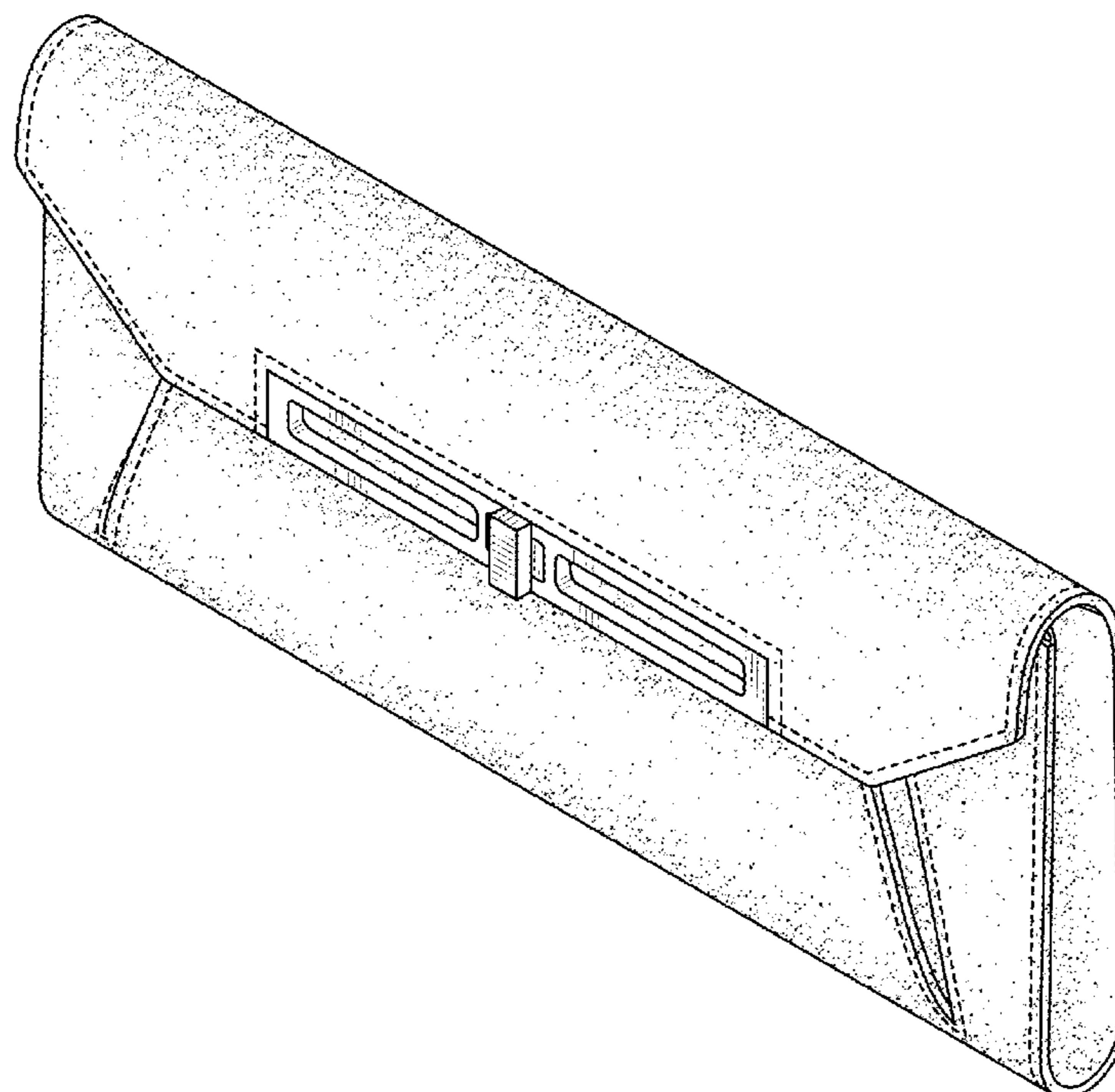
(57) **CLAIM**

The ornamental design for a handbag, as shown and described.

DESCRIPTION

FIG. 1 is a perspective view of a first embodiment of a handbag showing the new design; FIG. 2 is a top view thereof; FIG. 3 is a front view thereof; FIG. 4 is a side view thereof; FIG. 5 is a back view thereof; FIG. 6 is another side view thereof, shown from the side opposite that shown in FIG. 4; and, FIG. 7 is a bottom view thereof. The broken lines showing stitching and clasp are for the purposes of illustrating environment and form no part of the claimed design.

1 Claim, 3 Drawing Sheets



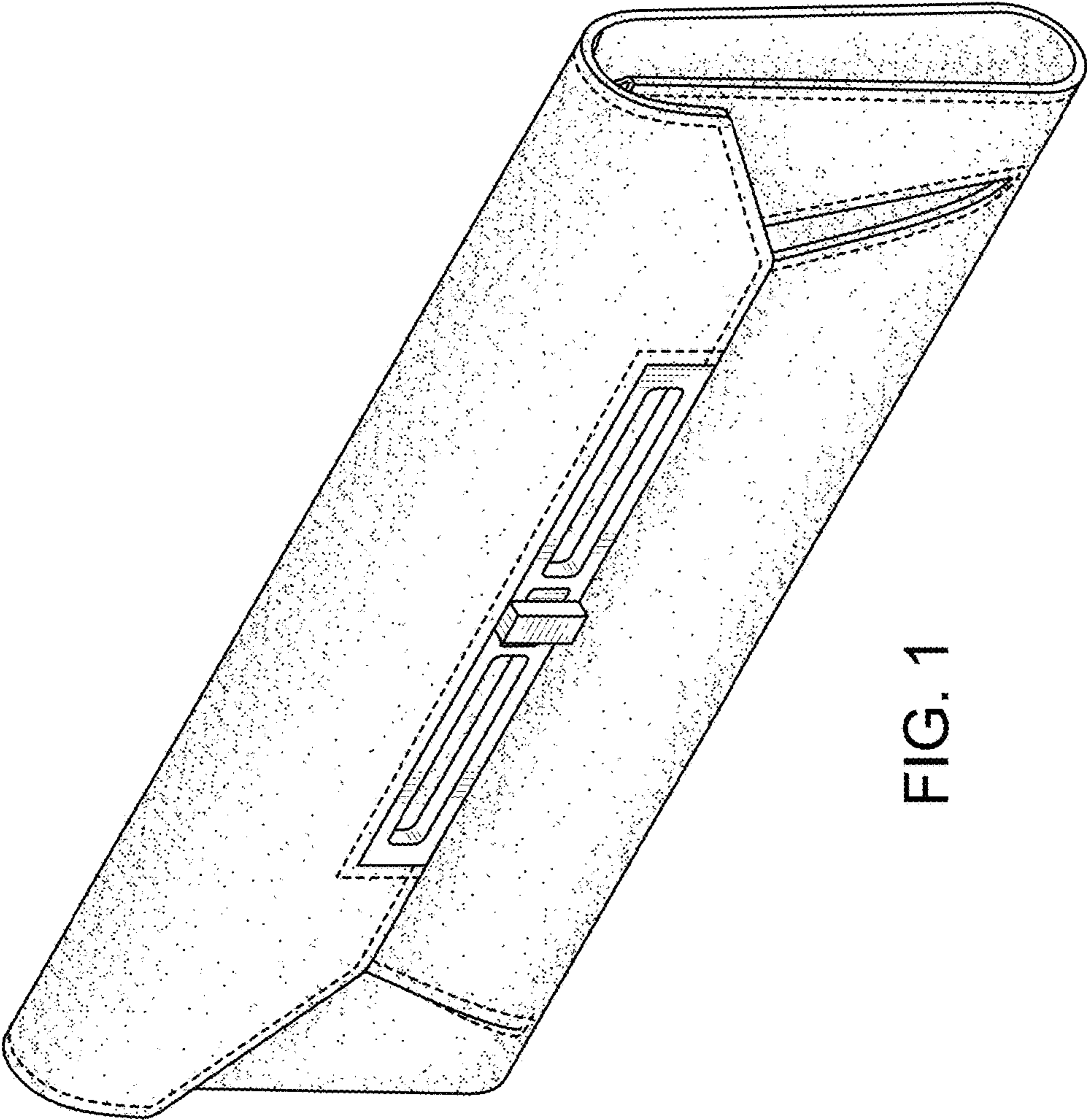


FIG. 1

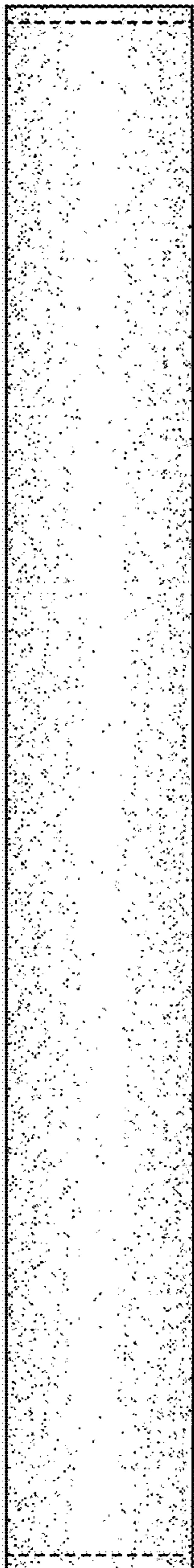


FIG. 2

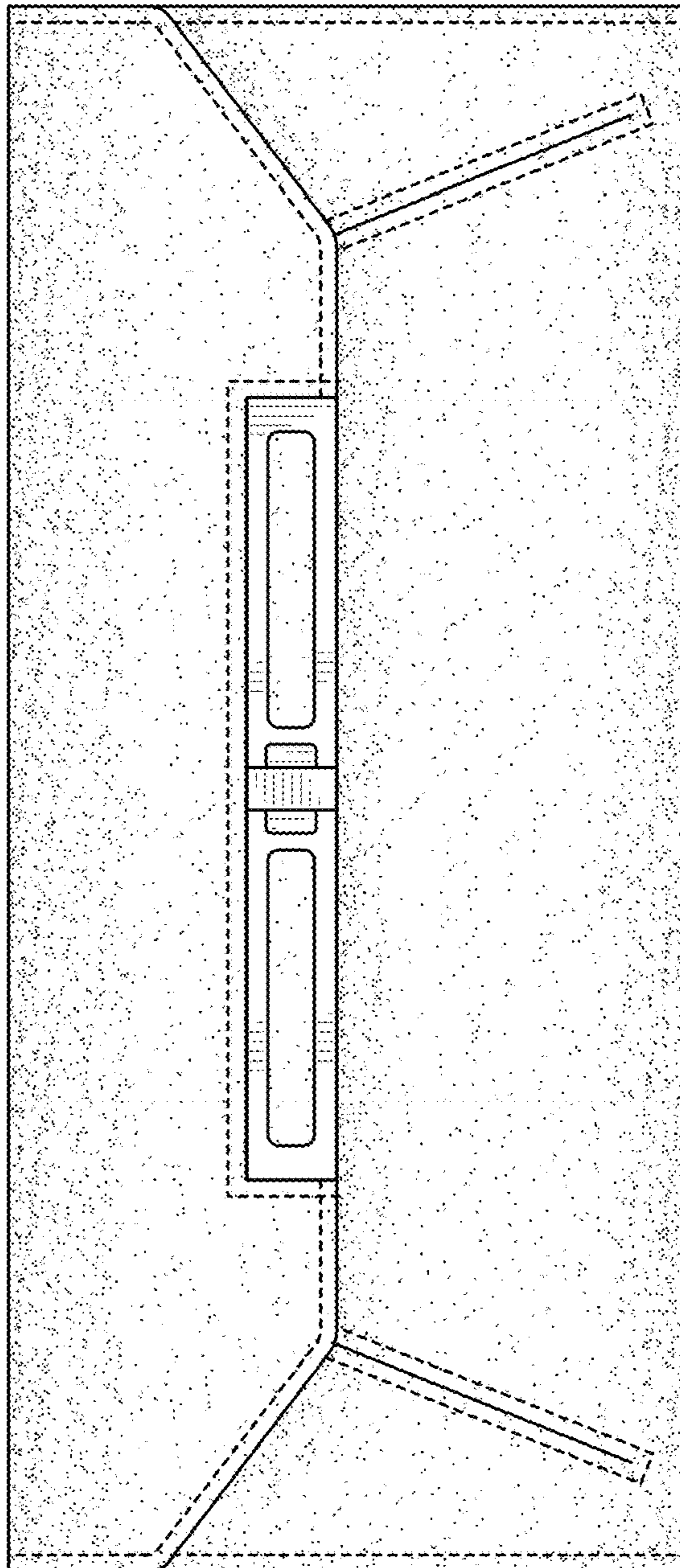


FIG. 3

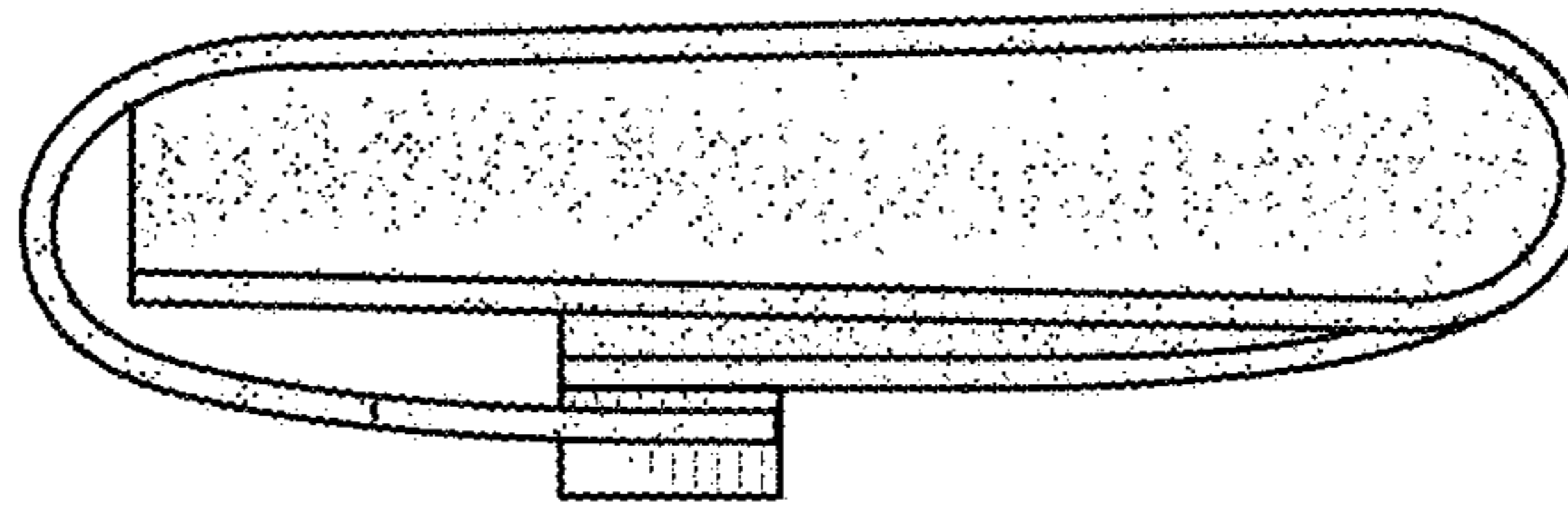


FIG. 4

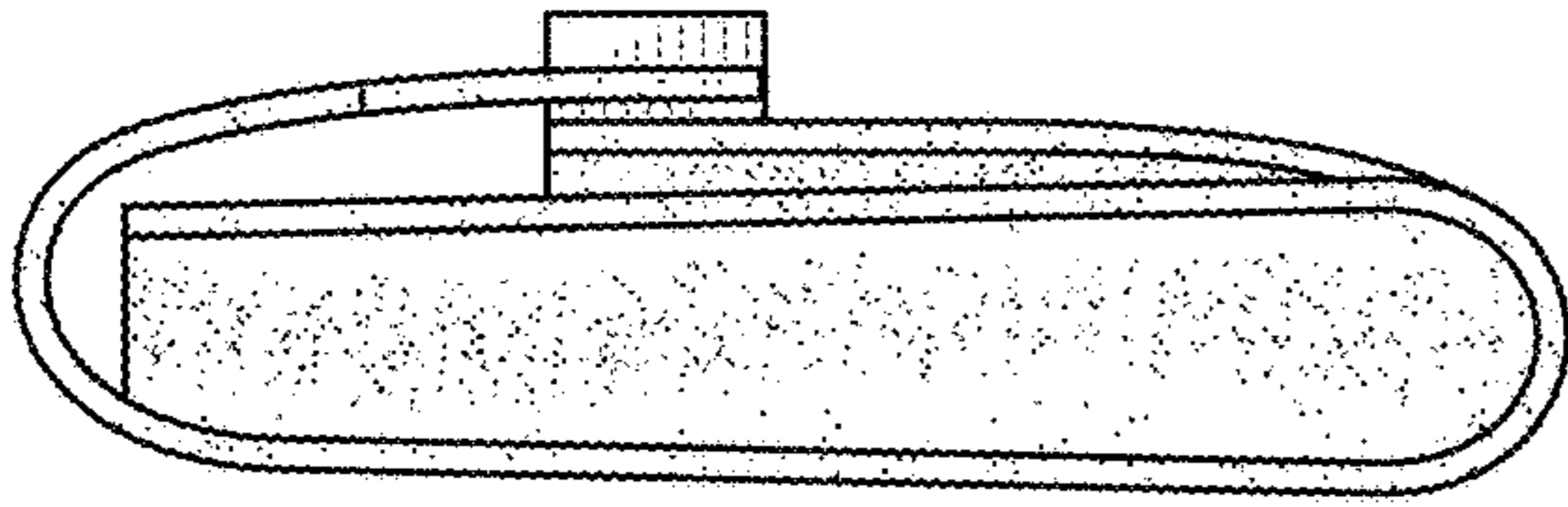


FIG. 6

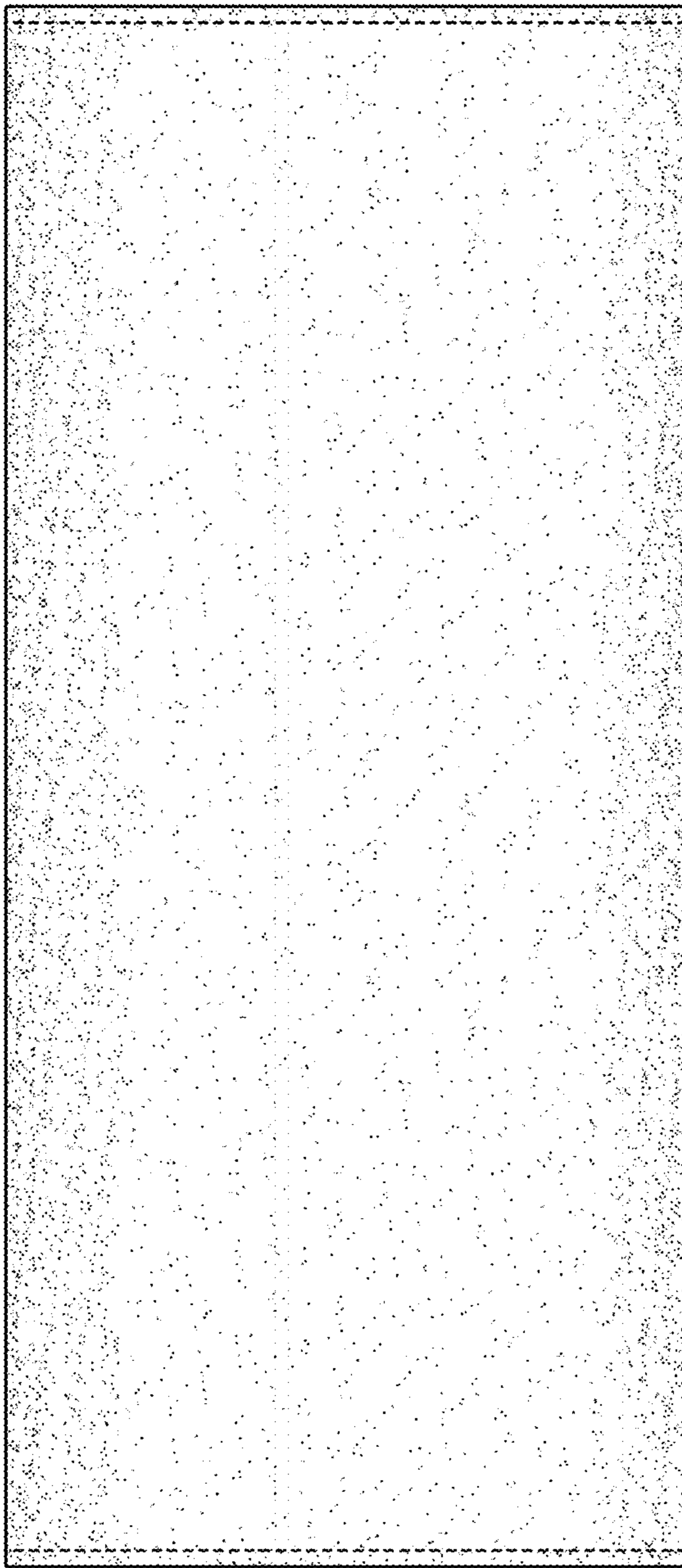


FIG. 5

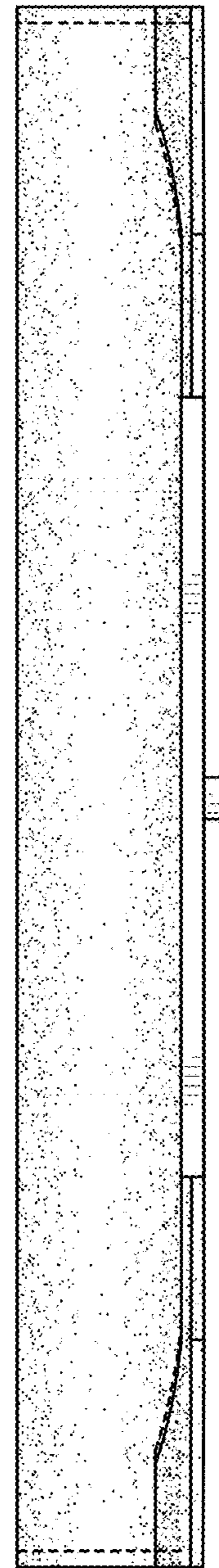


FIG. 7