



US00D855977S

(12) **United States Design Patent** (10) **Patent No.:** **US D855,977 S**
Gale (45) **Date of Patent:** **** Aug. 13, 2019**

(54) **HANDBAG**

OTHER PUBLICATIONS

(71) Applicant: **LOUIS VUITTON MALLETIER**,
Paris (FR)

Introducing the Louis Vuitton Chain It Bag, by Amanda Mull, dated Mar. 7, 2017, purseblog.com [online]. Retrieved Mar. 4, 2018 from internet <URL:https://www.purseblog.com/louis-vuitton/louis-vuitton-chain-it-bag/> (Year: 2017).*

(72) Inventor: **Emma Gale**, Paris (FR)

ILouis Vuitton Chain It Bag PM, by lux ken, published Sep. 27, 2017, youtube.com [online]. Retrieved Mar. 15, 2018 from internet <URL:https://www.youtube.com/watch?v=bZeb-gcQiH4> (Year: 2017).*

(73) Assignee: **LOUIS VUITTON MALLETIER**,
Paris (FR)

(**) Term: **15 Years**

* cited by examiner

(21) Appl. No.: **29/599,581**

Primary Examiner — Cathron C Brooks

(22) Filed: **Apr. 5, 2017**

Assistant Examiner — Andrew T Nemeth

(51) **LOC (12) Cl.** **03-01**

(74) *Attorney, Agent, or Firm* — Fross Zelnick Lehrman & Zissu, P.C.; Charles T. J. Weigell, Esq.

(52) **U.S. Cl.**

USPC **D3/243**

(58) **Field of Classification Search**

(57) **CLAIM**

USPC D3/232–236, 245–246, 318, 238–243,
D3/304, 306–308; D9/681

The ornamental design for a handbag, as shown and described.

CPC .. A45C 1/024; A45C 3/06; A45C 3/00; A45C
7/00; A45C 7/0068; A45C 3/10

See application file for complete search history.

DESCRIPTION

(56) **References Cited**

FIG. 1 is a top, front, right perspective view of a handbag showing my new design;

U.S. PATENT DOCUMENTS

FIG. 2 is a front elevation view thereof;

D268,304 S *	3/1983	Schimmel	D10/31
D626,331 S *	11/2010	Guyon	D3/243
D648,122 S *	11/2011	Guyon	D3/243
D648,123 S *	11/2011	Guyon	D3/243
D652,618 S *	1/2012	Smith Oshrin	D3/243
D726,410 S *	4/2015	Fusi	D3/243
D756,633 S *	5/2016	Spaziani	D3/243
D762,061 S *	7/2016	Serrano	D3/243
D767,884 S *	10/2016	Venturini Fendi	D3/243
D770,176 S *	11/2016	Guyon	D3/243
D792,092 S *	7/2017	Vevers	D3/243
D798,049 S *	9/2017	Hawkes	D3/243
D809,788 S *	2/2018	Fusi	D3/243

FIG. 3 is a rear elevation view thereof;

FIG. 4 is a top plan view thereof;

FIG. 5 is a bottom plan view thereof;

FIG. 6 is a left elevation view thereof; and,

FIG. 7 is a right elevation view thereof.

In FIG. 5, all of the broken lines shown in the center of the bottom surface of the handbag illustrate portions of the article that form no part of the claimed design. The remaining dashed lines in all views represent stitching and form part of the claimed design.

1 Claim, 7 Drawing Sheets



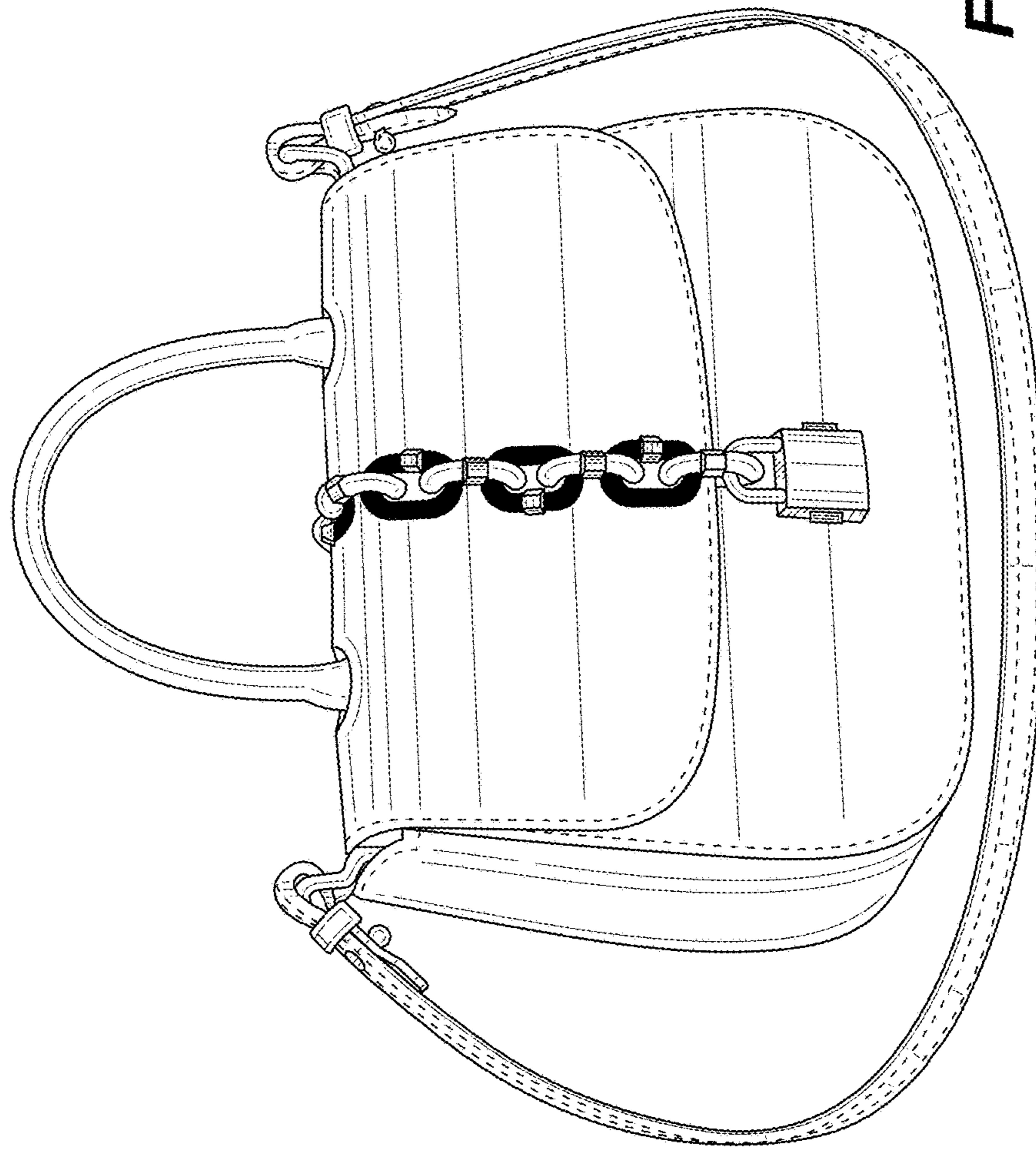


FIG. 1

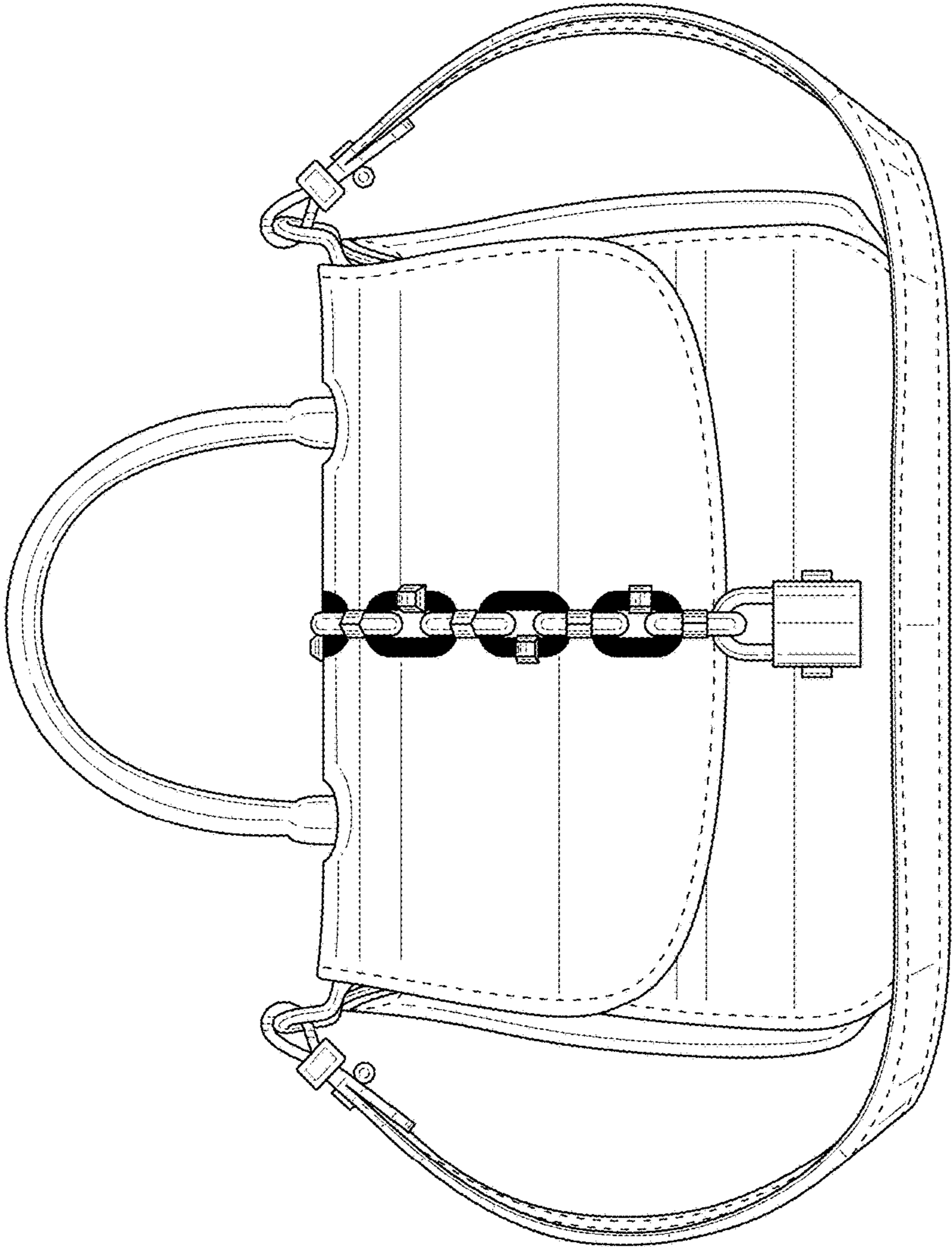


FIG. 2

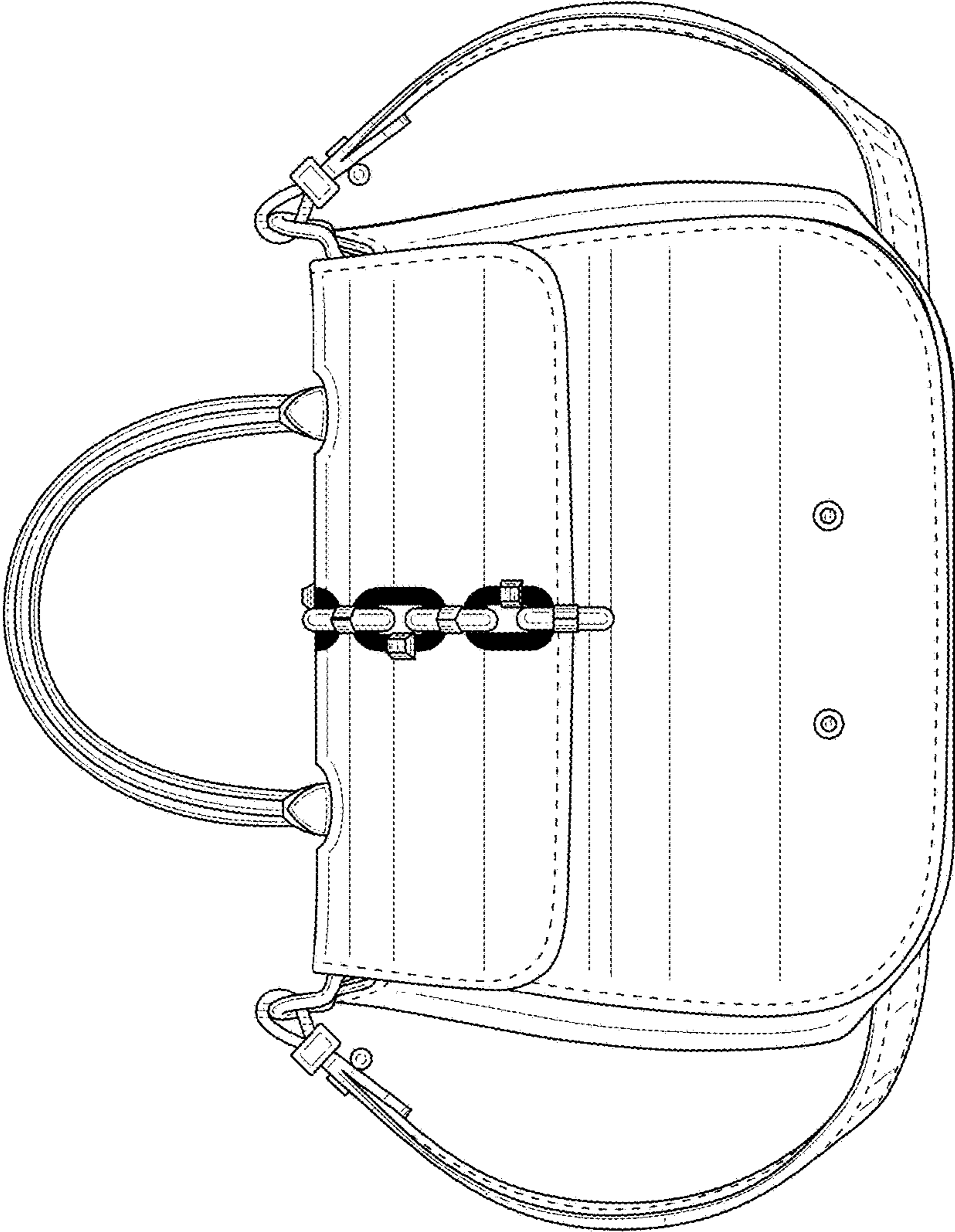


FIG. 3

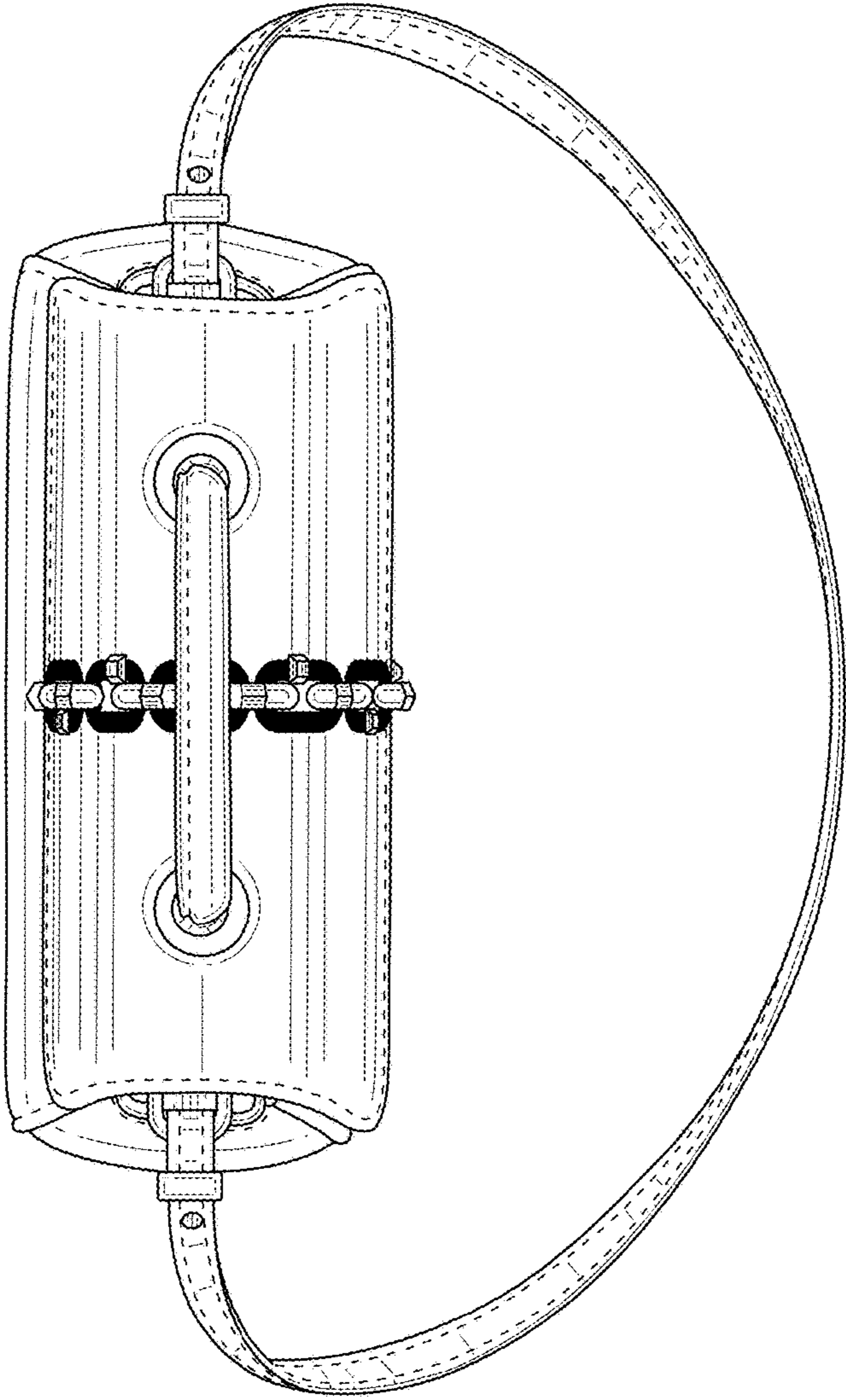


FIG. 4

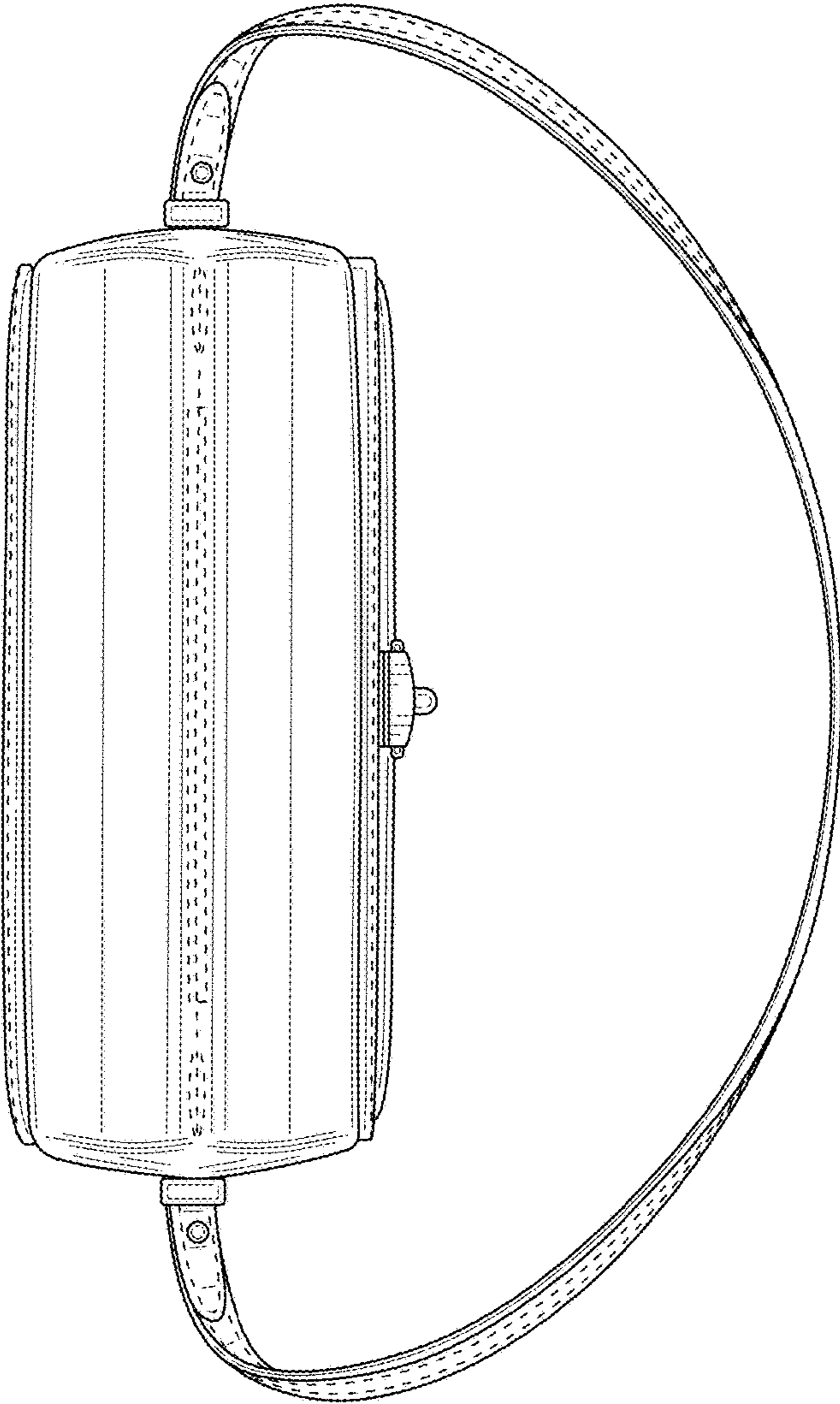


FIG. 5

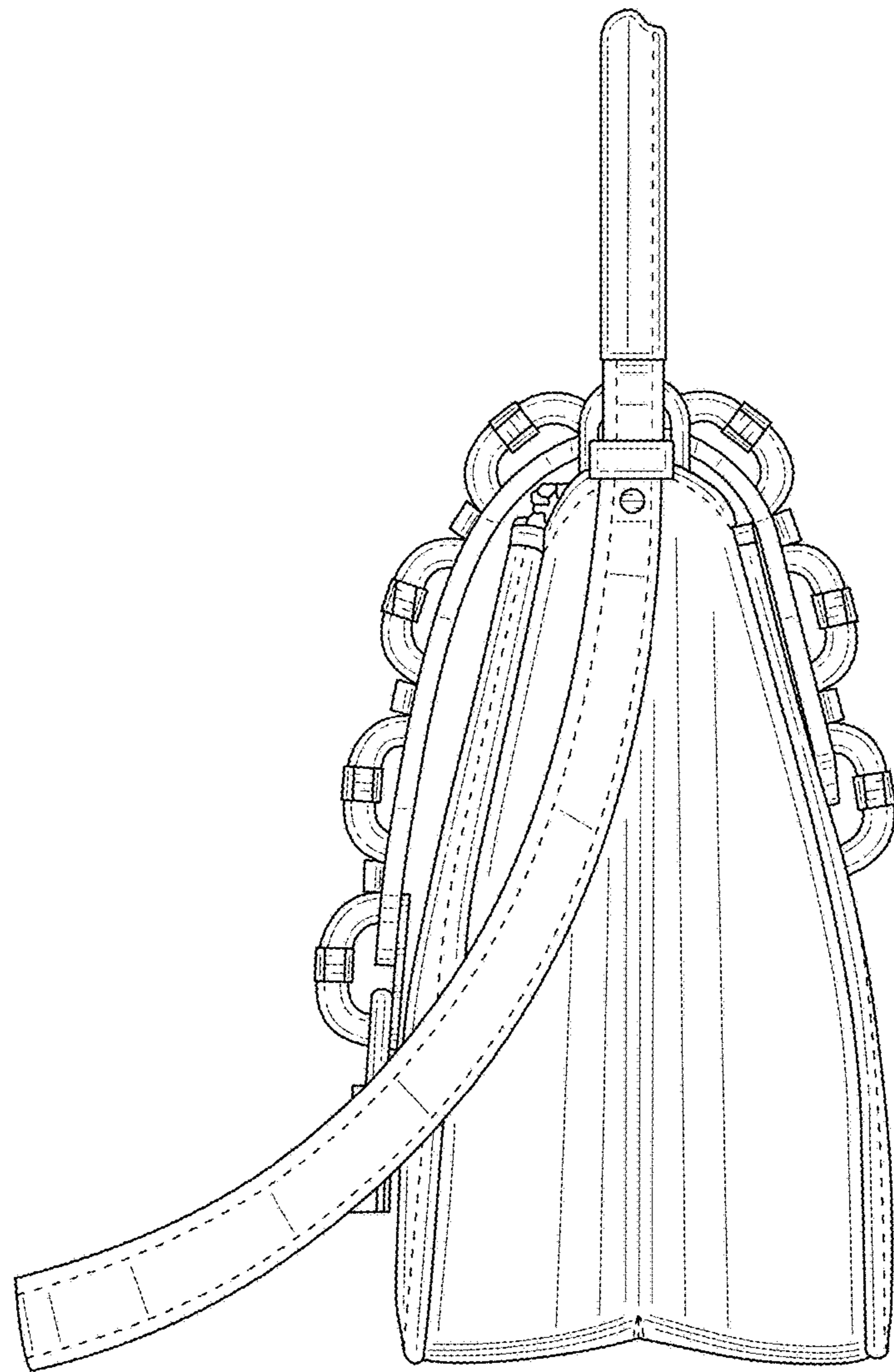


FIG. 6

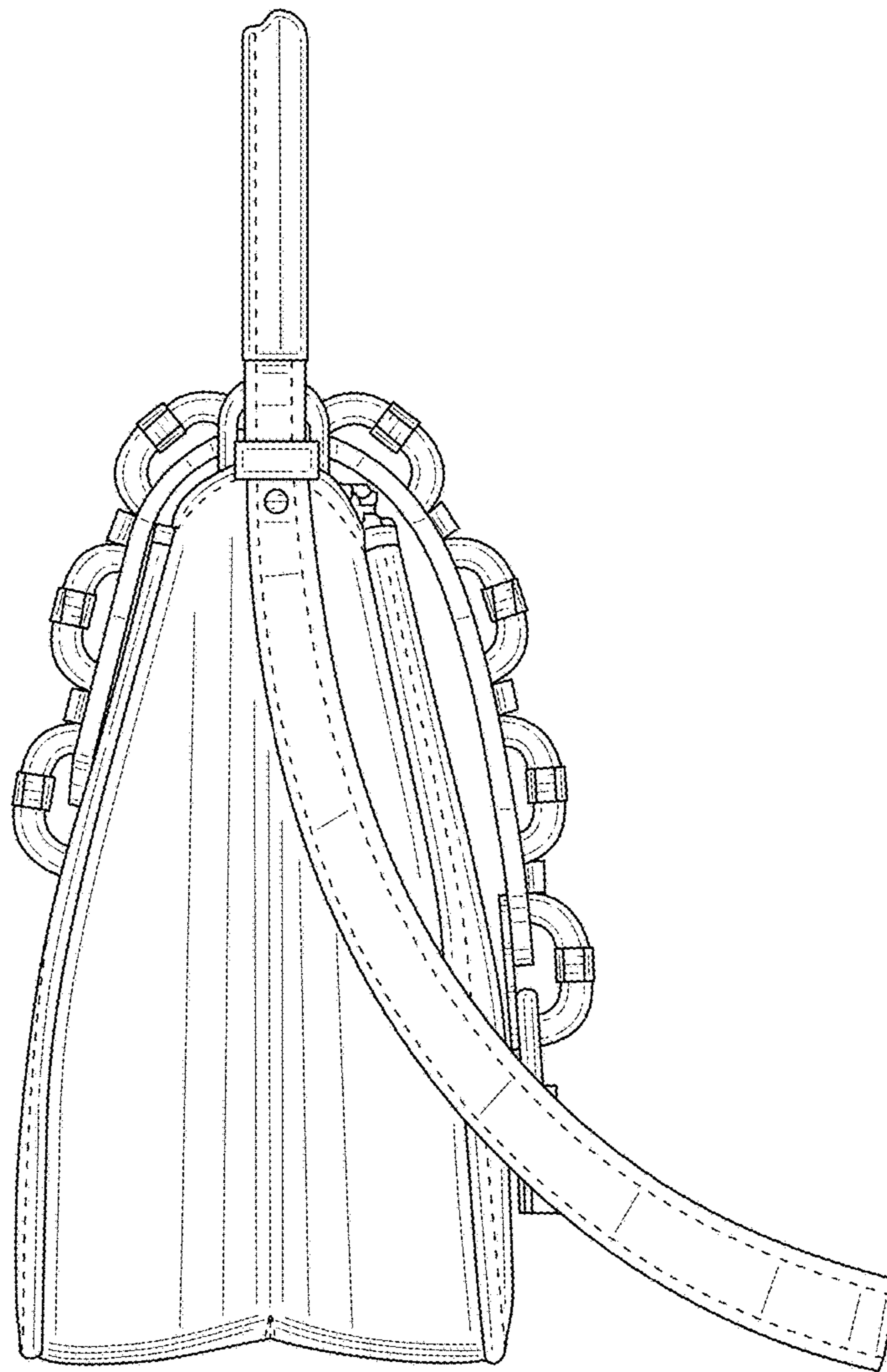


FIG. 7