



US00D855969S

(12) **United States Design Patent** (10) **Patent No.:** **US D855,969 S**  
**Jackson** (45) **Date of Patent:** **\*\* Aug. 13, 2019**

(54) **MULTI-NEEDLE THREADER**  
(71) Applicant: **Elizabeth Norris Jackson**, Houston, TX (US)  
(72) Inventor: **Elizabeth Norris Jackson**, Houston, TX (US)  
(\*\*) Term: **15 Years**  
(21) Appl. No.: **29/636,748**  
(22) Filed: **Feb. 11, 2018**

D298,866 S \* 12/1988 Reed ..... D28/10  
D306,795 S \* 3/1990 Akin ..... 223/106  
D333,559 S \* 3/1993 Rowley ..... D3/25  
D337,430 S \* 7/1993 Gaither ..... D3/23  
6,135,124 A \* 10/2000 Grant ..... A41G 5/0086  
132/201  
D450,442 S \* 11/2001 Leonard ..... D3/18  
D499,881 S \* 12/2004 Williams ..... D3/20  
7,159,728 B2 \* 1/2007 Smith ..... A45D 44/14  
211/115  
7,246,623 B2 \* 7/2007 Arroyo ..... A41G 5/0066  
132/201  
D555,833 S \* 11/2007 Stotts ..... D28/10  
7,328,709 B2 \* 2/2008 Smith ..... A41G 5/0066  
132/201  
D565,608 S \* 4/2008 Hirate ..... D15/72  
D573,787 S \* 7/2008 Sweet ..... D3/23

(Continued)

**Related U.S. Application Data**

(62) Division of application No. 29/560,342, filed on Apr. 5, 2016, now Pat. No. Des. 809,776.  
(51) **LOC (12) Cl.** ..... **02-07**  
(52) **U.S. Cl.**  
USPC ..... **D3/28; D28/10**  
(58) **Field of Classification Search**  
USPC ..... D3/18, 20, 21, 23, 24, 26, 28; D6/515, D6/518, 521; D28/10, 11  
CPC ..... A41G 3/0075; A01K 97/06; D05B 91/14; D05B 3/06  
See application file for complete search history.

*Primary Examiner* — John Windmuller

*Assistant Examiner* — Steven J Czyz

(74) *Attorney, Agent, or Firm* — Karen B. Tripp

(57) **CLAIM**

The ornamental design for a multi-needle threader, as shown and described.

**DESCRIPTION**

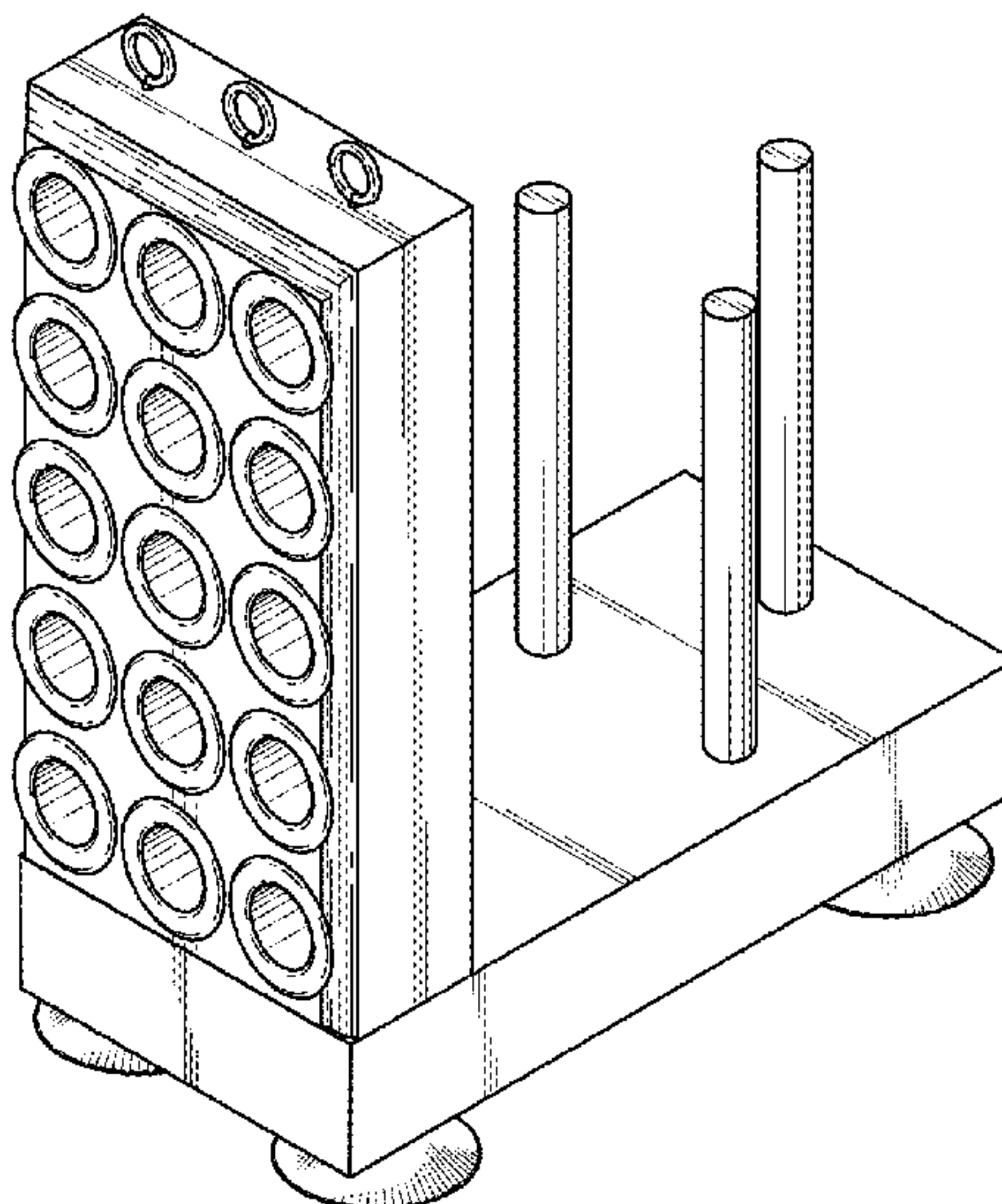
FIG. 1 is a front perspective view of a multi-needle threader of my new design.  
FIG. 2 is another front perspective view of the multi-needle threader shown with environment.  
FIG. 3 is a front view of the multi-needle threader.  
FIG. 4 is a rear view thereof.  
FIG. 5 is a left side view, with the right side being a mirror image thereof.  
FIG. 6 is a top view thereof; and,  
FIG. 7 is a bottom view thereof.  
The broken lines depict environment that forms no part of the claimed design.

(56) **References Cited**

**U.S. PATENT DOCUMENTS**

D41,860 S \* 10/1911 Mowrey et al. .... D3/24  
D46,078 S \* 7/1914 Wardwell et al. .... D3/24  
1,798,306 A \* 3/1931 Clark ..... D05B 87/00  
223/109 R  
1,865,931 A \* 7/1932 Longfellow ..... D05B 87/00  
223/99  
2,491,585 A \* 12/1949 Sammons ..... A47F 13/04  
242/130  
3,640,289 A \* 2/1972 Sbarra ..... A45D 19/0008  
132/212  
D270,745 S \* 9/1983 Voss ..... D3/224

**1 Claim, 3 Drawing Sheets**



(56)

**References Cited**

U.S. PATENT DOCUMENTS

7,469,701 B1 \* 12/2008 Bernard ..... A41G 5/006  
132/201  
D632,705 S \* 2/2011 Fujihara ..... D15/66  
8,336,559 B2 \* 12/2012 Kallabat ..... A41G 5/0066  
132/201  
9,033,196 B1 \* 5/2015 Smith ..... A41G 5/0086  
223/102  
D809,776 S \* 2/2018 Jackson ..... D3/28

\* cited by examiner

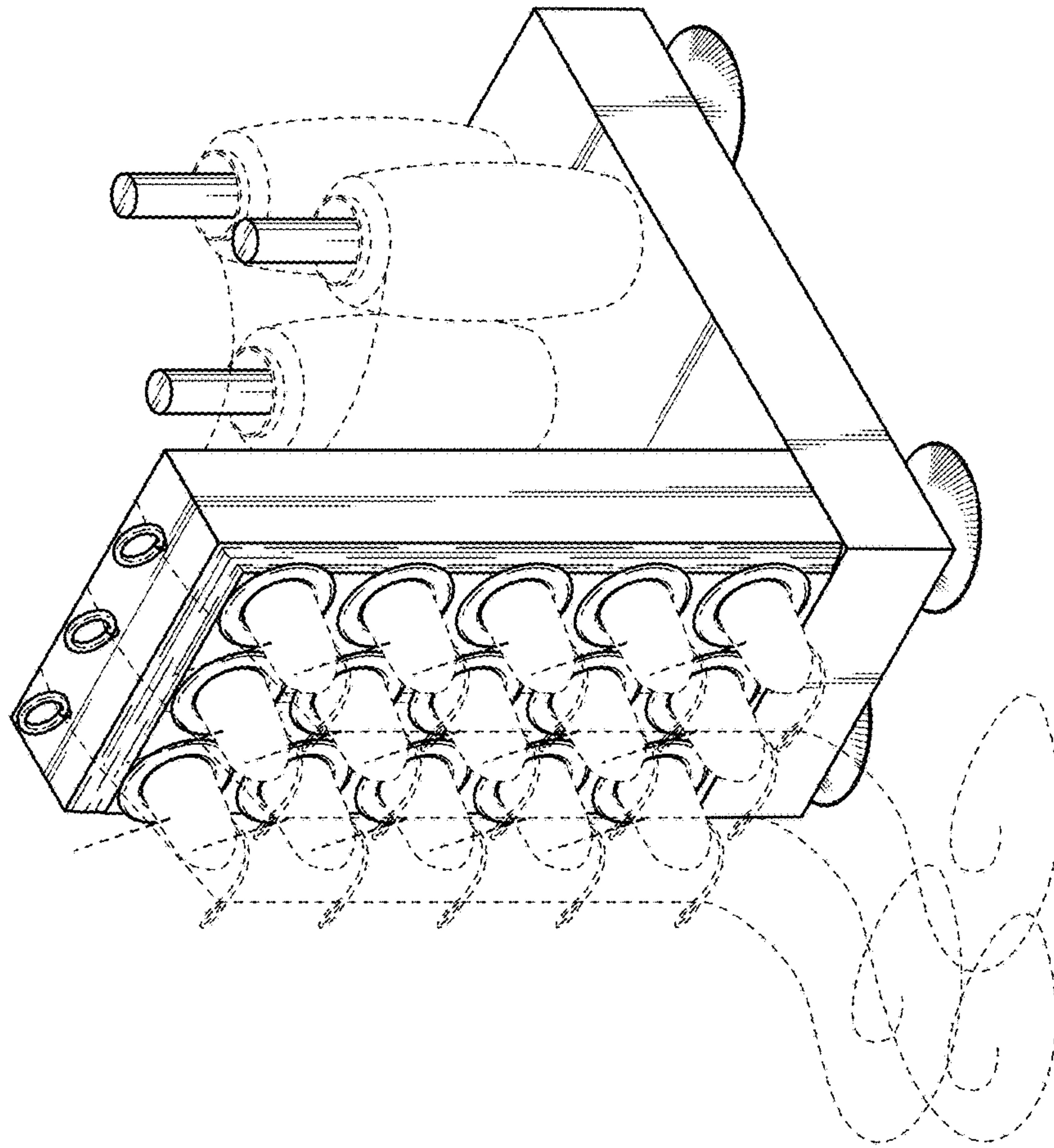


FIG. 2

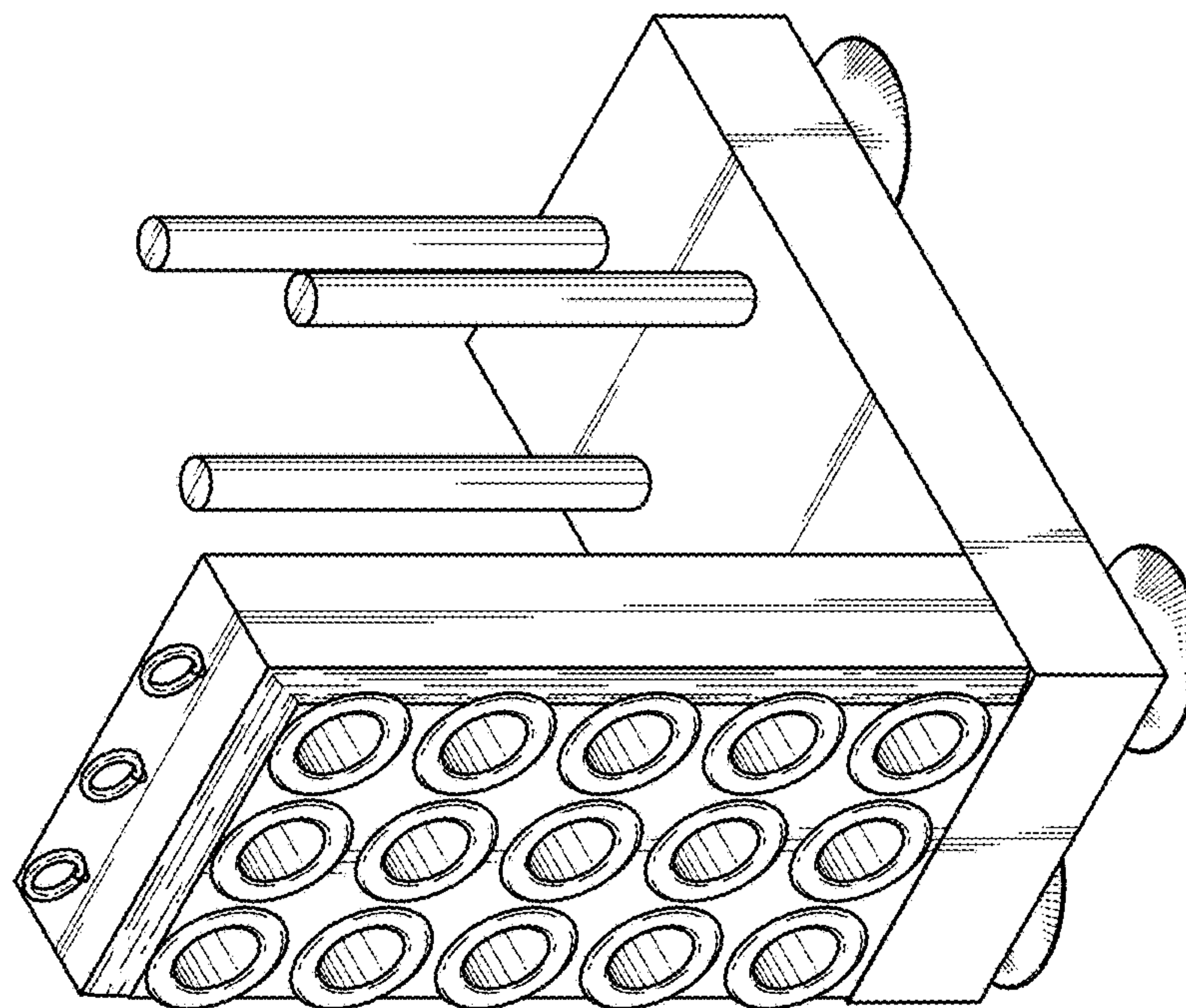


FIG. 1



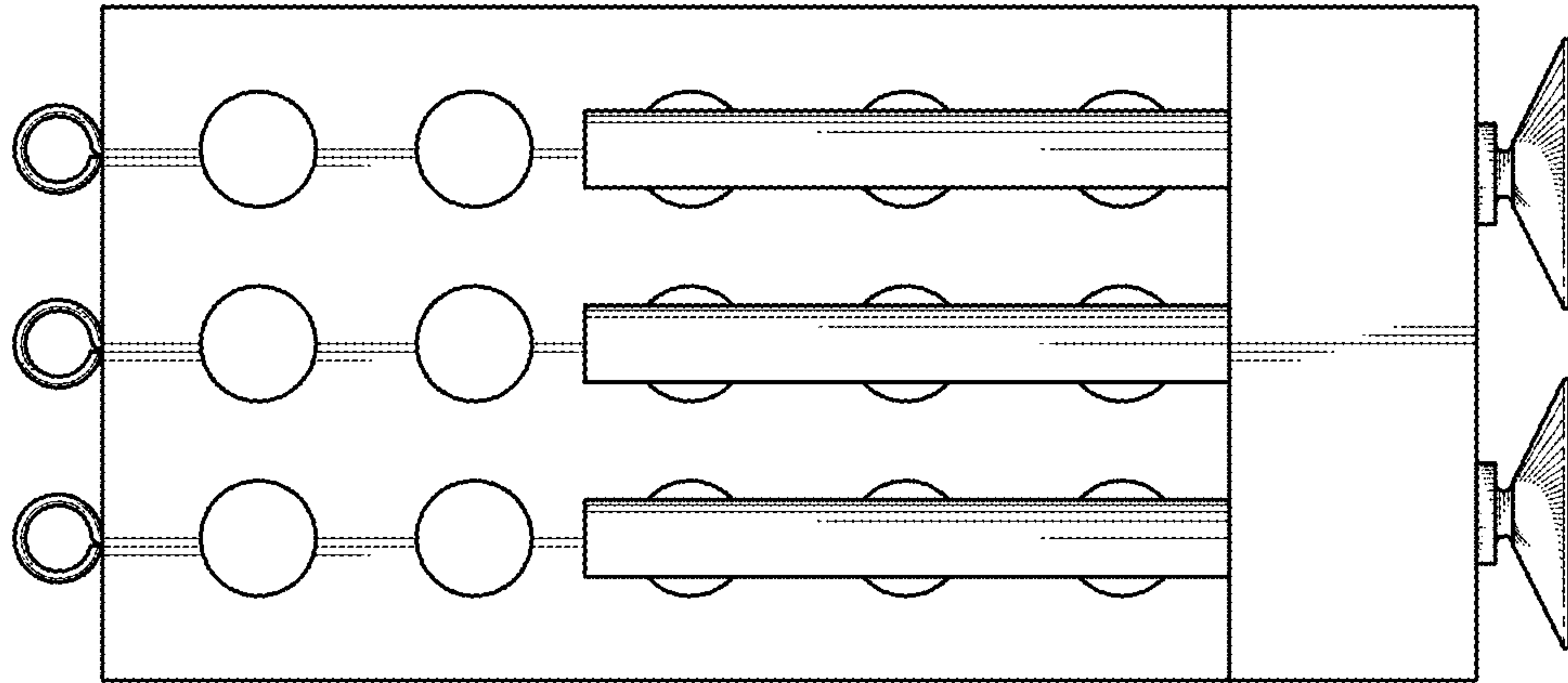


FIG. 4

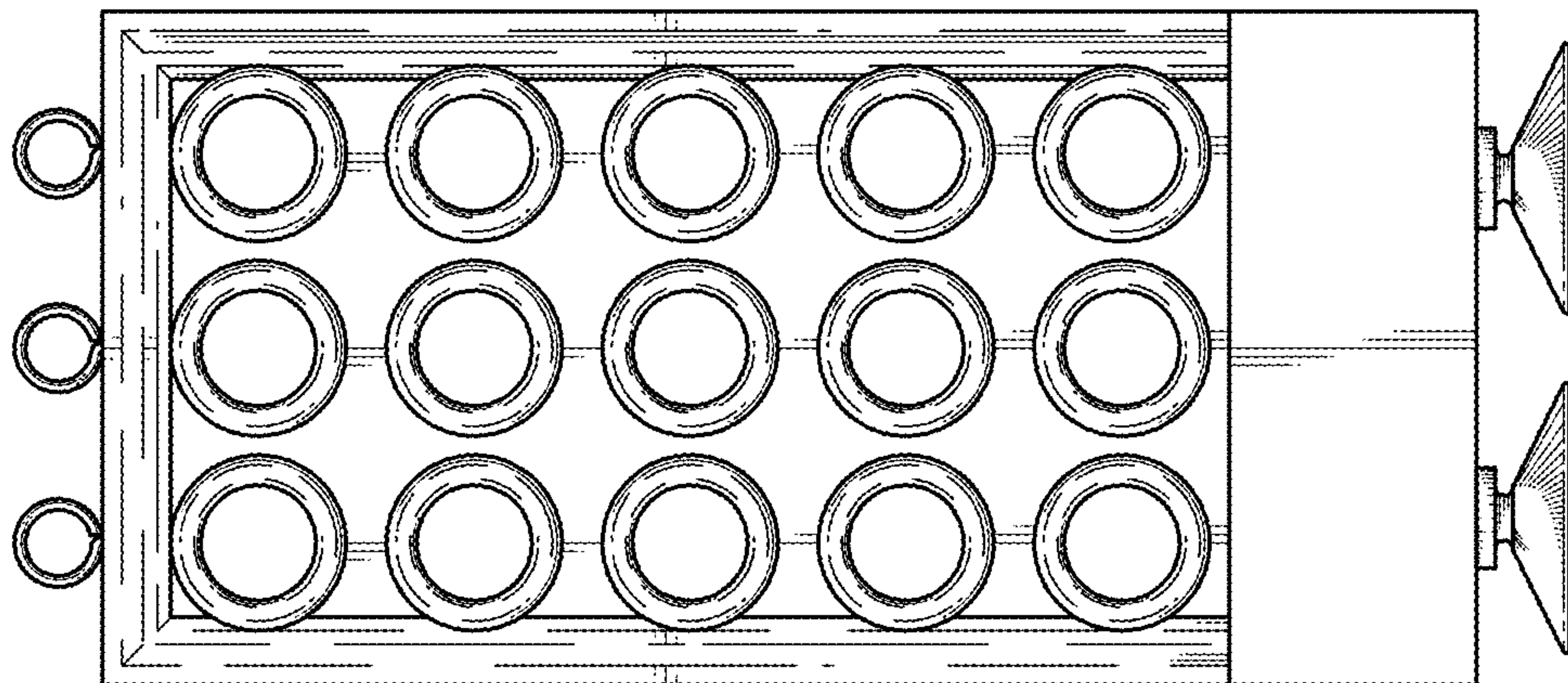


FIG. 3

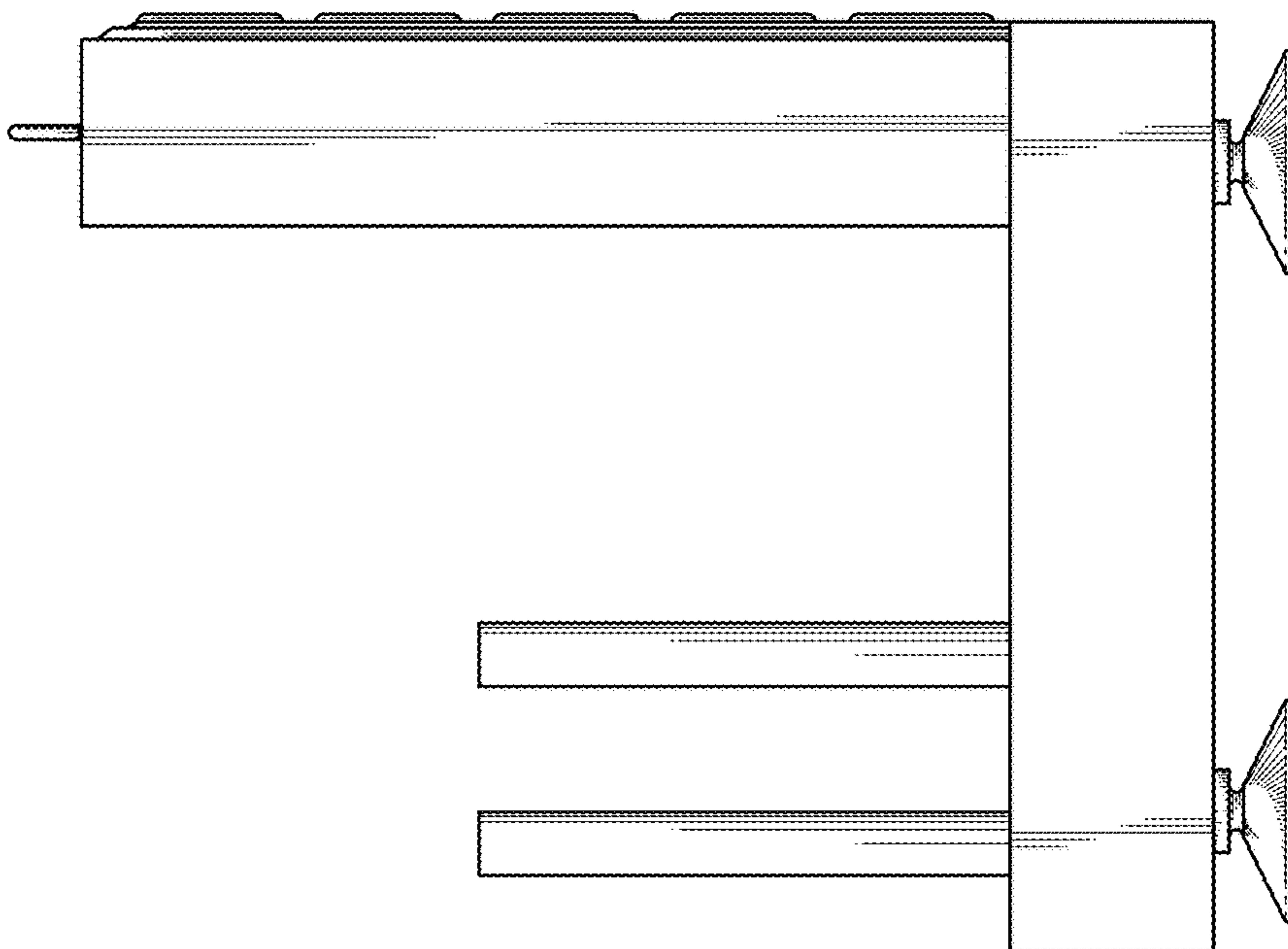


FIG. 5

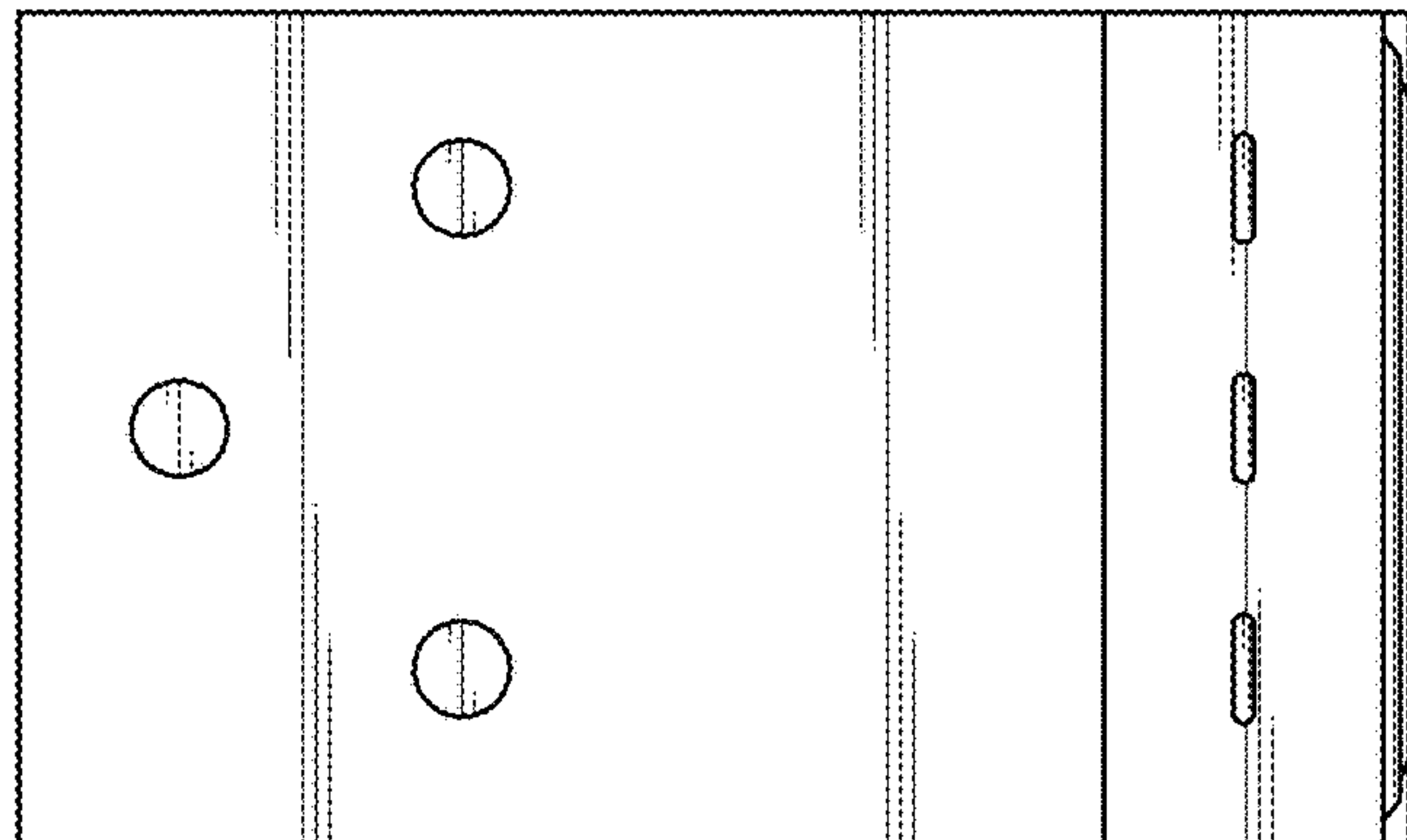


FIG. 6

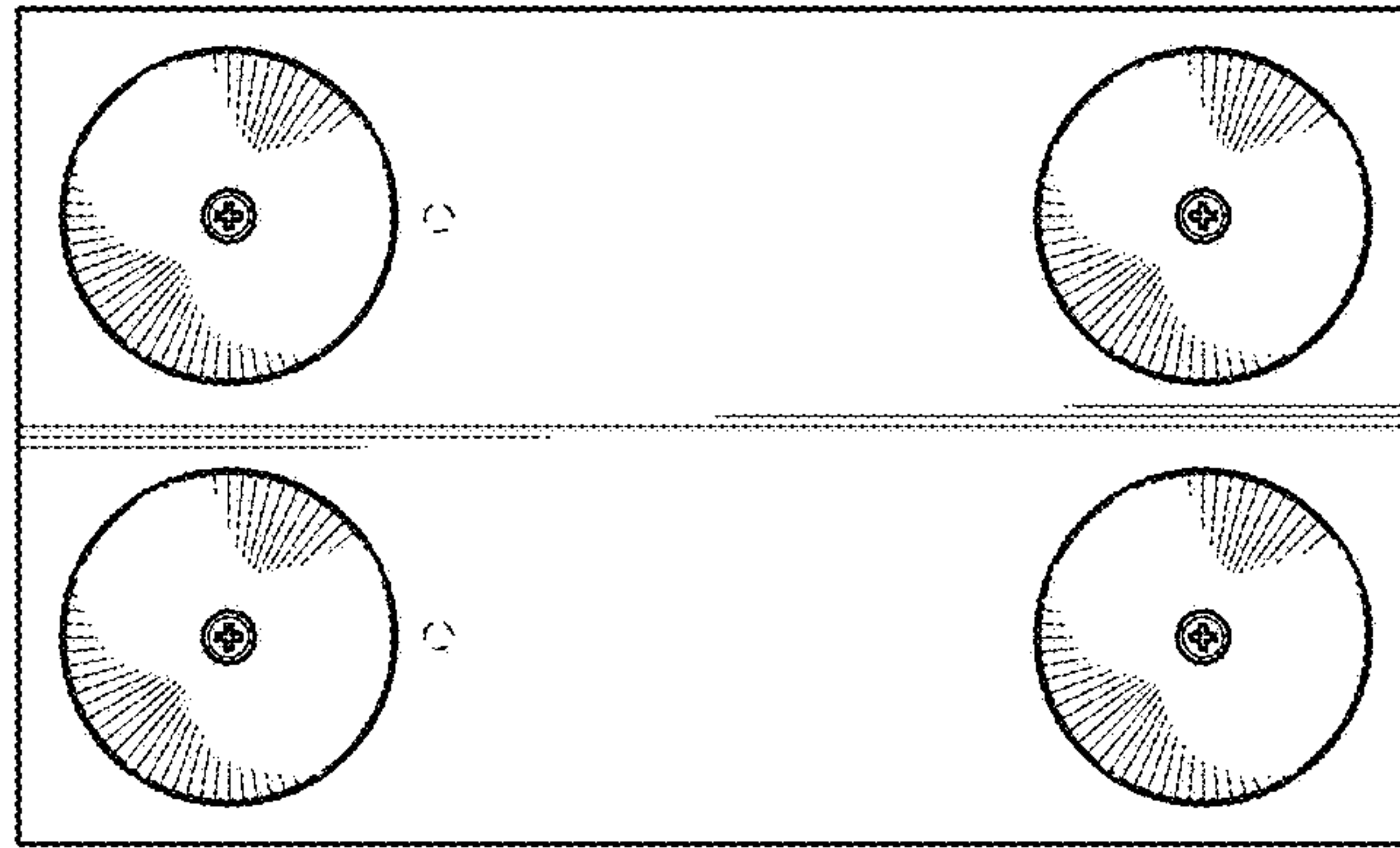


FIG. 7