



US00D855968S

(12) **United States Design Patent**
Hu

(10) **Patent No.:** **US D855,968 S**

(45) **Date of Patent:** **** Aug. 13, 2019**

(54) **UMBRELLA SAND ANCHOR**

(71) Applicant: **Jianfeng Hu**, Shangyu (CN)

(72) Inventor: **Jianfeng Hu**, Shangyu (CN)

(**) Term: **15 Years**

(21) Appl. No.: **29/658,221**

(22) Filed: **Jul. 30, 2018**

(51) **LOC (12) Cl.** **06-04**

(52) **U.S. Cl.**
USPC **D3/10; D21/840; D8/388**

(58) **Field of Classification Search**
USPC **D3/10, 12, 17; D8/388, 391; D21/840, D21/253-255; 135/97, 99, 123-126, 128, 135/139, 143, 156, 118, 900-902; 411/378, 395, 401; 248/156, 530, 533, 248/545**
CPC **A45B 23/00; E02D 27/42; E02D 5/801**
See application file for complete search history.

D416,401 S * 11/1999 Taylor D3/10
D421,532 S * 3/2000 Koroncai D8/388
6,032,880 A * 3/2000 Verrills E04H 12/2223
248/156
D433,224 S * 11/2000 Cochran, Jr. D3/10
6,199,569 B1 * 3/2001 Gibson E04H 12/2223
135/16
6,321,861 B1 * 11/2001 Leichter E04H 12/2223
135/99
D456,131 S * 4/2002 Dotson, Jr. D3/10
7,264,210 B2 * 9/2007 Yu A45F 3/44
135/16
7,520,485 B1 * 4/2009 Giannetto A01K 97/10
173/91
D593,315 S * 6/2009 Zemel D21/840
D625,508 S * 10/2010 Thurrott D3/10
D630,834 S * 1/2011 Cohen D3/10
8,191,562 B1 * 6/2012 Sampson A45B 19/04
135/118
8,444,105 B2 * 5/2013 Silvestri E04H 12/2215
248/156
D727,010 S * 4/2015 Greto D3/10
D735,468 S * 8/2015 Goldszer D3/17

(Continued)

Primary Examiner — Mark A Goodwin

(56) **References Cited**

U.S. PATENT DOCUMENTS

2,441,109 A * 5/1948 Carlson E04H 12/2223
248/156
5,088,681 A * 2/1992 Procaccianti E04H 12/2223
248/156
D347,948 S * 6/1994 McKnight D3/10
5,396,916 A * 3/1995 Boissonnault A45B 7/005
135/16
5,457,918 A * 10/1995 Plourde E04H 12/2223
248/545
5,482,246 A * 1/1996 Derkoski E02D 5/801
248/156
D394,544 S * 5/1998 Tropiano D3/10
D398,363 S * 9/1998 LoBue D21/840
D402,803 S * 12/1998 Goldberg D3/12
5,906,077 A * 5/1999 Andiarena E04H 12/2223
135/118

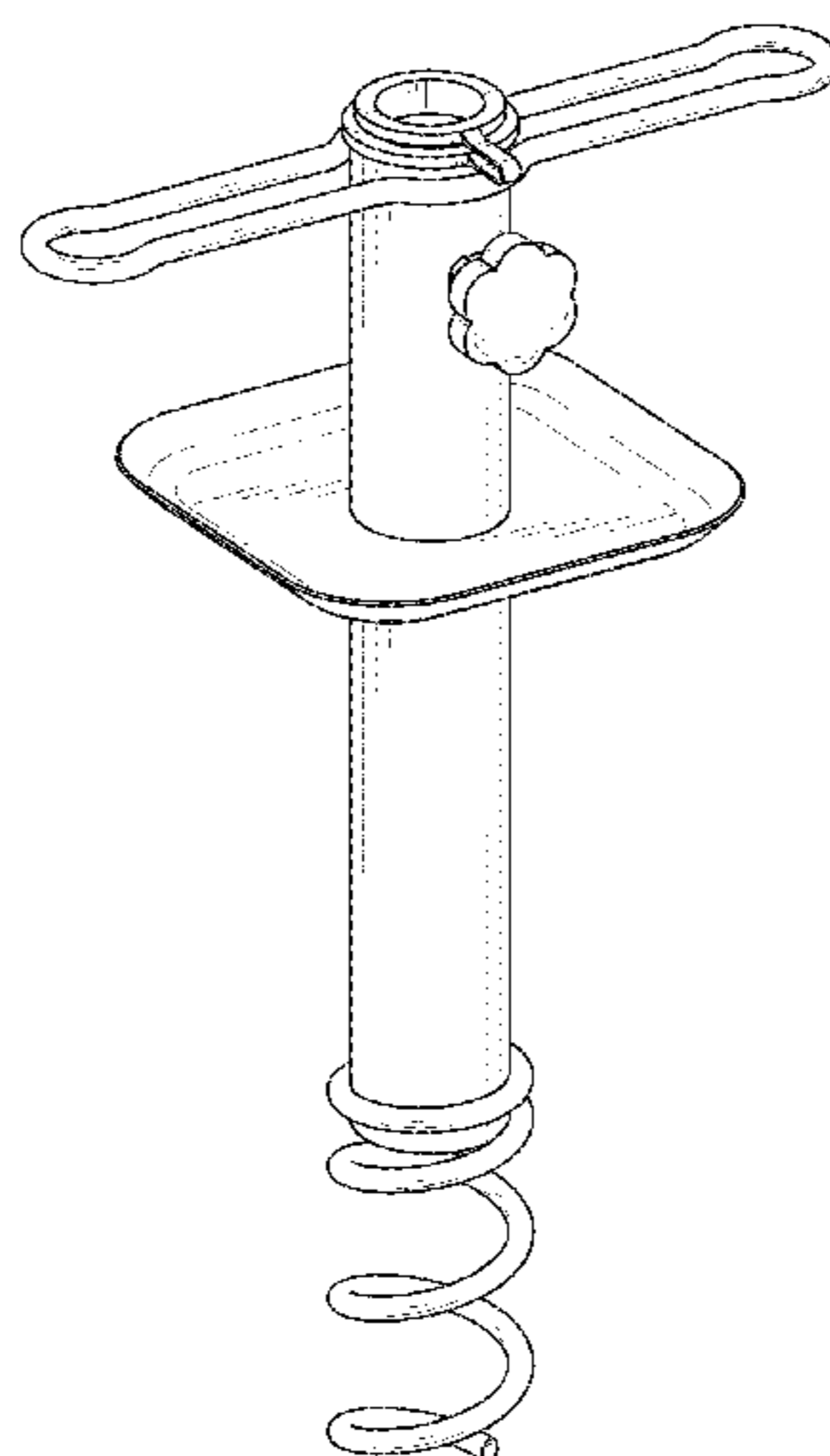
(57) **CLAIM**

The ornamental design for an umbrella sand anchor, as shown and described.

DESCRIPTION

FIG. 1 is a first perspective view of an umbrella sand anchor showing the claimed new design;
FIG. 2 is a second perspective view thereof;
FIG. 3 is a front elevational view thereof;
FIG. 4 is a rear elevational view thereof;
FIG. 5 is a left side elevational view thereof;
FIG. 6 is a right side elevational view thereof;
FIG. 7 is a top plan view thereof; and,
FIG. 8 is a bottom plan view thereof.

1 Claim, 8 Drawing Sheets



(56)

References Cited

U.S. PATENT DOCUMENTS

D738,102 S * 9/2015 Goldszer D3/17
9,890,551 B1 * 2/2018 Delao E04H 12/2215
2004/0138704 A1 * 7/2004 Gambale A61B 17/0469
606/213
2010/0200724 A1 * 8/2010 Kukuk A45B 25/00
248/530
2012/0126089 A1 * 5/2012 Silvestri E04H 12/2215
248/530
2014/0007487 A1 * 1/2014 Schwiebert E04H 12/2238
43/21.2
2015/0320161 A1 * 11/2015 Perry A45B 25/00
248/533
2016/0192748 A1 * 7/2016 McQuaid A45B 25/22
135/27
2018/0106062 A1 * 4/2018 Brady E04H 12/2215
2018/0128004 A1 * 5/2018 Washko E04H 12/2246
2018/0195311 A1 * 7/2018 Prunotto A45B 11/00
2019/0053588 A1 * 2/2019 Price A45B 19/04

* cited by examiner

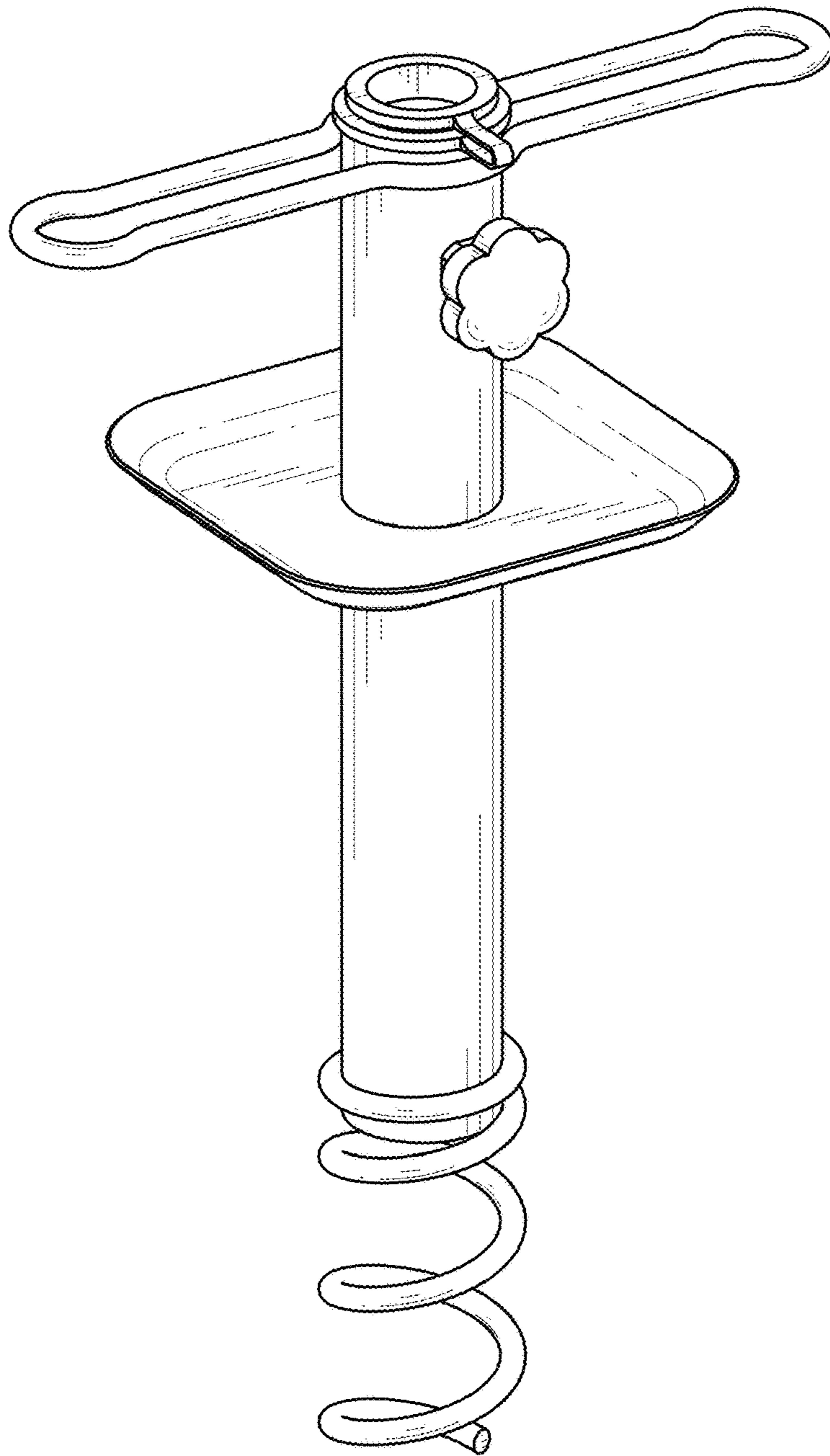


FIG. 1

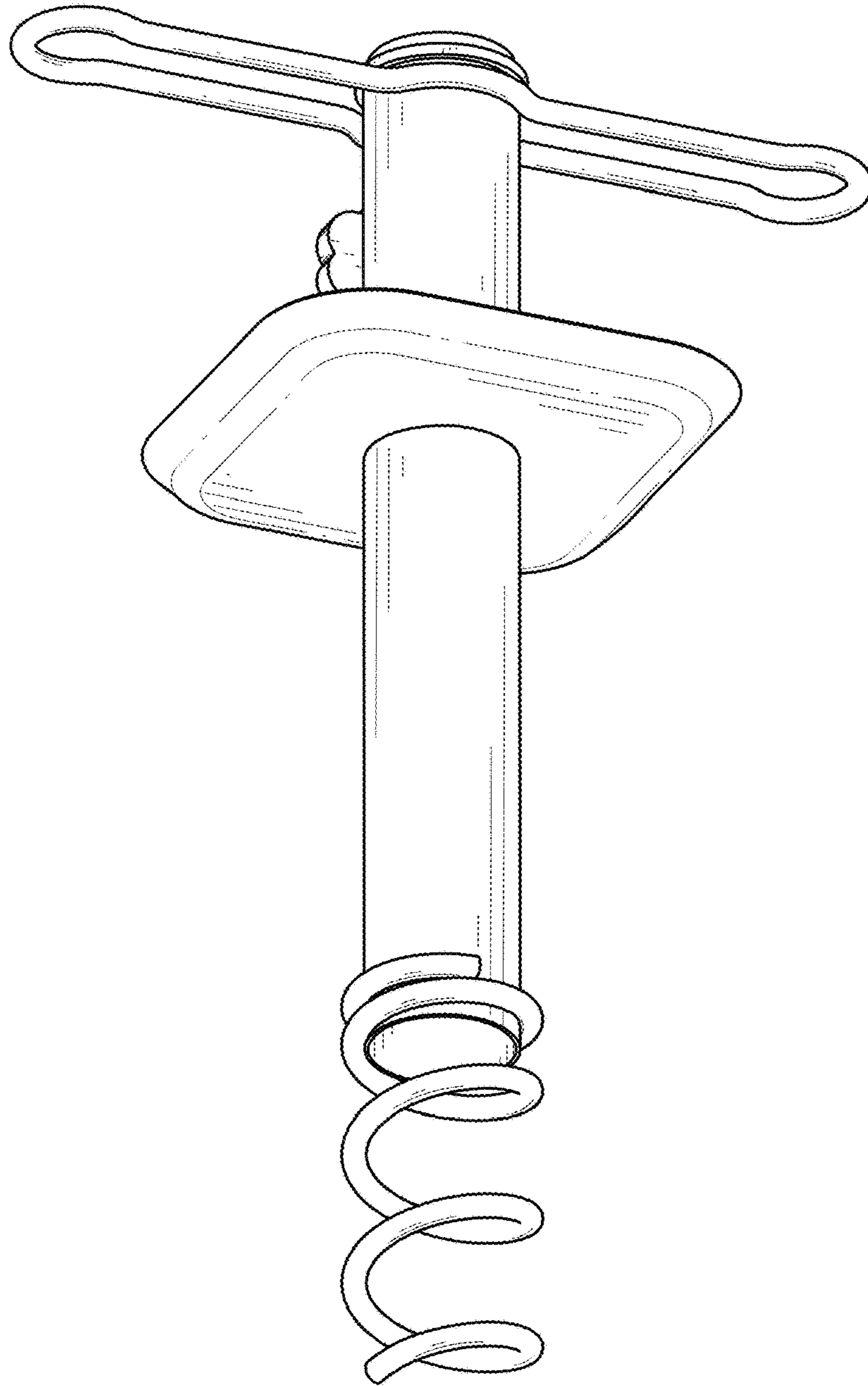


FIG. 2

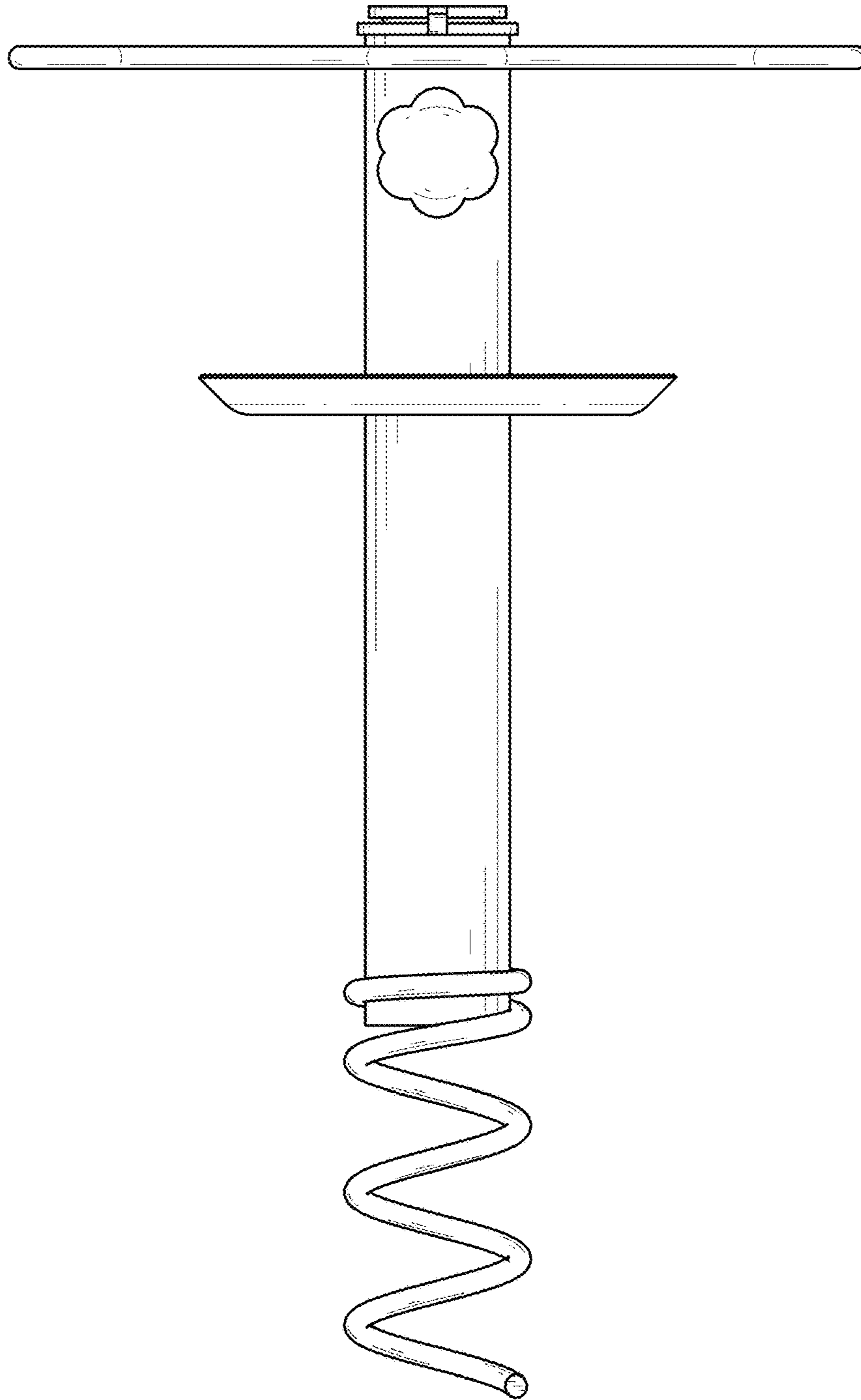


FIG. 3

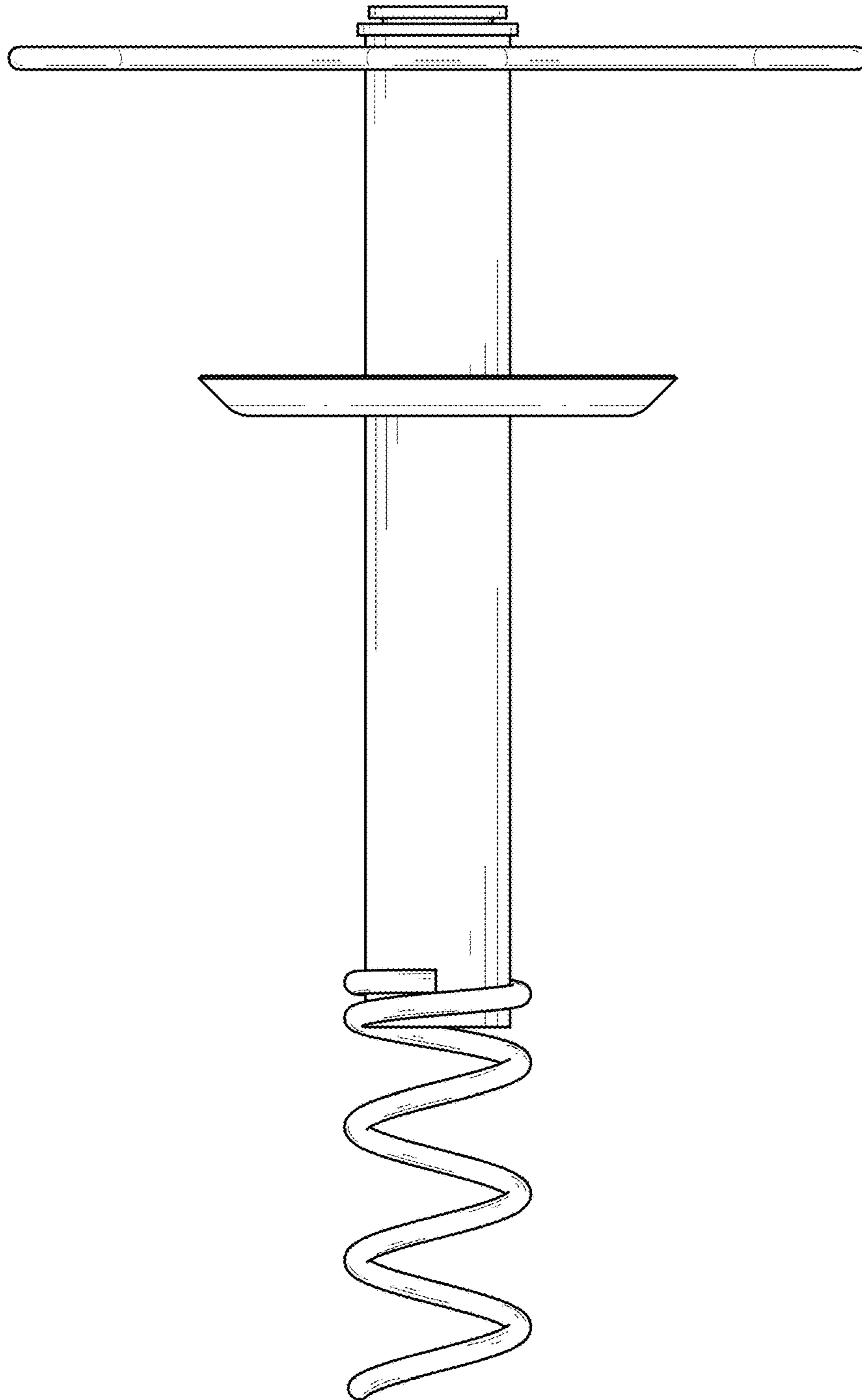


FIG. 4

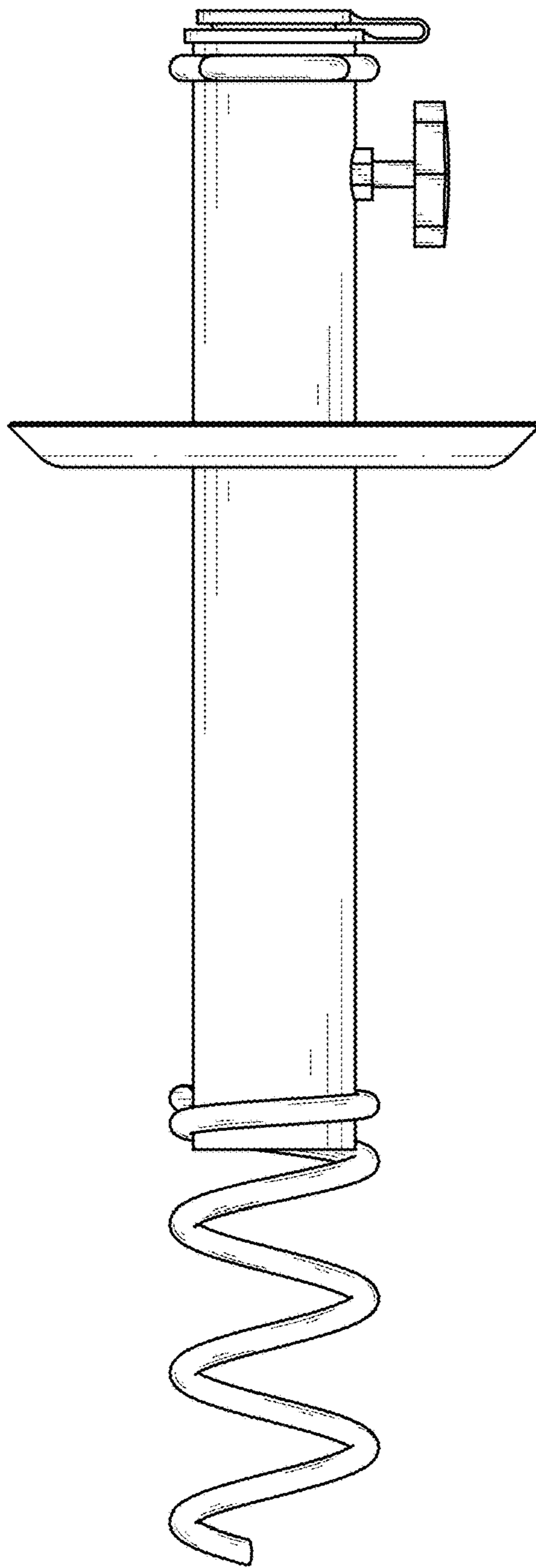


FIG. 5

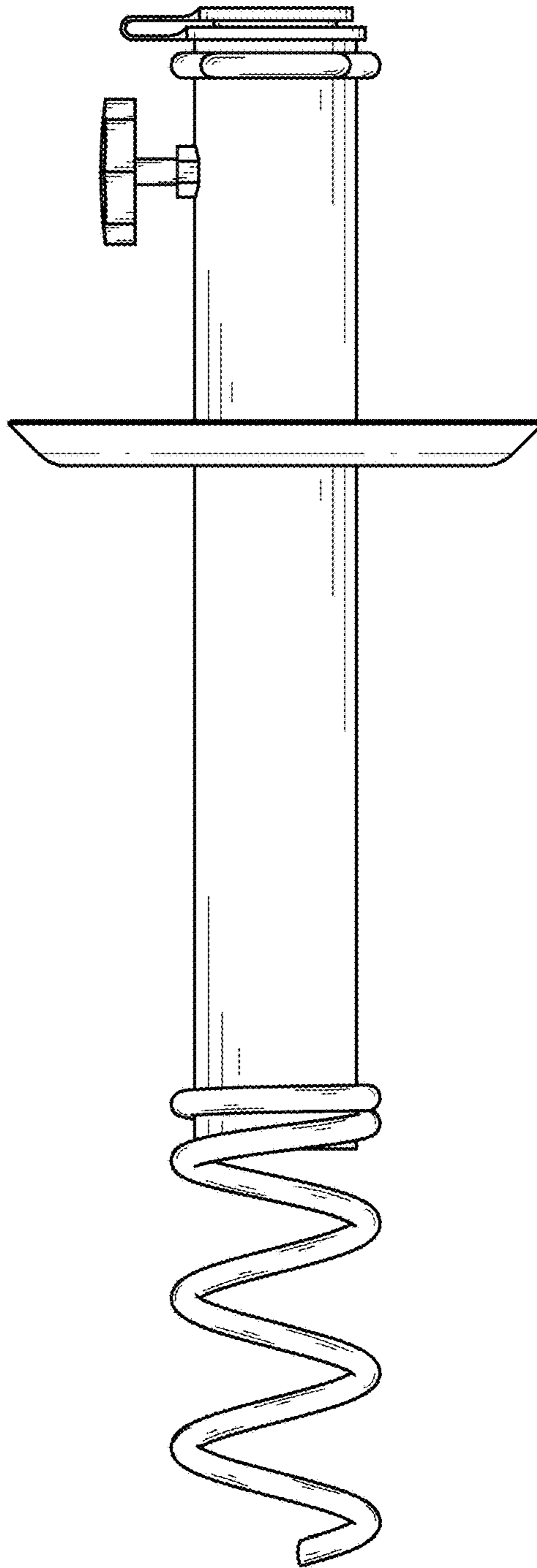


FIG. 6

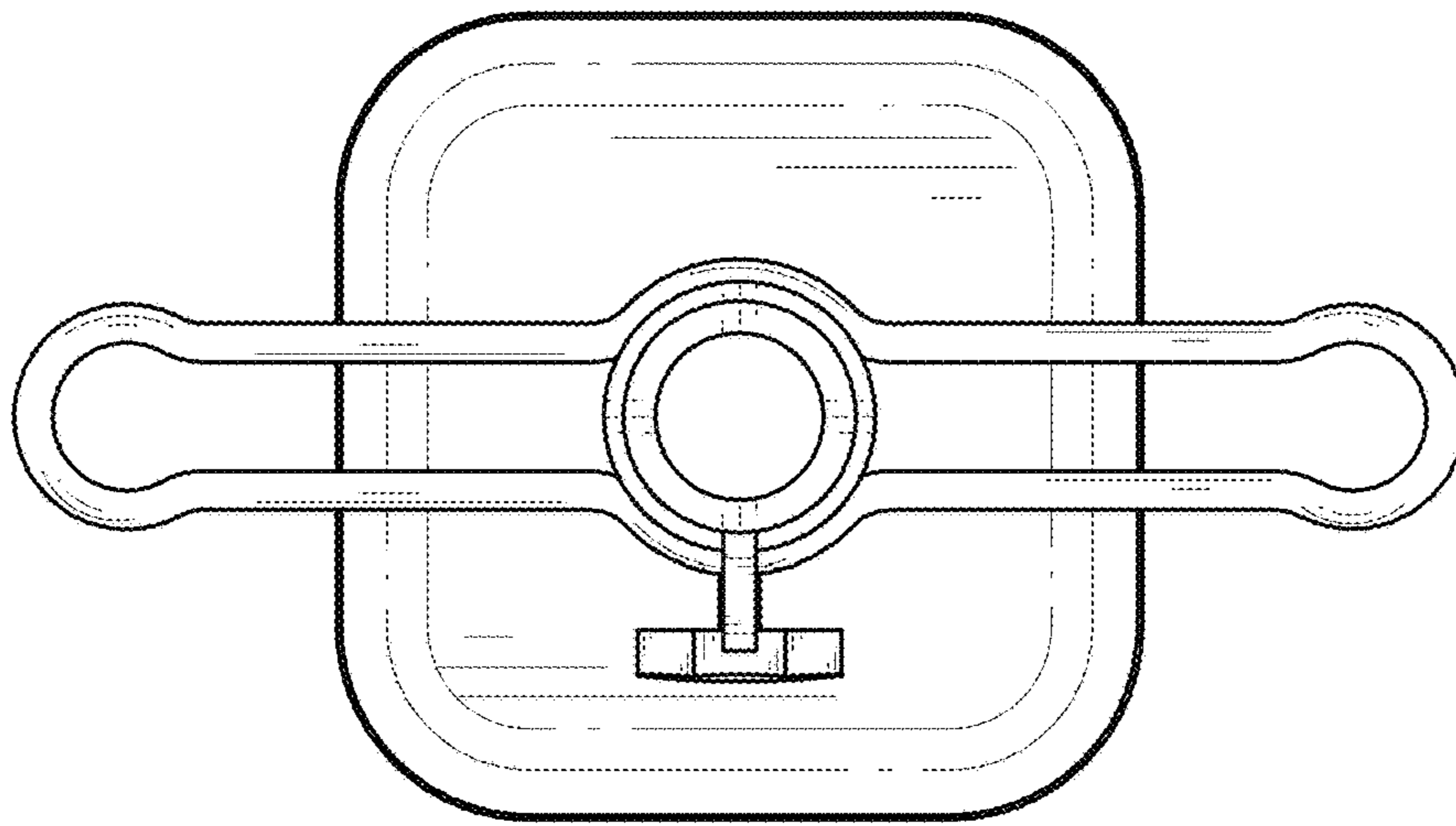


FIG. 7

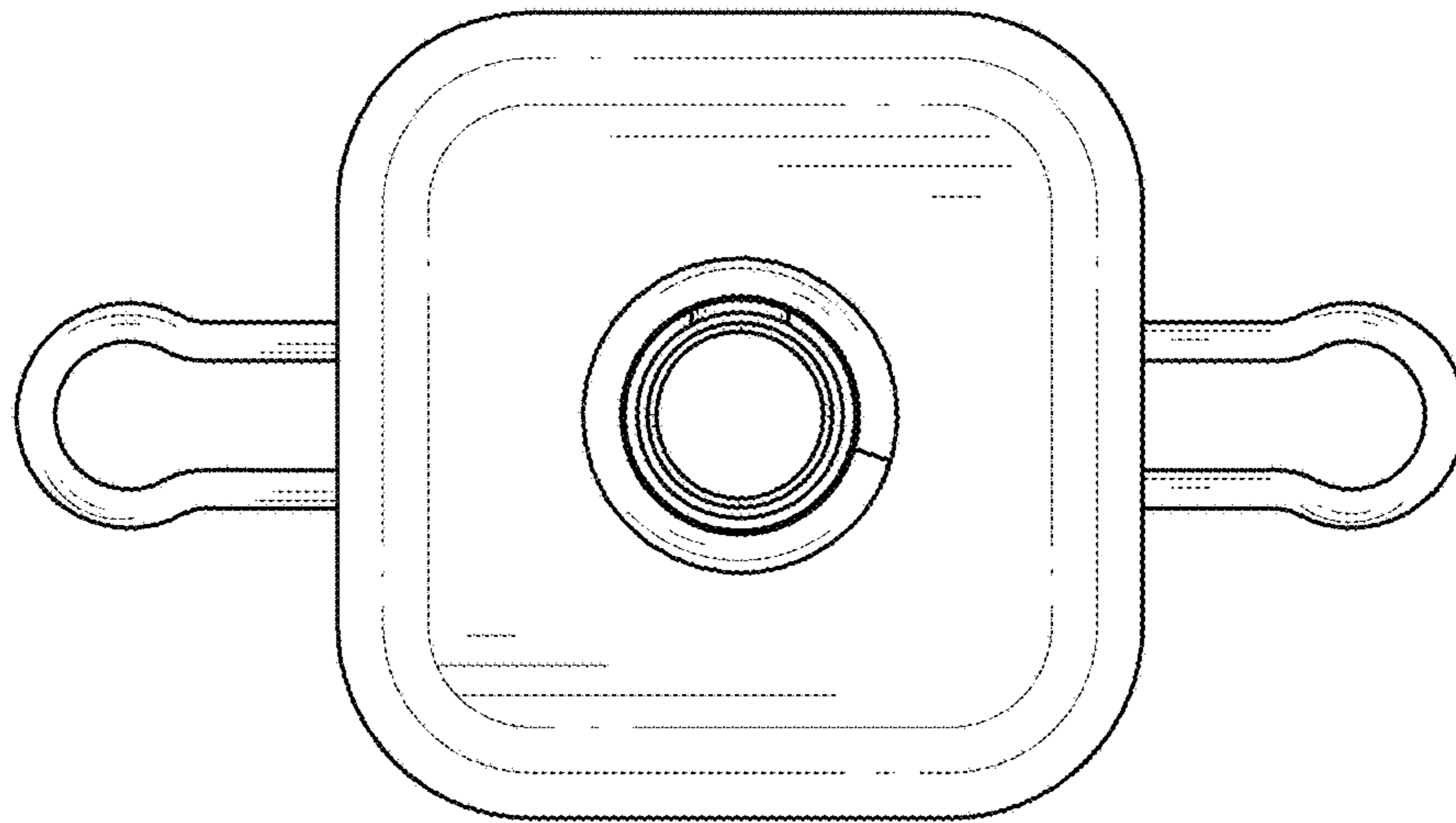


FIG. 8