



US00D855957S

(12) **United States Design Patent** (10) **Patent No.:** **US D855,957 S**
Evans (45) **Date of Patent:** **** Aug. 13, 2019**

(54) **COMBINED FOOTWEAR SOLE**

FOREIGN PATENT DOCUMENTS

(71) Applicant: **Airwair International Ltd.**, Wollaston,
Northamptonshire (GB)

EP 2198729 * 6/2010 A43B 13/10

(72) Inventor: **Thomas Evans**, London (GB)

OTHER PUBLICATIONS

(73) Assignee: **AIRWAIR INTL. LTD.**,
Northamptonshire (GB)

1460 Slip Resistant, DrMartens.com, [online], [site visited Sep. 5,
2018]. <URL: https://www.drmartens.com/us/en/p/24382001> (Year:
2018).*

(**) Term: **15 Years**

(Continued)

(21) Appl. No.: **29/604,197**

Primary Examiner — T Chase Nelson

Assistant Examiner — Jonathan J. Han

(22) Filed: **May 16, 2017**

(74) *Attorney, Agent, or Firm* — Bryan Cave Leighton
Paisner LLP

(51) **LOC (12) Cl.** **02-04**

(52) **U.S. Cl.**
USPC **D2/959**; D2/947; D2/951; D2/953;
D2/956; D2/957

(57) **CLAIM**

(58) **Field of Classification Search**
USPC D2/902, 906, 908, 916, 918, 925,
D2/946–962, 977; 36/1, 1.5, 3 B, 22 R,
36/24.5, 25 R, 28, 32 R, 34 R, 59 C,
36/67 A, 101–107, 114–116, 117.3, 117.4,
36/124–136; D12/544

The ornamental design for a combined footwear sole, as
shown and described.

CPC A43B 13/00; A43B 13/02; A43B 13/023;
A43B 13/026; A43B 13/04; A43B 13/08;
A43B 13/10; A43B 13/12; A43B 13/14;
A43B 13/141; A43B 13/143; A43B
13/16; A43B 13/18; A43B 13/181; A43B
13/187; A43B 13/189; A43B 13/20; A43B
13/22; A43B 13/223; A43B 13/24; A43B
13/28; A43B 13/30; A43B 13/32; A43B
13/34; A43B 13/36

DESCRIPTION

See application file for complete search history.

FIG. 1 is a front bottom perspective view of a combined
footwear sole;
FIG. 2 is a rear bottom perspective view thereof;
FIG. 3 is a front top perspective view thereof;
FIG. 4 is a front view thereof;
FIG. 5 is a rear view thereof;
FIG. 6 is a bottom plan view thereof;
FIG. 7 is a top plan view thereof;
FIG. 8 is a right view thereof;
FIG. 9 is a left view thereof;
FIG. 10 is an exploded view thereof from a bottom perspec-
tive; and,
FIG. 11 is an exploded view thereof from a top perspective.
The broken lines shown in the figures are for the purpose of
illustrating unclaimed portions of the invention and bound-
aries only and form no part of the claimed design.

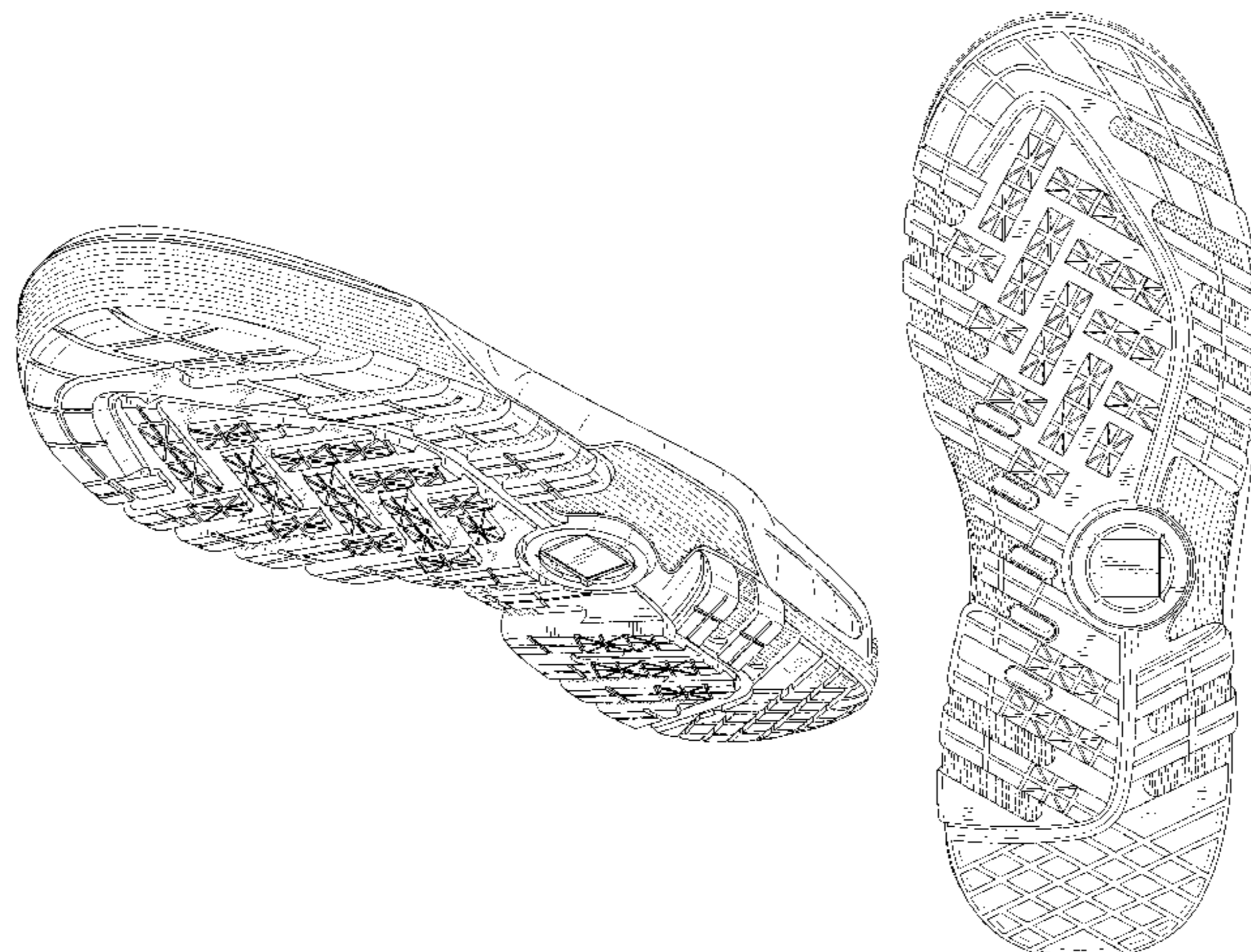
(56) **References Cited**

U.S. PATENT DOCUMENTS

1,111,437 A * 9/1914 Butterfield A43B 7/125
36/14
D200,846 S * 4/1965 Bovay D2/908
D329,130 S * 9/1992 Yoon D2/954
D394,342 S * 5/1998 Schneider D2/959

(Continued)

1 Claim, 9 Drawing Sheets



(56)

References Cited

U.S. PATENT DOCUMENTS

D404,901 S * 2/1999 Blakeslee D2/951
 D410,138 S * 5/1999 Turner D2/951
 D415,609 S * 10/1999 Hlavacs D2/951
 D427,758 S * 7/2000 Schneider D2/951
 D431,894 S * 10/2000 Begg, II D2/957
 D433,214 S * 11/2000 McDowell D2/947
 D471,696 S * 3/2003 Recchi D2/953
 D474,586 S * 5/2003 Recchi D2/951
 D485,974 S * 2/2004 Zimmer D2/951
 D489,881 S * 5/2004 Recchi D2/857
 D523,215 S * 6/2006 Drazic D2/951
 D527,172 S * 8/2006 Burg D2/953
 D530,492 S * 10/2006 McClaskie D2/957
 D531,789 S * 11/2006 Kohastu D2/959
 D550,436 S * 9/2007 Matis D2/953
 D634,923 S * 3/2011 Lacey D2/951
 D638,616 S * 5/2011 Gibson D2/951
 D646,873 S * 10/2011 Mermet D2/951
 D655,902 S * 3/2012 Debiase D2/951
 D697,296 S * 1/2014 Loyley D2/951
 D713,135 S * 9/2014 Tucker D2/951

D724,296 S * 3/2015 Law D2/951
 D735,453 S * 8/2015 Monroy D2/951
 D787,169 S * 5/2017 Sassi D2/947
 D797,423 S * 9/2017 Bischoff D2/951
 D797,425 S * 9/2017 Wegener D2/951
 D802,899 S * 11/2017 Bischoff D2/957
 D806,373 S * 1/2018 McDonald D2/957

OTHER PUBLICATIONS

Irish Setter Vaprtrek Boots Review, GearAssistant.com, Jun. 17, 2017, [online], [site visited Sep. 5, 2018]. <URL: <https://www.gearassistant.com/irish-setter-vaprtrek-boots-review/>> (Year: 2017).*

Salomon Quest 4D GTX: Lightweight Hiking Boots with Heavy Duty Grip, GearForLife.com, [online], [site visited Sep. 5, 2018]. <URL: <https://gearforlife.com/salomon-quest-4d-gtx-hiking-boots/>> (Year: 2018).*

Vivobarefoot Minimalist Barefoot Hiking Boots, SectionHiker.com, Phillip Werner, Nov. 25, 2011, [online], [site visited Sep. 5, 2018]. <URL: <https://sectionhiker.com/vivobarefoot-minimalist-barefoot-hiking-boots/>> (Year: 2011).*

* cited by examiner

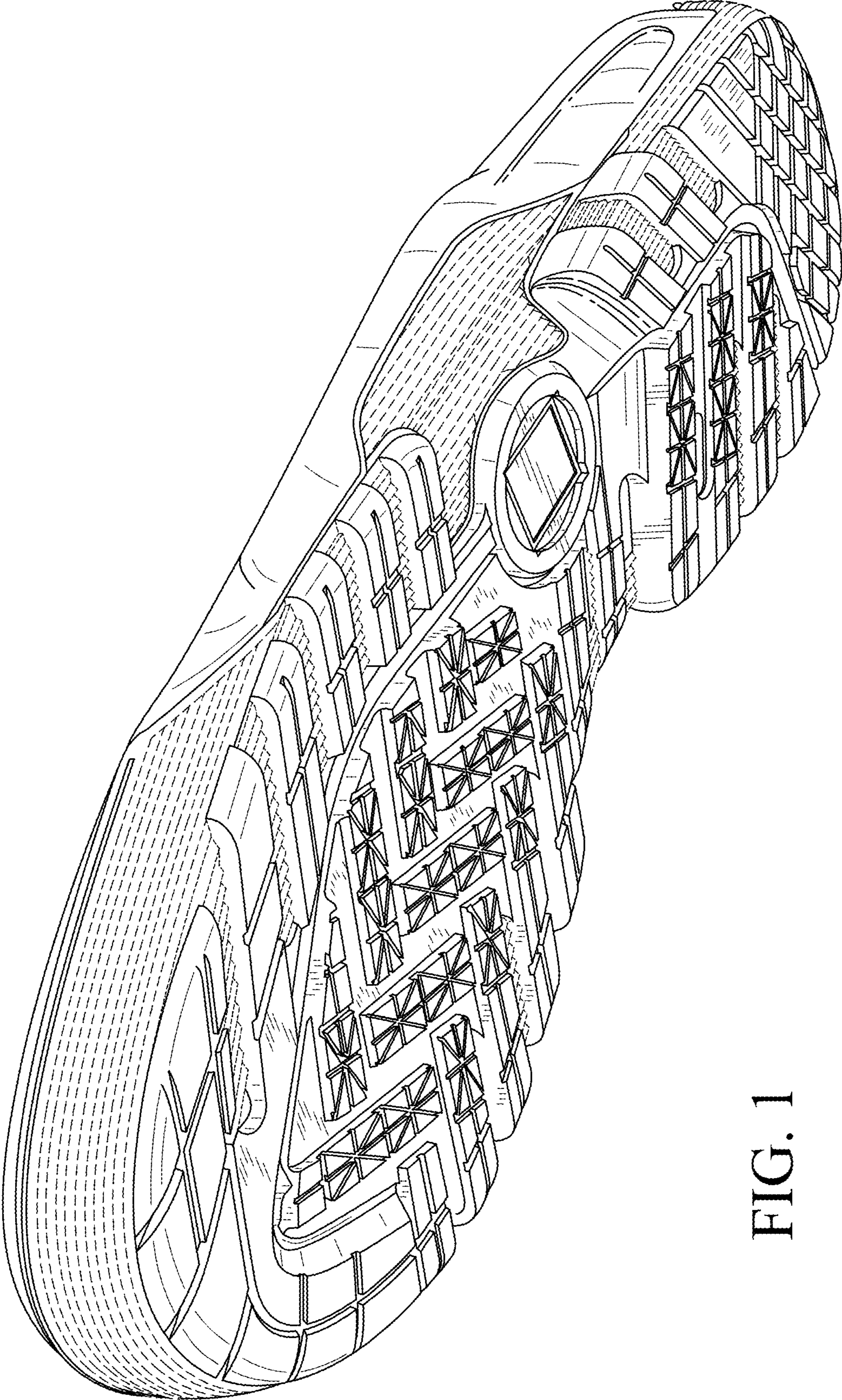


FIG. 1

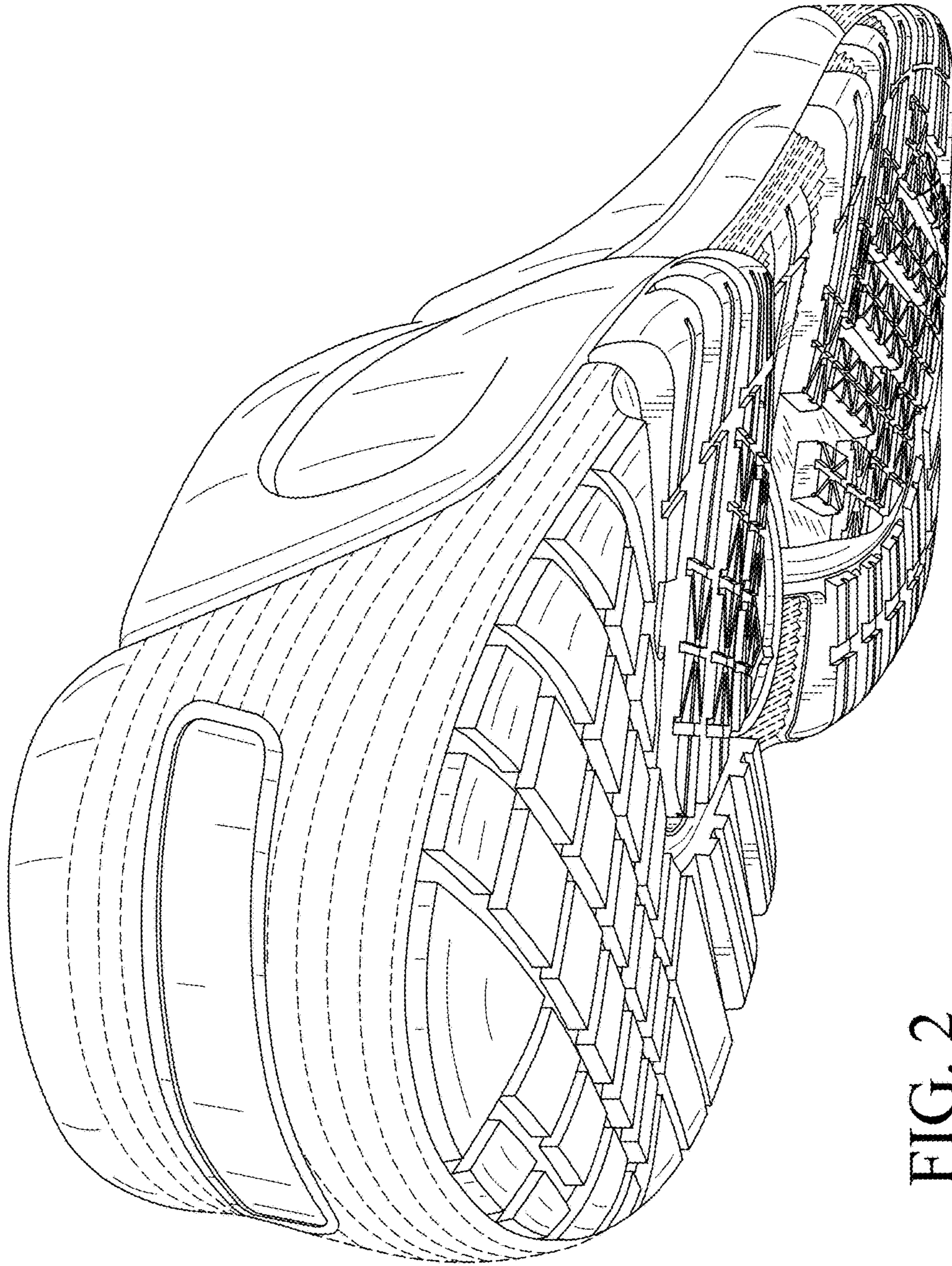


FIG. 2

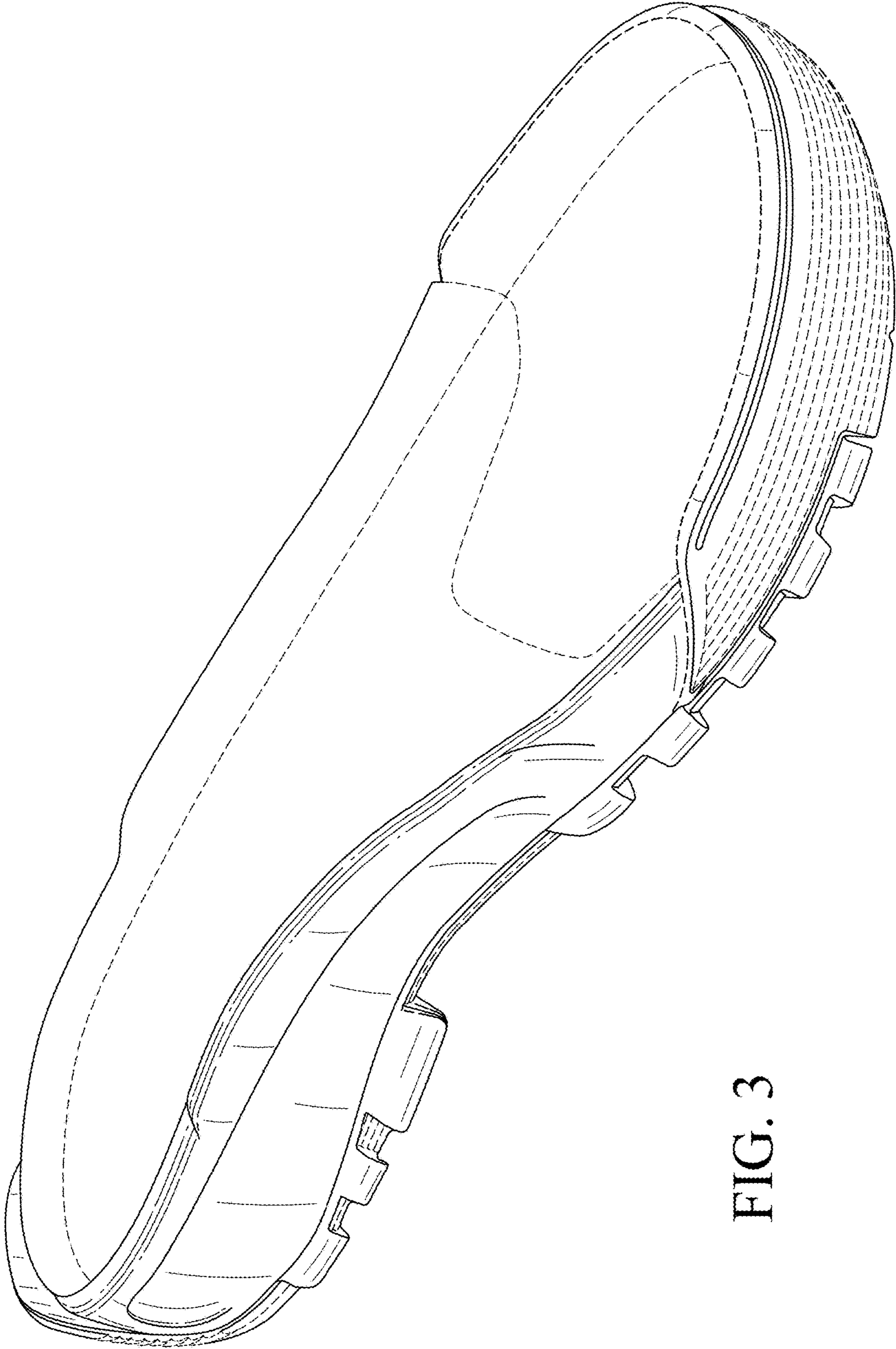


FIG. 3

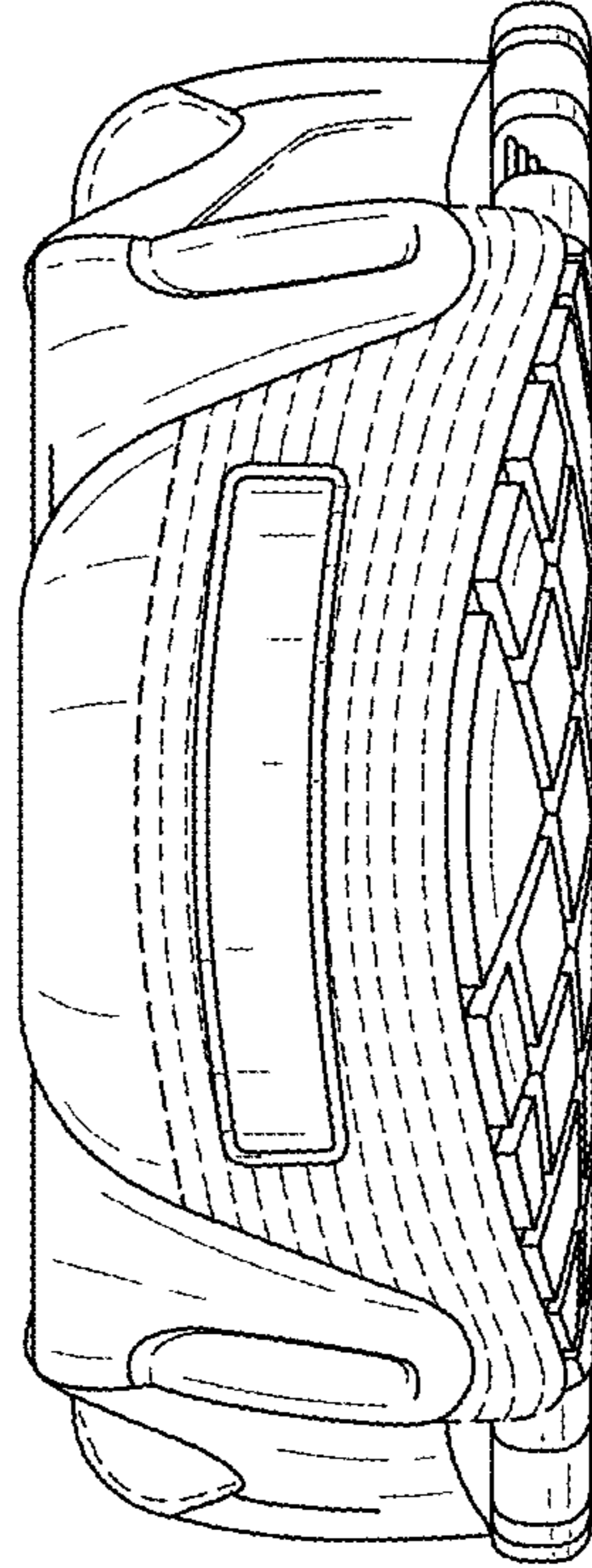


FIG. 5

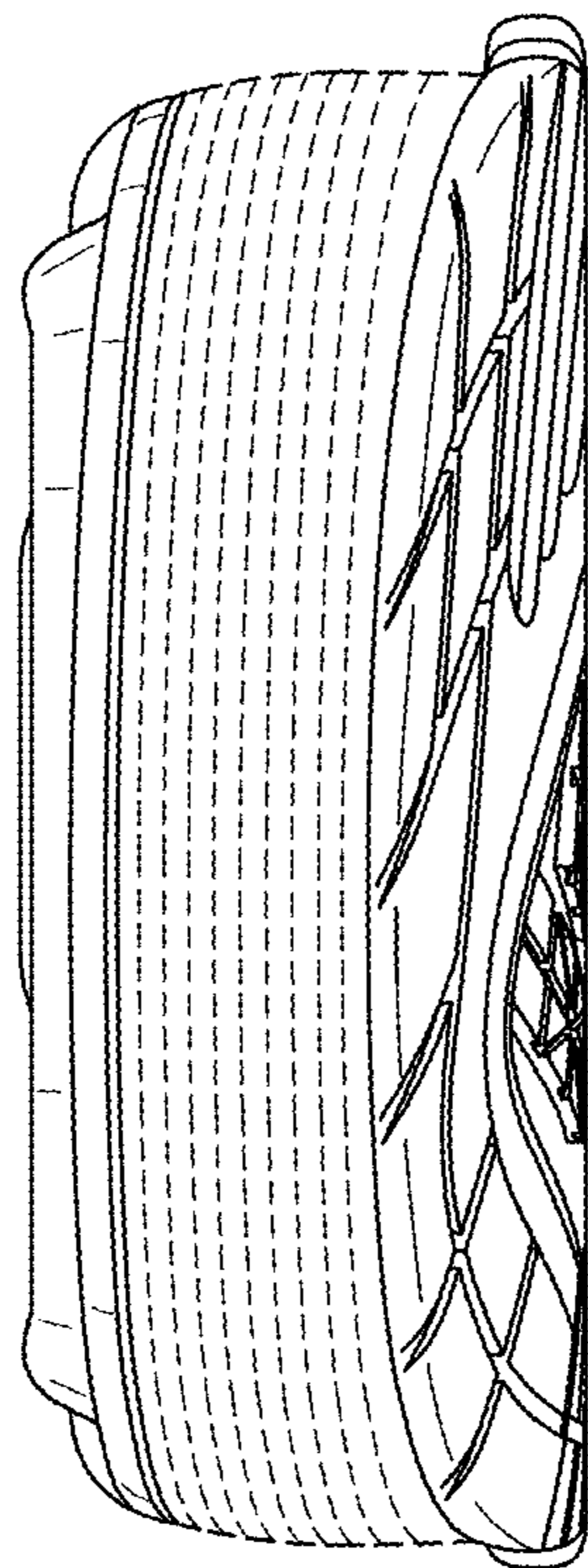


FIG. 4

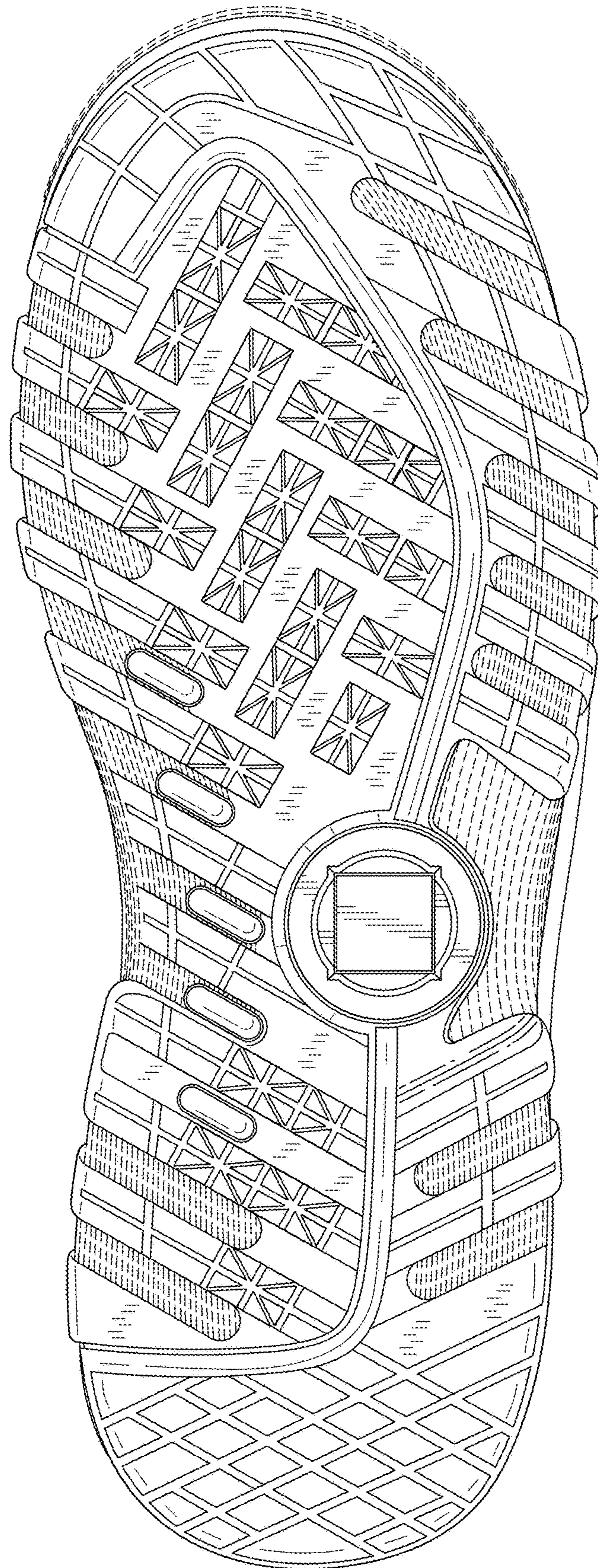


FIG. 6

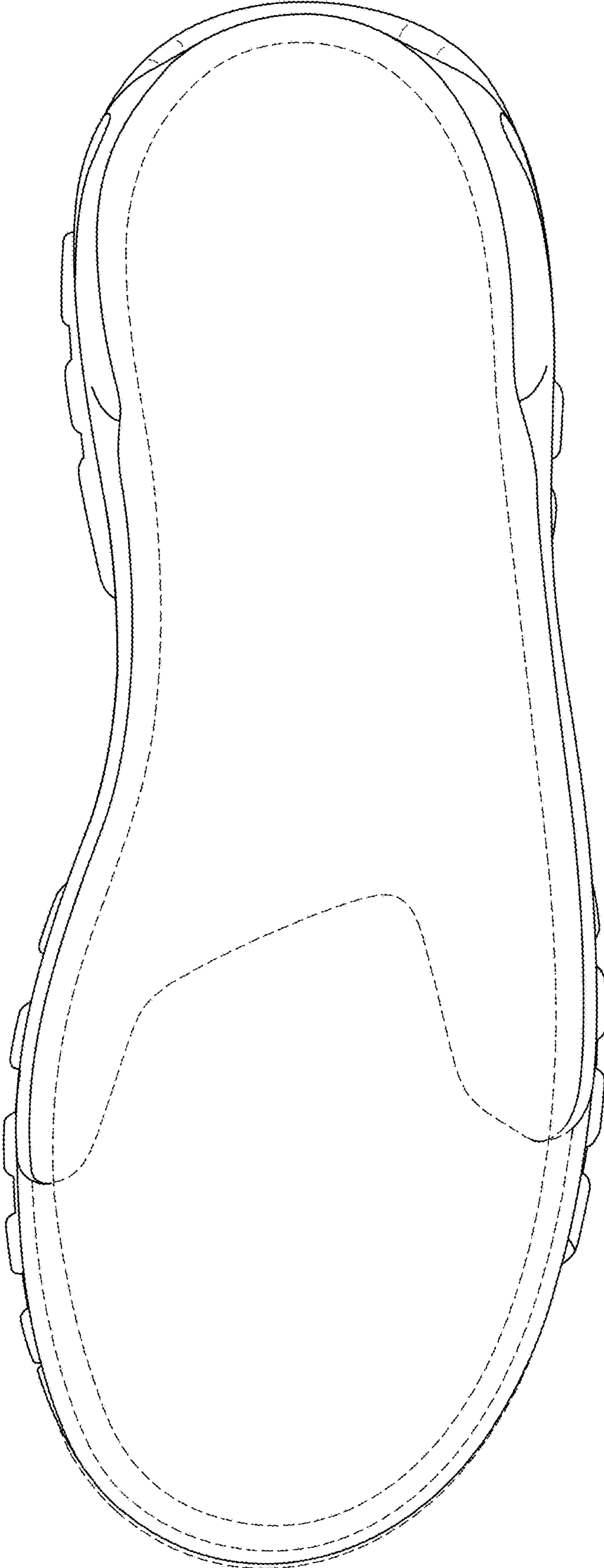


FIG. 7

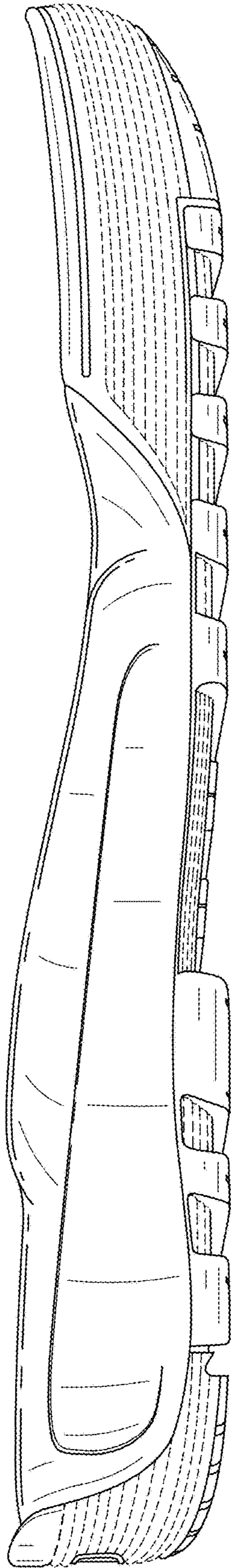


FIG. 8

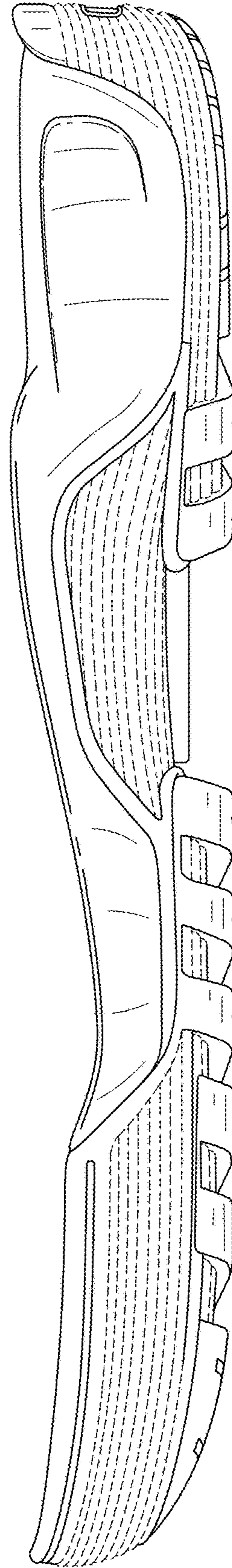


FIG. 9

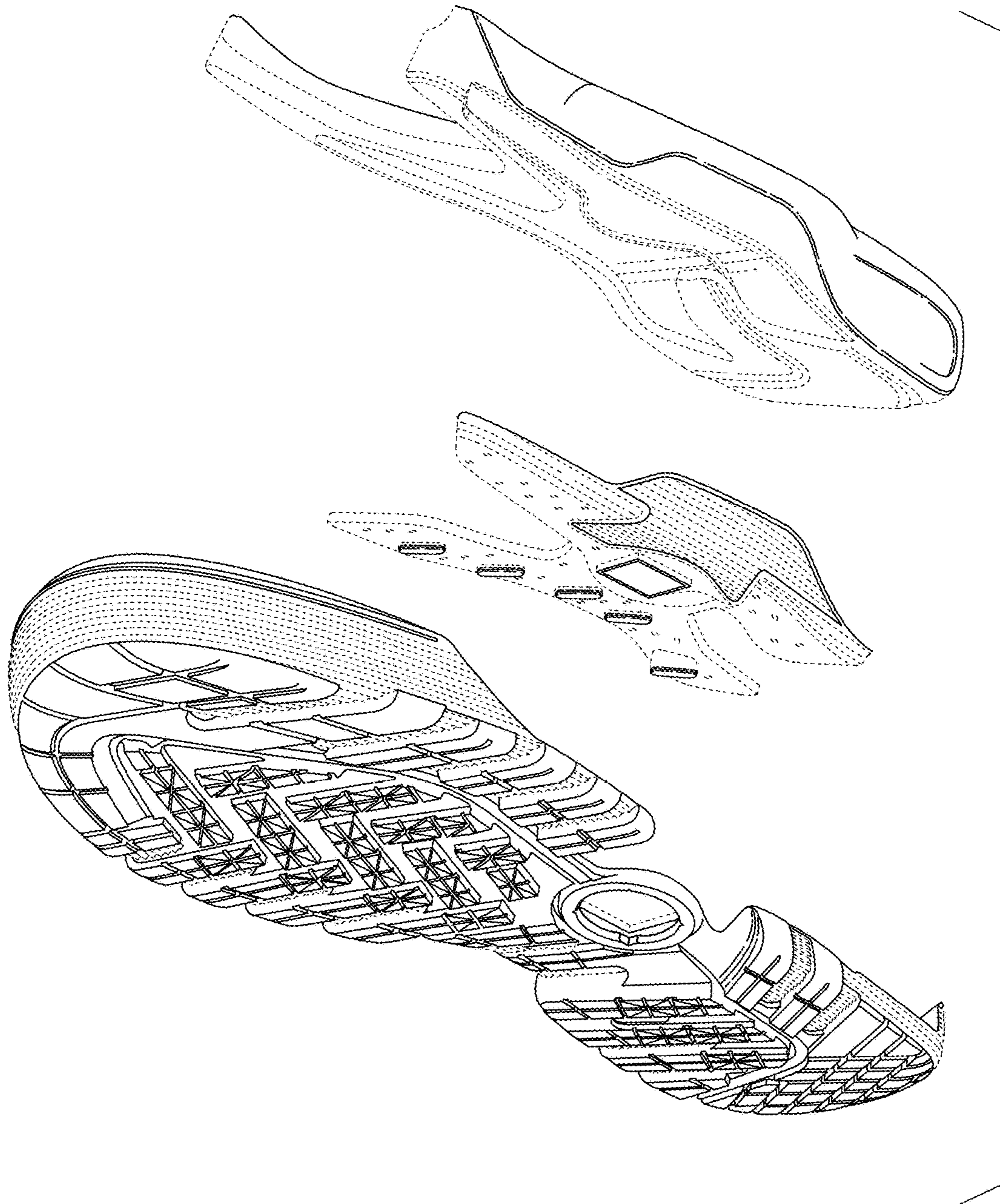


FIG. 10

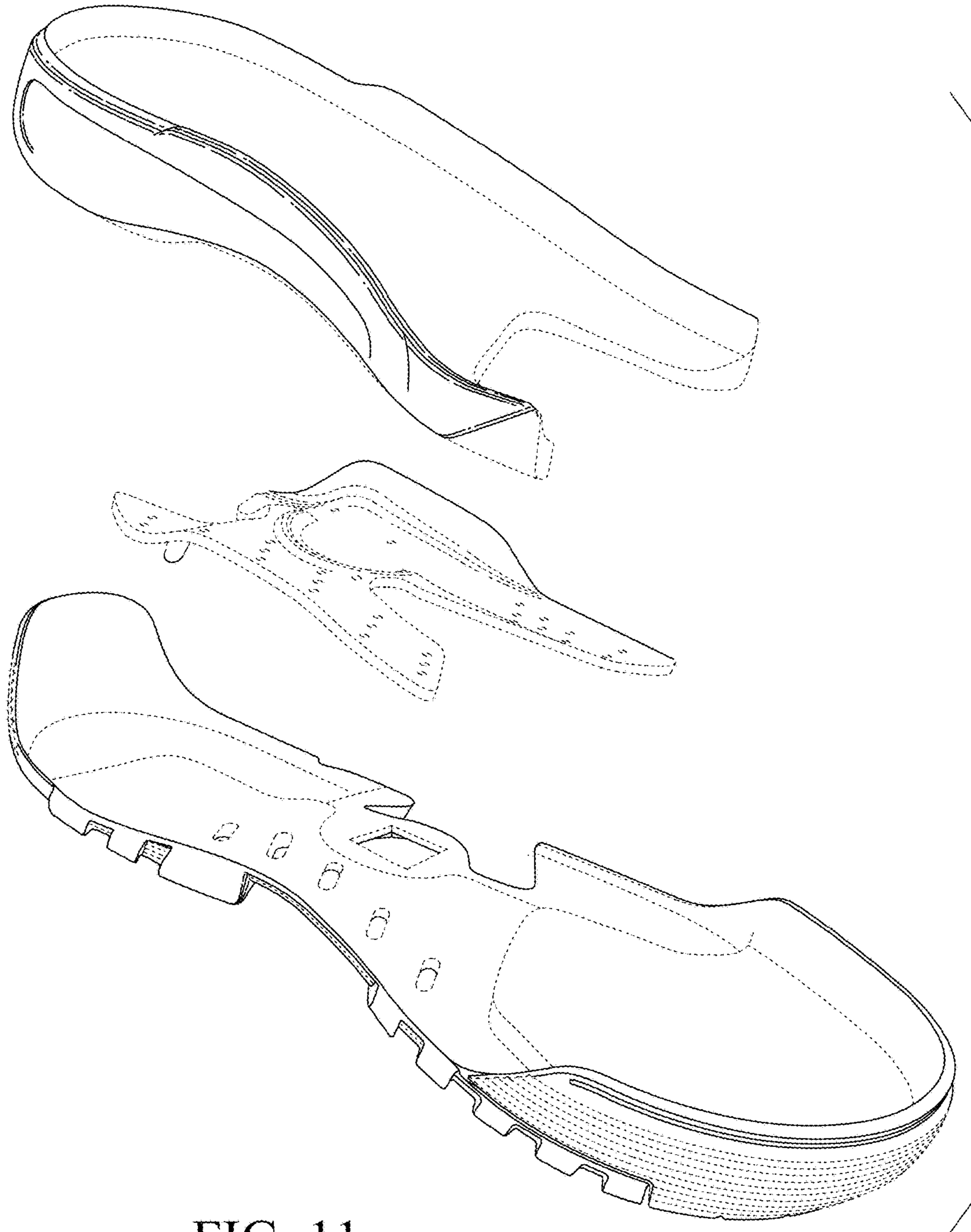


FIG. 11