



US00D855948S

(12) **United States Design Patent**
Smith

(10) **Patent No.:** **US D855,948 S**

(45) **Date of Patent:** **** Aug. 13, 2019**

(54) **DECORATIVE GAITER**

(71) Applicant: **Sharon Lynne Smith**, North Myrtle Beach, SC (US)

(72) Inventor: **Sharon Lynne Smith**, North Myrtle Beach, SC (US)

(**) Term: **15 Years**

(21) Appl. No.: **29/578,746**

(22) Filed: **Sep. 23, 2016**

(51) **LOC (12) Cl.** **02-04**

(52) **U.S. Cl.**
USPC **D2/901**

(58) **Field of Classification Search**
USPC D2/896-901, 909-912, 970, 980;
D24/192; D29/113, 114, 117, 123
CPC A43B 3/16; A43B 23/30; A61F 13/041;
A61F 13/08; A41D 17/00; A41D 17/02;
A43D 3/1416; A63B 71/1225
See application file for complete search history.

(56) **References Cited**

U.S. PATENT DOCUMENTS

1,395,772	A *	11/1921	Richardson	A41D 17/02 36/2 R
D63,596	S *	12/1923	Tweedie	36/2 R
D64,015	S *	2/1924	Karger	36/2 R
D120,887	S *	6/1940	Grezlak	36/2 R
2,438,308	A *	3/1948	Wheaton	A41D 17/00 36/2 R
2,441,373	A *	5/1948	Rauh	A41D 17/00 36/2 R
2,450,968	A *	10/1948	Knubel	A43B 23/28 2/61
3,083,373	A *	4/1963	Rizzotto	A41D 17/00 2/227
3,087,260	A *	4/1963	Hudon	A43B 3/20 36/2 R
4,035,860	A *	7/1977	Fugere	A63B 71/12 12/142 W

4,306,315 A * 12/1981 Castiglia A63B 71/1225
2/22
4,771,553 A * 9/1988 Smithdeal A43D 3/1416
12/128 R
D386,297 S * 11/1997 Minnick A41D 17/00
D2/901
D396,740 S * 8/1998 Magliulo D2/901
(Continued)

Primary Examiner — Rashida C. Walshon
(74) *Attorney, Agent, or Firm* — Ward and Smith, P.A.;
Ryan K. Simmons

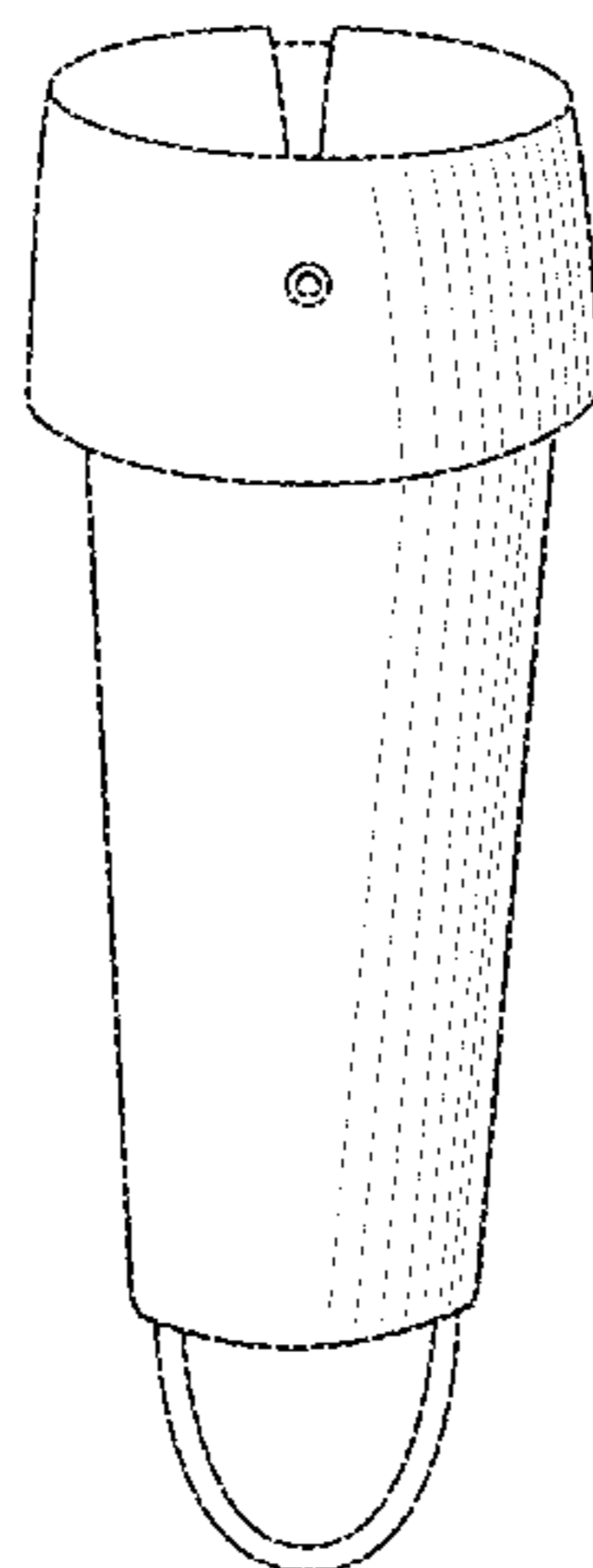
(57) **CLAIM**

The ornamental design for a decorative gaiter, as shown and described.

DESCRIPTION

FIG. 1 is a perspective view of a decorative gaiter showing my new design;
FIG. 2 is a front view of the decorative gaiter shown in FIG. 1;
FIG. 3 is a back view of the decorative gaiter shown in FIG. 1;
FIG. 4 is a right side view of the decorative gaiter shown in FIG. 1;
FIG. 5 is a left side view of the decorative gaiter shown in FIG. 1;
FIG. 6 is a top view of the decorative gaiter shown in FIG. 1;
FIG. 7 is a bottom view of the decorative gaiter shown in FIG. 1; and,
FIG. 8 is a perspective view of the decorative gaiter shown in FIG. 1 shown with a heart shaped snap on accessory for exemplary purposes only, the snap on accessory forming no part of the claimed design.
The dashed lines shown in the drawings are for environmental purposes only and form no part of the claimed design.

1 Claim, 8 Drawing Sheets



(56)

References Cited

U.S. PATENT DOCUMENTS

D416,651 S	*	11/1999	Lanoué	A41D 17/02 D29/120.1
D505,777 S	*	6/2005	Dunlap	D2/901
D625,085 S	*	10/2010	Frase	D2/901
D666,792 S	*	9/2012	Zambito	A41D 17/00 D2/901
D683,908 S	*	6/2013	Pasloski	A63B 71/12 D29/121.2

* cited by examiner

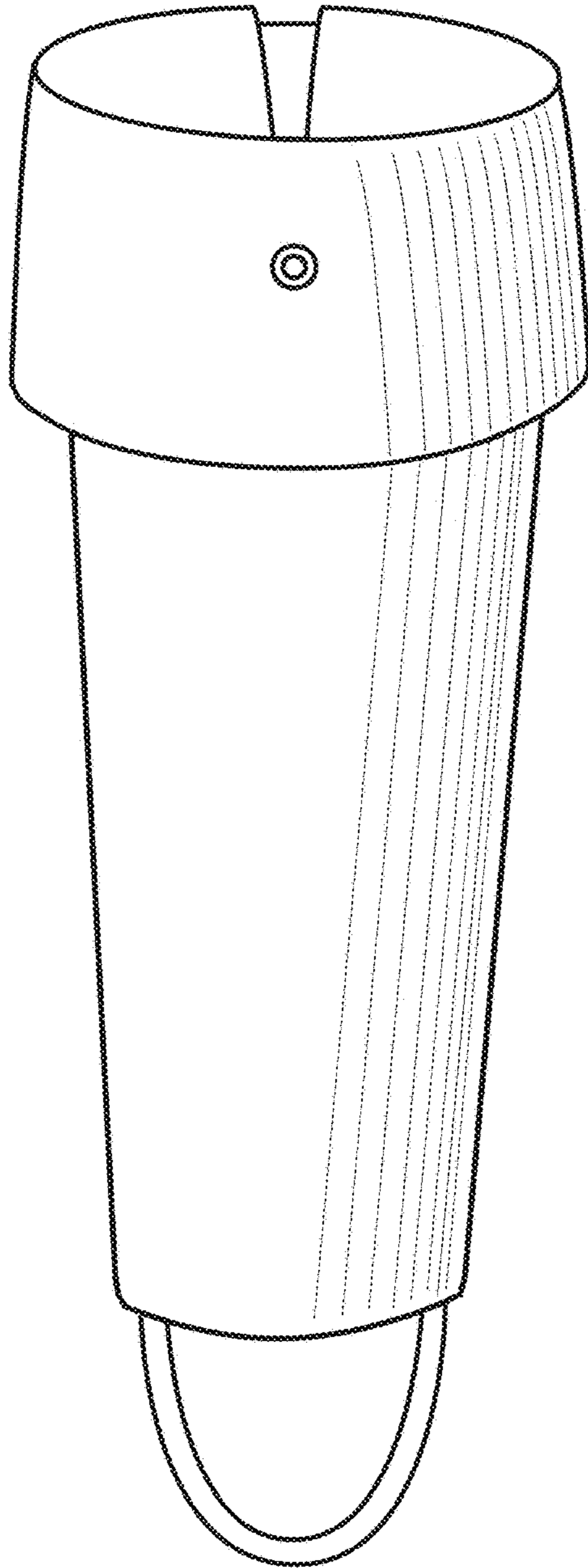


FIG. 1

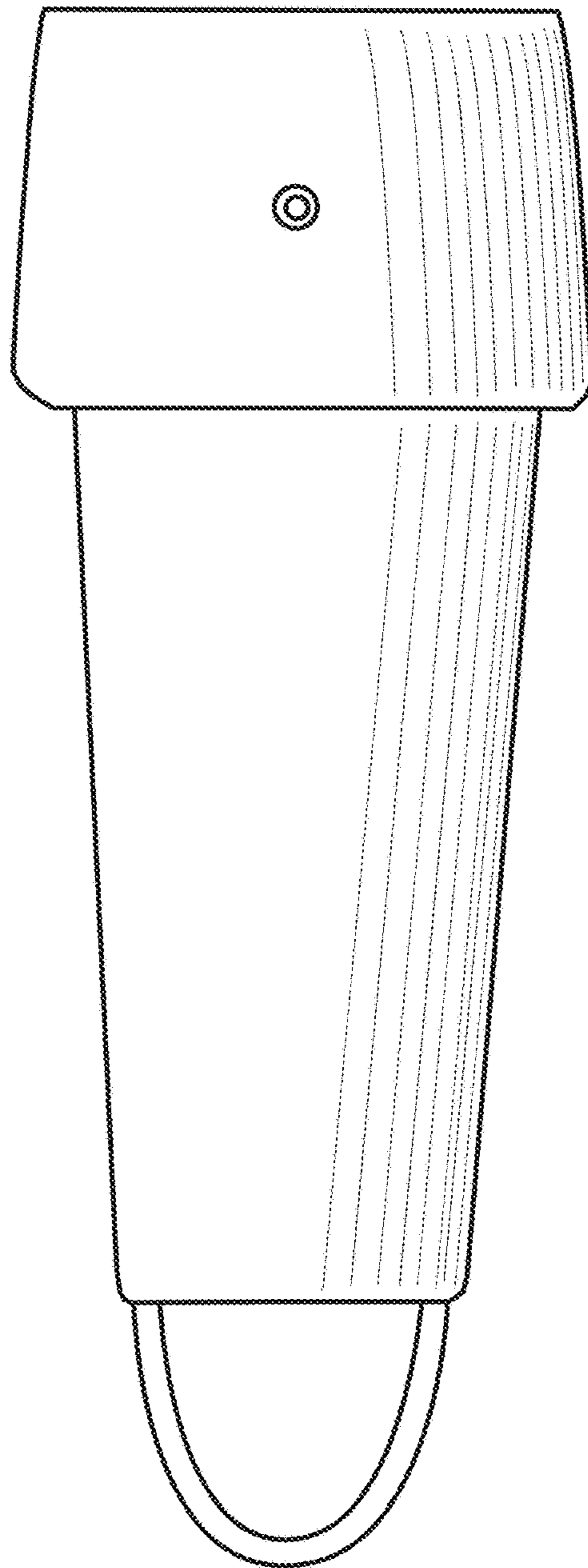


FIG. 2

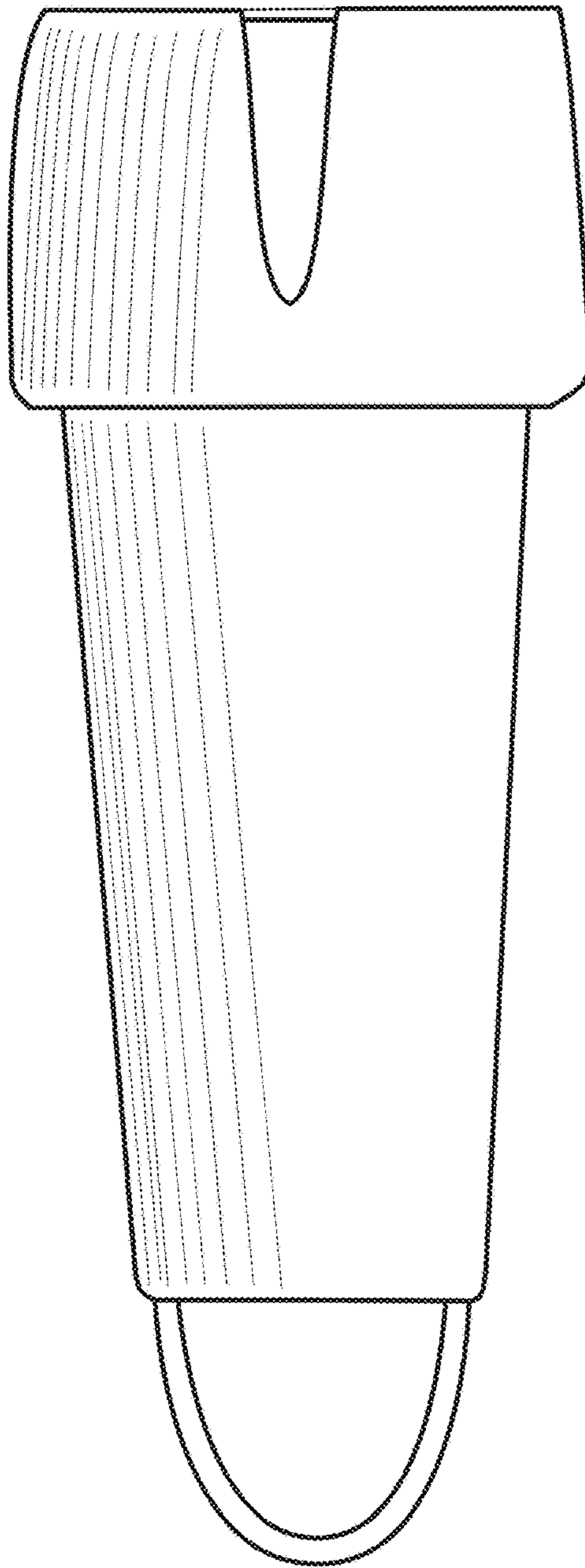


FIG. 3

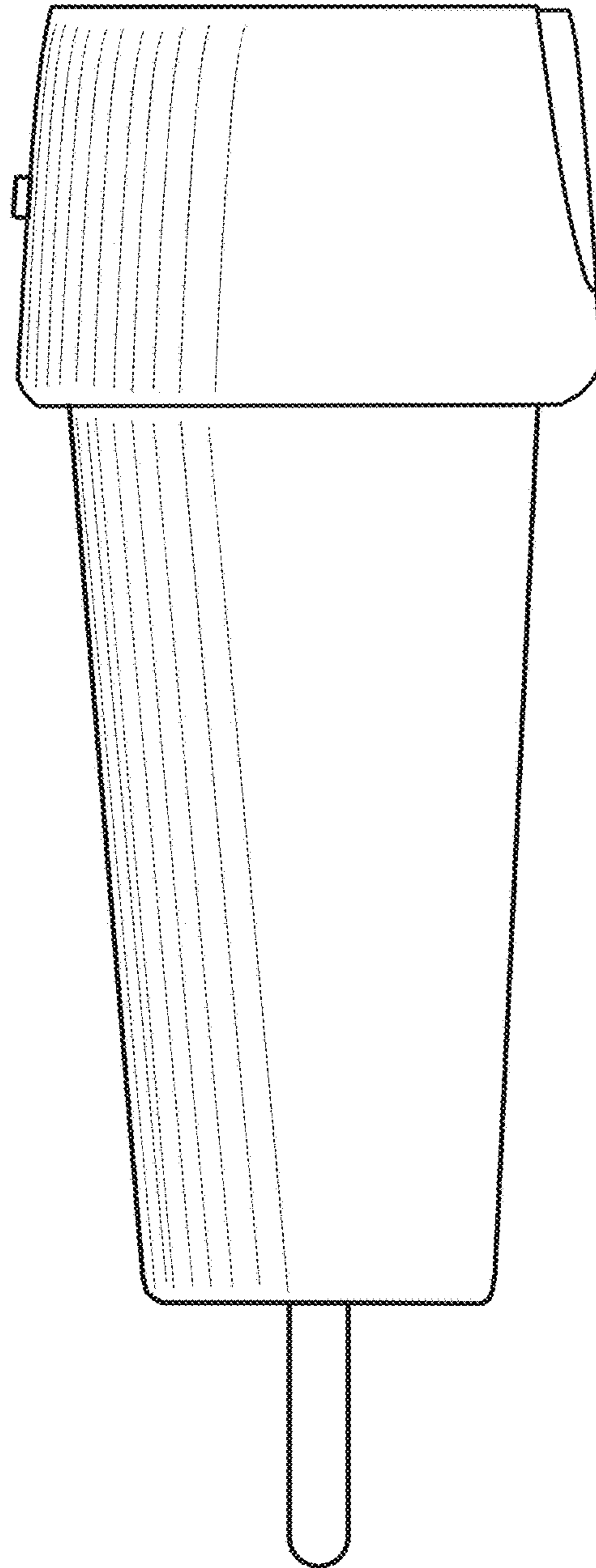


FIG. 4

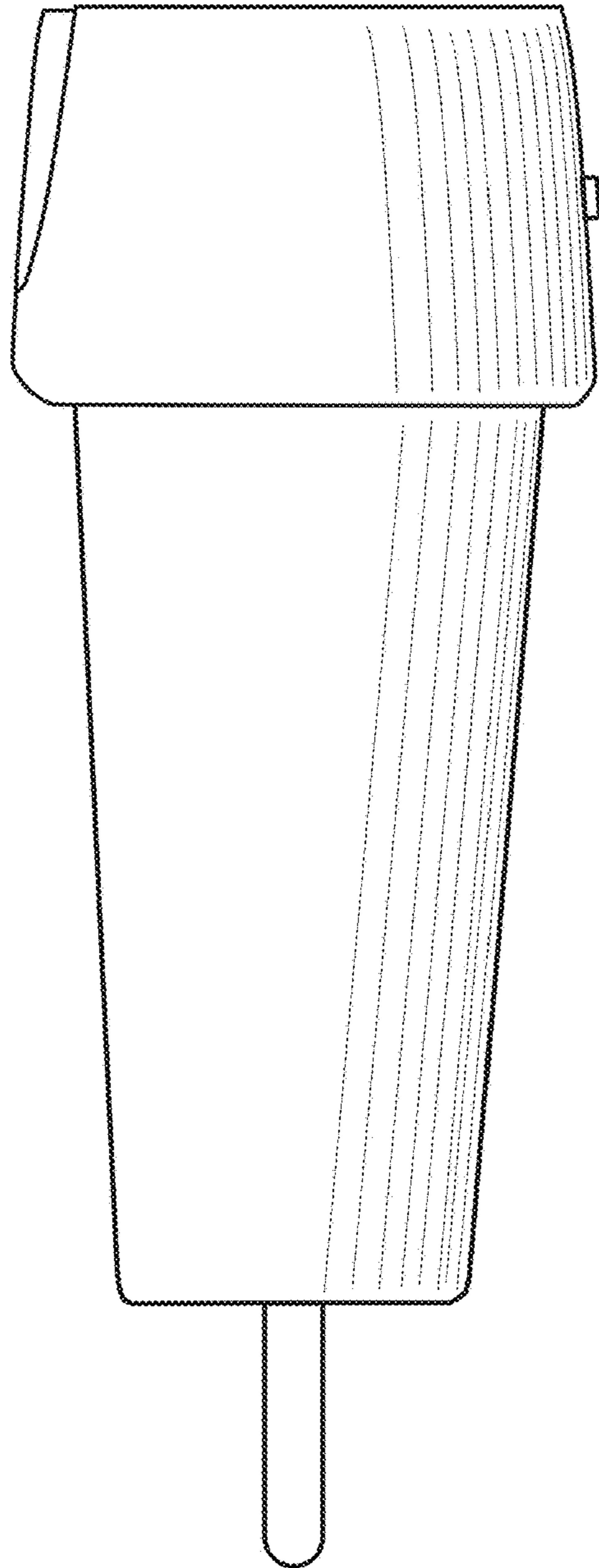


FIG. 5

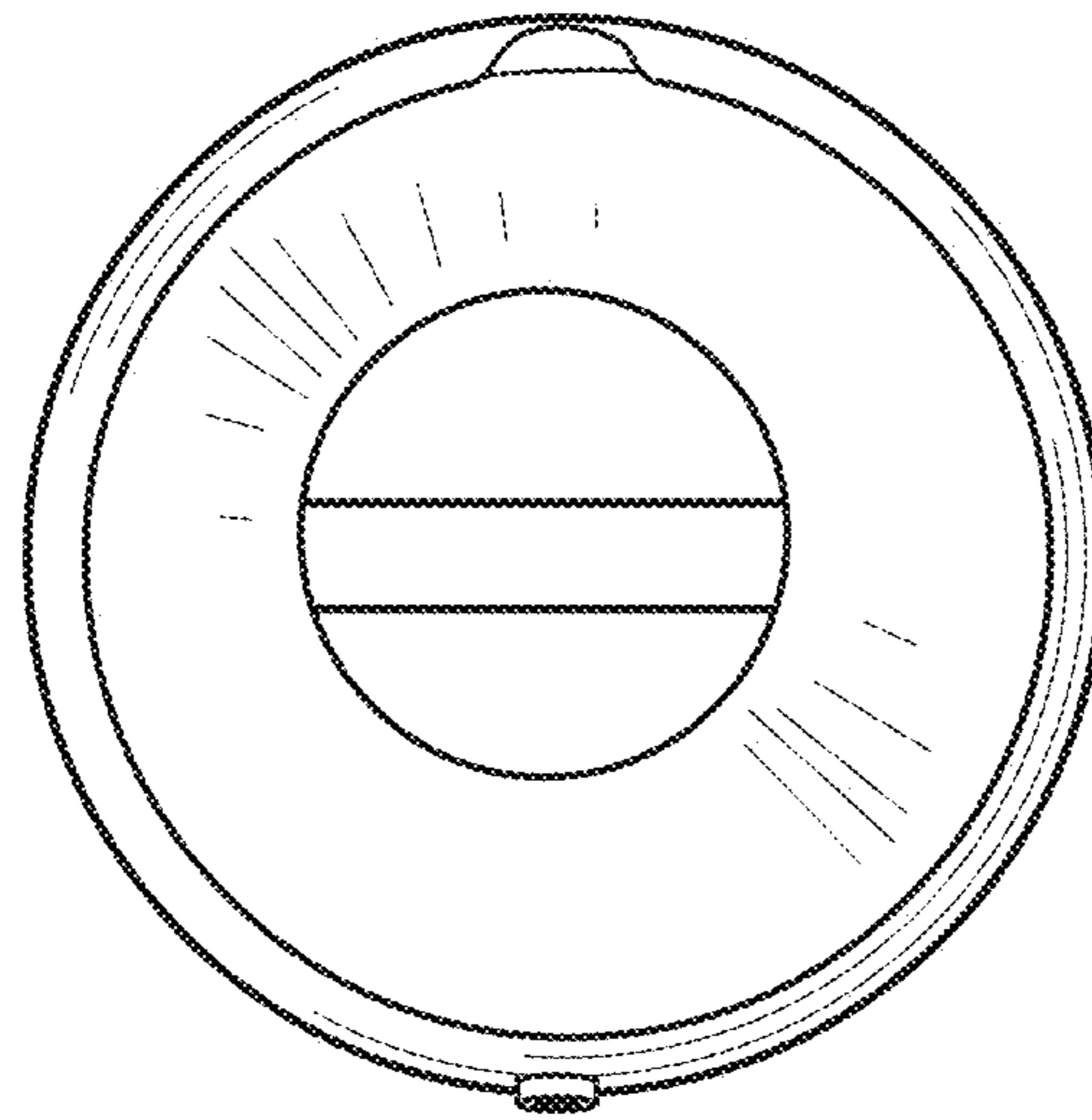


FIG. 6

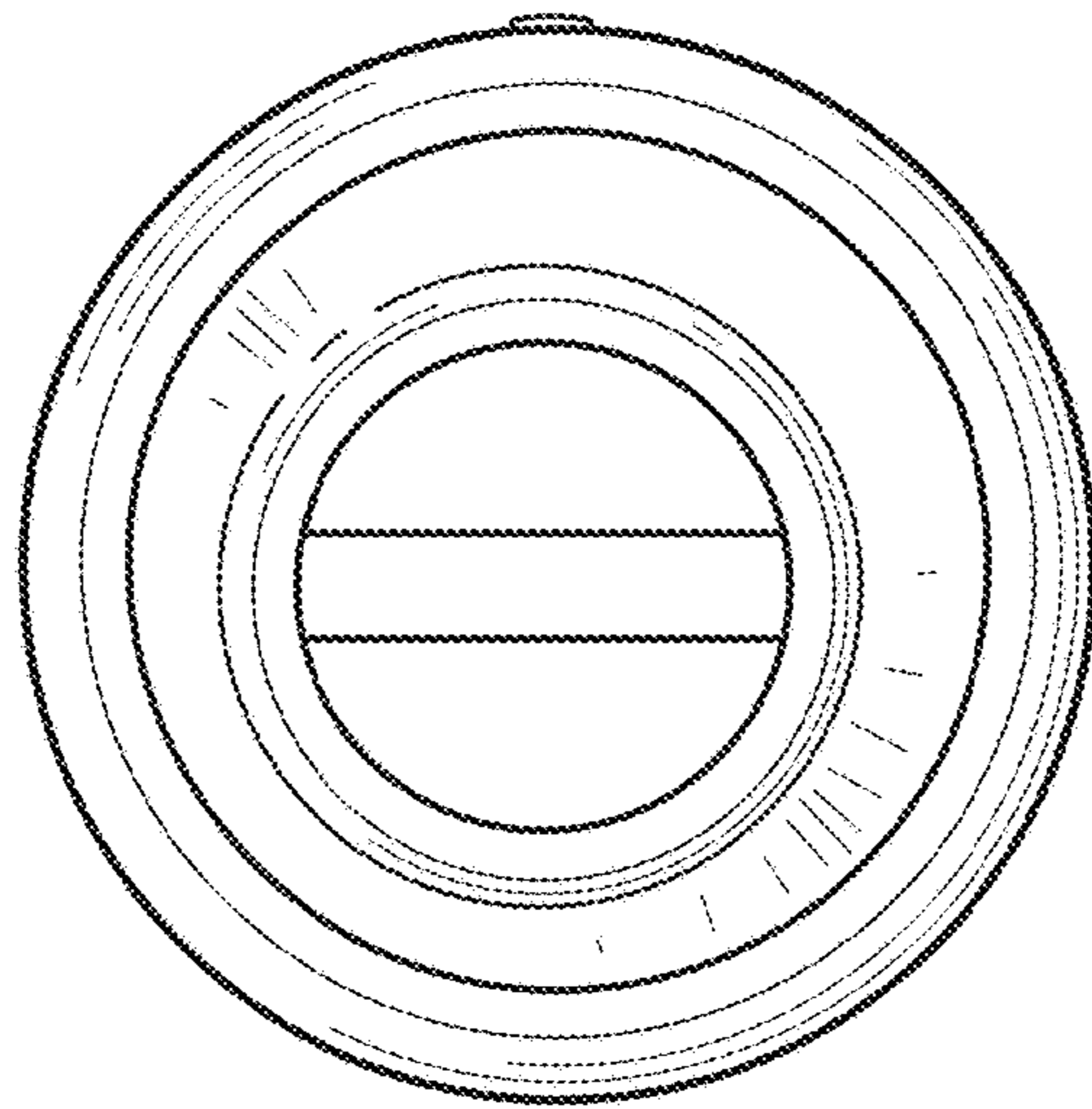


FIG. 7

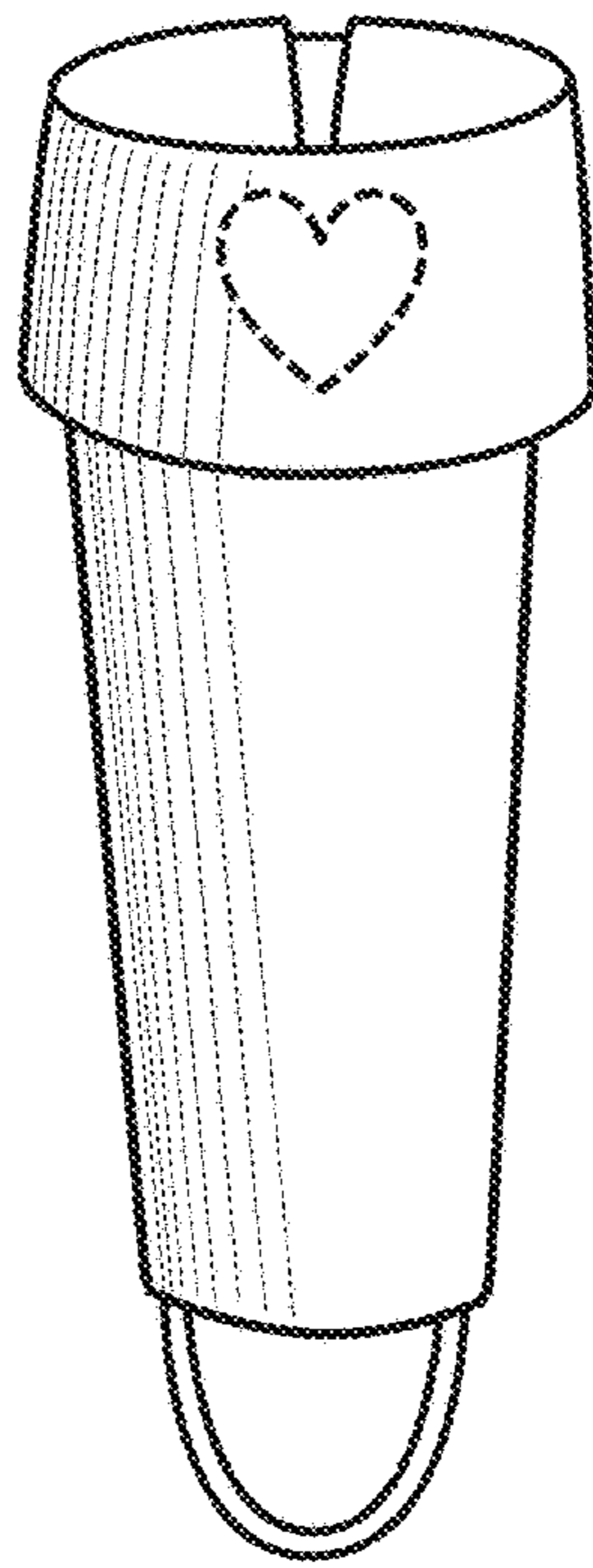


FIG. 8