



US00D855946S

(12) **United States Design Patent** (10) **Patent No.:** **US D855,946 S**  
**Hamman et al.** (45) **Date of Patent:** **\*\* Aug. 13, 2019**

(54) **BRIM FOR HEADWEAR**

(71) Applicants: **Christopher Hamman**, Sturbridge, MA (US); **Evan Kereiakes**, New York, NY (US)

(72) Inventors: **Christopher Hamman**, Sturbridge, MA (US); **Evan Kereiakes**, New York, NY (US)

(\*\*) Term: **15 Years**

(21) Appl. No.: **29/594,802**

(22) Filed: **Feb. 22, 2017**

(51) **LOC (12) Cl.** ..... **02-03**

(52) **U.S. Cl.**  
USPC ..... **D2/891**

(58) **Field of Classification Search**  
USPC ..... D2/865, 866, 867, 868, 869, 870, 871, D2/872, 873, 874, 875, 876, 877, 878, D2/879, 880, 881, 882, 883, 884, 885, D2/886, 887, 888, 889, 890, 891, 892, D2/893, 894, 895; D29/102, 103, 122, D29/129

CPC .. A42B 1/00; A42B 1/004; A42B 1/02; A42B 1/062; A42B 1/248; A42B 3/00; A42B 3/124; A42C 5/00

See application file for complete search history.

(56) **References Cited**

**U.S. PATENT DOCUMENTS**

2,874,387	A *	2/1959	Bannister	.....	A42B 1/062
					2/10
3,766,565	A *	10/1973	Cozzens	.....	A42B 1/06
					2/195.1
D263,515	S *	3/1982	Townsend, Jr. et al.	.....	D2/893
D280,566	S *	9/1985	Schwartzburg	.....	D2/876
D294,877	S *	3/1988	Burley	.....	D2/893
D589,235	S *	3/2009	Kelleghan	.....	D2/876
D592,835	S *	5/2009	Wilson	.....	D2/893
D607,608	S *	1/2010	Taylor	.....	D29/109

D783,950	S *	4/2017	Johnson	.....	D2/891
2004/0123376	A1 *	7/2004	Wang	.....	A42B 1/063
					2/171.1
2010/0064419	A1 *	3/2010	Lee	.....	A42B 1/063
					2/209.13

(Continued)

**OTHER PUBLICATIONS**

Boat Brim—The Windproof Hat, [on-line]; [video posted to the Internet on May 31, 2017]; [retrieved from the Internet on May 25, 2018]; URL: <https://www.youtube.com/watch?v=sBNa9rJKdAl>. (1 pg). (Year: 2017).\*

(Continued)

*Primary Examiner* — Karen S Acker

*Assistant Examiner* — Jasmine Mlinarcik

(74) *Attorney, Agent, or Firm* — Fish & Richardson P.C.; Frank L. Gerratana

(57) **CLAIM**

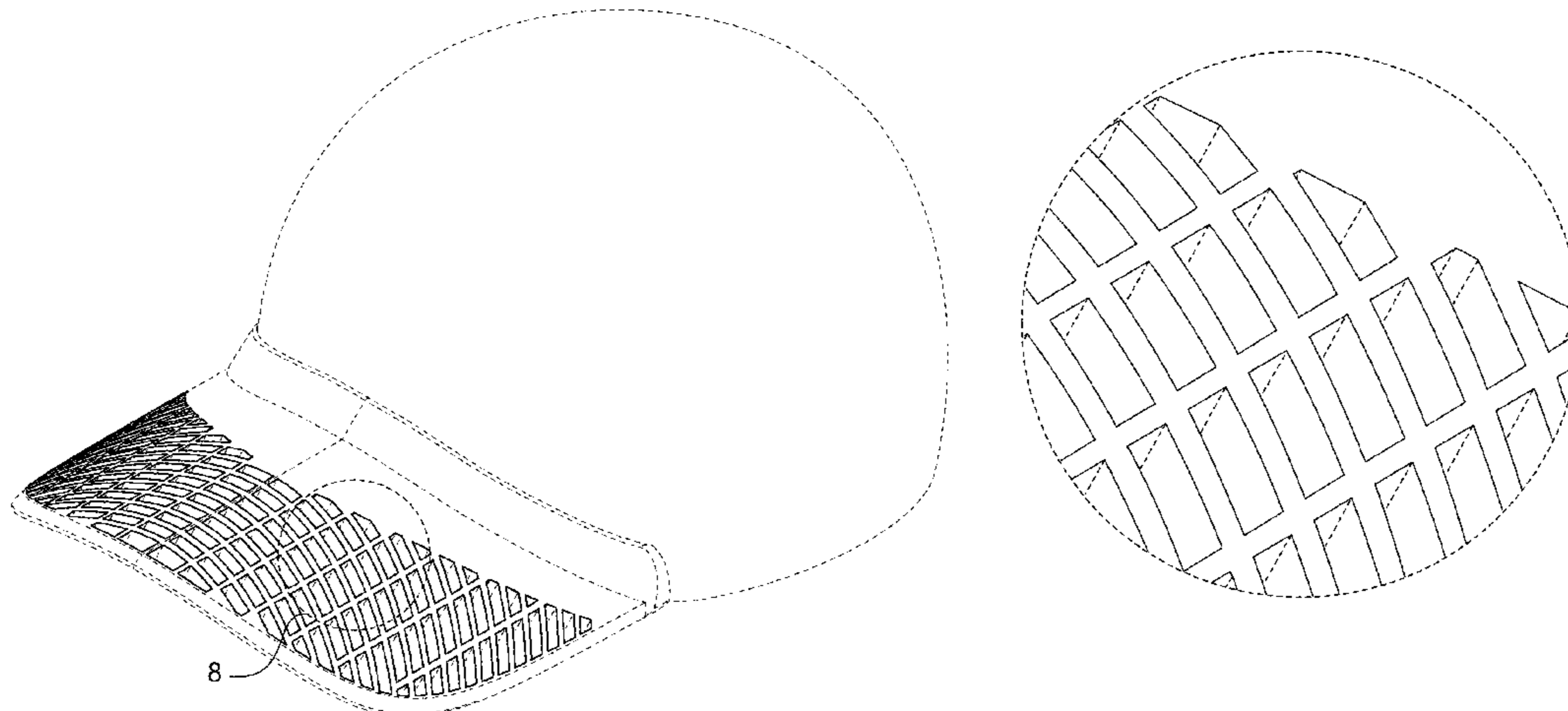
The ornamental design for a brim for headwear, as shown and described.

**DESCRIPTION**

FIG. 1 is a perspective front view of a brim for headwear. FIG. 2 is a bottom view thereof. FIG. 3 is a front view thereof. FIG. 4 is a rear view thereof. FIG. 5 is a left side view thereof. FIG. 6 is a right side view thereof. FIG. 7 is a top view thereof; and, FIG. 8 is an enlarged detail view taken from line 8 in FIG. 1.

The broken line showing of the headwear illustrates the environment of the claimed design and forms no part thereof. The broken lines within the brim depict portions of the brim for headwear that form no part of the claimed design. The broken lines indicating the enlarged detail form no part of the claimed design.

**1 Claim, 6 Drawing Sheets**



(56)

**References Cited**

U.S. PATENT DOCUMENTS

2014/0137311 A1\* 5/2014 Sandoval ..... A42B 1/063  
2/181  
2017/0245572 A1\* 8/2017 Han ..... A42B 1/004

OTHER PUBLICATIONS

Performance Hat—Grey, [on-line]; [Internet publication date unknown];  
[retrieved from the Internet on May 25, 2018]; URL: <https://boatbrim.com/collections/classic-boatbrim-1/products/performance-hat-grey> .  
(2 pgs). (Year: 2018).\*

US Trademark Application #87296515 (now Registered Trademark  
#5342517) for “Boat Brim,” filed Jan. 11, 2017 by Evan Kereiakes.  
First Use in Commerce approximately Jun. 2017. Retrieved on May  
25, 2018. (3 pgs). (Year: 2017).\*

US Trademark Application #87513368 (now Registered Trademark  
#5395318) for “Boat Brim,” filed Jun. 30, 2017 by Evan Kereiakes.  
First Use in Commerce Jun. 19, 2017. Retrieved on May 25, 2018.  
(3 pgs). (Year: 2017).\*

\* cited by examiner

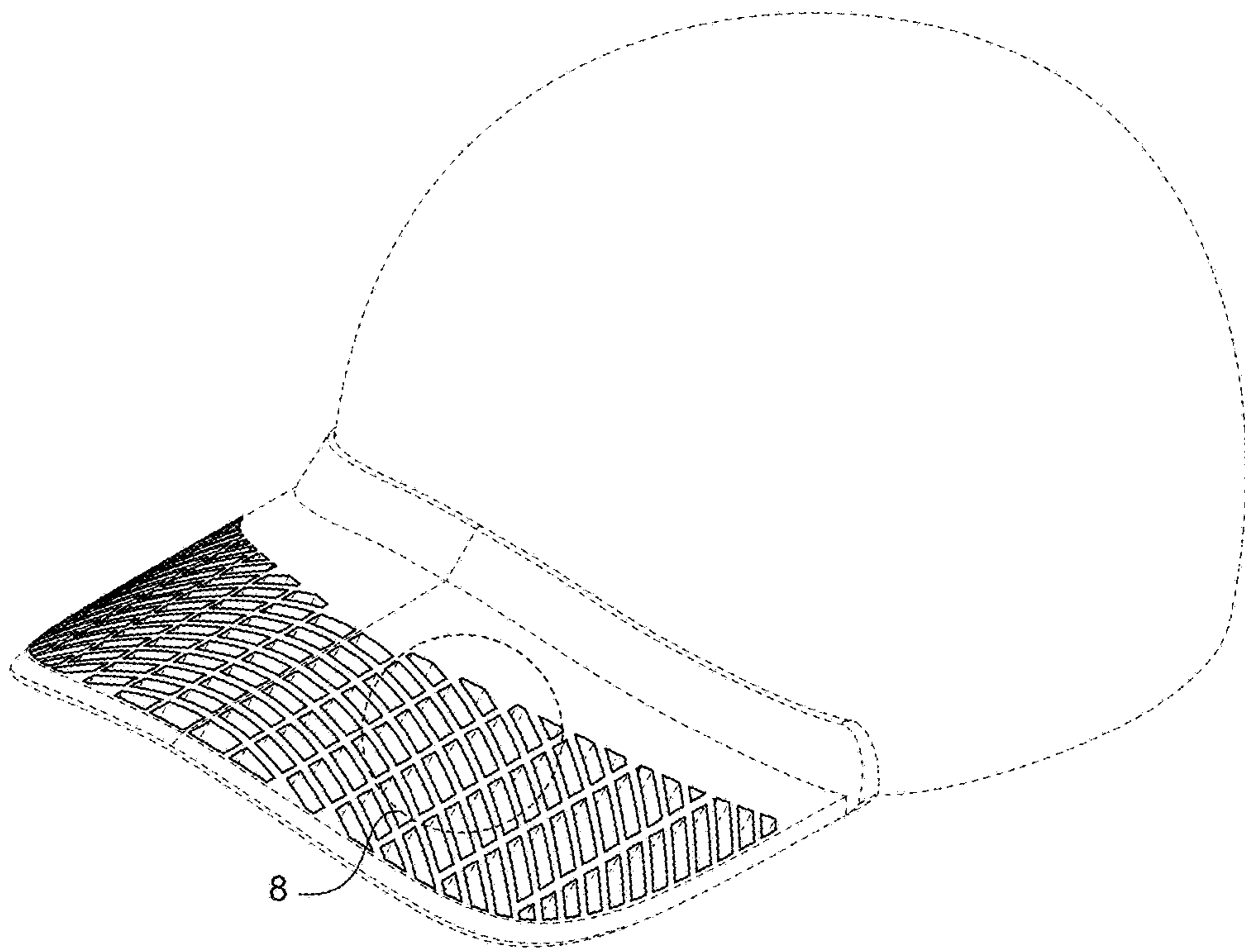


FIG. 1

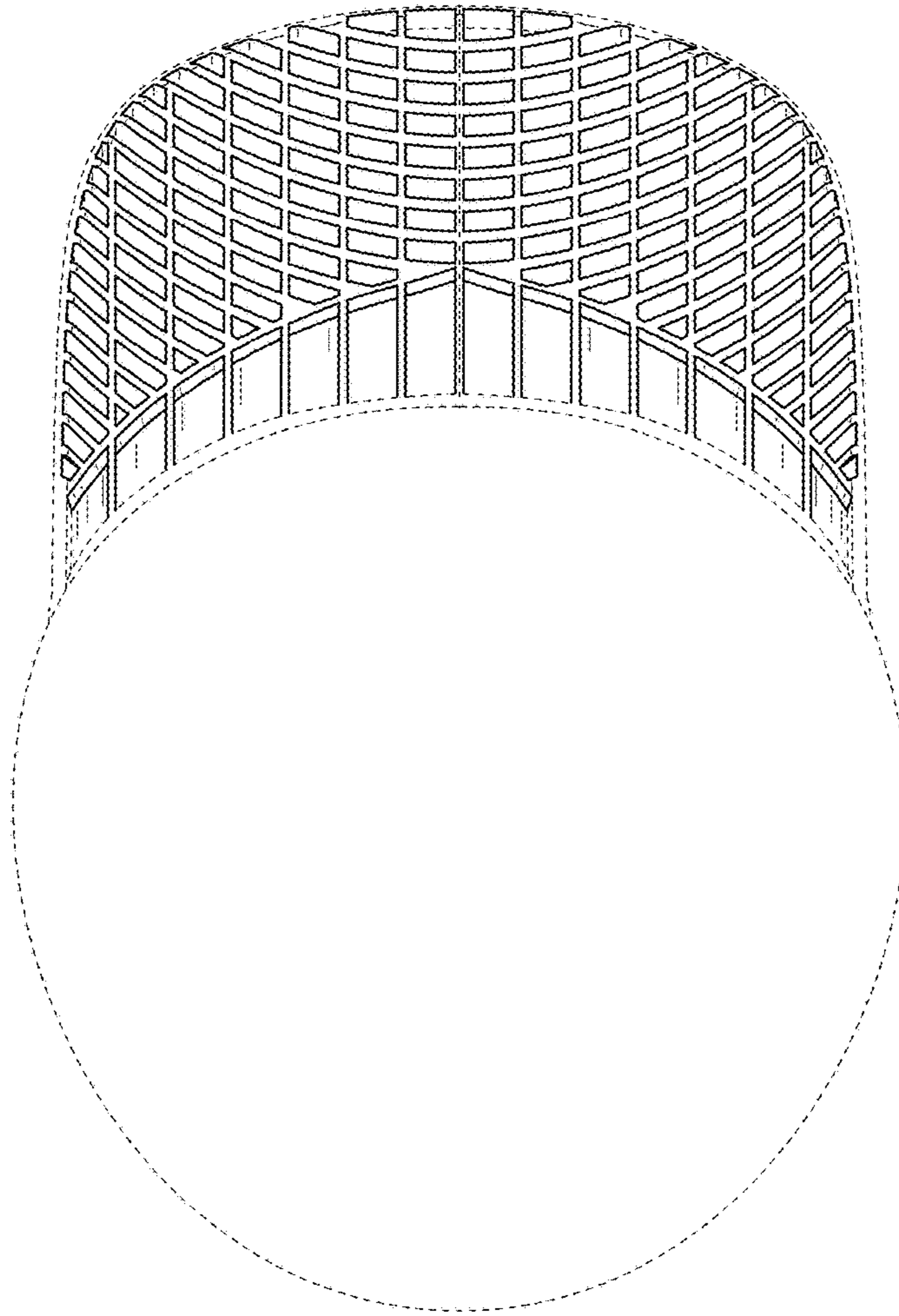


FIG. 2

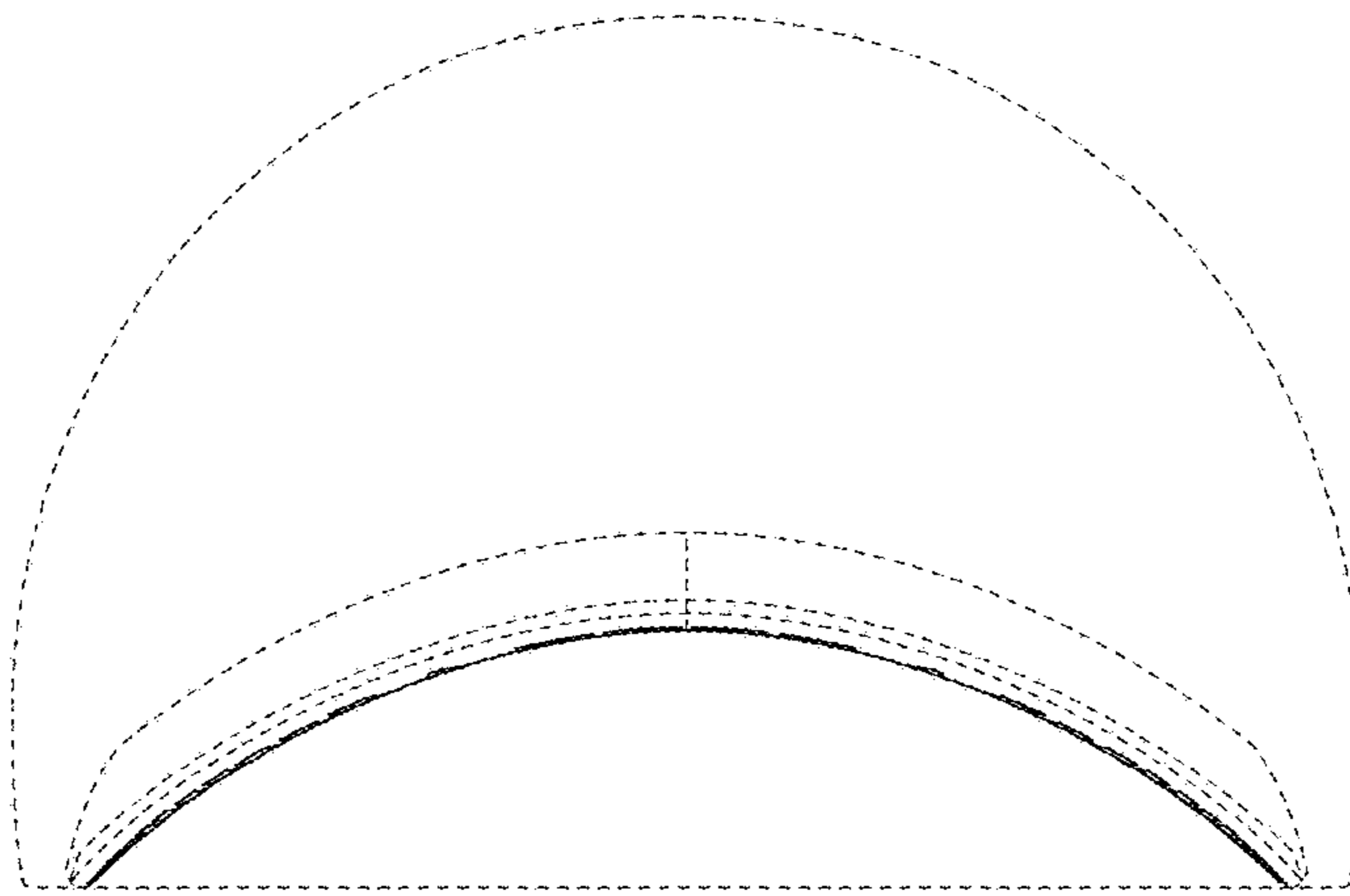


FIG. 3

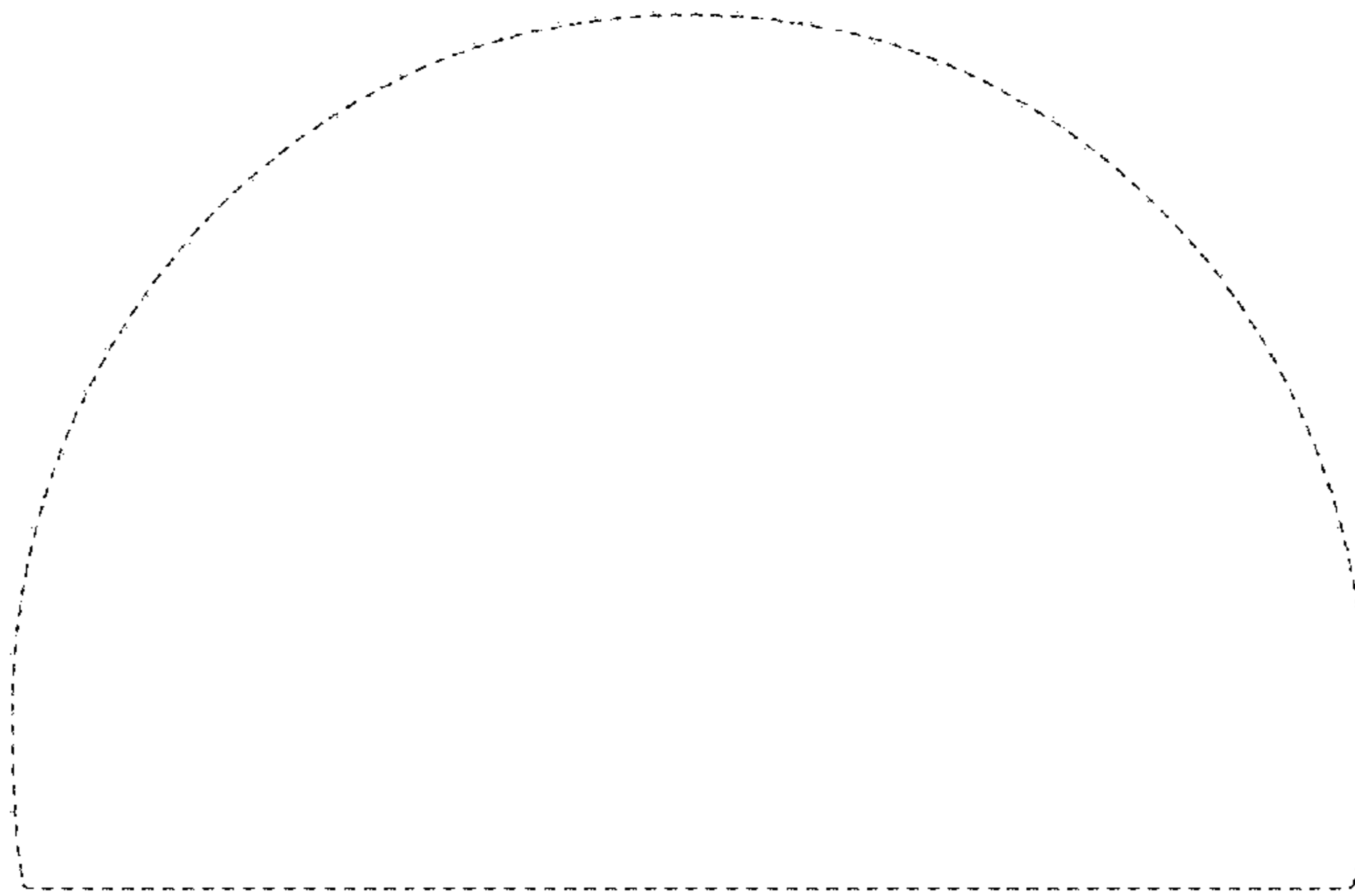


FIG. 4

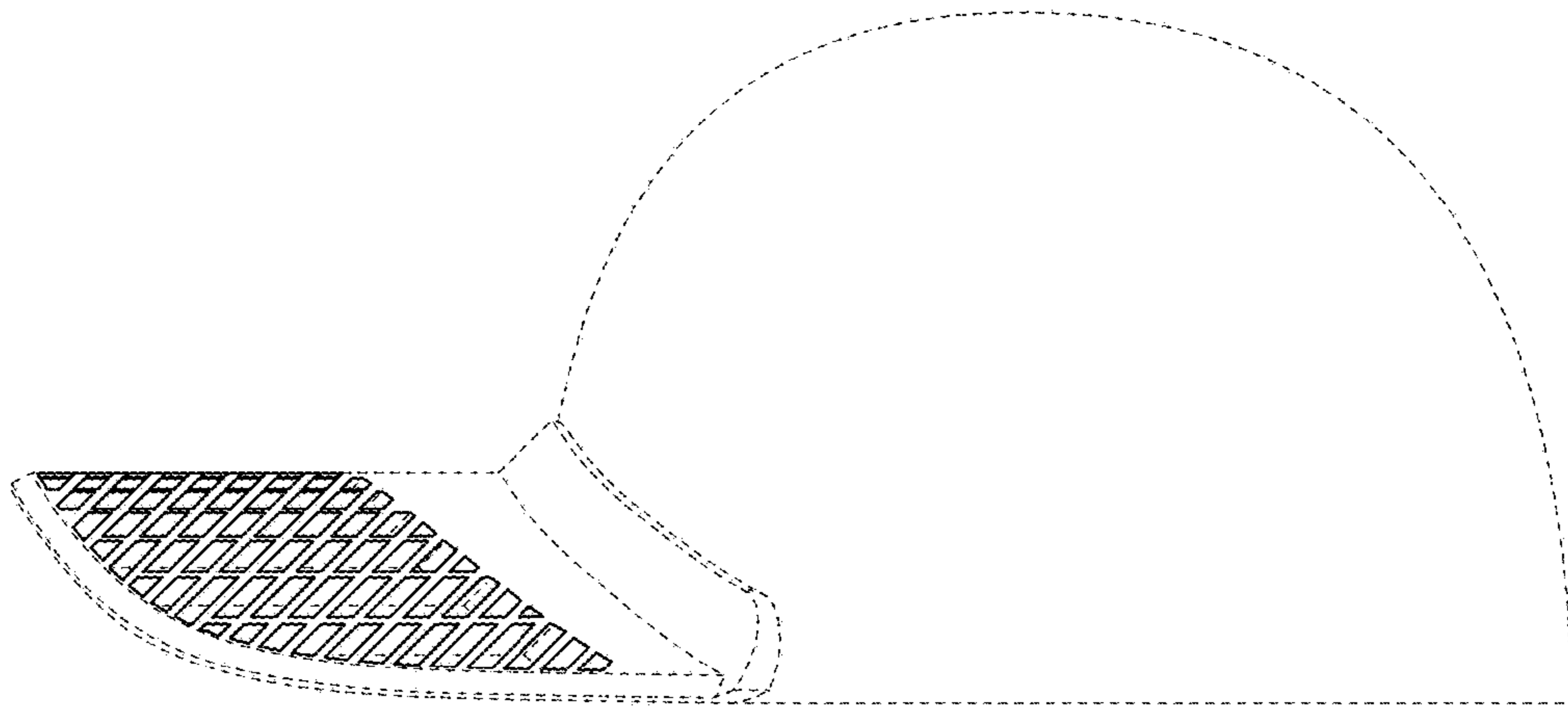


FIG. 5

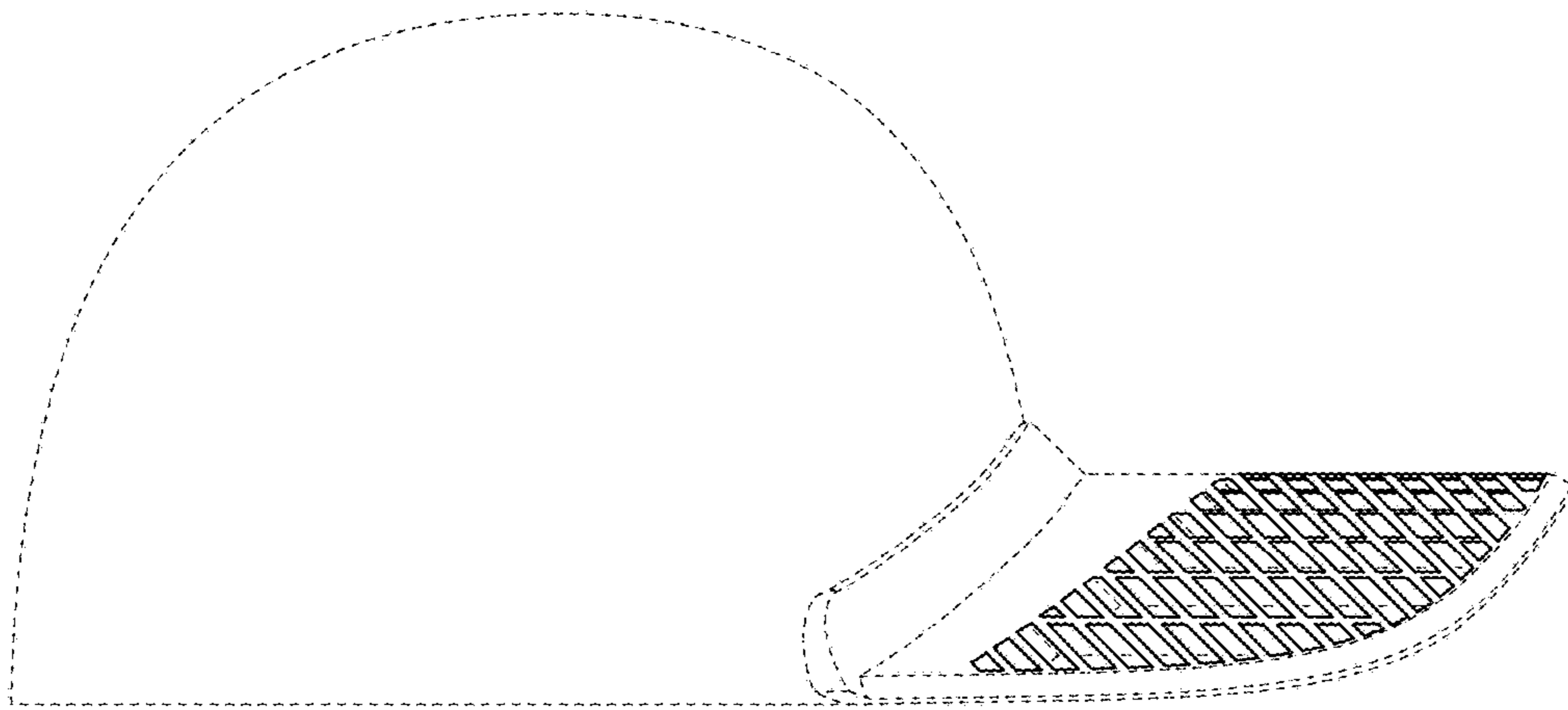


FIG. 6

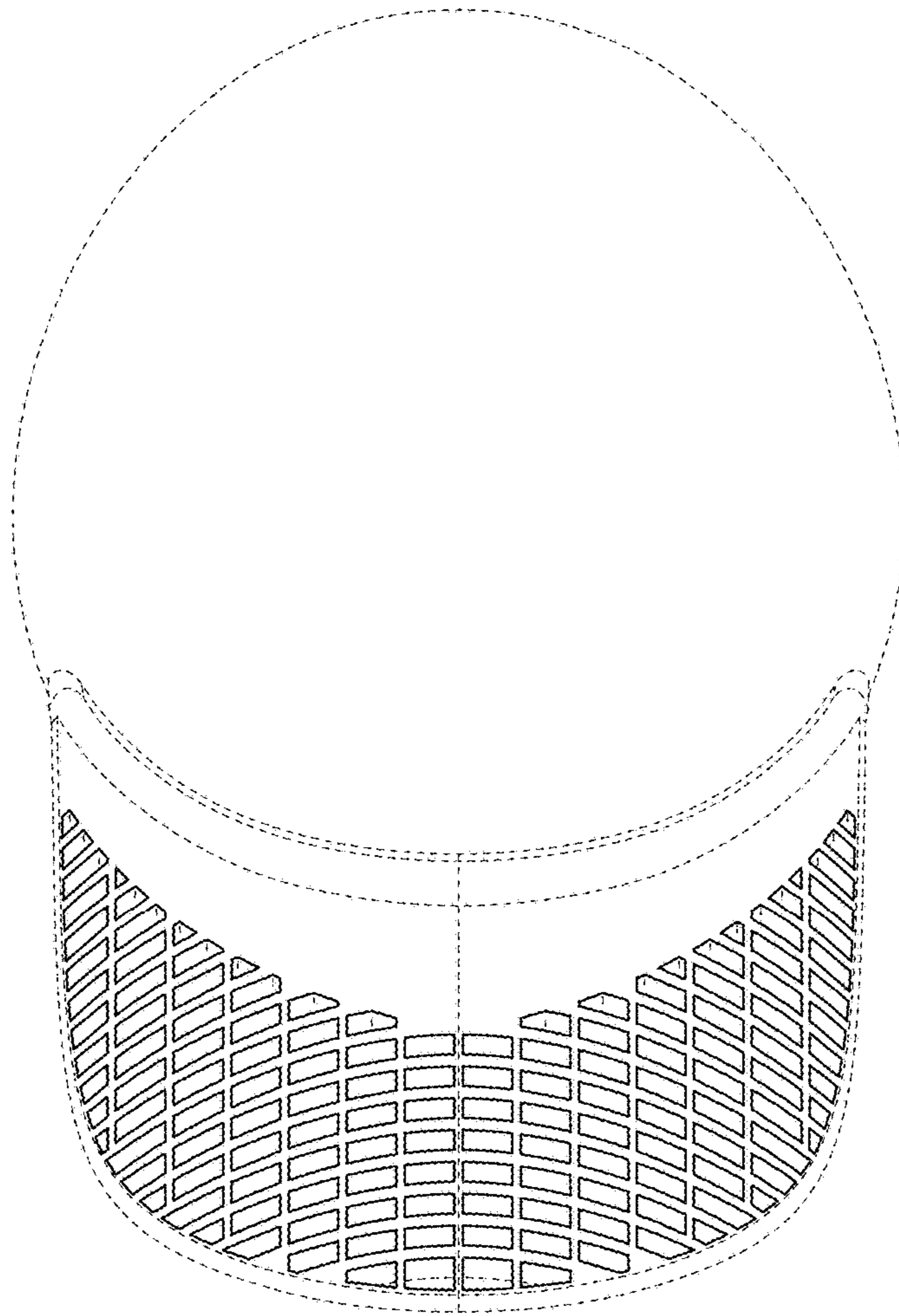


FIG. 7

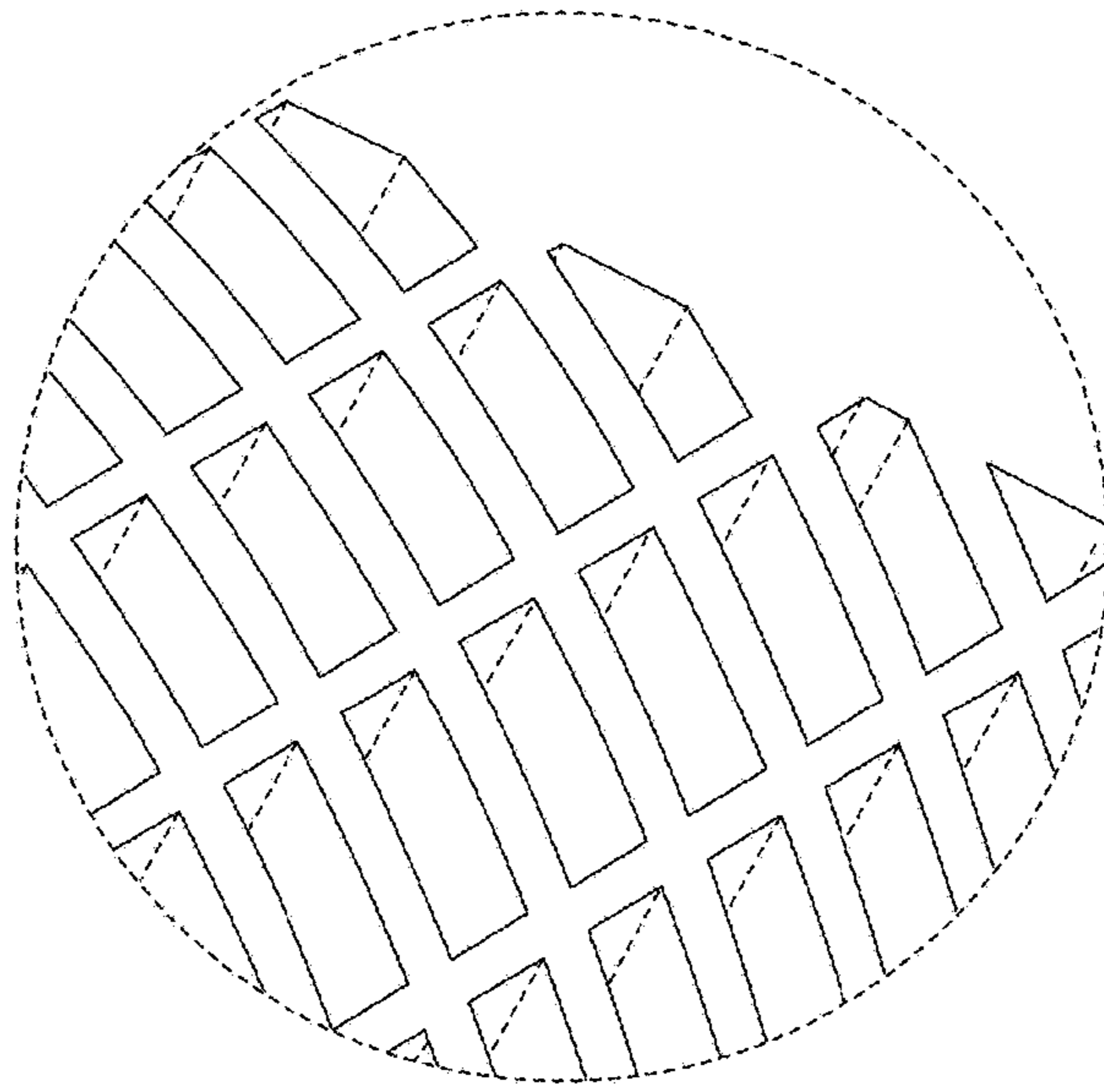


FIG. 8