



US00D855936S

(12) **United States Design Patent** (10) **Patent No.:** **US D855,936 S**
Genender et al. (45) **Date of Patent:** **** Aug. 13, 2019**

(54) **DISPOSABLE GOWN**

(71) Applicant: **Medline Industries, Inc.**, Northfield, IL (US)

(72) Inventors: **Alan Genender**, Northbrook, IL (US);
Audrey Putnam, Chicago, IL (US)

(73) Assignee: **Medline Industries, Inc.**, Northfield, IL (US)

(**) Term: **15 Years**

(21) Appl. No.: **29/606,267**

(22) Filed: **Jun. 2, 2017**

(51) **LOC (12) Cl.** **02-01**

(52) **U.S. Cl.**
USPC **D2/720**

(58) **Field of Classification Search**
USPC D2/720, 718, 717, 728, 739, 749-751,
D2/840-842, 847-850

(Continued)

(56) **References Cited**

U.S. PATENT DOCUMENTS

3,729,747 A * 5/1973 Belkin A41D 13/1209
2/114

D533,982 S * 12/2006 Graneto, III D2/720

(Continued)

Primary Examiner — Michelle E. Wilson

Assistant Examiner — Clese Moore, Jr.

(74) *Attorney, Agent, or Firm* — Philip H. Burns, IV

(57) **CLAIM**

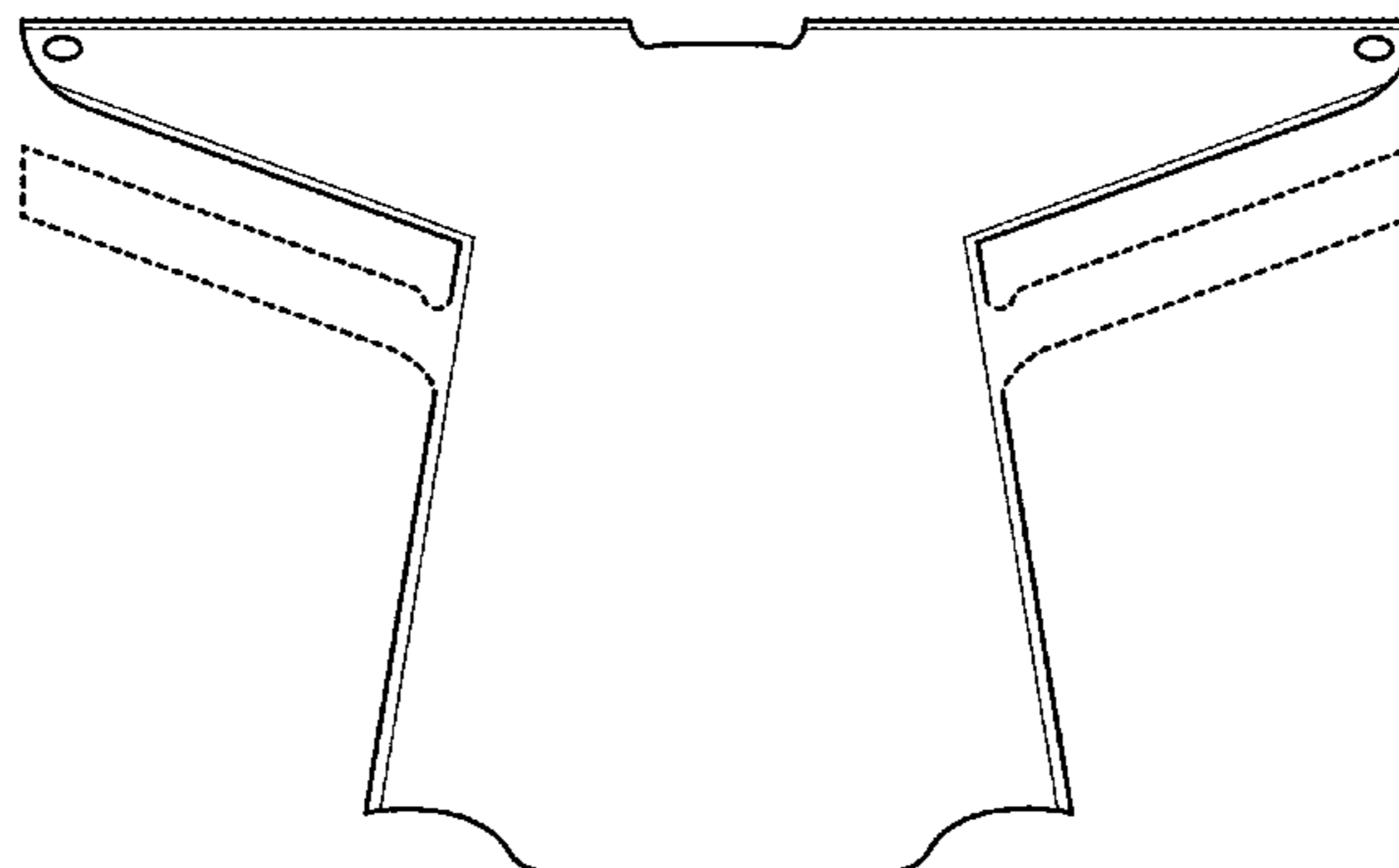
The ornamental design for a disposable gown, as shown and described.

DESCRIPTION

FIG. 1 is a front elevation view of a first embodiment of a disposable gown illustrating my new design;

FIG. 2 is a rear elevation view thereof;
FIG. 3 illustrates the first embodiment of the disposable gown being worn in an untied state; and
FIG. 4 illustrates the first embodiment of the disposable gown being worn in a tied state.
FIG. 5 is a front elevation view of a second embodiment of a disposable gown illustrating my new design;
FIG. 6 is a rear elevation view thereof;
FIG. 7 illustrates the second embodiment of the disposable gown being worn in an untied state; and
FIG. 8 illustrates the second embodiment of the disposable gown being worn in a tied state.
FIG. 9 is a front elevation view of a third embodiment of a disposable gown illustrating my new design;
FIG. 10 is a rear elevation view thereof;
FIG. 11 illustrates the third embodiment of the disposable gown being worn in an untied state; and
FIG. 12 illustrates the third embodiment of the disposable gown being worn in a tied state.
FIG. 13 is a front elevation view of a fourth embodiment of a disposable gown illustrating my new design;
FIG. 14 is a rear elevation view thereof;
FIG. 15 illustrates the fourth embodiment of the disposable gown being worn in an untied state; and
FIG. 16 illustrates the fourth embodiment of the disposable gown being worn in a tied state.
FIG. 17 is a front elevation view of a fifth embodiment of a disposable gown illustrating my new design;
FIG. 18 is a rear elevation view thereof;
FIG. 19 illustrates the fifth embodiment of the disposable gown being worn in an untied state; and
FIG. 20 illustrates the fifth embodiment of the disposable gown being worn in a tied state.
FIG. 21 is a front elevation view of a sixth embodiment of a disposable gown illustrating my new design;
FIG. 22 is a rear elevation view thereof;
FIG. 23 illustrates the sixth embodiment of the disposable gown being worn in an untied state; and,
FIG. 24 illustrates the sixth embodiment of the disposable gown being worn in a tied state.
The dashed line between the neck and the opening along the back of the gown is a perforation. All other broken lines represent unclaimed portions of the article and form no part of the claimed design.

1 Claim, 24 Drawing Sheets



(58) **Field of Classification Search**
CPC A41D 13/1236; A41D 13/1245; A41D
13/1254; A41D 13/12
See application file for complete search history.

(56) **References Cited**

U.S. PATENT DOCUMENTS

D598,638 S * 8/2009 Graneto, III D2/720
D618,884 S * 7/2010 Zhu A41D 13/1209
D2/720
D687,209 S * 8/2013 Levine D2/720
D736,493 S * 8/2015 Pasko A41D 13/129
D2/720
D741,044 S * 10/2015 Pasko D2/720
D779,155 S * 2/2017 Pasko D2/720
D785,284 S * 5/2017 Pasko D2/720
2001/0032346 A1* 10/2001 Matsushita A41D 13/1209
2/83

2001/0034891 A1* 11/2001 Matsushita A41D 13/1209
2/141.1
2005/0044608 A1* 3/2005 Ambrose A41D 13/1209
2/114
2009/0165186 A1* 7/2009 Mijares A41D 13/1236
2/83
2013/0091615 A1* 4/2013 Pasko A41D 13/12
2/114
2013/0191960 A1* 8/2013 Pasko A41D 13/12
2/114
2013/0318682 A1* 12/2013 Graneto, III A41D 13/1236
2/114
2014/0007316 A1* 1/2014 Tommarello A41D 13/1236
2/114
2015/0135397 A1* 5/2015 Levine A41D 13/1236
2/114
2016/0345644 A1* 12/2016 Reese A41D 13/1209
2016/0345645 A1* 12/2016 Reese A41D 13/1209

* cited by examiner

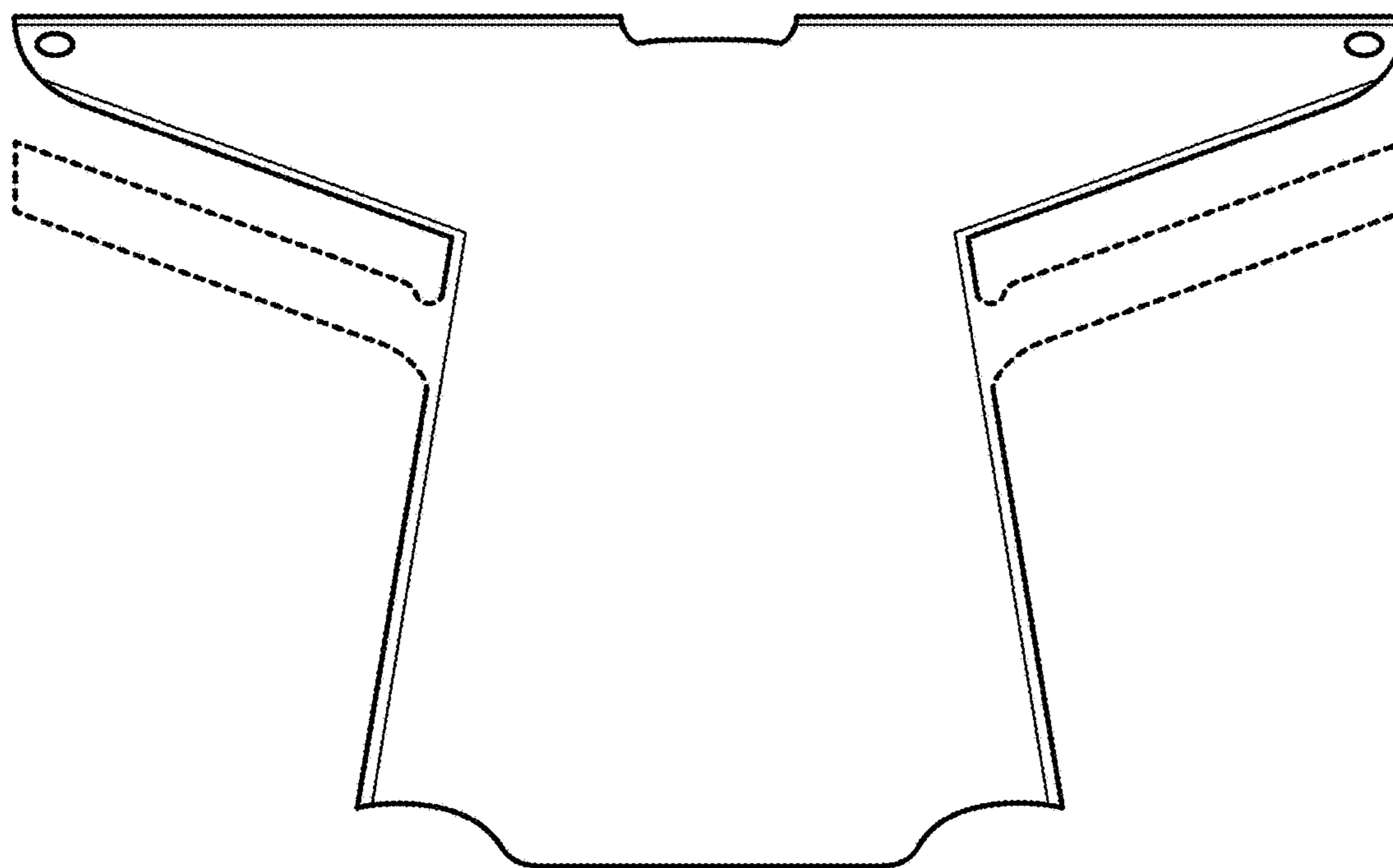


FIG. 1

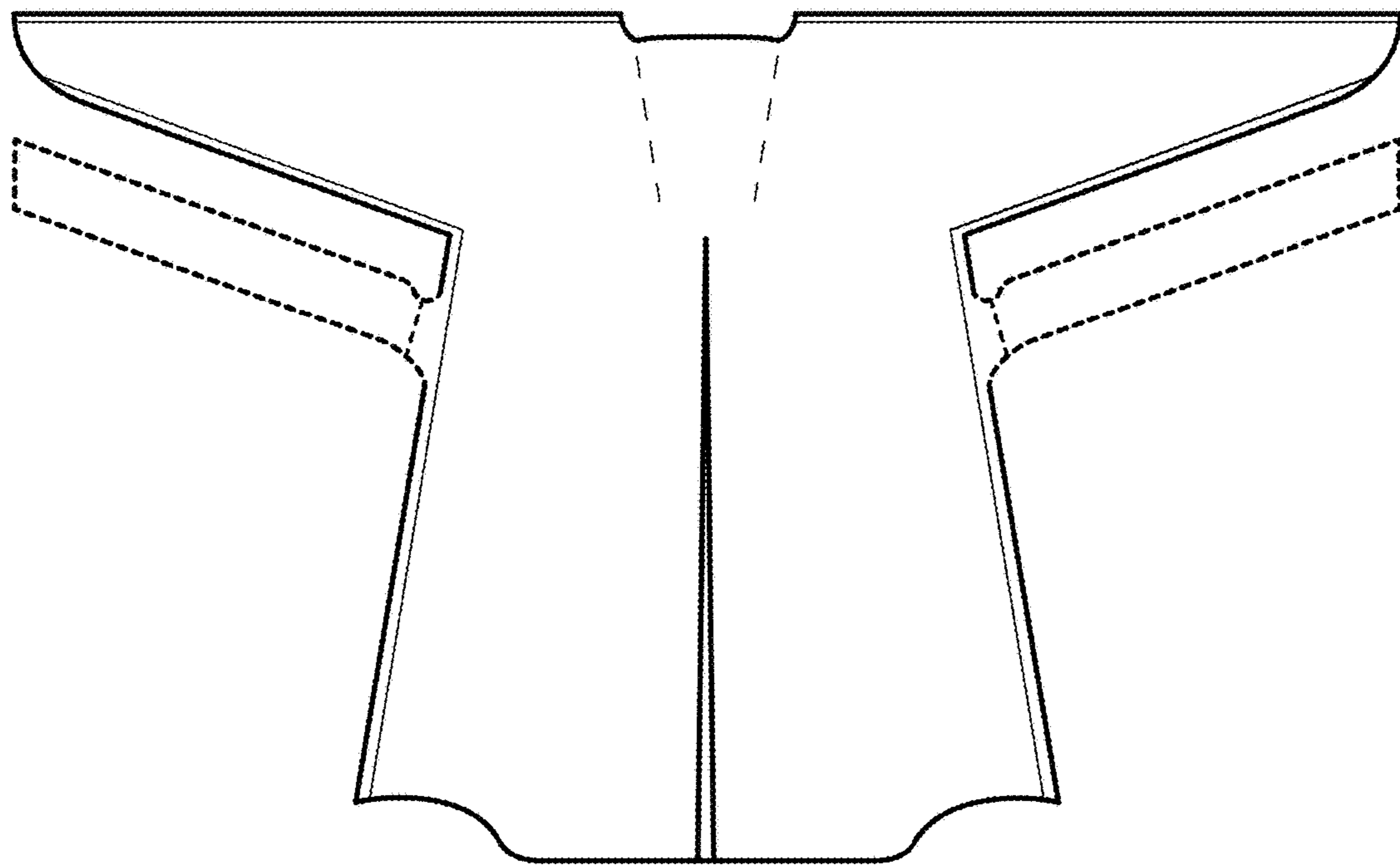


FIG. 2

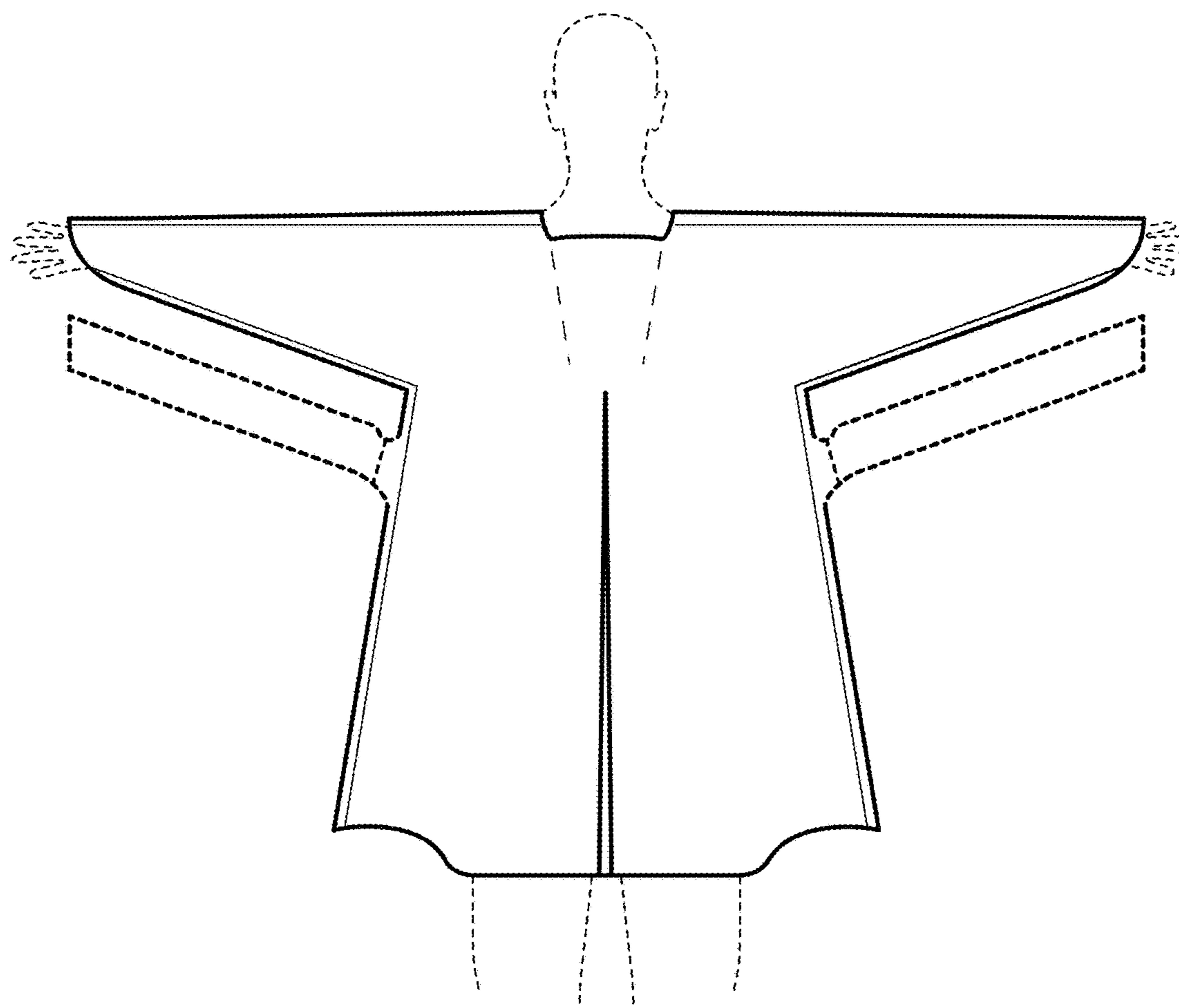


FIG. 3

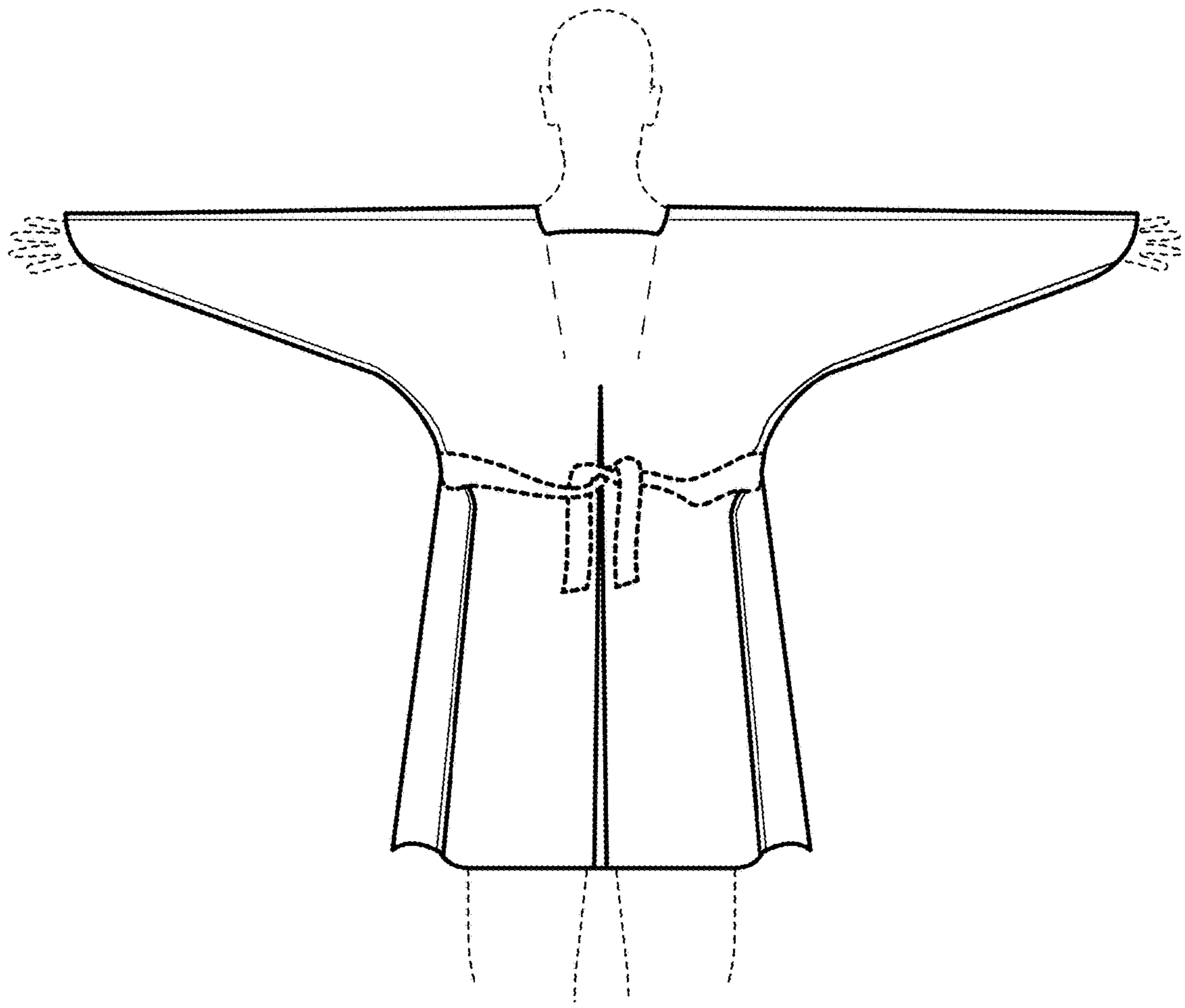


FIG. 4

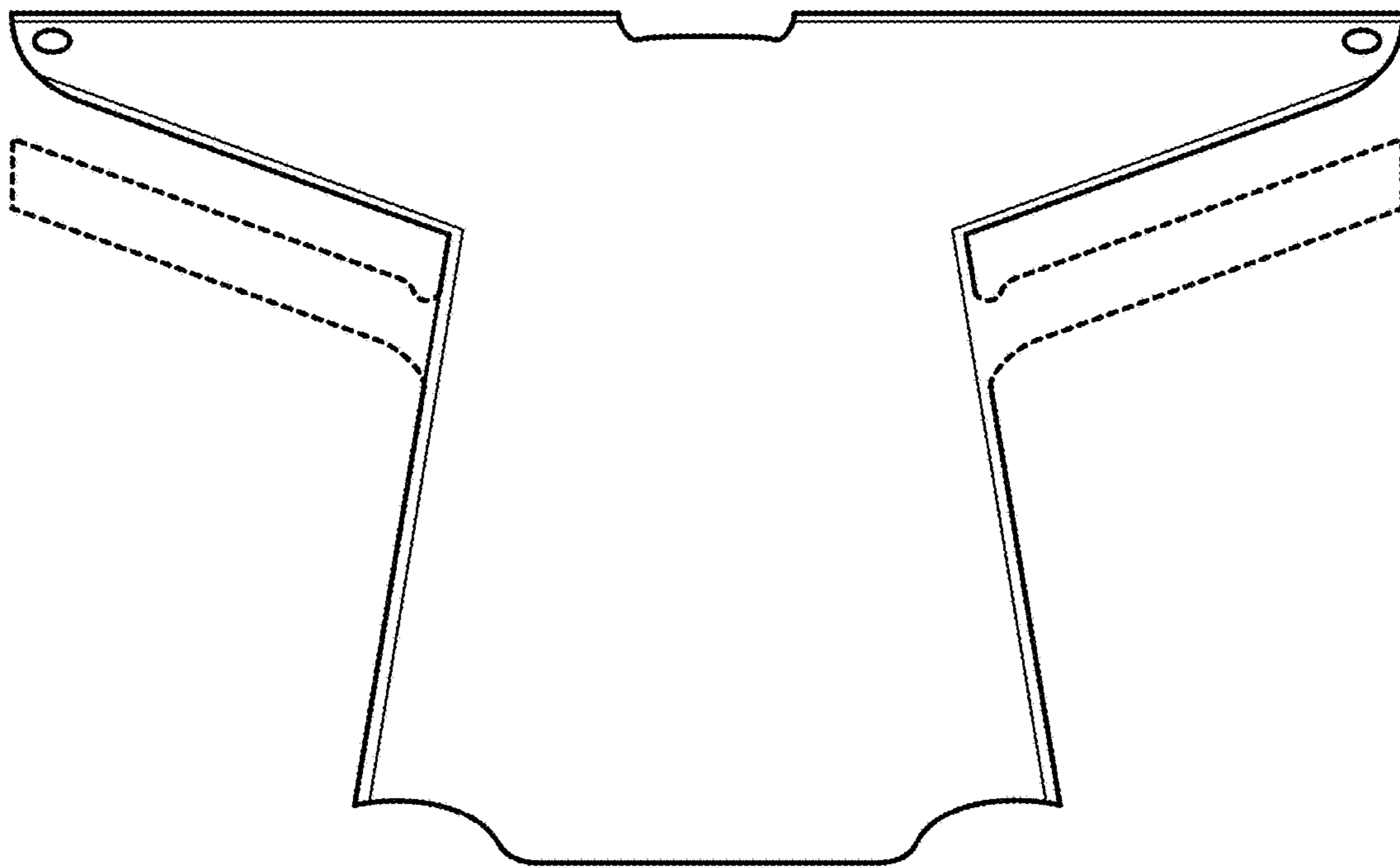


FIG. 5

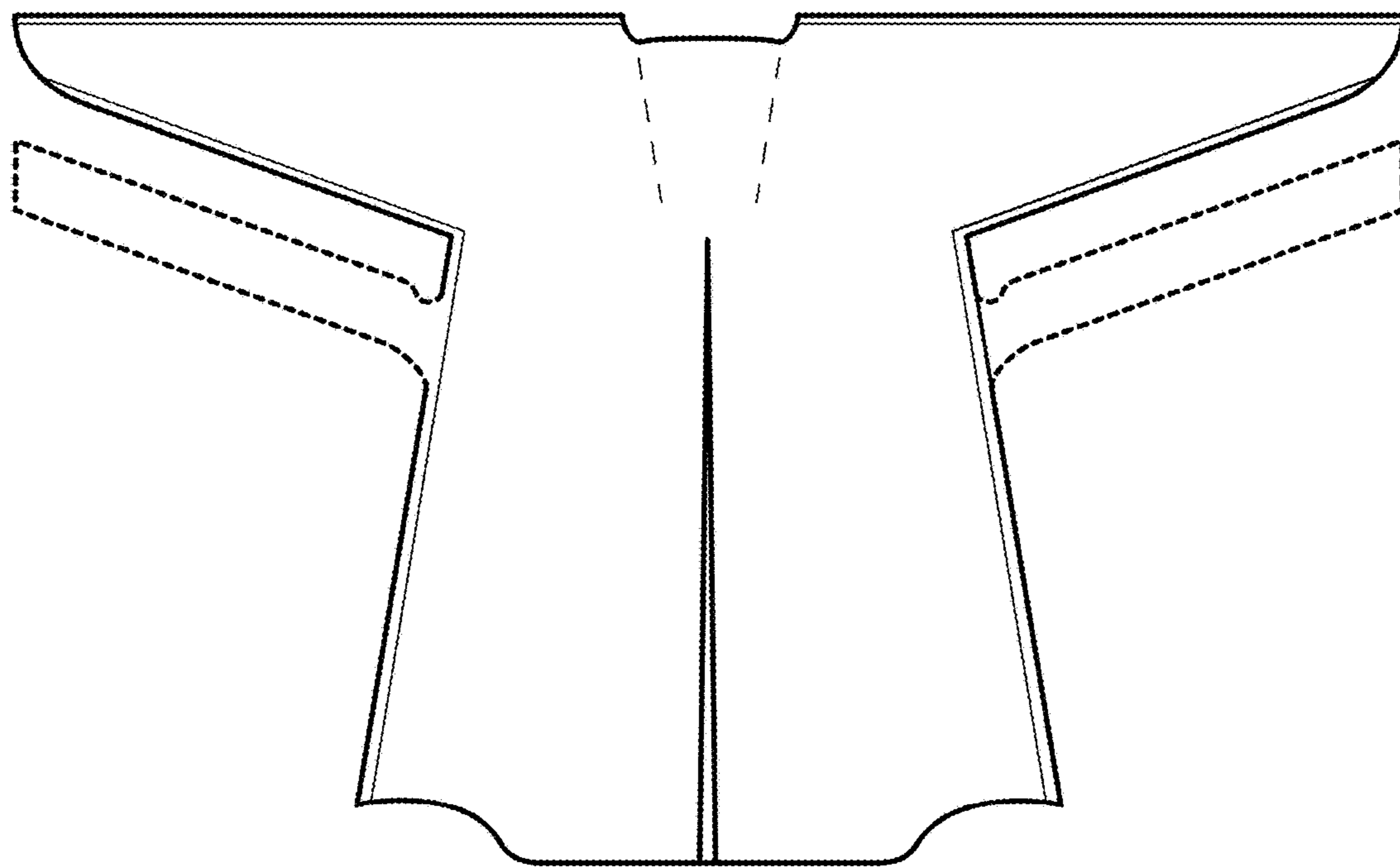


FIG. 6

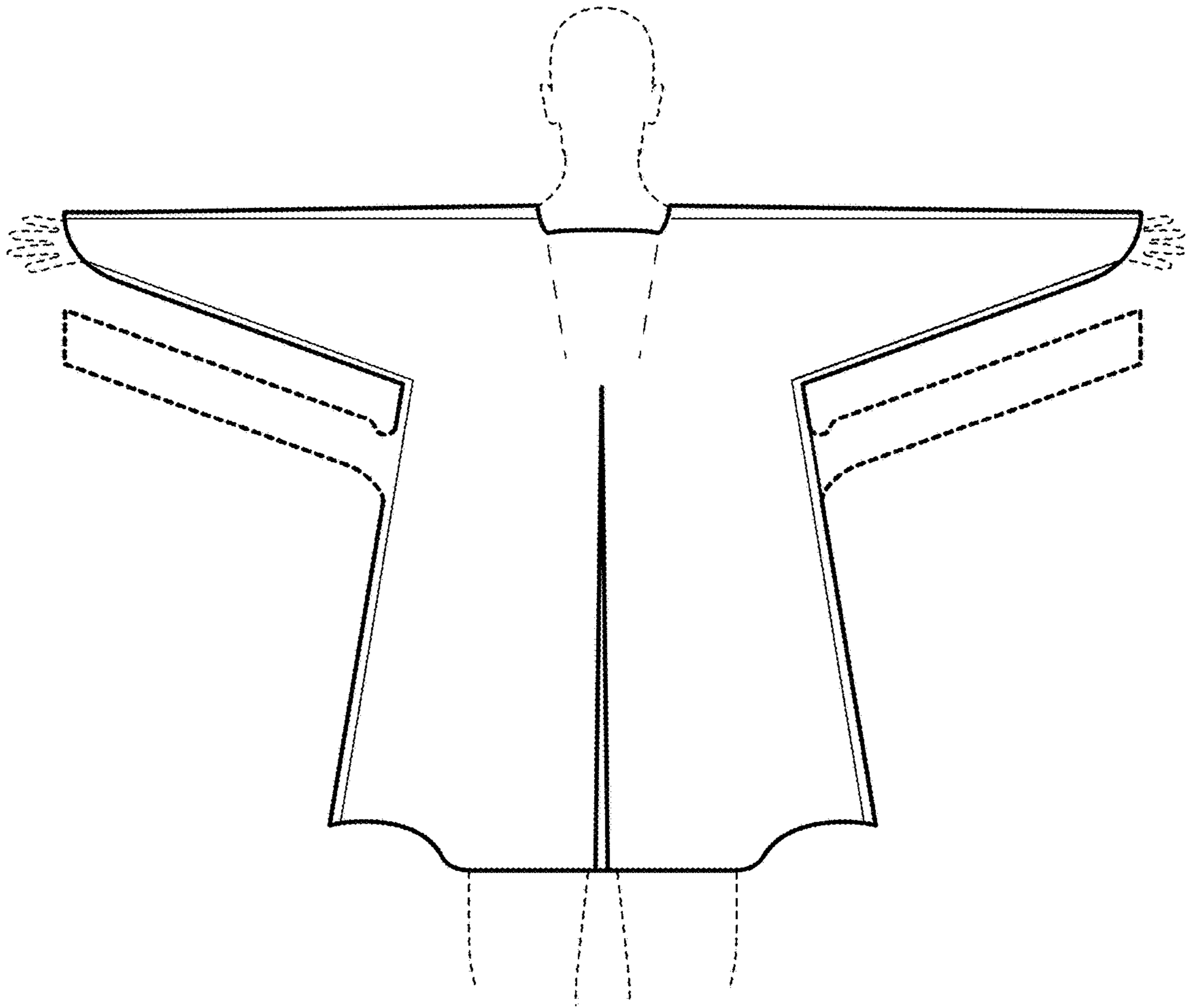


FIG. 7

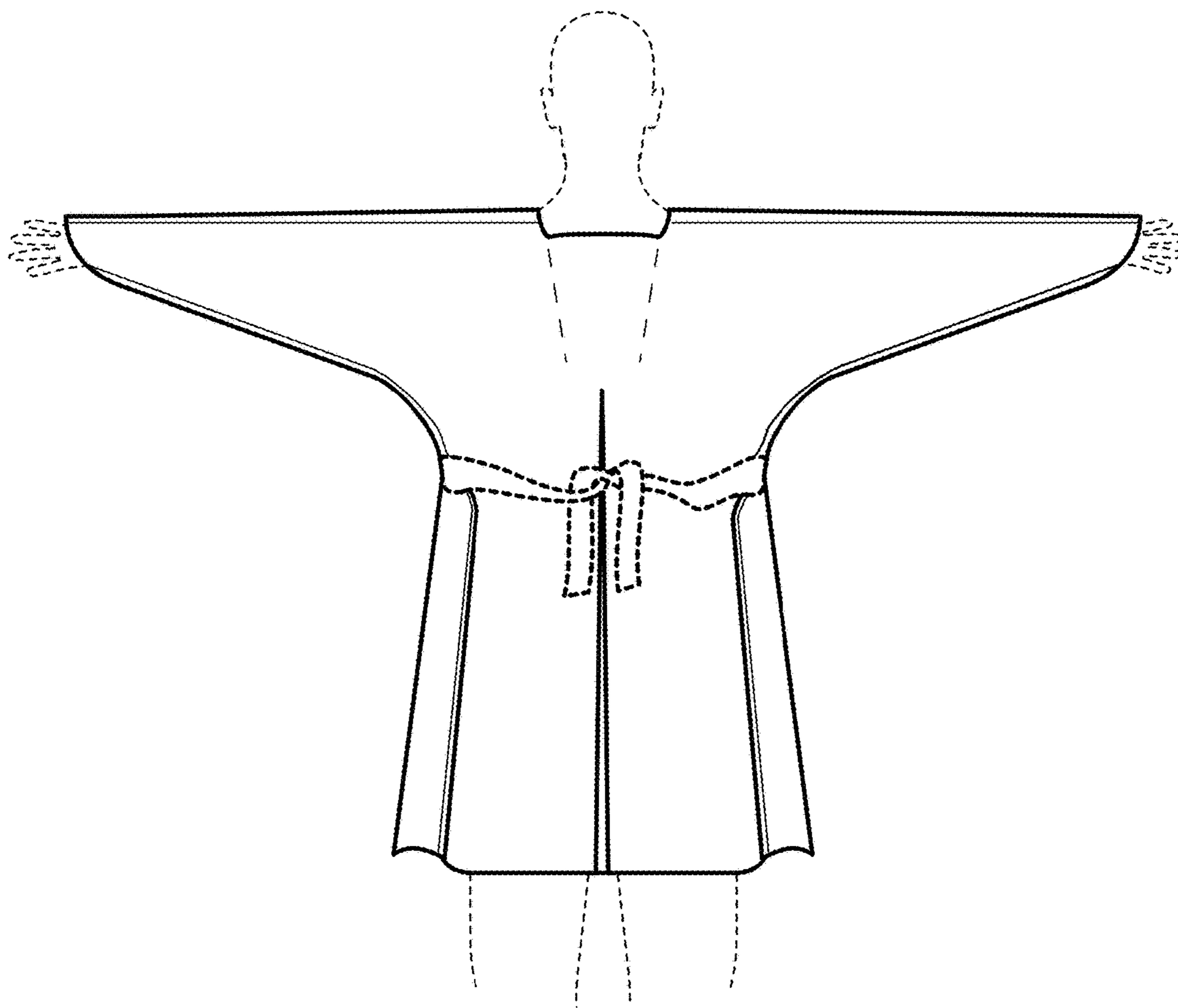


FIG. 8

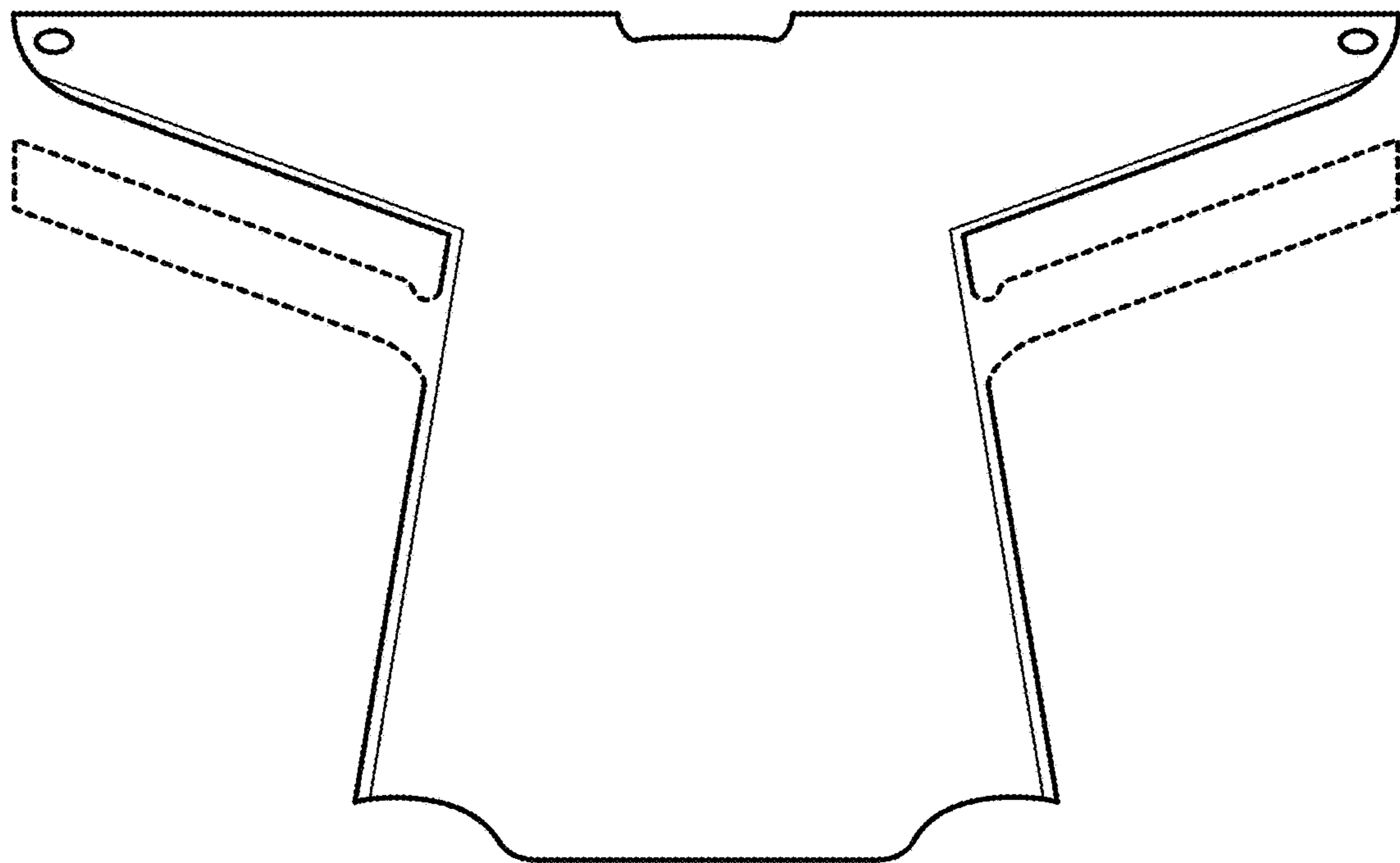


FIG. 9

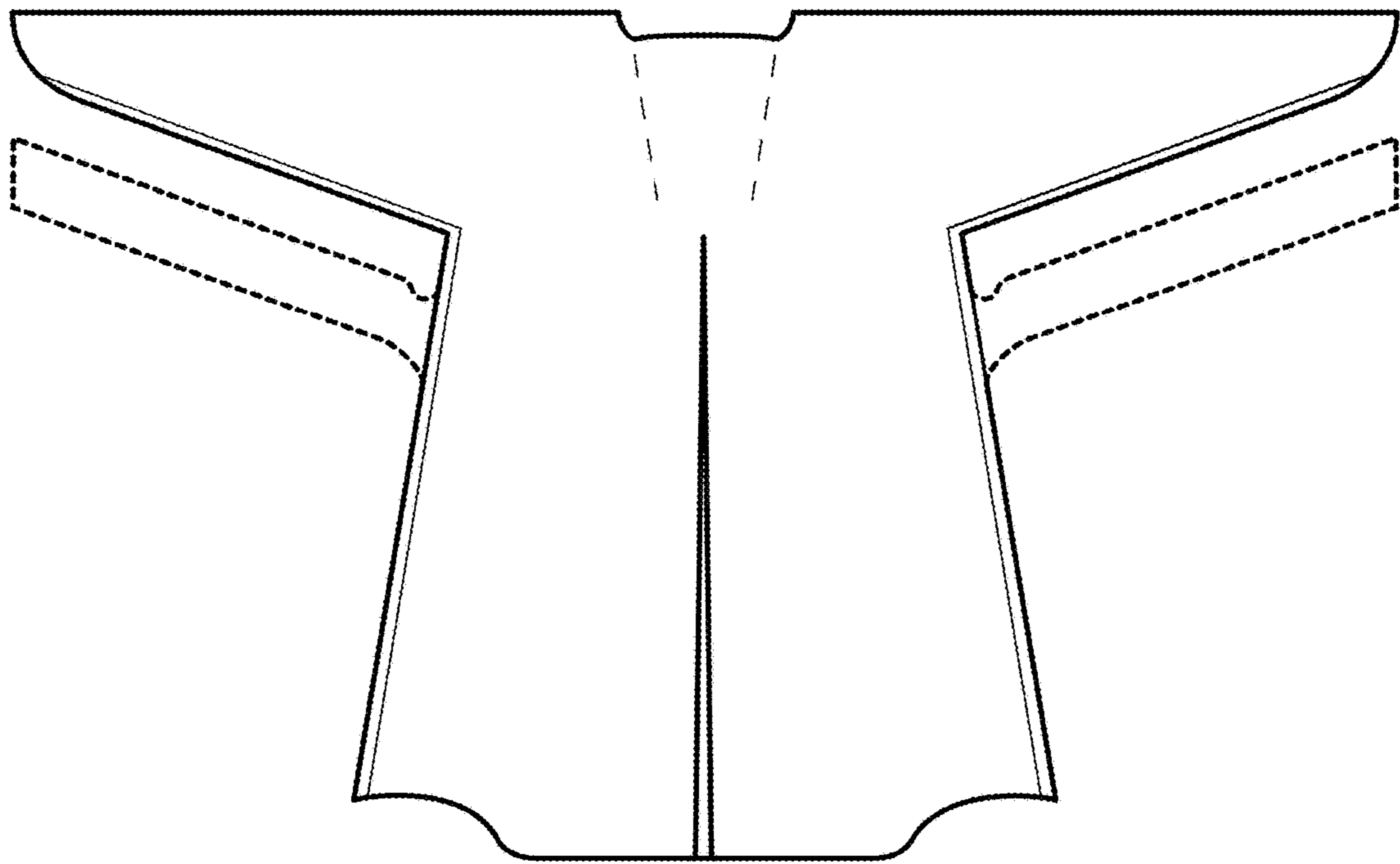


FIG. 10

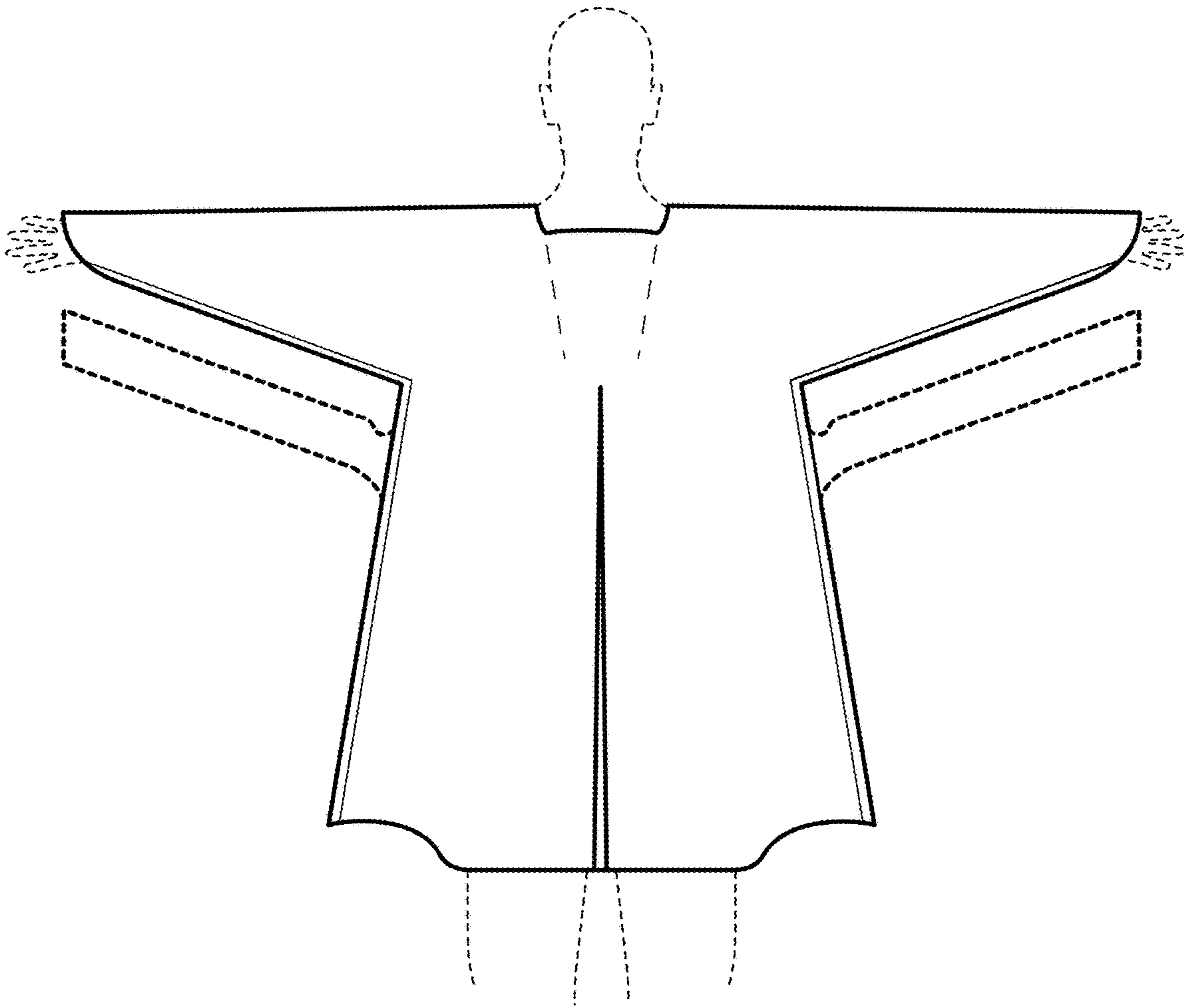


FIG. 11

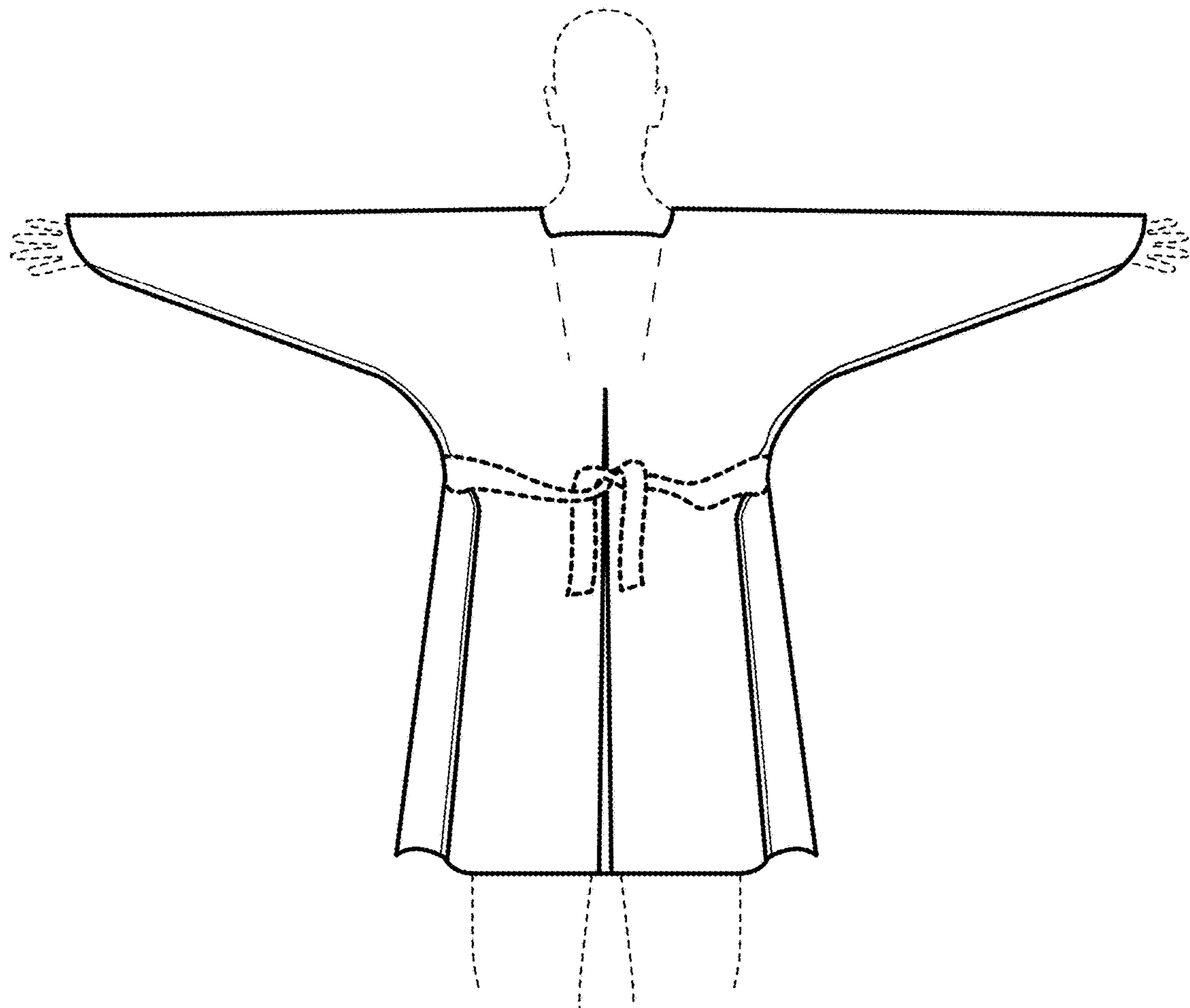


FIG. 12

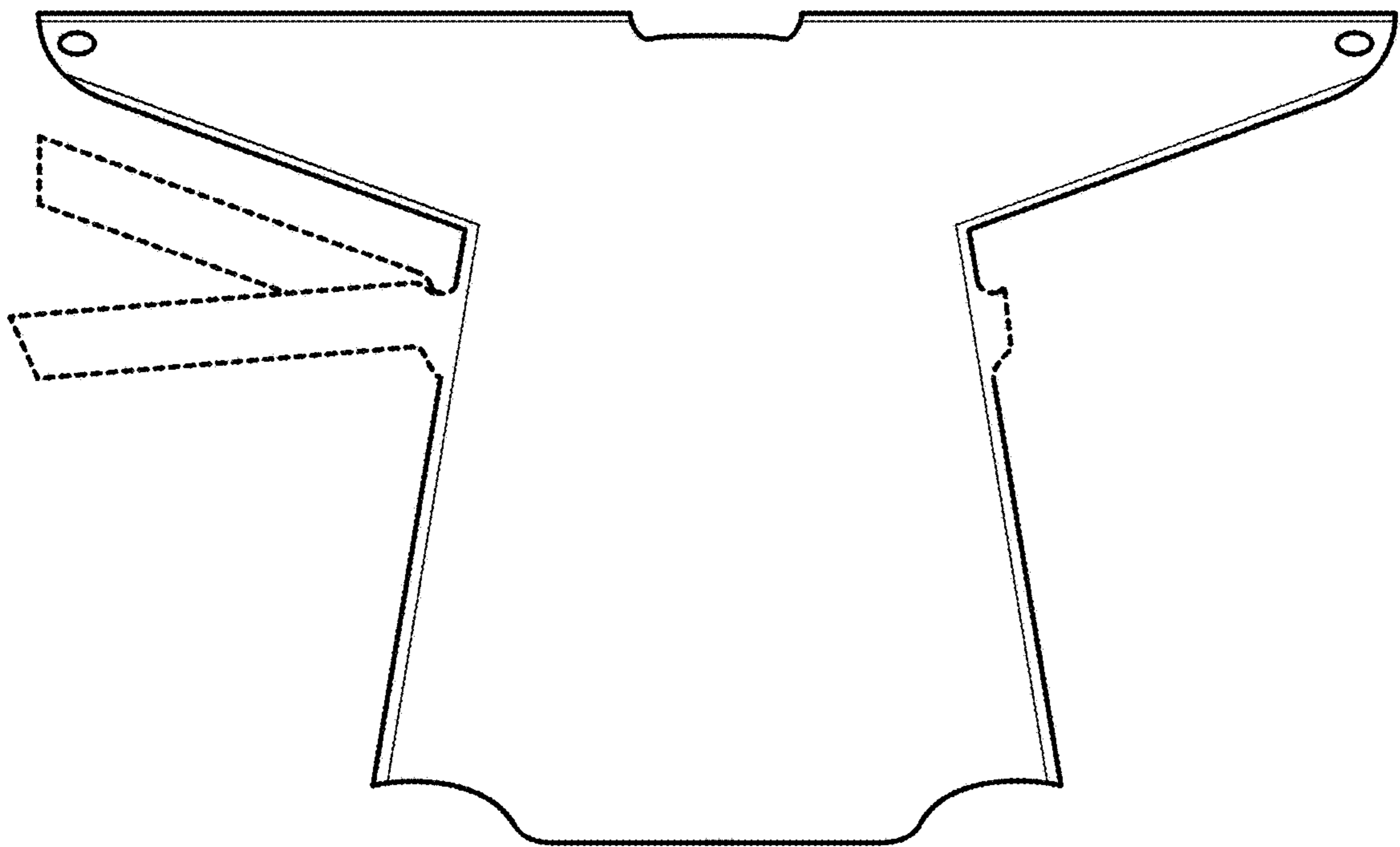


FIG. 13

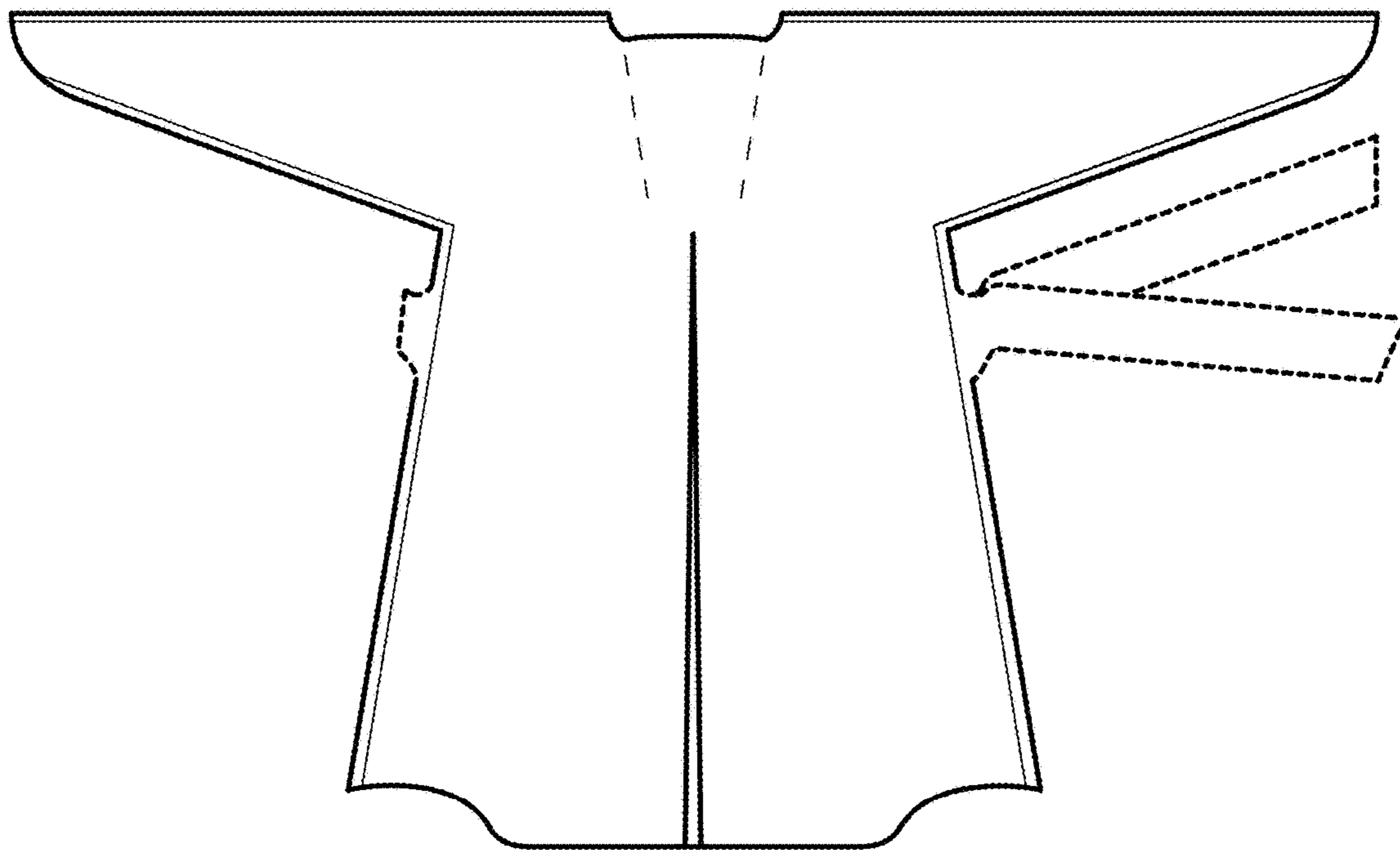


FIG. 14

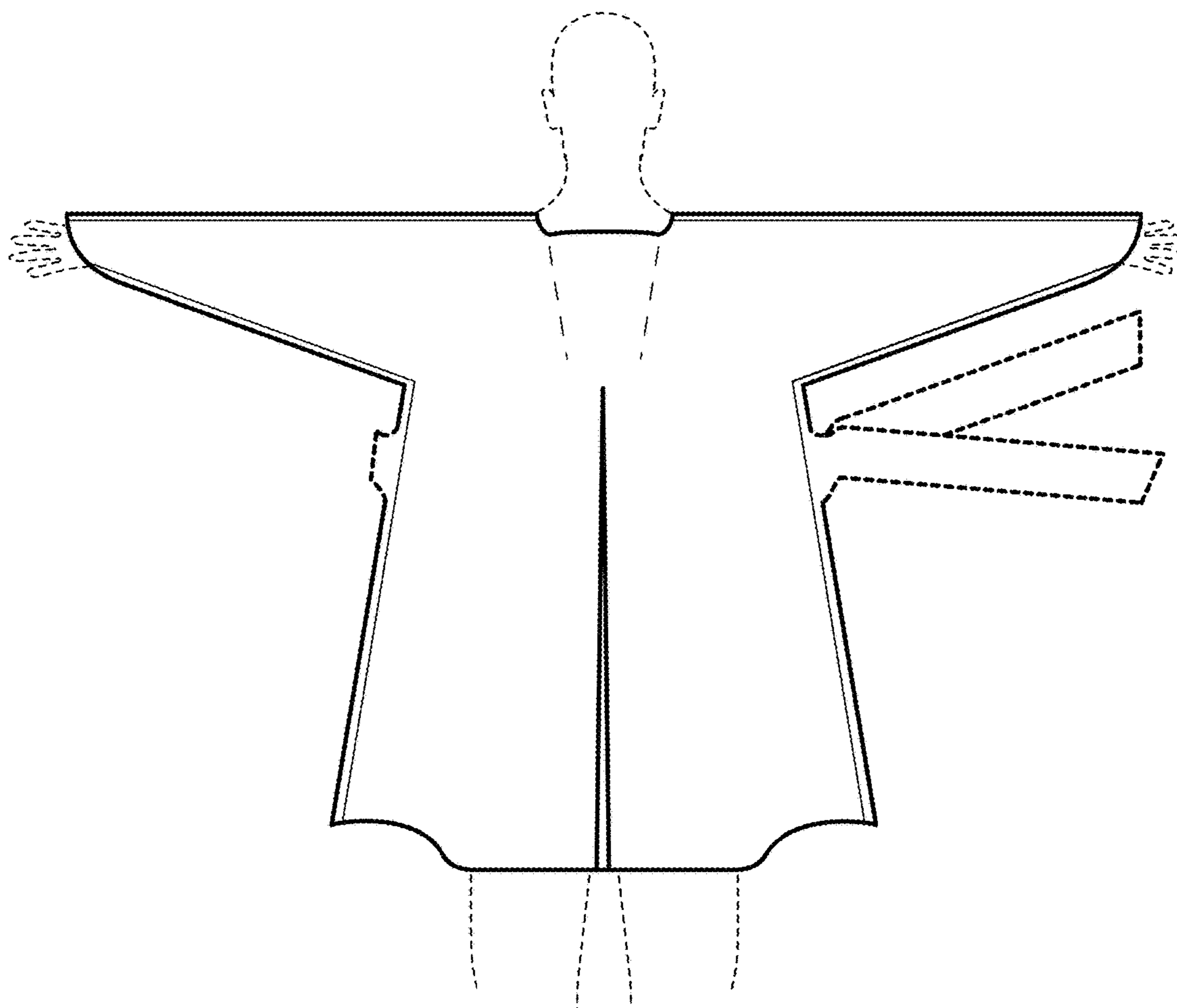


FIG. 15

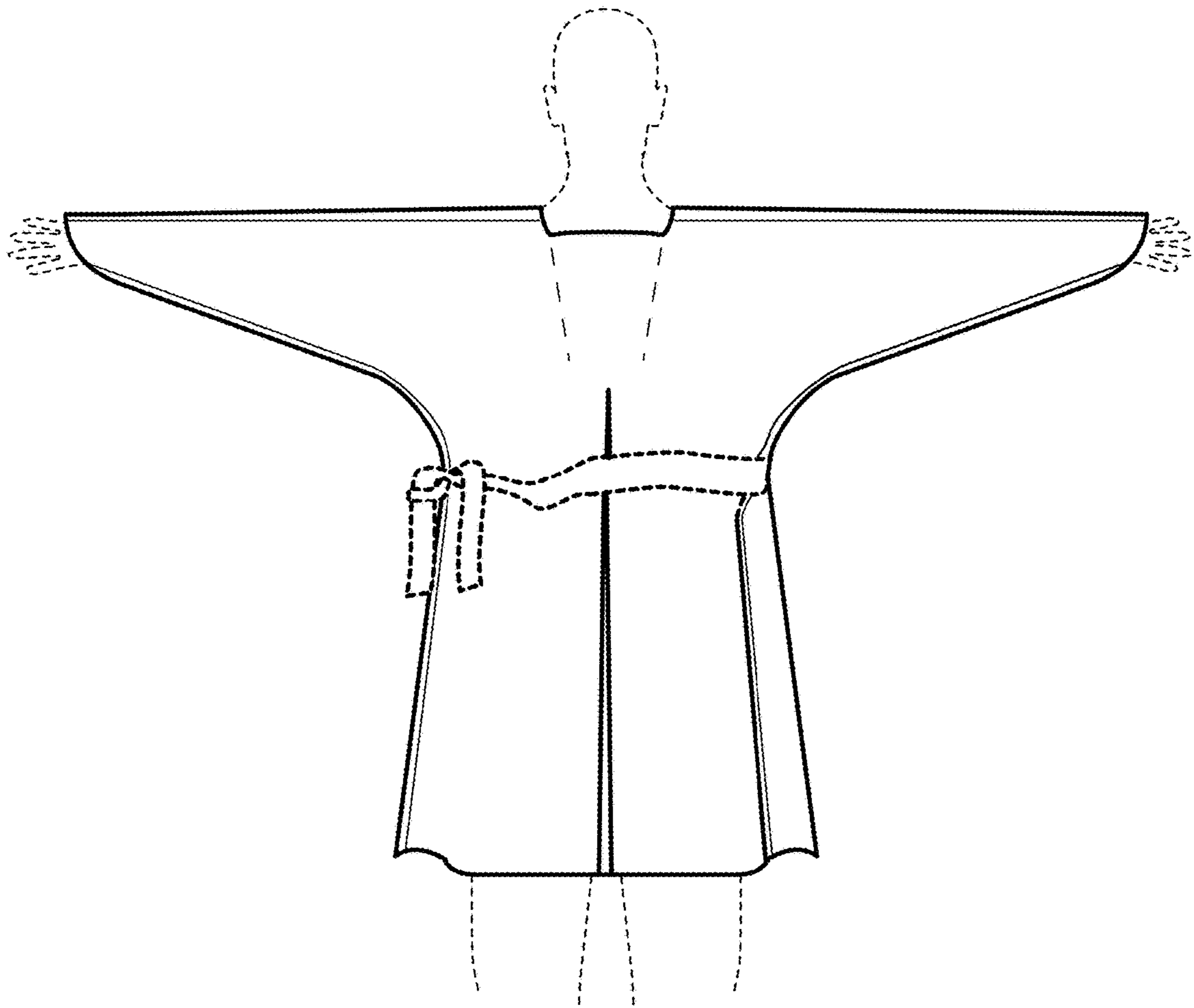


FIG. 16

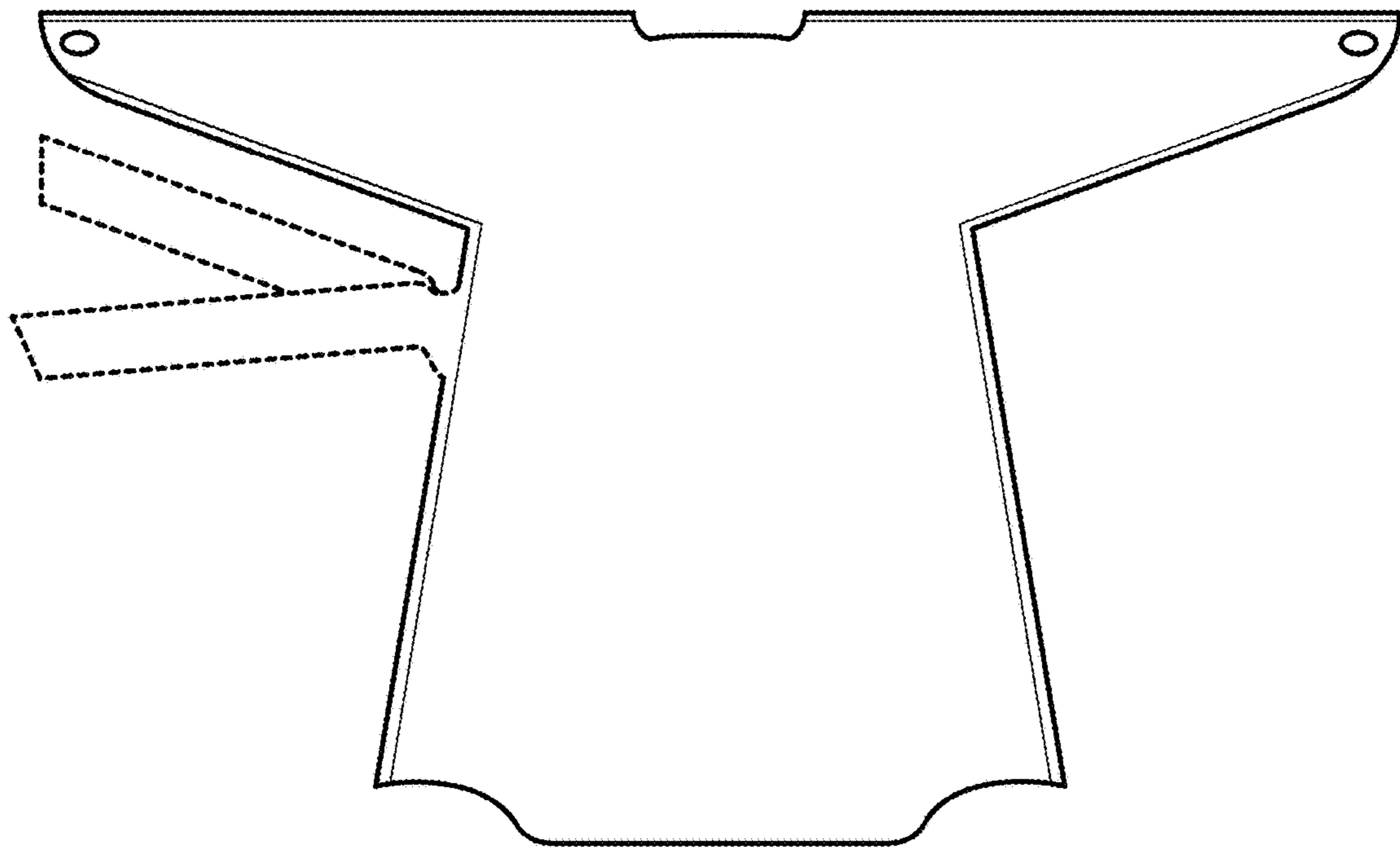


FIG. 17

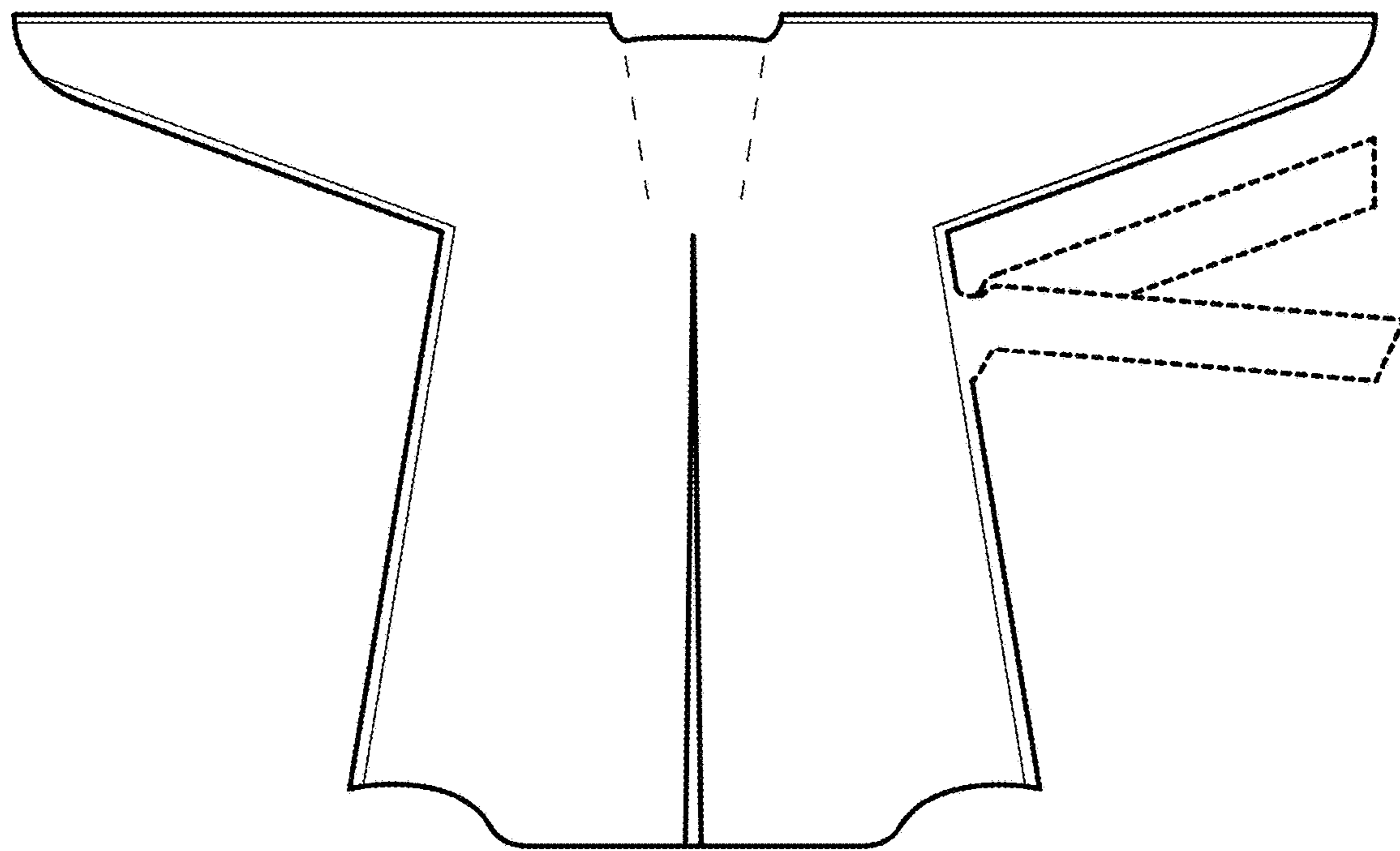


FIG. 18

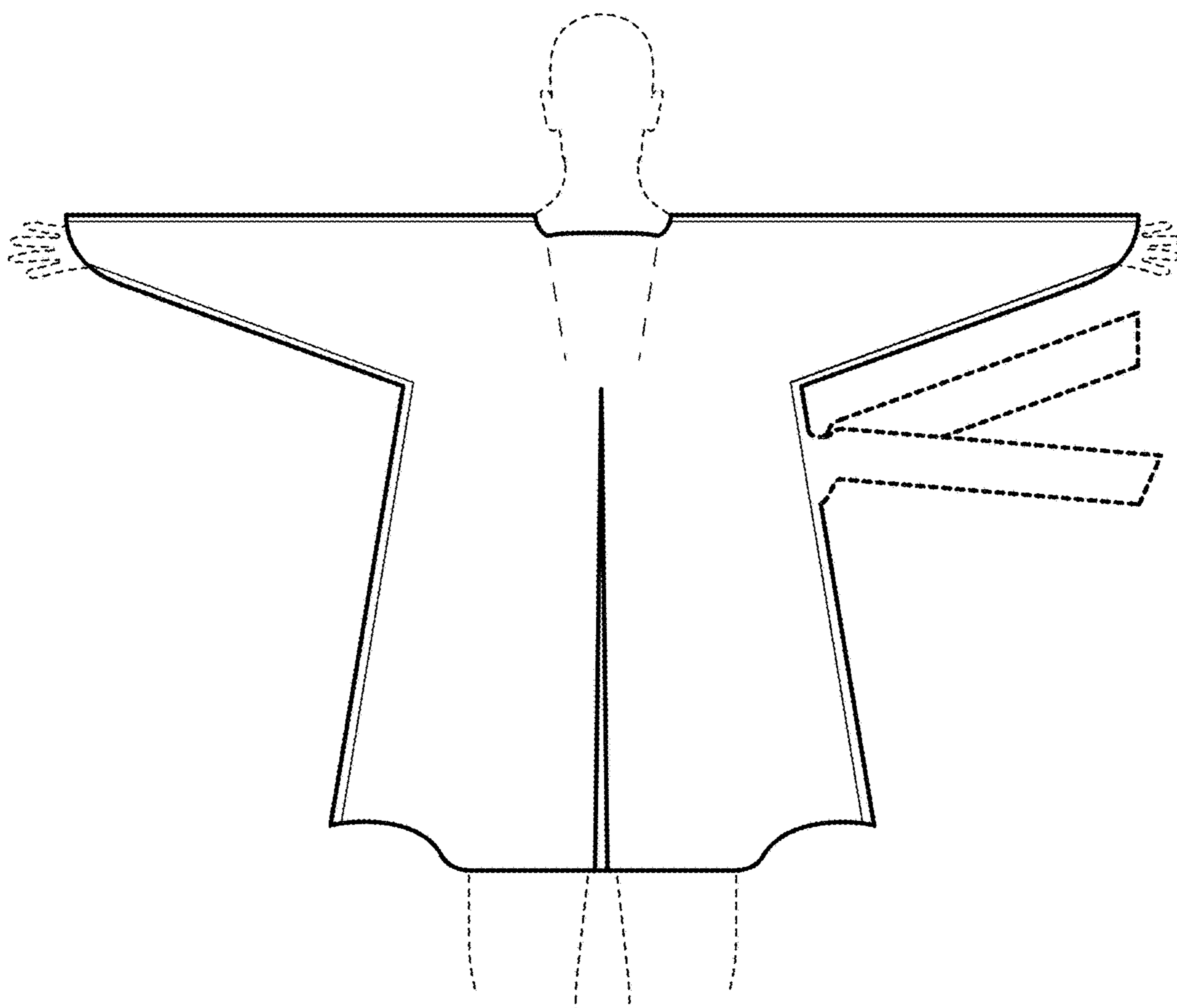


FIG. 19

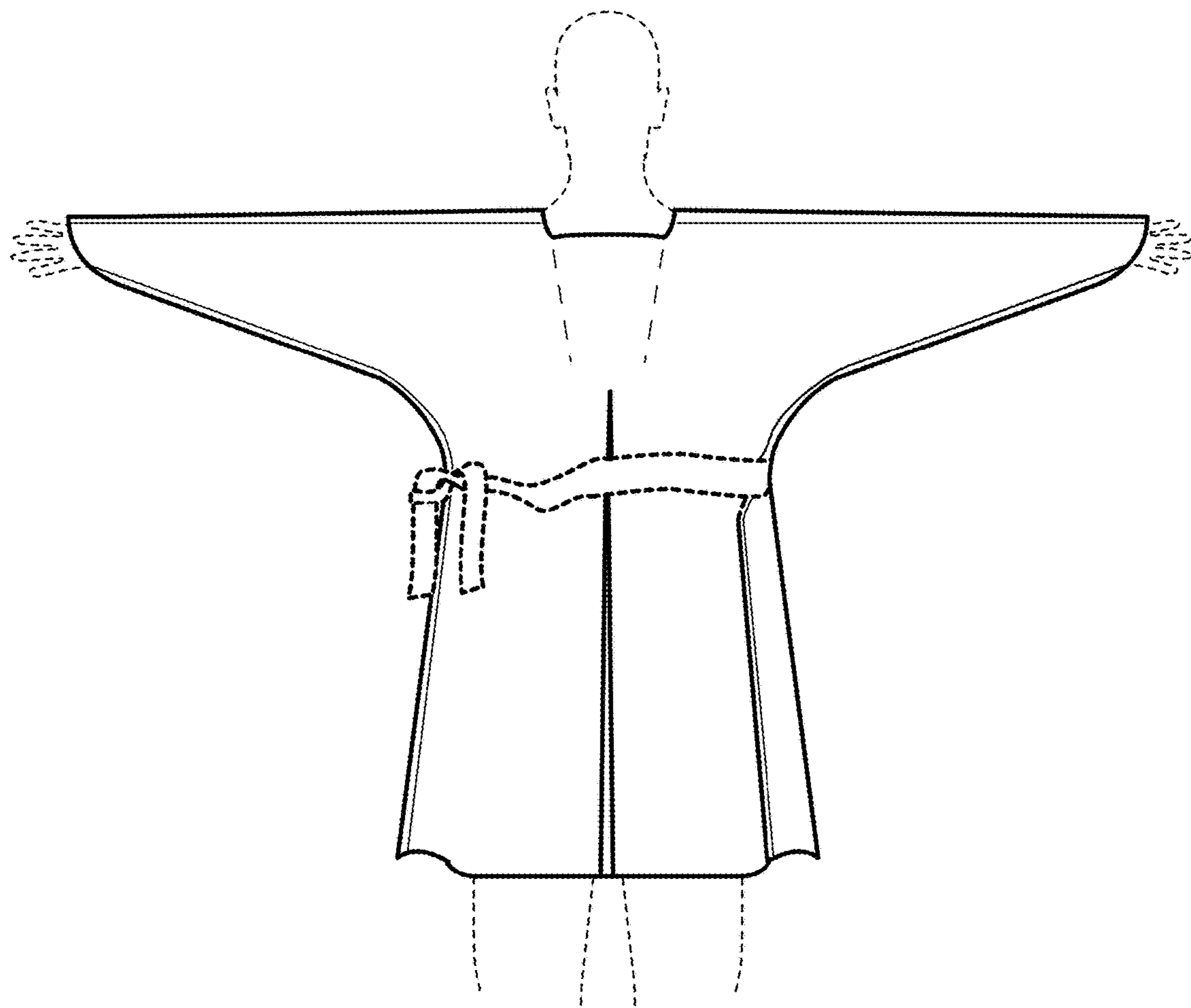


FIG. 20

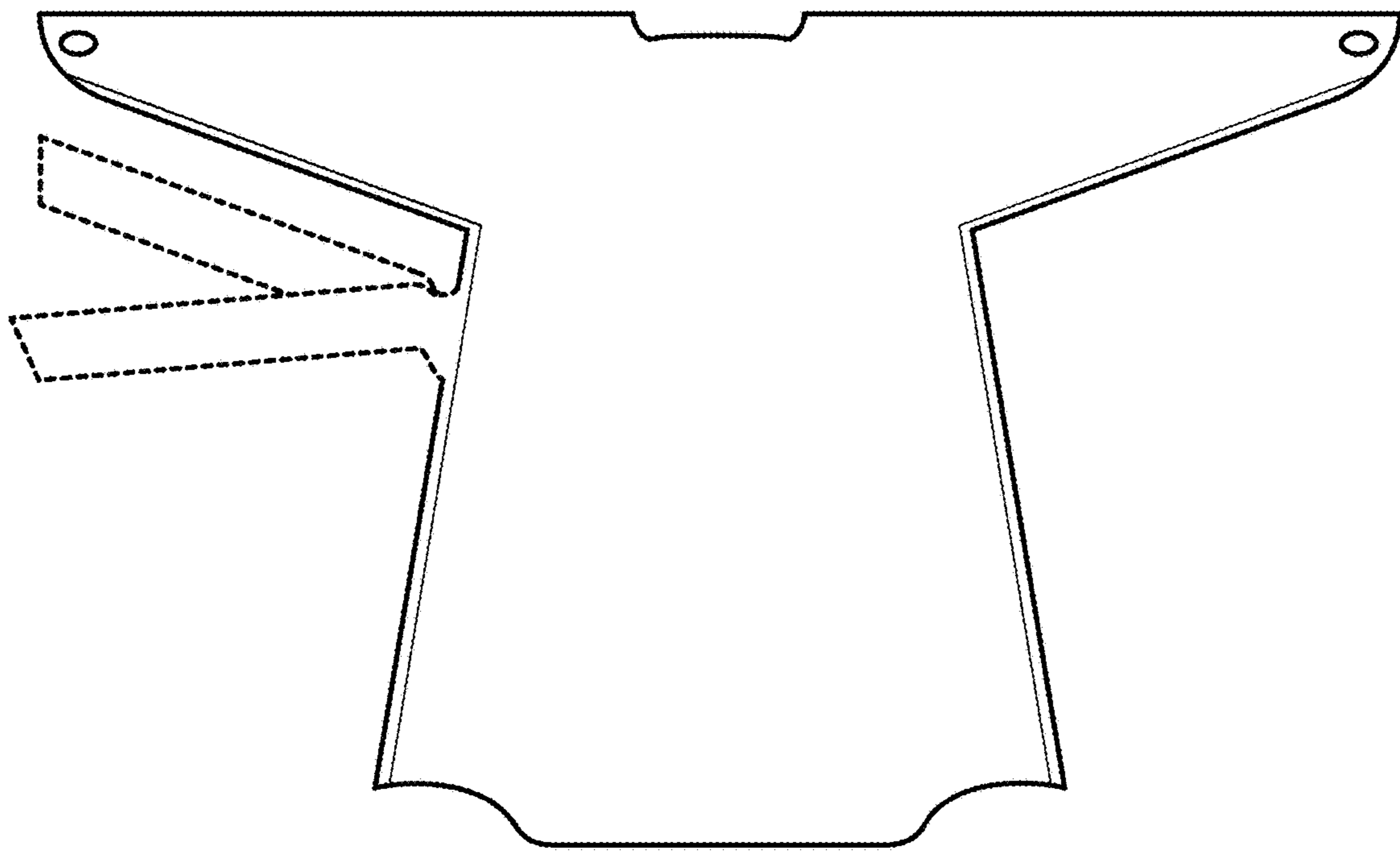


FIG. 21

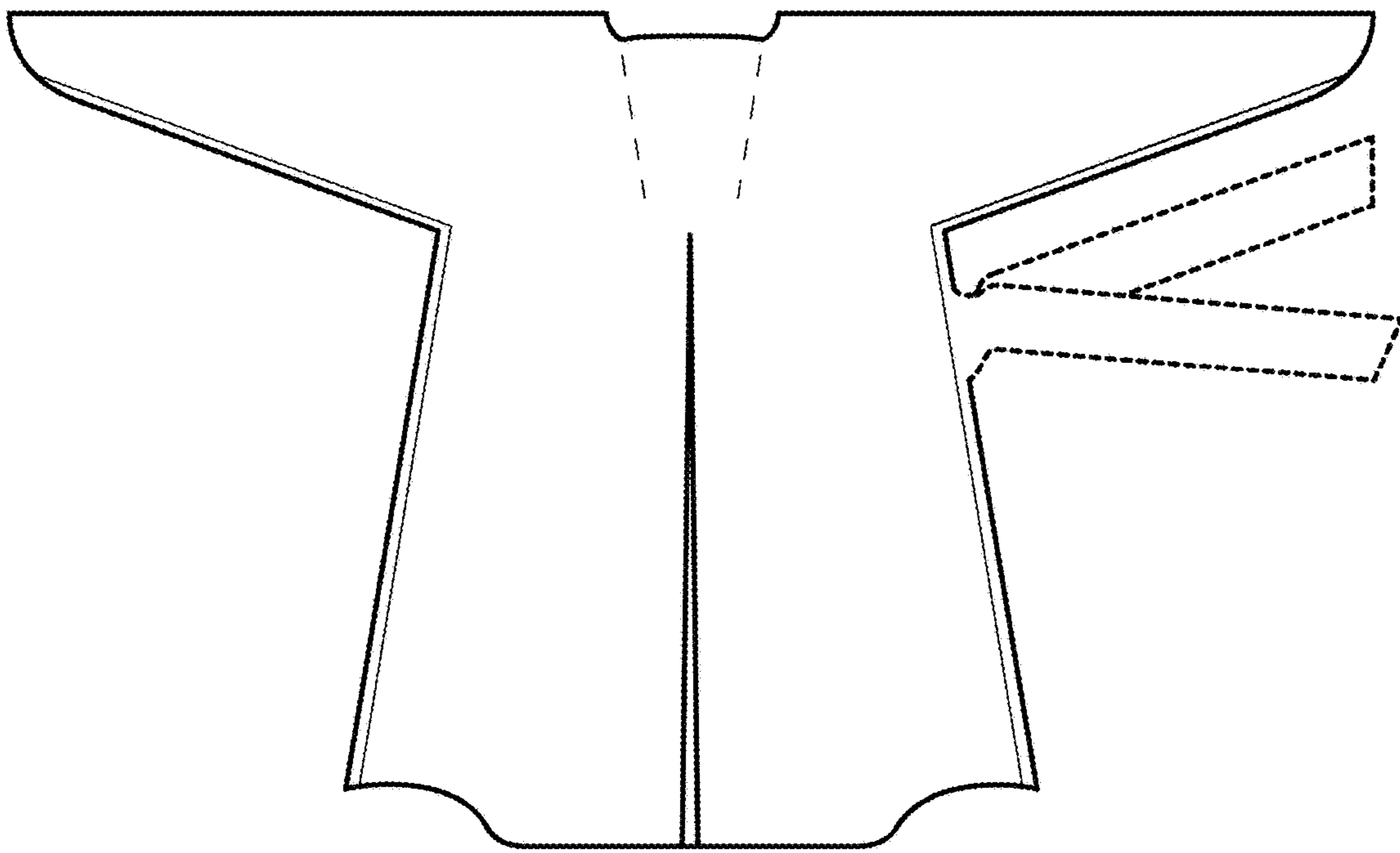


FIG. 22

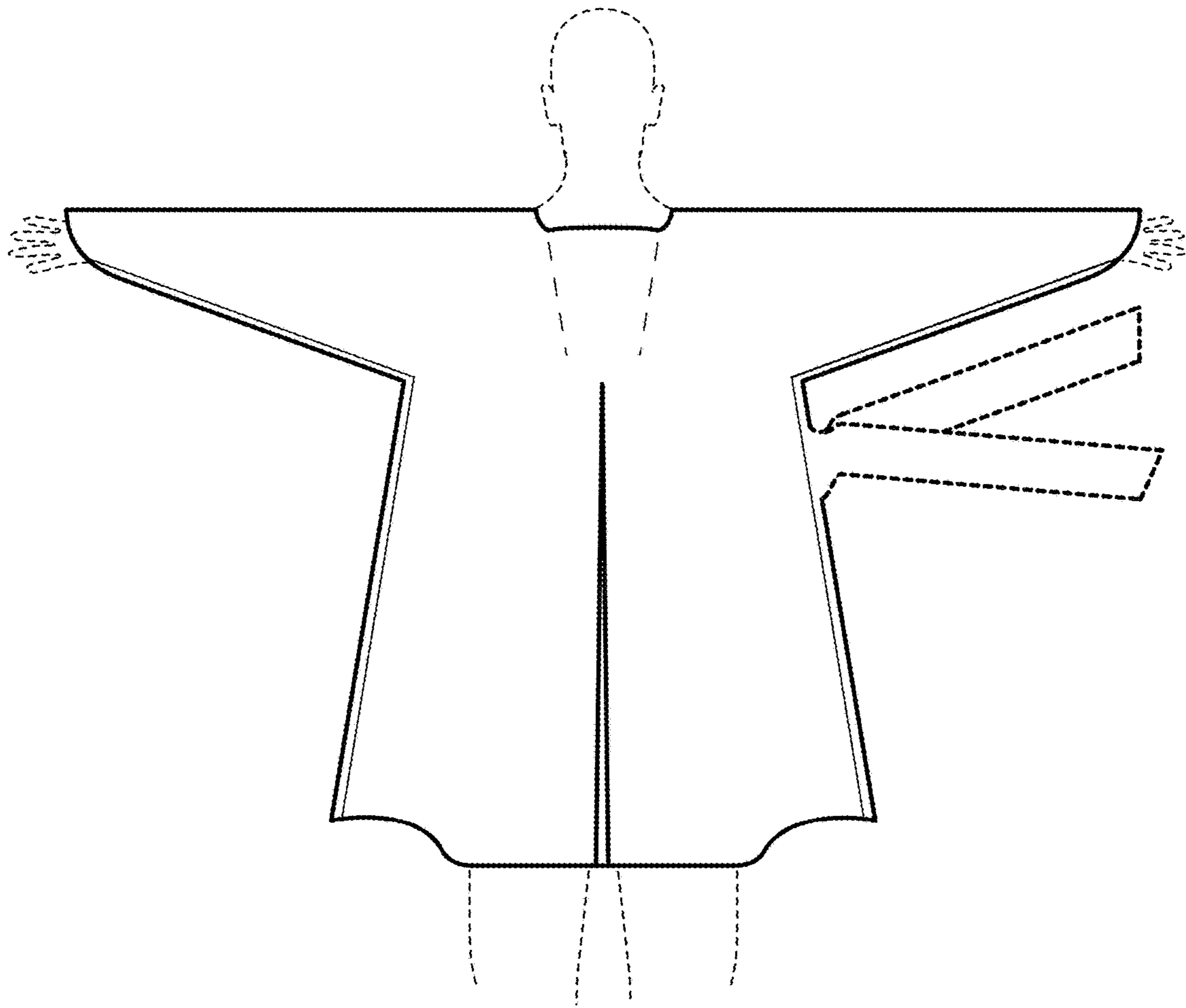


FIG. 23

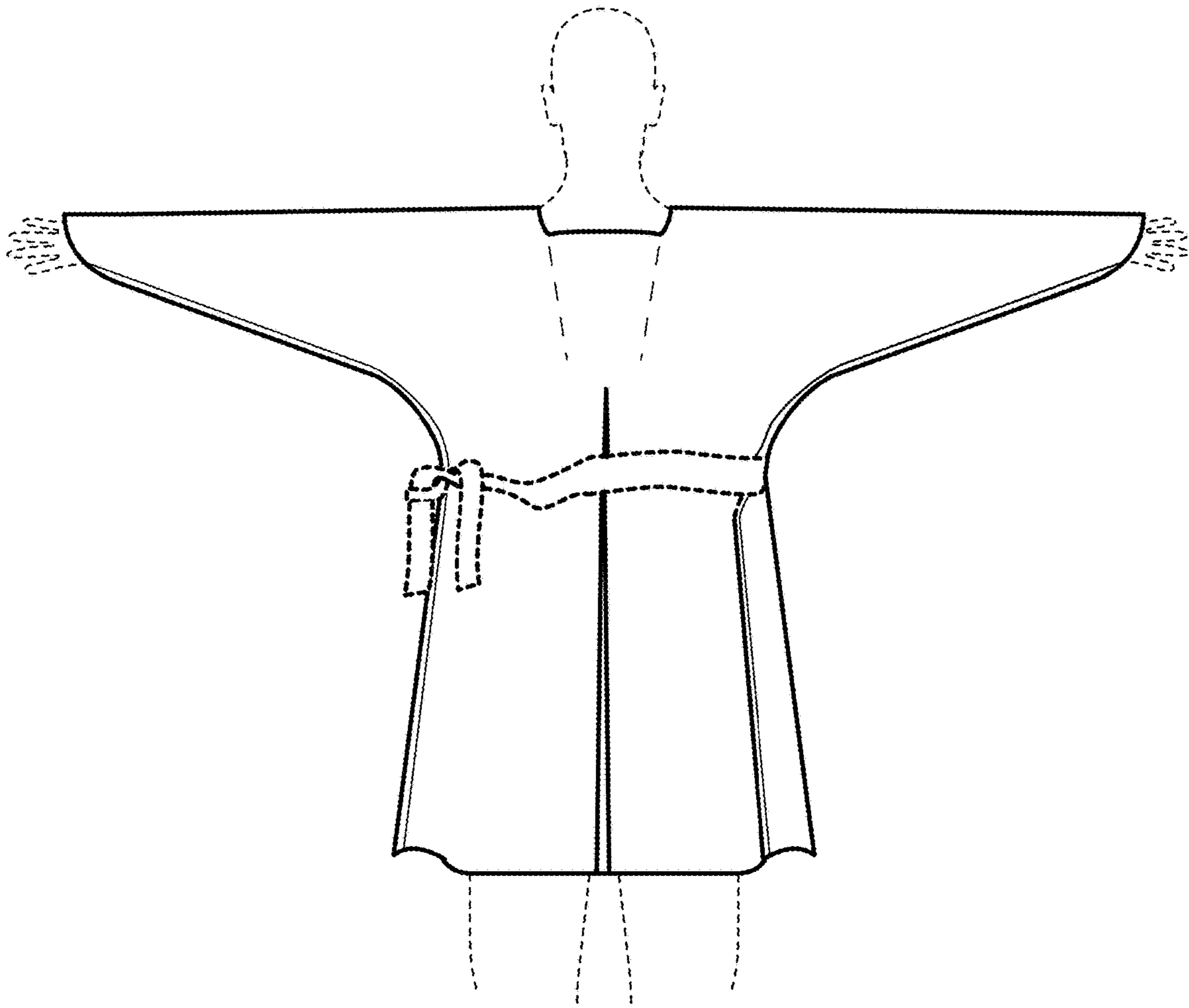


FIG. 24