



US00D855935S

(12) **United States Design Patent** (10) **Patent No.:** **US D855,935 S**
Scoville (45) **Date of Patent:** **** Aug. 13, 2019**

(54) **INFANT WRAP DEVICE**
(71) Applicant: **Agnes Marie Scoville**, Oakland, MO (US)
(72) Inventor: **Agnes Marie Scoville**, Oakland, MO (US)
(73) Assignee: **Agnes Scoville**, Oakland, MO (US)
(**) Term: **15 Years**

D715,518 S * 10/2014 Daugherty D2/719
D734,592 S * 7/2015 Castillo D2/719
D741,567 S * 10/2015 Chang D2/719

(Continued)

Primary Examiner — Michelle E. Wilson
Assistant Examiner — Clese Moore, Jr.

(57) **CLAIM**

The ornamental design for an infant wrap device, as shown and described.

DESCRIPTION

(21) Appl. No.: **29/628,517**
(22) Filed: **Dec. 5, 2017**
(51) **LOC (12) Cl.** **02-01**
(52) **U.S. Cl.**
USPC **D2/719**
(58) **Field of Classification Search**
USPC D2/719, 718, 717, 745, 700, 823, 824;
D6/598, 603
CPC A41B 13/06; A41B 13/065
See application file for complete search history.

FIG. 1 shows a front, perspective view of an infant wrap device, showing my new design;
FIG. 2 shows a front, elevational view of the infant wrap device shown in FIG. 1;
FIG. 3 shows a rear, elevational view of the infant wrap device shown in FIG. 1;
FIG. 4 shows a left side view of the infant wrap device shown in FIG. 1;
FIG. 5 shows a right side view of the infant wrap device shown in FIG. 1;
FIG. 6 shows a top, plan view of the infant wrap device shown in FIG. 1; and
FIG. 7 shows a bottom, plan view of the infant wrap device shown in FIG. 1.

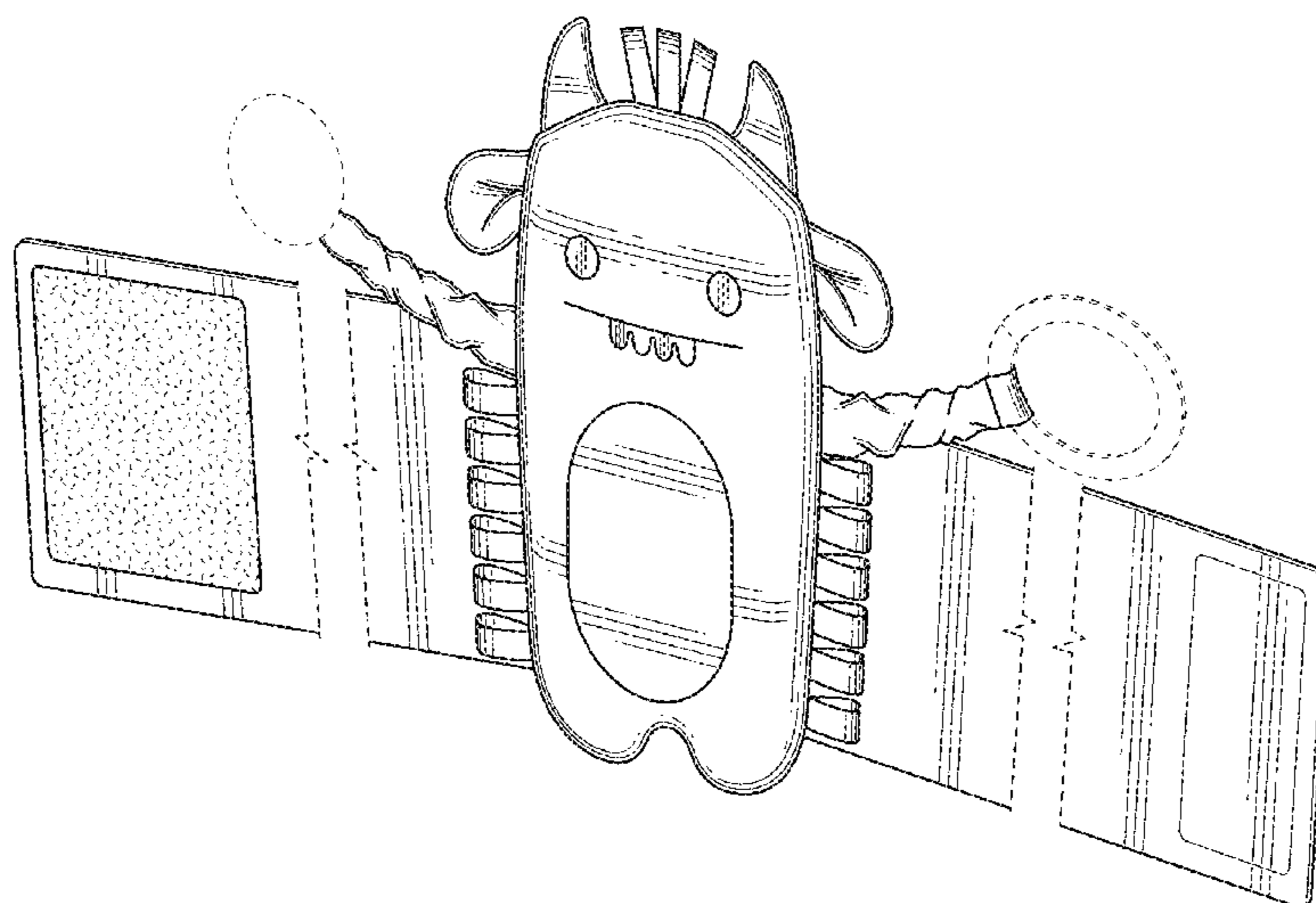
(56) **References Cited**

U.S. PATENT DOCUMENTS

D269,658 S * 7/1983 Bor 5/413 R
D328,665 S * 8/1992 McNaughton D2/719
D380,589 S * 7/1997 Westman D2/719
D405,635 S * 2/1999 Cohen D2/719
D448,142 S * 9/2001 Callan D2/719
D448,914 S * 10/2001 Caudill D2/713
D555,409 S * 11/2007 Wescott D6/603
D612,579 S * 3/2010 Dickinson D2/719
D613,106 S * 4/2010 Ward D2/719
D641,540 S * 7/2011 Nilsson D2/719
D644,413 S * 9/2011 Keall D2/718
D650,558 S * 12/2011 Ruse-Petersen D2/719
D652,198 S * 1/2012 Ashworth D2/719
D679,479 S * 4/2013 Carrera D2/719
D690,904 S * 10/2013 Coates D2/719

FIG. 8 shows a front perspective exploded view of the infant wrap;
FIG. 9 shows the infant wrap device mounted on an infant.
FIG. 10 shows a rear exploded elevational view of the infant wrap device; and,
FIG. 11 shows a left side exploded view of the infant wrap device.
The broken lines shown illustrate portions of the infant wrap device that form no part of the claimed design.
The infant wrap device is shown with a symbolic break in its length. The appearance of any portion of the article between the break lines forms no part of the claimed design.

1 Claim, 9 Drawing Sheets



(56)

References Cited

U.S. PATENT DOCUMENTS

D741,568	S	*	10/2015	Daugherty	D2/719
D751,270	S	*	3/2016	White	D2/719
D772,532	S	*	11/2016	Karp	D2/719
D776,900	S	*	1/2017	Bopanna	D2/719
D790,803	S	*	7/2017	Paperno	D2/719
2010/0257653	A1	*	10/2010	Pitts	A41B 13/06 2/69.5
2013/0283527	A1	*	10/2013	Houston	A41B 13/06 5/494

* cited by examiner

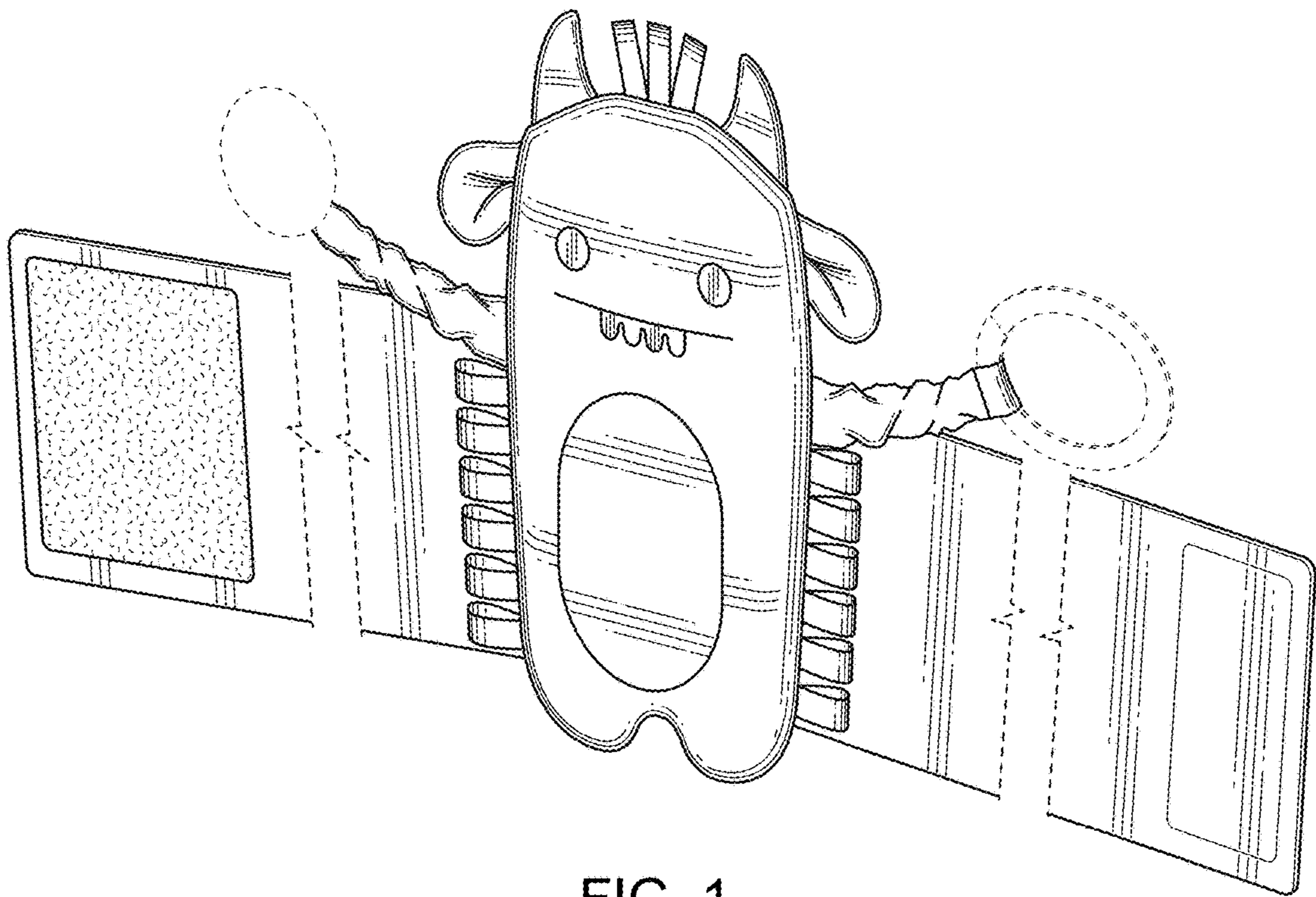


FIG. 1

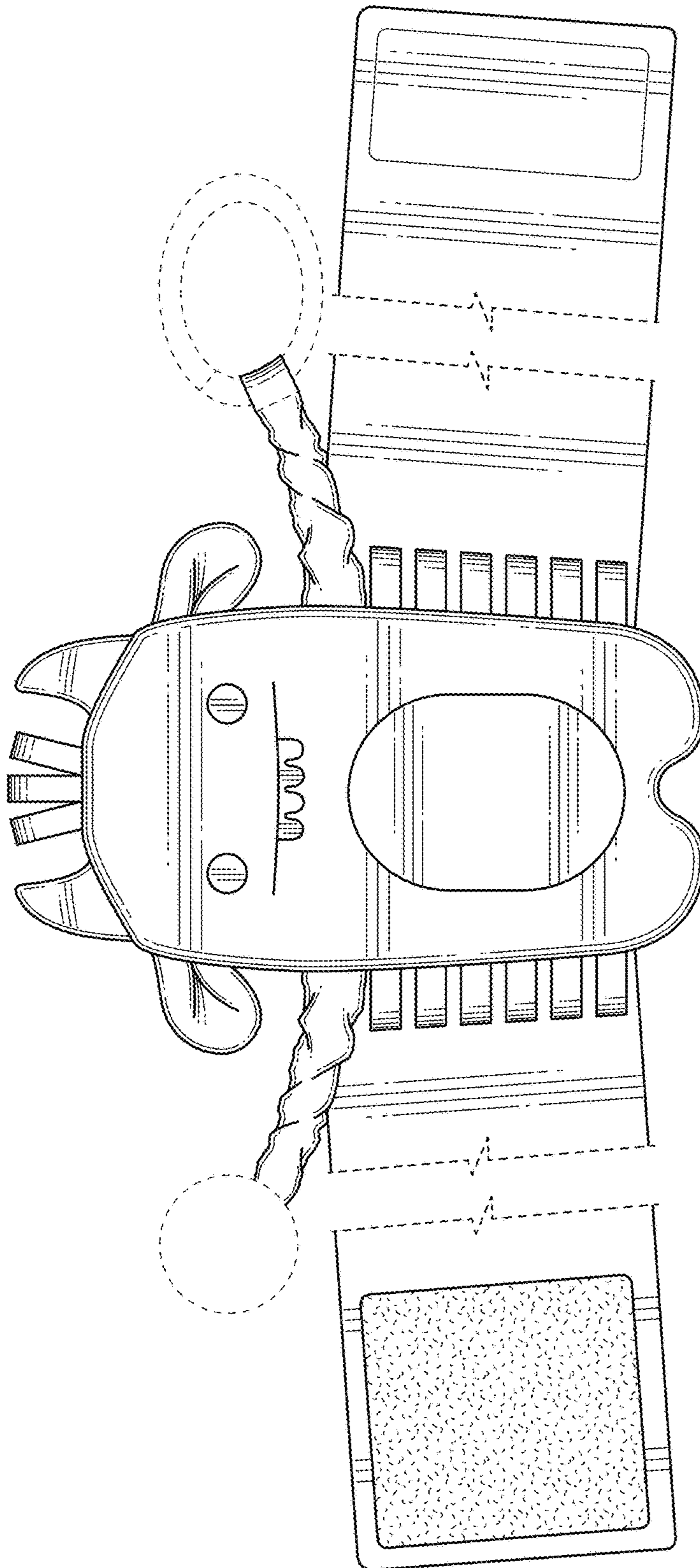


FIG. 2

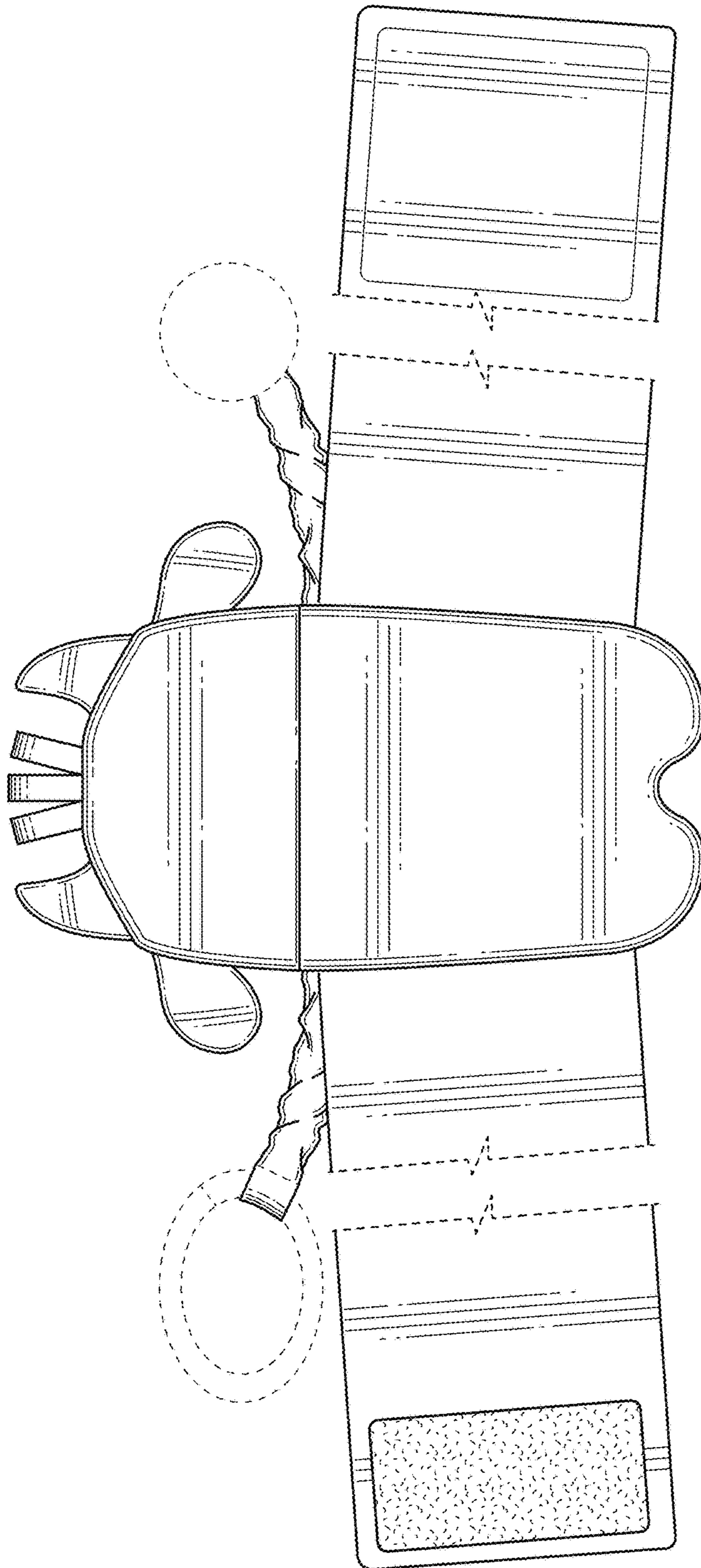


FIG. 3

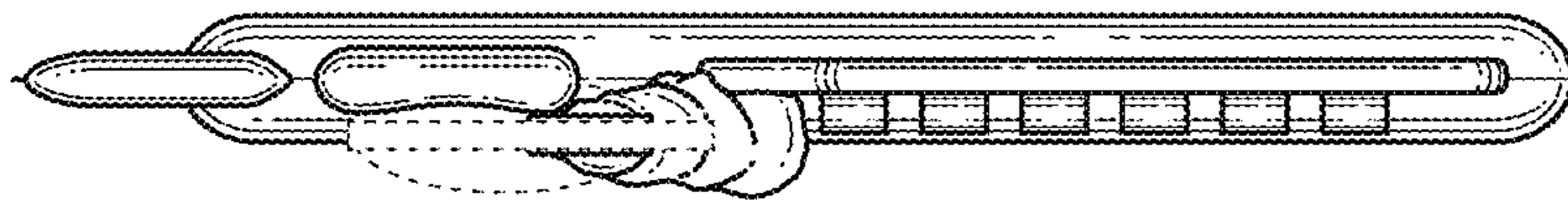


FIG. 5

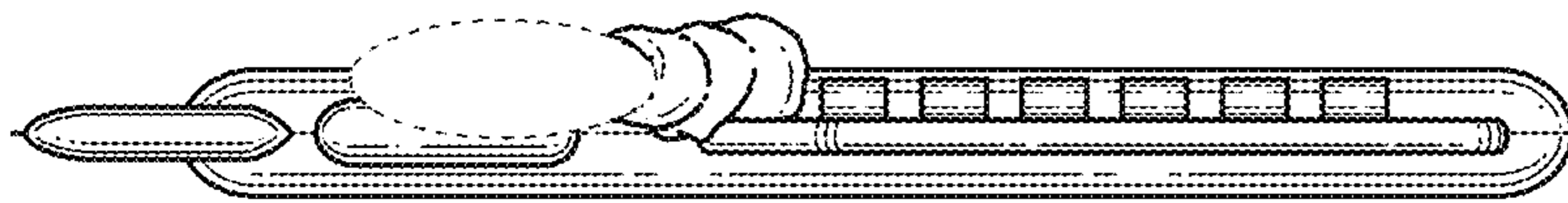


FIG. 4

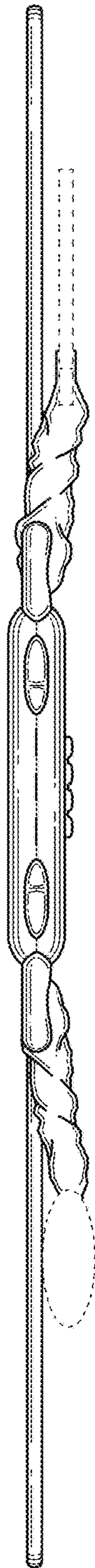


FIG. 6

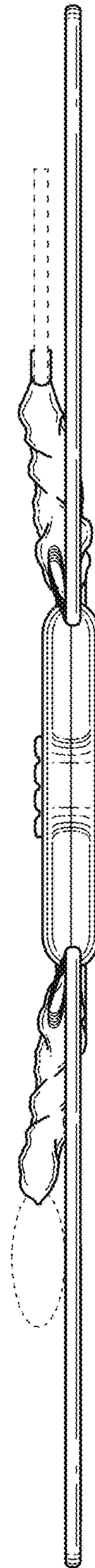


FIG. 7

FIG. 8

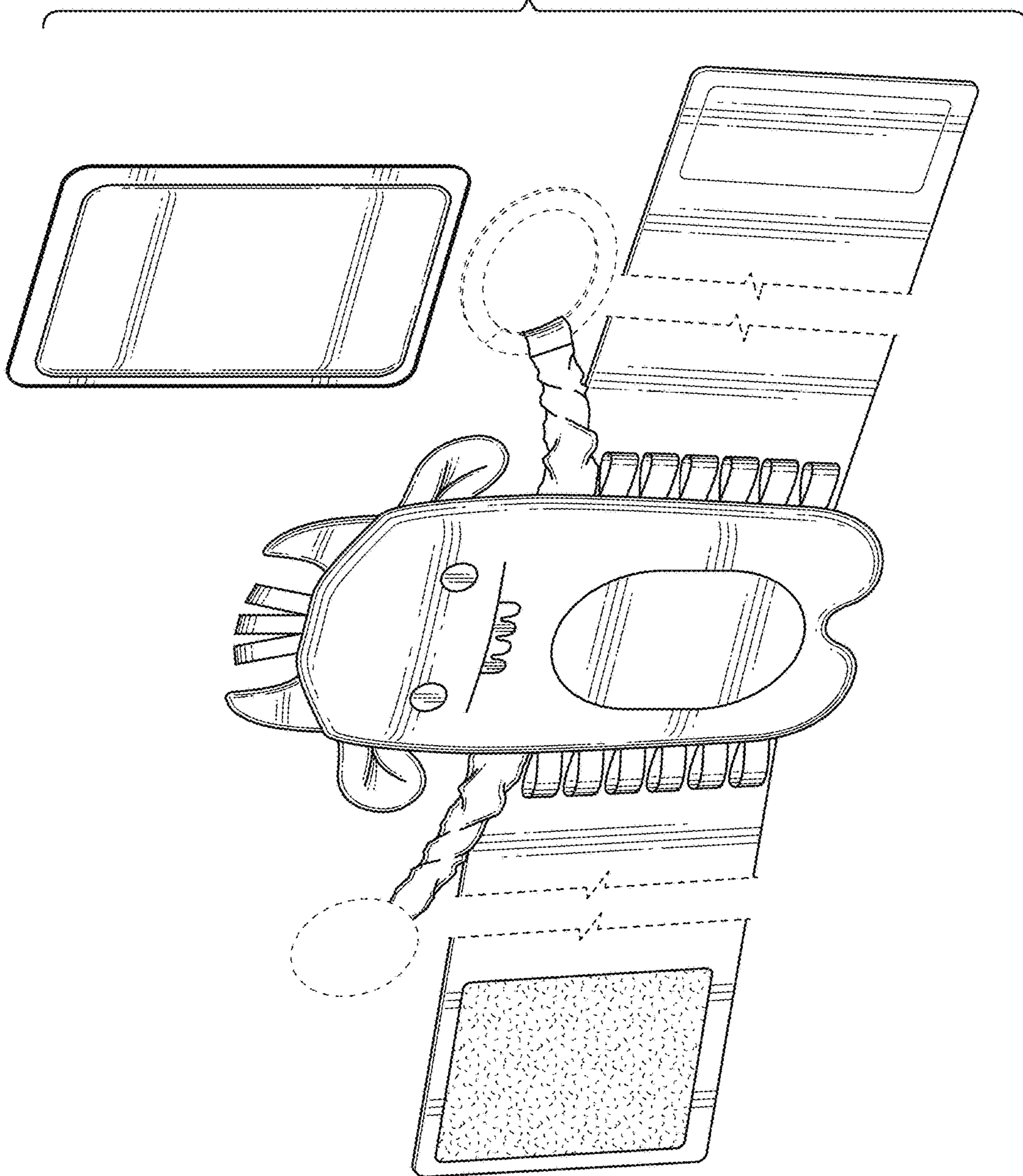




FIG. 9

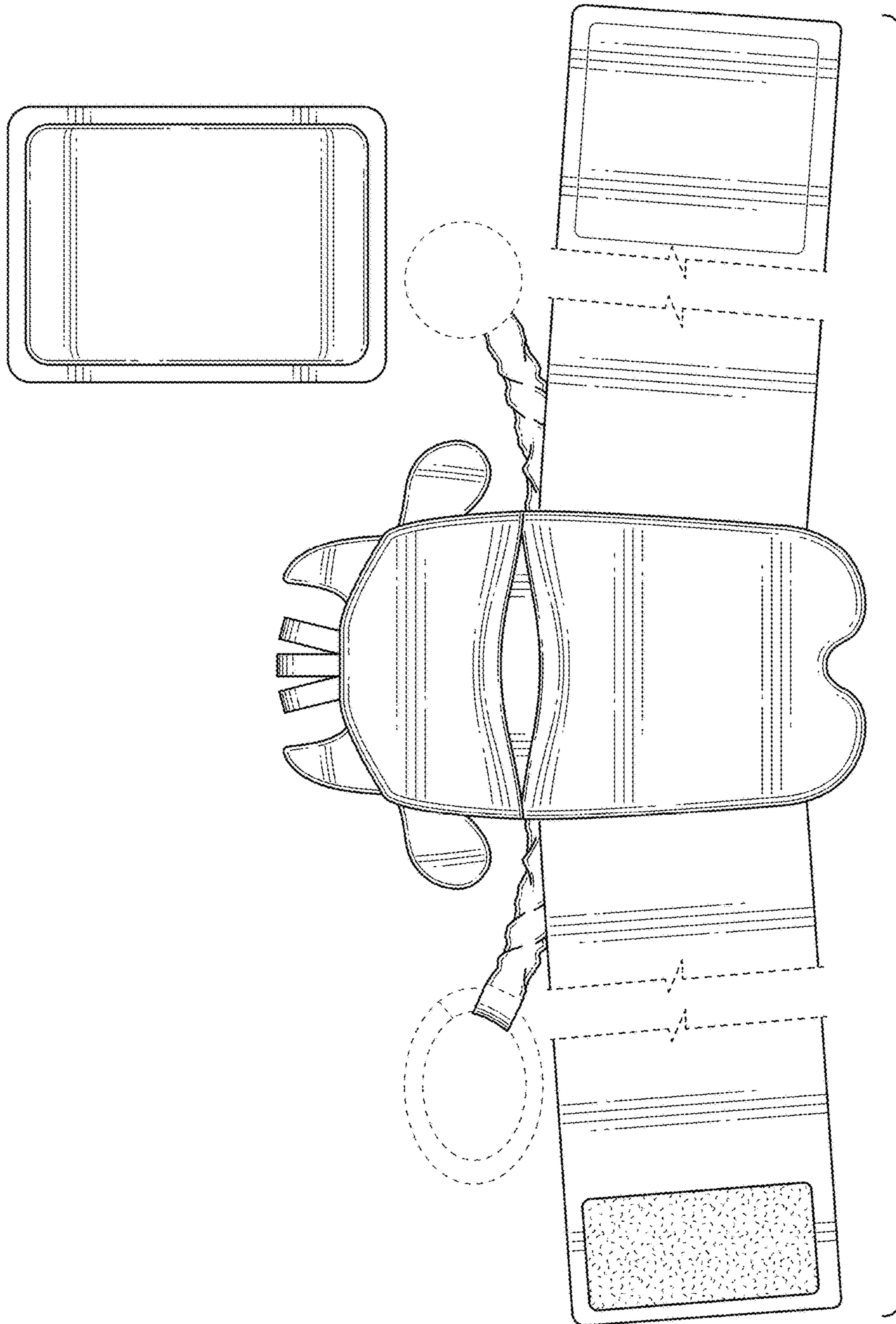


FIG. 10

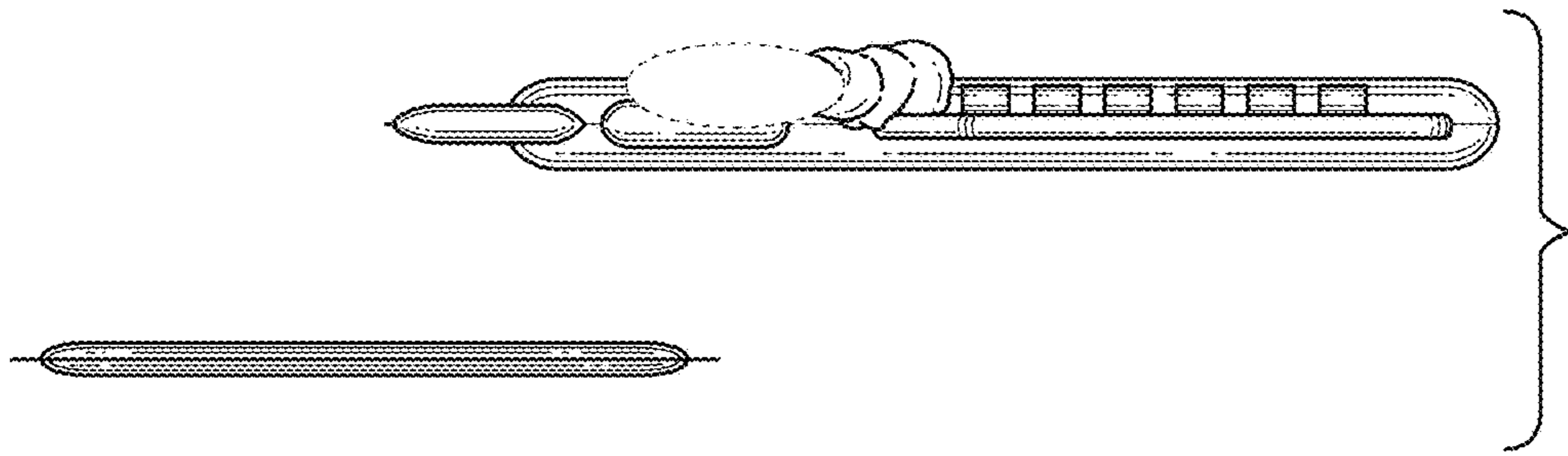


FIG. 11