



US00D855931S

(12) **United States Design Patent** (10) **Patent No.:** **US D855,931 S**  
**Bindra et al.** (45) **Date of Patent:** **\*\* Aug. 13, 2019**

(54) **CONFECTION**

(71) Applicant: **INTERCONTINENTAL GREAT BRANDS LLC**, East Hanover, NJ (US)

(72) Inventors: **Mandeep Bindra**, East Hanover, NJ (US); **William Hirt**, East Hanover, NJ (US); **Shelley Markoulis**, East Hanover, NJ (US)

(73) Assignee: **INTERCONTINENTAL GREAT BRANDS LLC**, East Hanover, NJ (US)

(\*\*) Term: **15 Years**

(21) Appl. No.: **29/633,941**

(22) Filed: **Jan. 17, 2018**

**Related U.S. Application Data**

(63) Continuation of application No. 29/630,323, filed on Dec. 20, 2017.

(51) **LOC (12) Cl.** ..... **01-01**

(52) **U.S. Cl.**  
USPC ..... **D1/127**

(58) **Field of Classification Search**  
USPC ..... D1/100–130, 199; 426/5, 76, 87, 92, 94, 426/95, 99, 101, 103, 108, 138–139, 143,  
(Continued)

(56) **References Cited**

**U.S. PATENT DOCUMENTS**

D190,685 S 6/1961 Roskam  
3,793,135 A 2/1974 Monia  
(Continued)

**FOREIGN PATENT DOCUMENTS**

CA 2552171 C 7/2005  
MX PA06007543 A 8/2006

**OTHER PUBLICATIONS**

Notice of Allowance; U.S. Appl. No. 29/654,508; filed Jun. 25, 2018; Confectionery Packaging; Notification Date: May 22, 2019; pp. 1-20.

*Primary Examiner* — Katie Jane Stofko

(74) *Attorney, Agent, or Firm* — Cantor Colburn LLP

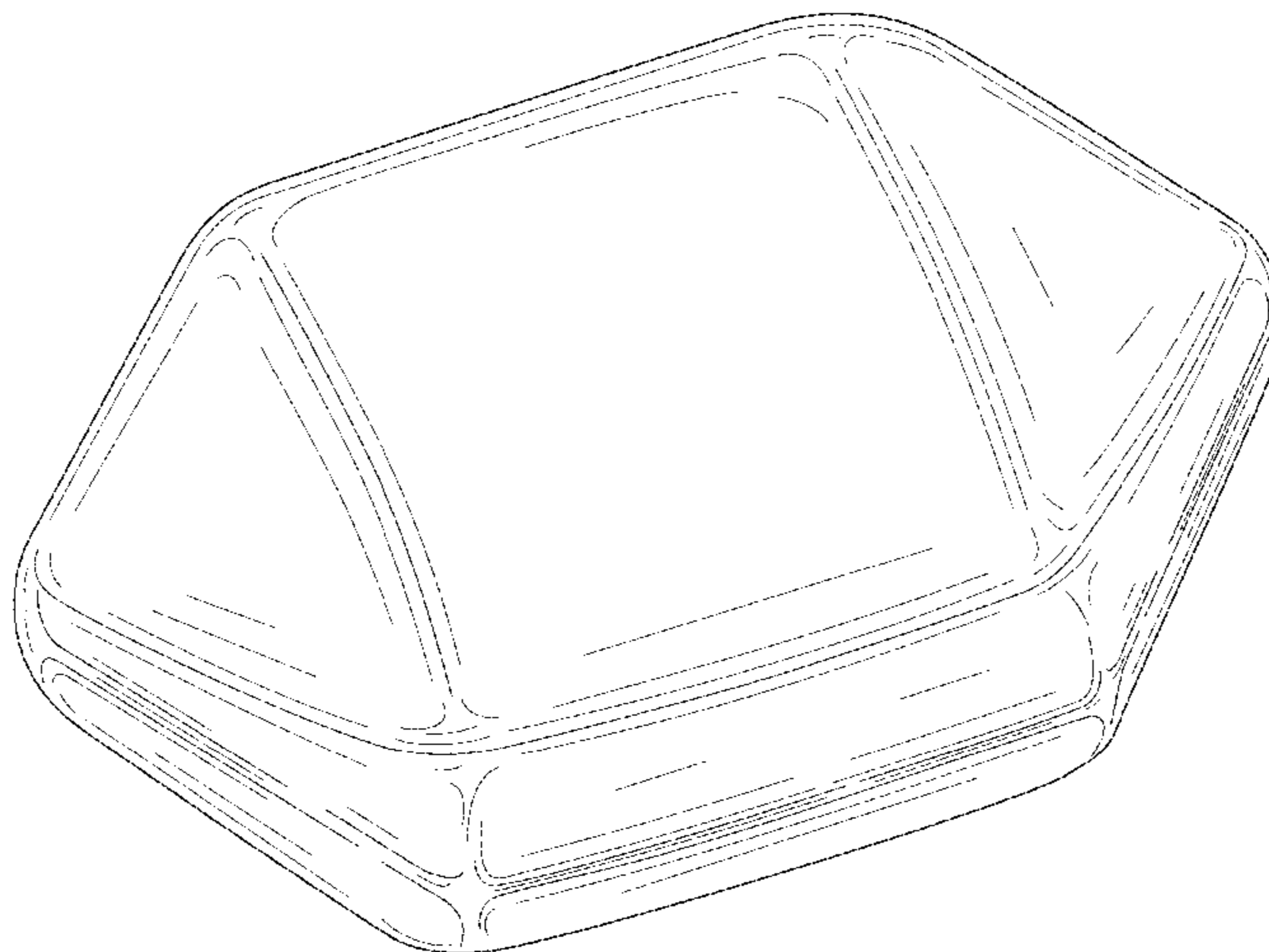
(57) **CLAIM**

We claim, the ornamental design for a confection, as shown and described.

**DESCRIPTION**

FIG. 1 is a perspective view of a confection, showing our new design in an exemplary embodiment;  
FIG. 2 is a top view of the embodiment shown in FIG. 1;  
FIG. 3 is a bottom view of the embodiment shown in FIG. 1;  
FIG. 4 is a side view of the embodiment shown in FIG. 1;  
FIG. 5 is another side view of the embodiment shown in FIG. 1;  
FIG. 6 is a front view of the embodiment shown in FIG. 1;  
FIG. 7 is a rear view of the embodiment shown in FIG. 1;  
FIG. 8 is a perspective view of a confection, showing our new design in another exemplary embodiment;  
FIG. 9 is a top view of the embodiment shown in FIG. 8;  
FIG. 10 is a bottom view of the embodiment shown in FIG. 8;  
FIG. 11 is a side view of the embodiment shown in FIG. 8;  
FIG. 12 is another side view of the embodiment shown in FIG. 8;  
FIG. 13 is a front view of the embodiment shown in FIG. 8;  
and,  
FIG. 14 is a rear view of the embodiment shown in FIG. 8.  
The break lines shown in the middle portion of the confection in FIGS. 8-12 indicate that the appearance of any portion of the article between the break lines forms no part of the claimed design.

**1 Claim, 10 Drawing Sheets**



(58) **Field of Classification Search**

USPC ..... 426/144, 279, 282, 283, 391, 514, 549,  
 426/660, 72, 582; D24/101-104;  
 D28/8.1; D13/100; 424/438, 440, 464,  
 424/470-472; 425/195; 34/296;  
 D6/601; D10/108  
 CPC .. A61K 9/2072; A61K 9/0004; A61K 9/2095;  
 A61K 9/209

See application file for complete search history.

(56) **References Cited**

U.S. PATENT DOCUMENTS

D272,317 S 1/1984 Parmentier  
 D285,493 S \* 9/1986 Tovey ..... D24/101  
 D285,729 S \* 9/1986 Tovey ..... D24/101  
 D302,337 S 7/1989 Bresloff et al.  
 D331,280 S \* 11/1992 Tovey ..... D24/101  
 D346,442 S \* 4/1994 Kramer ..... D24/101  
 D354,806 S \* 1/1995 Tovey ..... D24/101  
 D361,615 S \* 8/1995 Tovey ..... D24/101  
 5,551,567 A 9/1996 Malone et al.  
 D376,644 S 12/1996 Dickinson et al.  
 5,911,319 A 6/1999 Porcelli et al.  
 D414,895 S \* 10/1999 Olson ..... D1/100  
 5,972,440 A \* 10/1999 Erland ..... G03B 15/08  
 348/587  
 D419,262 S \* 1/2000 Klaers ..... D28/8.1  
 D421,899 S 3/2000 Eneroth et al.  
 D432,641 S 10/2000 Burrows

D433,750 S 11/2000 Burrows  
 D434,492 S \* 11/2000 Holland ..... D24/103  
 D443,688 S 6/2001 Holland et al.  
 D449,881 S 10/2001 Mock, Sr.  
 D455,344 S 4/2002 Assargren et al.  
 D506,680 S 6/2005 Saelzer  
 D510,173 S 10/2005 Richey et al.  
 D510,174 S \* 10/2005 Richey ..... D1/127  
 D511,977 S 11/2005 Saelzer  
 D575,148 S 8/2008 Sagel  
 D594,753 S 6/2009 Eadicicco et al.  
 D597,418 S 8/2009 Stojek  
 D628,090 S 11/2010 Stuiber et al.  
 D631,757 S 2/2011 Kerr et al.  
 D655,622 S 3/2012 Sadler et al.  
 D666,286 S \* 8/2012 Chery ..... D24/101  
 D681,479 S 5/2013 Logue  
 D688,570 S 8/2013 Logue  
 D744,014 S 11/2015 Gleason  
 D748,240 S 1/2016 Goode  
 D760,599 S 7/2016 Jayakaran et al.  
 D761,125 S 7/2016 Taylor  
 D761,126 S 7/2016 Taylor  
 D801,623 S \* 11/2017 Wang ..... D1/127  
 D844,428 S 4/2019 Stadelmaier et al.  
 2006/0127540 A1 6/2006 Keckeis  
 2007/0289893 A1 12/2007 William, Jr.  
 2008/0073240 A1 3/2008 Bowers et al.  
 2010/0000899 A1 1/2010 Burg et al.  
 2013/0160408 A1 6/2013 Neff  
 2015/0048001 A1 2/2015 Bailey

\* cited by examiner

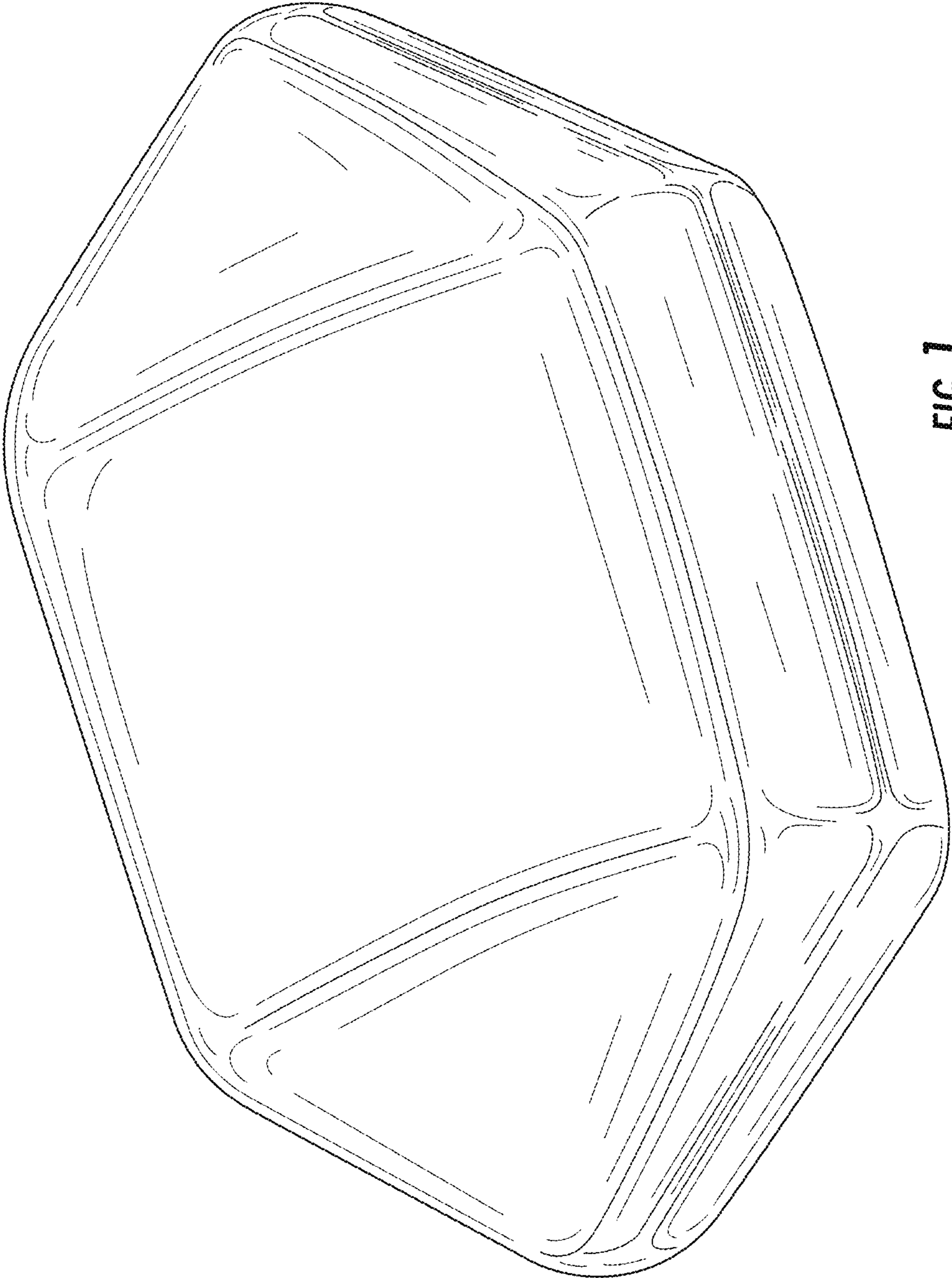


FIG. 1



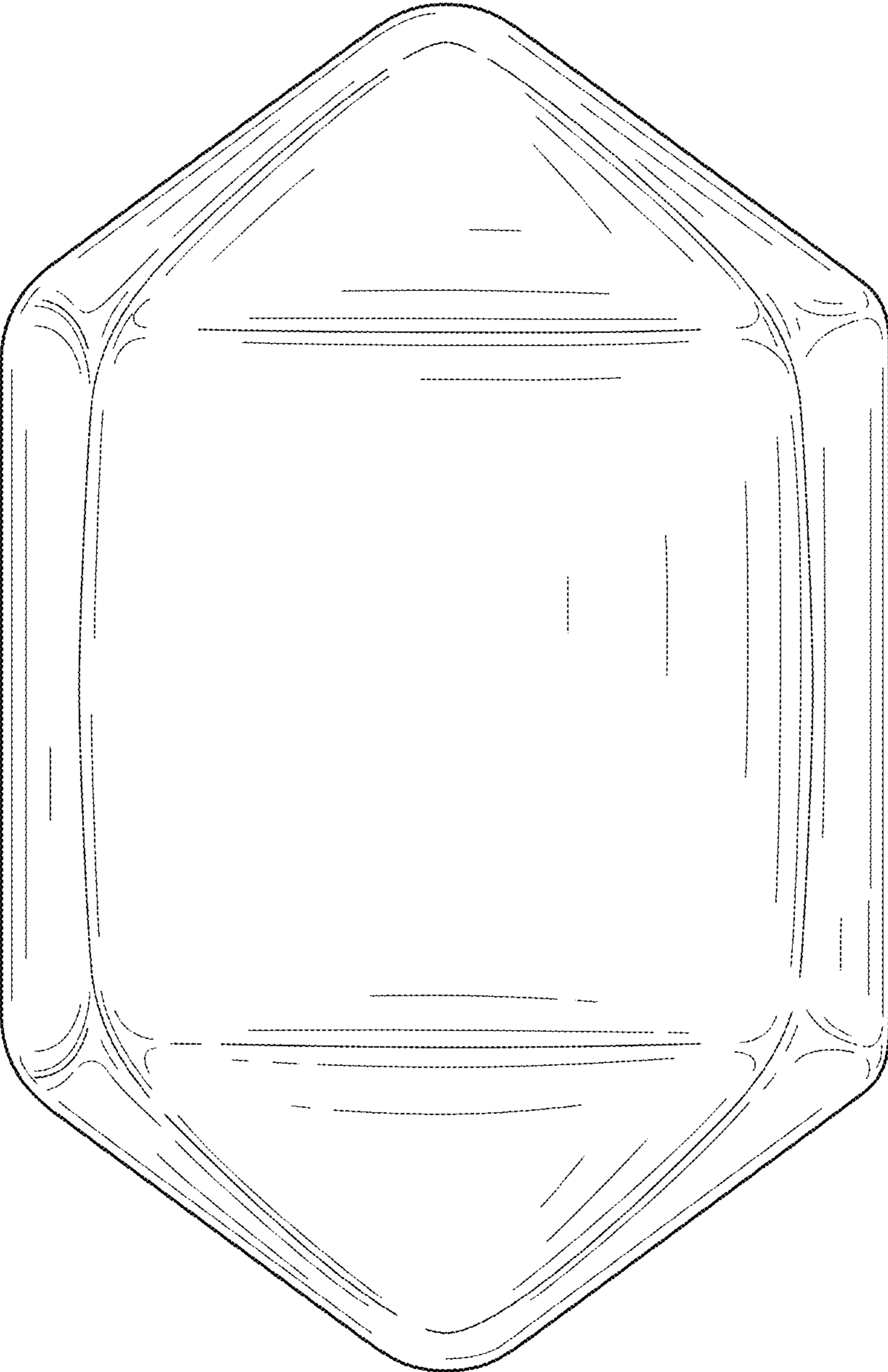


FIG. 2

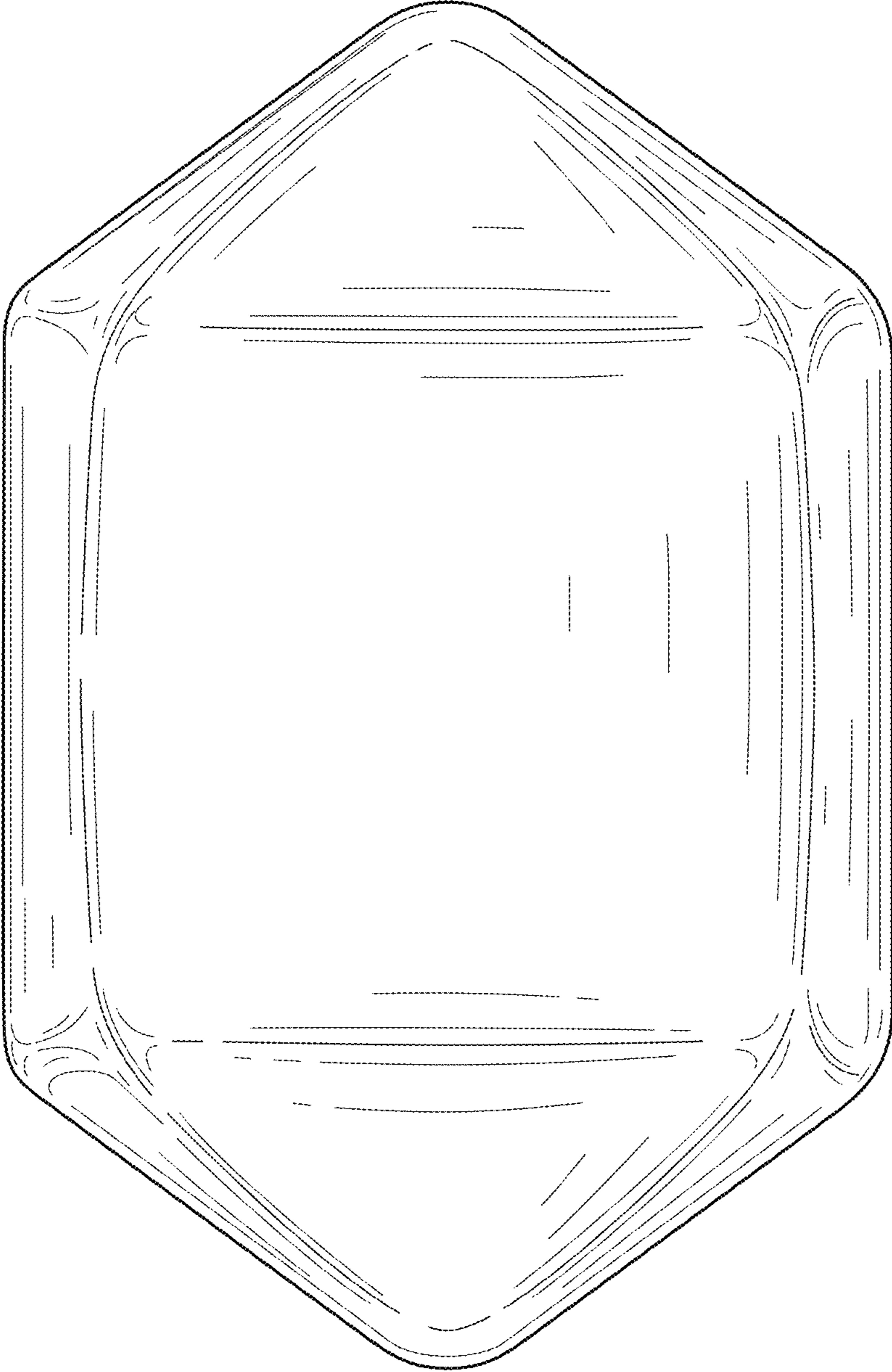


FIG. 3

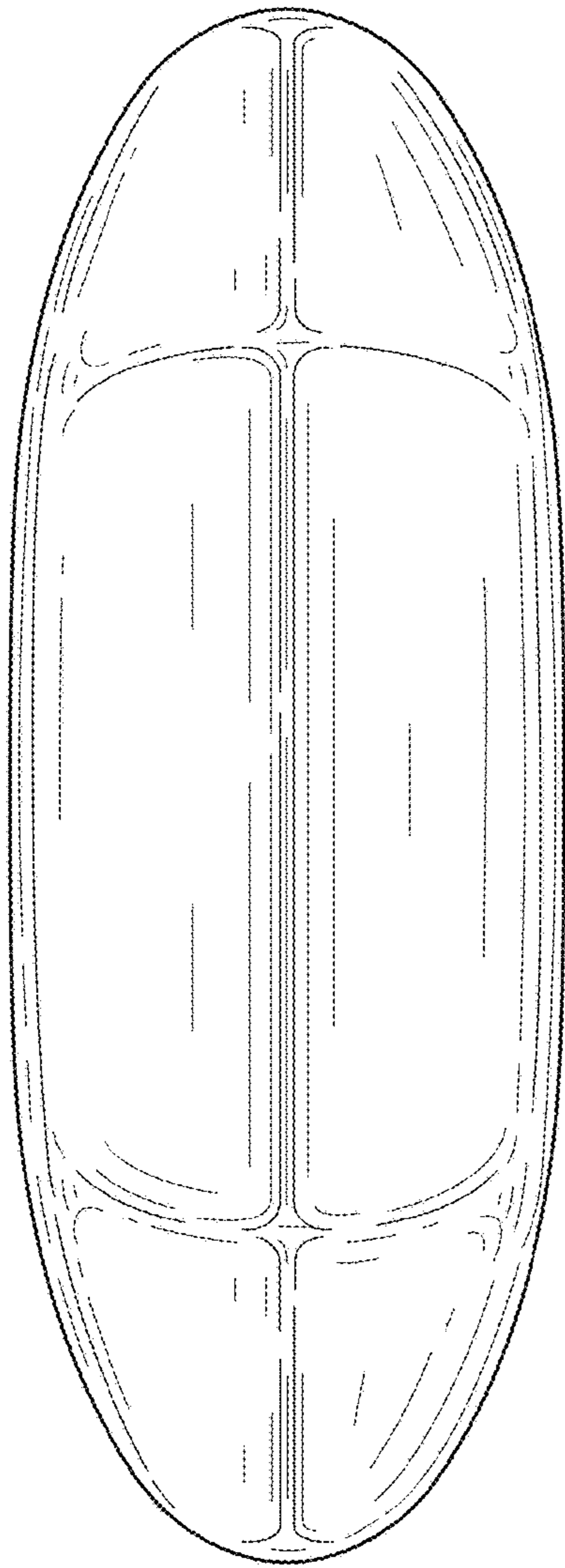


FIG. 4

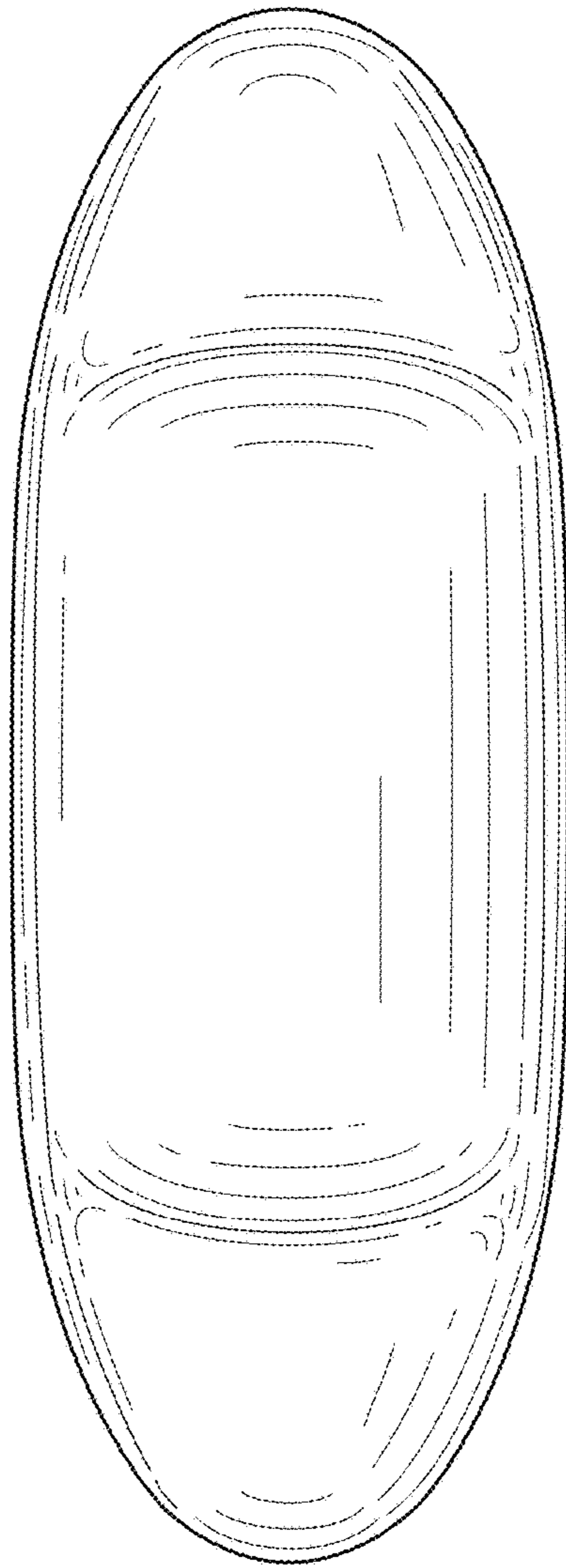
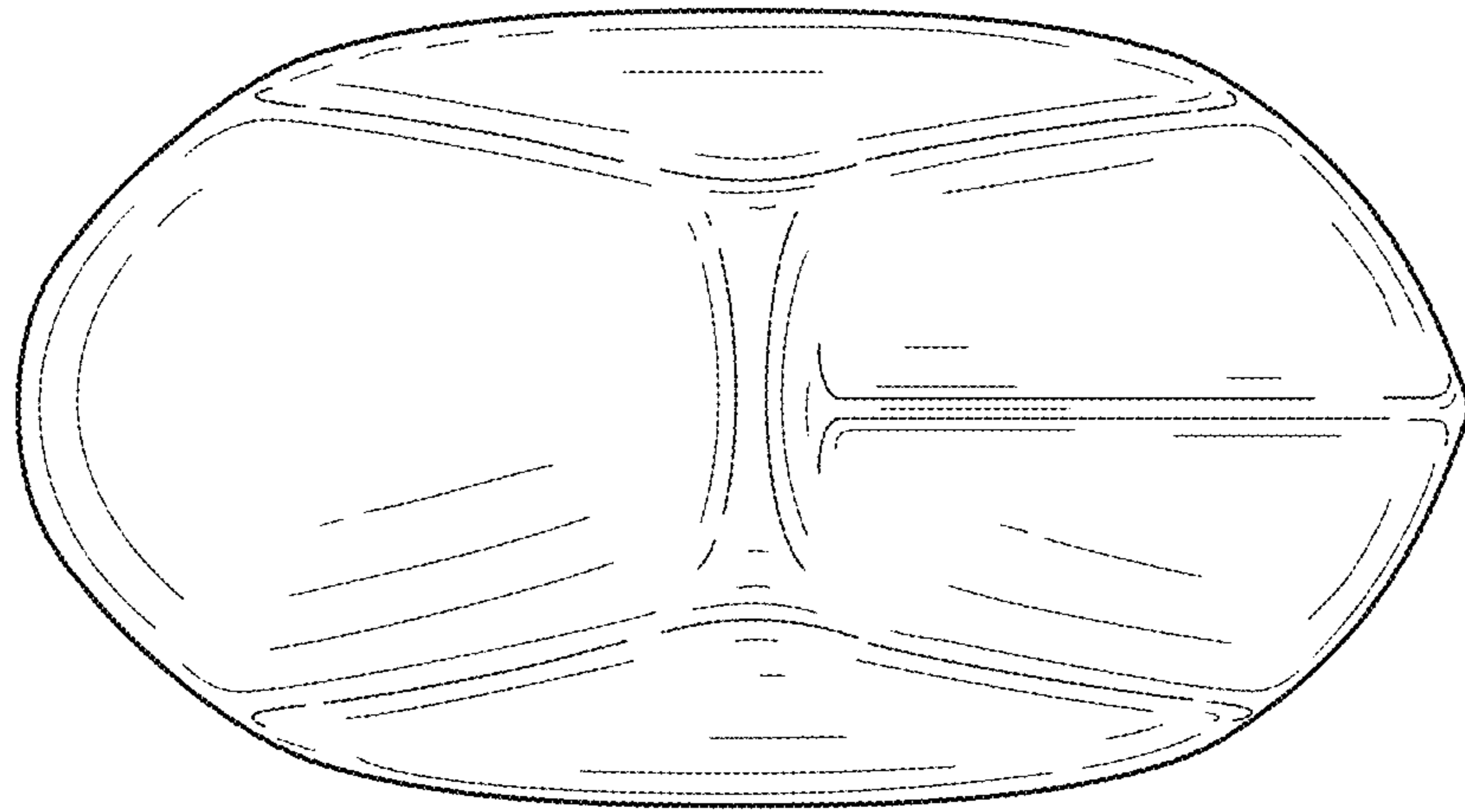
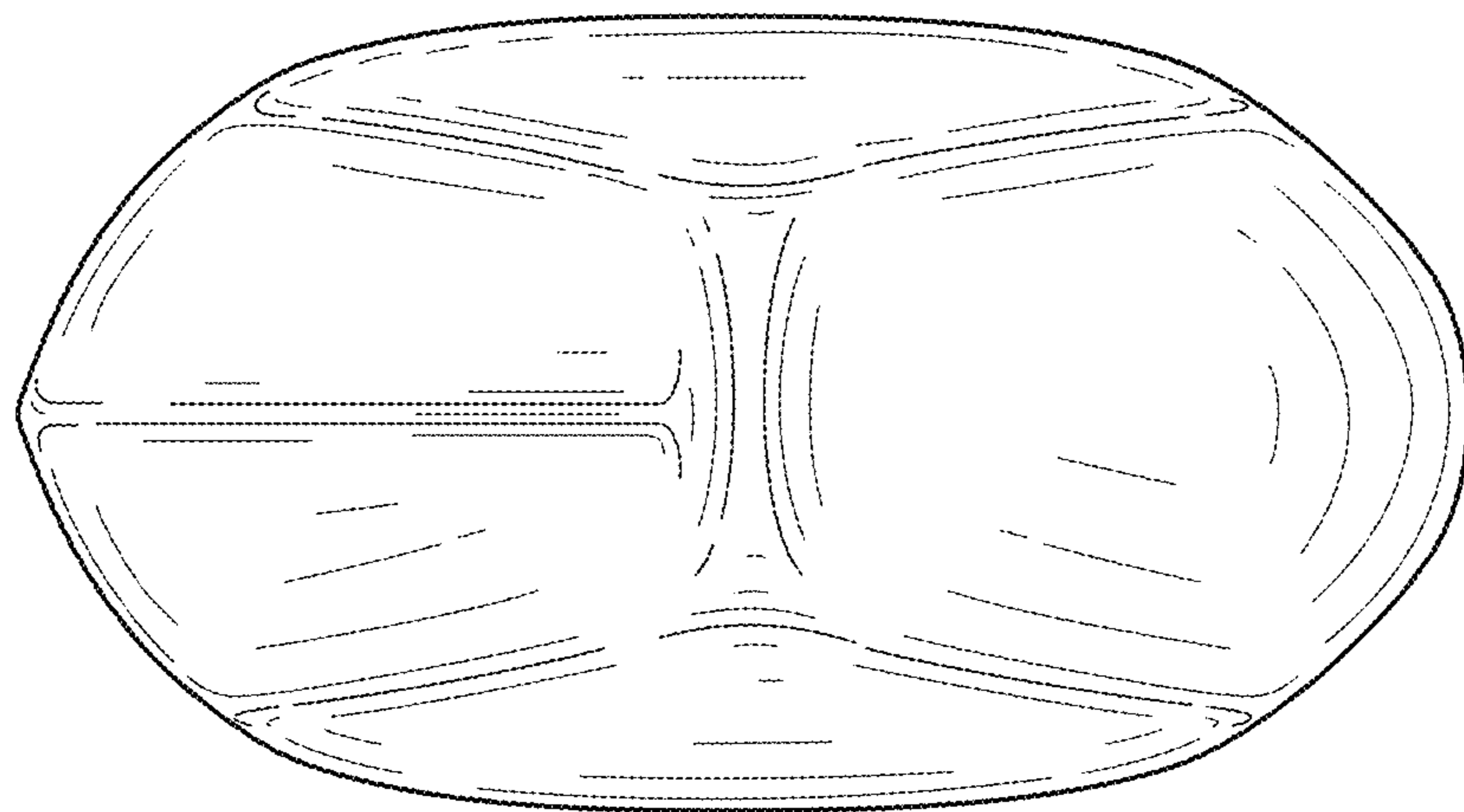


FIG. 5



**FIG. 6**



**FIG. 7**

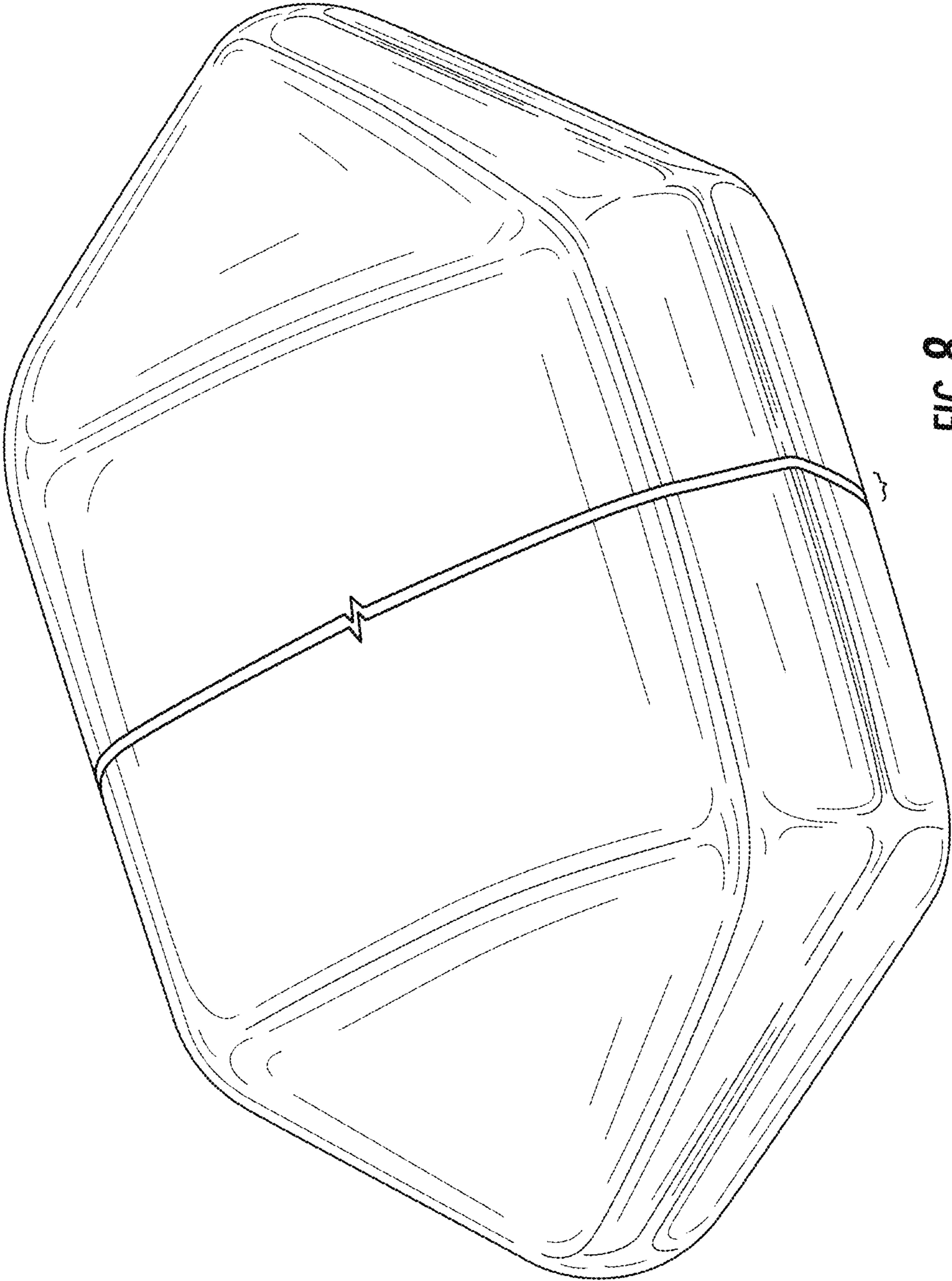


FIG. 8



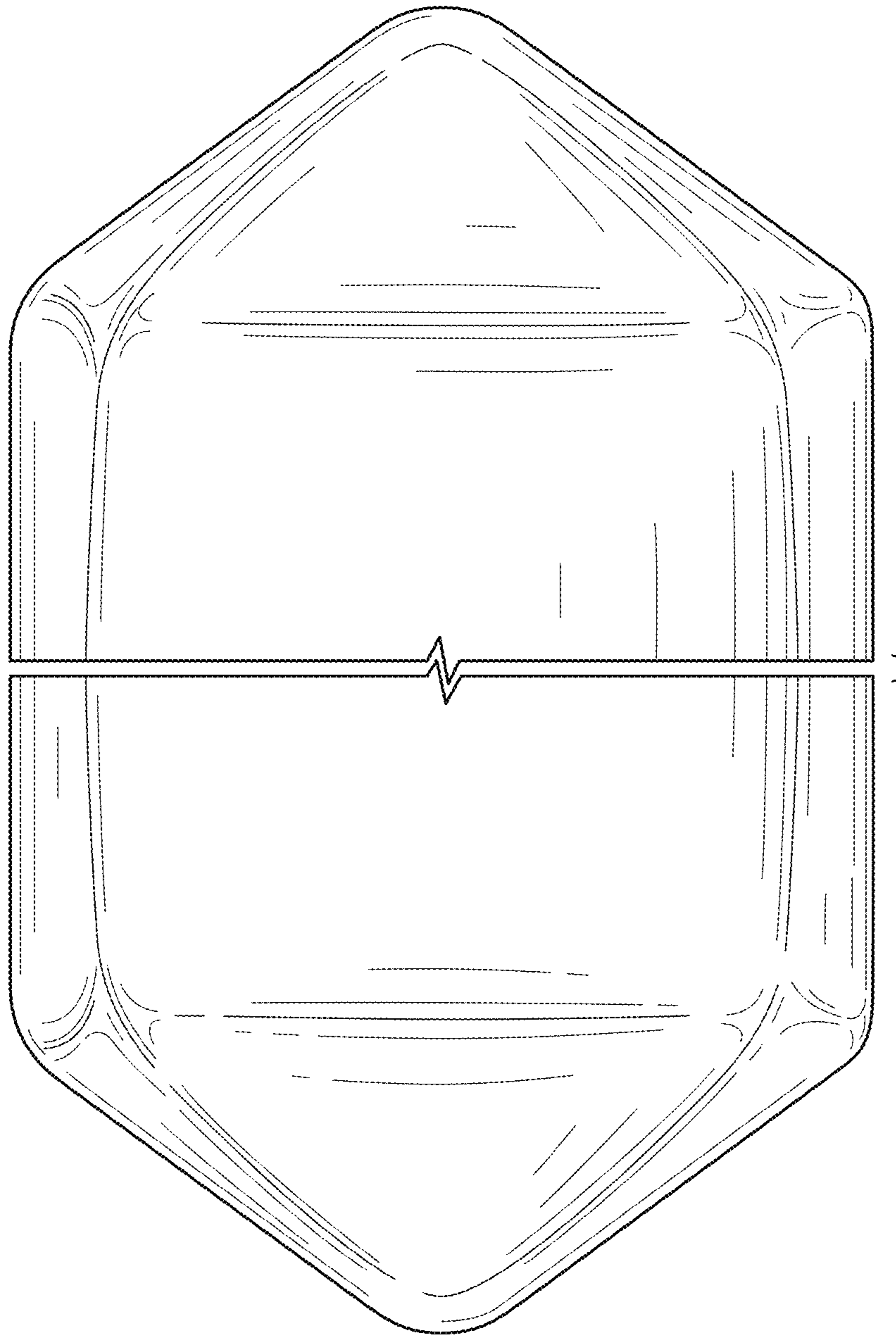


FIG. 9

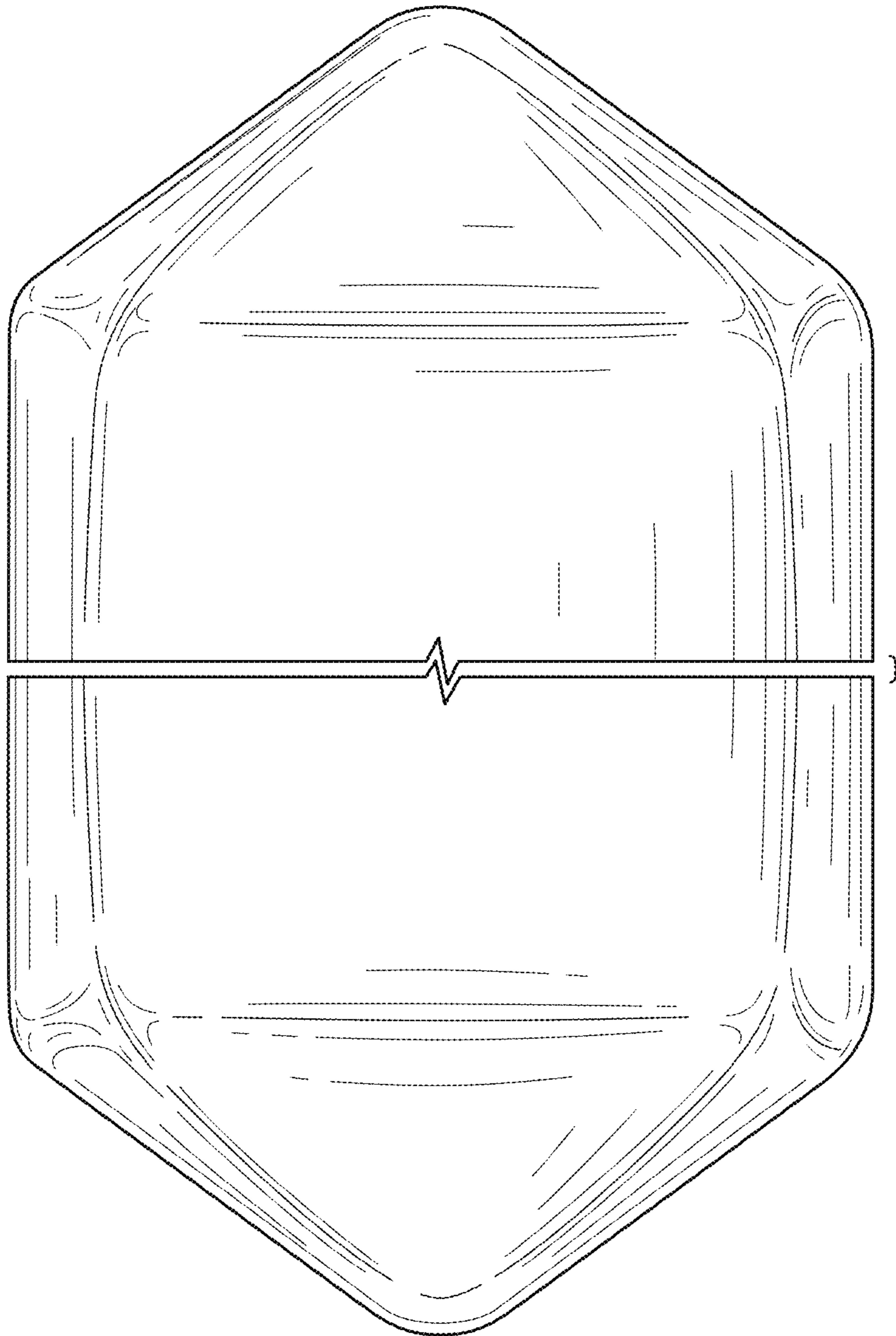


FIG. 10

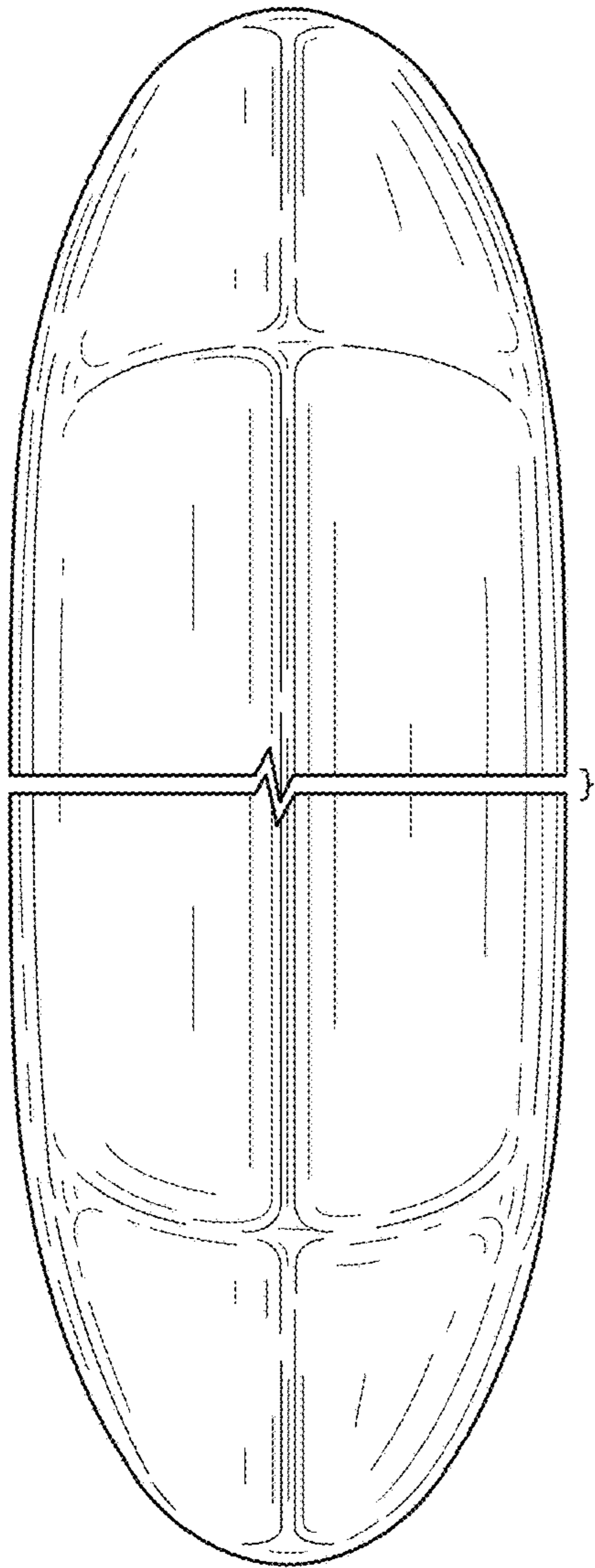


FIG. 11

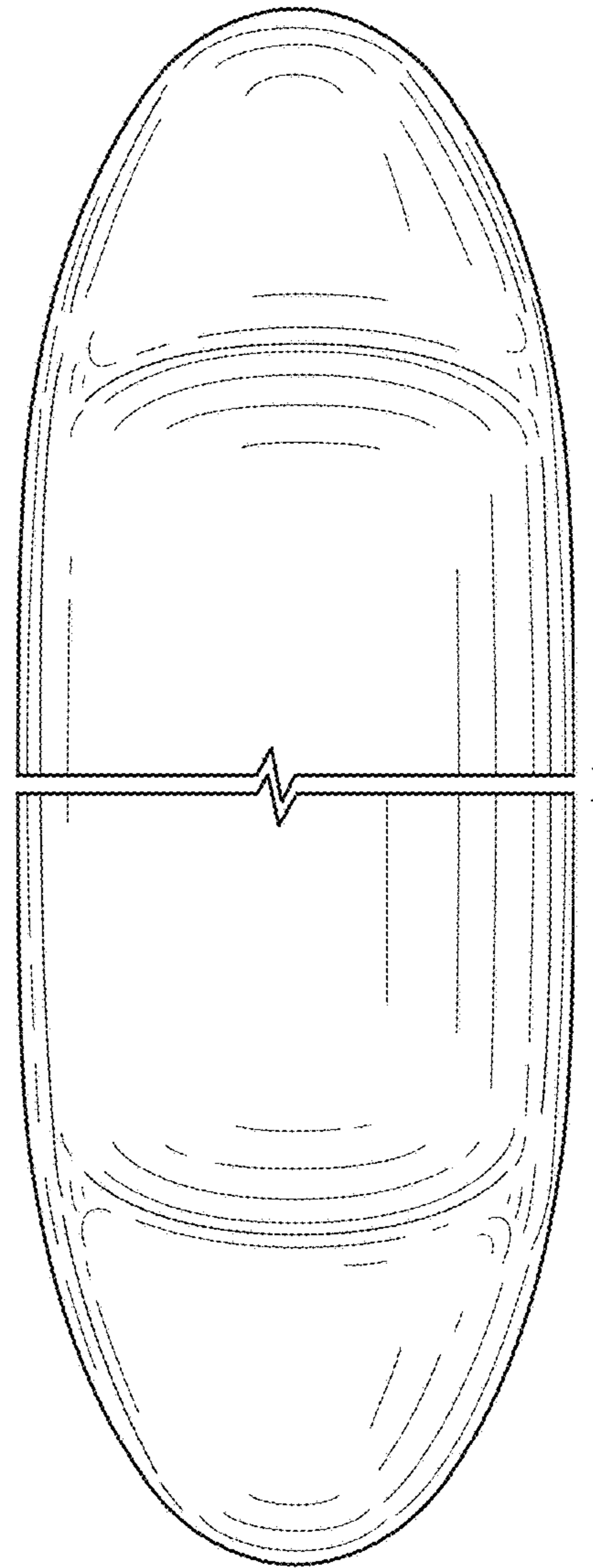
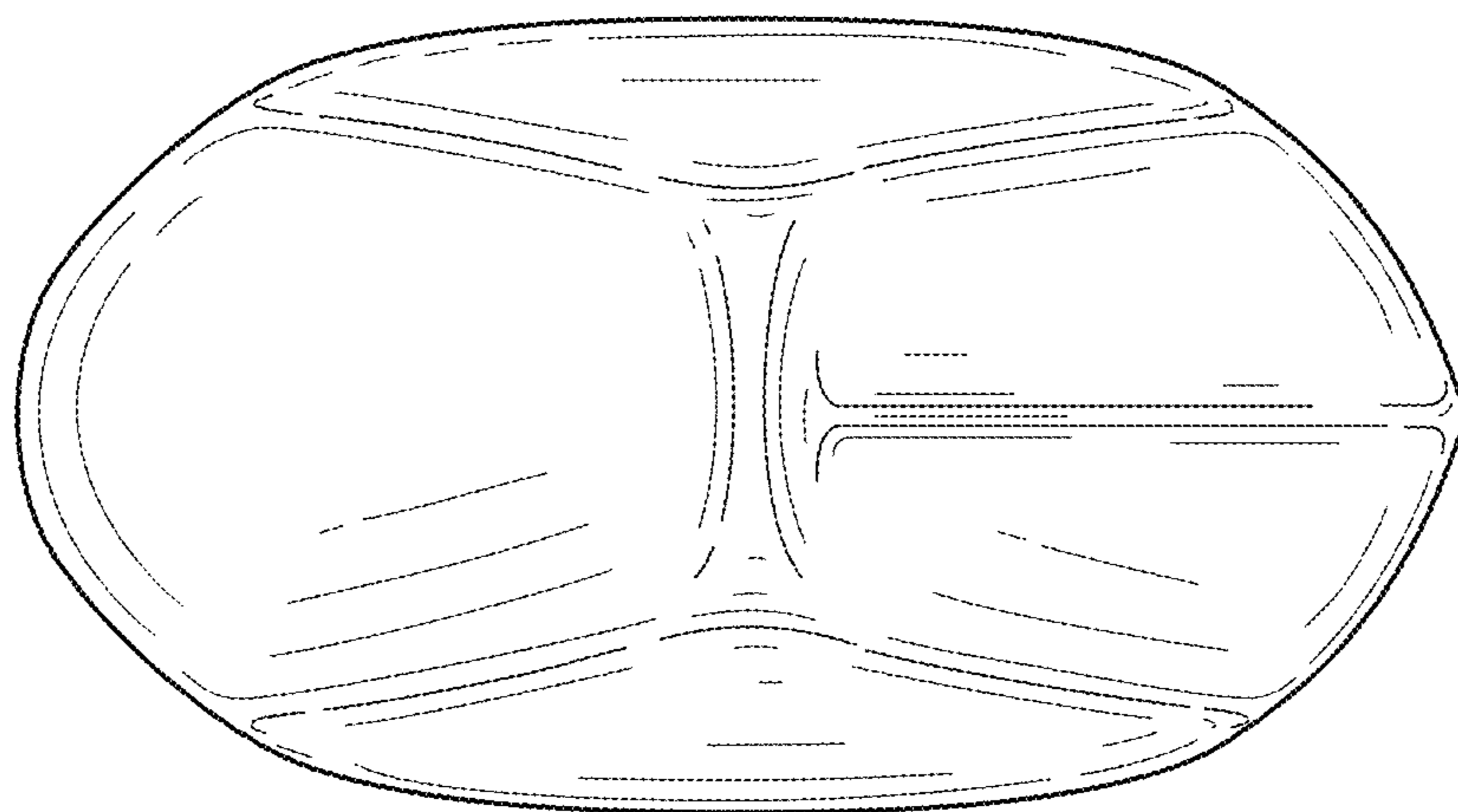
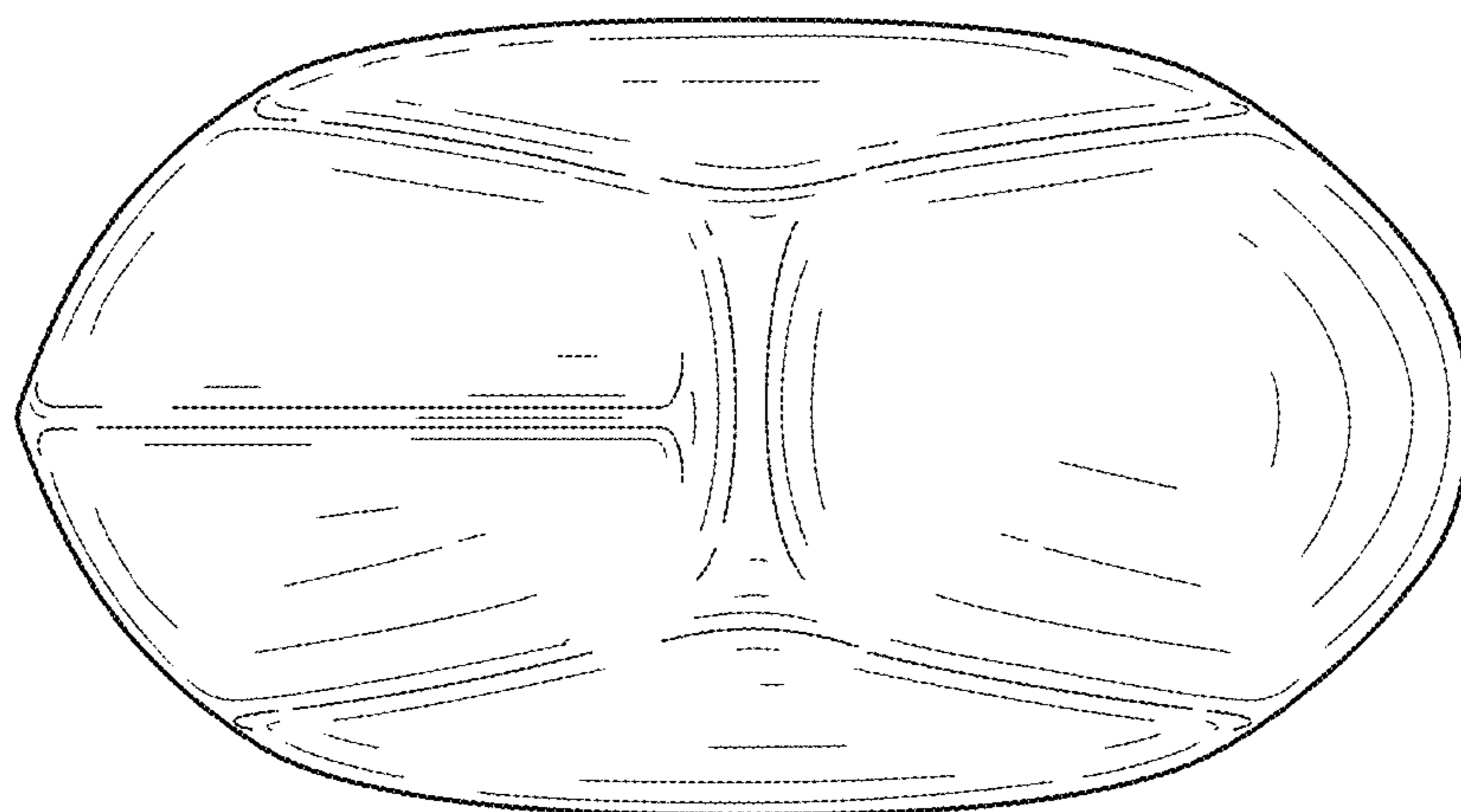


FIG. 12



**FIG. 13**



**FIG. 14**