



US00D855926S

(12) **United States Design Patent** (10) **Patent No.:** **US D855,926 S**
Segerstrom (45) **Date of Patent:** **** Aug. 6, 2019**

(54) **MAINTAINABLE PALLET CORNER**

(71) Applicant: **Lane Segerstrom**, Frisco, TX (US)

(72) Inventor: **Lane Segerstrom**, Frisco, TX (US)

(**) Term: **15 Years**

(21) Appl. No.: **29/606,716**

(22) Filed: **Jun. 7, 2017**

Related U.S. Application Data

(63) Continuation of application No. 29/547,630, filed on Dec. 4, 2015, now Pat. No. Des. 789,648.

(51) **LOC (12) Cl.** **09-08**

(52) **U.S. Cl.**
USPC **D34/38**

(58) **Field of Classification Search**
USPC D34/38; 108/51.11
CPC B65D 19/0038; B65D 19/0012; B65D 19/0095; B65D 19/38
See application file for complete search history.

(56) **References Cited**

U.S. PATENT DOCUMENTS

2,922,606	A	1/1960	Glassman et al.
3,677,200	A	7/1972	Coccagna et al.
4,128,253	A	12/1978	Powers
D267,386	S	12/1982	Kneale, III
D306,226	S	2/1990	Jirucha
5,007,352	A	4/1991	Calkoen
5,042,397	A	8/1991	Fiedler
5,197,396	A	3/1993	Breezer et al.
5,337,681	A	8/1994	Schrage
5,579,701	A	12/1996	Fook Wah
5,673,629	A	10/1997	Ginnow
5,834,105	A	11/1998	White et al.
5,967,056	A	10/1999	Plante
6,192,807	B1	2/2001	Mason
6,216,608	B1	4/2001	Woods et al.
6,357,366	B1	3/2002	Frankenberg

7,004,083	B2	2/2006	Ramirez von Holle et al.
7,557,714	B2	7/2009	Roeder et al.
7,802,527	B2	9/2010	Dong
D679,065	S	3/2013	Hershey et al.
8,627,773	B2	1/2014	Storteboom et al.
9,193,499	B2	11/2015	Jordan
D780,470	S	3/2017	Segerstrom

(Continued)

FOREIGN PATENT DOCUMENTS

CN	201381001	Y	1/2010
EP	1195600	A2	4/2002
WO	WO-2018/106264	A1	6/2018

OTHER PUBLICATIONS

International Search Report and Written Opinion for PCT Application No. PCT/US16/66010 dated Mar. 3, 2017.

(Continued)

Primary Examiner — Cynthia Ramirez
(74) *Attorney, Agent, or Firm* — Foley & Lardner LLP

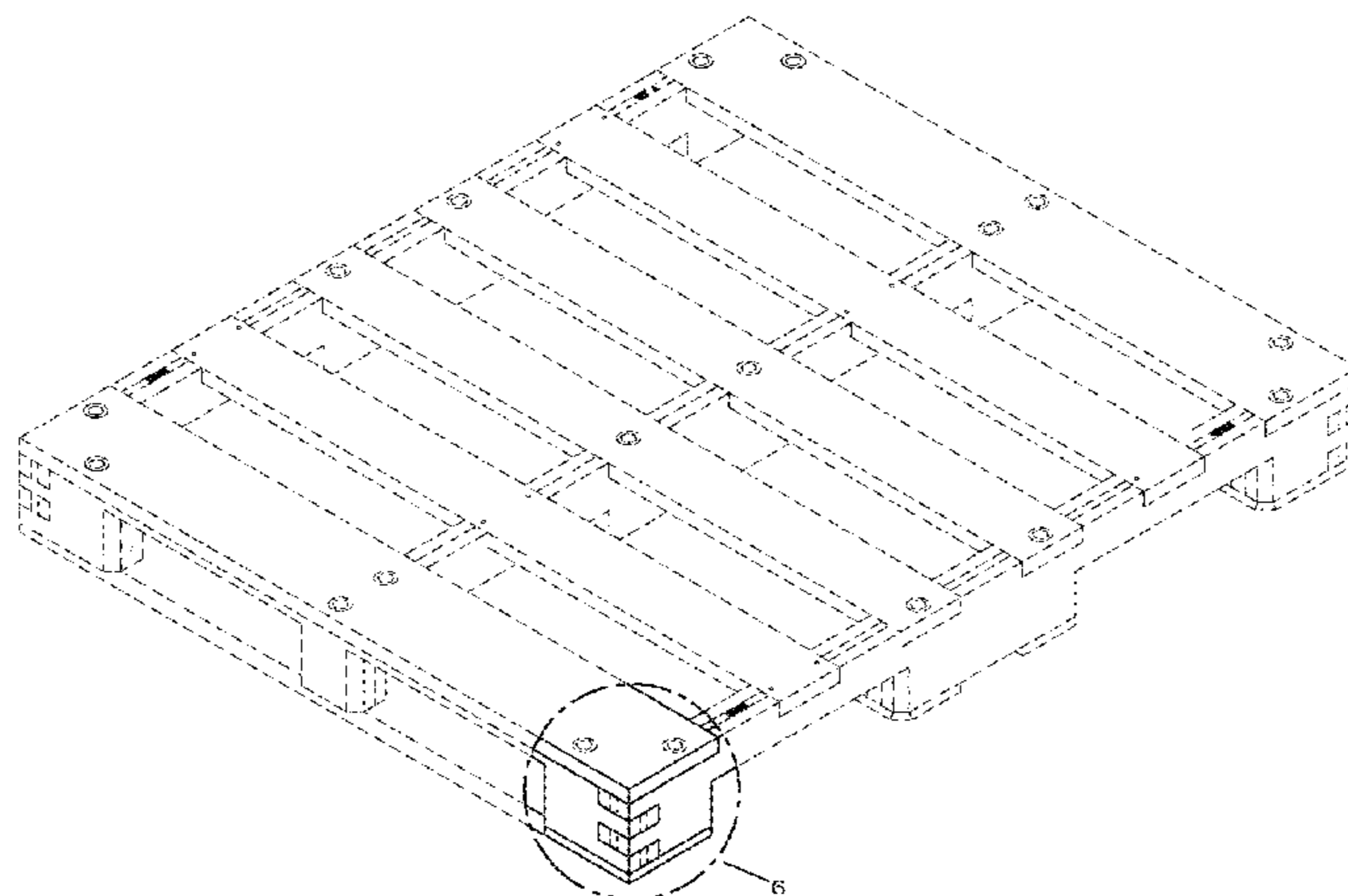
(57) **CLAIM**

The ornamental design for maintainable pallet corner, as shown and described.

DESCRIPTION

FIG. 1 is a perspective view of a maintainable pallet corner showing my design;
FIG. 2 is a top view thereof;
FIG. 3 is a right side view thereof;
FIG. 4 is a front view thereof
FIG. 5 is a bottom view thereof; and,
FIG. 6 is an enlarged view showing all the sides shown in FIGS. 1 through 5.
The broken lines shown in the figures are included for the purpose of illustrating portions of the maintainable pallet corner which form no part of the claimed design.

1 Claim, 5 Drawing Sheets



(56)

References Cited

U.S. PATENT DOCUMENTS

D789,648	S	6/2017	Segerstrom	
10,118,732	B2	11/2018	Segerstrom	
2007/0209557	A1*	9/2007	Hedstrom	B65D 19/0095 108/56.1
2008/0028998	A1*	2/2008	Hedstrom	B65D 19/0095 108/52.1
2008/0163800	A1*	7/2008	Reilly	B65D 5/0281 108/51.3
2008/0190810	A1*	8/2008	Steigerwald	B65D 19/12 206/600
2011/0303128	A1	12/2011	Linares	
2012/0298015	A1	11/2012	Jian	
2014/0174327	A1	6/2014	Whiteford	
2014/0251188	A1	9/2014	Jordan	
2014/0251189	A1	9/2014	Takyar	
2014/0251190	A1	9/2014	Kessler	
2015/0274358	A1	10/2015	Hidalgo	
2015/0298854	A1	10/2015	Linares	
2015/0321792	A1	11/2015	Joung	
2015/0360809	A1	12/2015	McBride et al.	
2018/0162588	A1	6/2018	Segerstrom	

OTHER PUBLICATIONS

U.S. Appl. No. 15/374,940, Co-Pending Patent Application entitled Maintainable Pallet, Inventor Lane Segerstrom, filed Dec. 9, 2016.
 U.S. Appl. No. 15/374,940, Final Office Action dated Apr. 20, 2018.
 U.S. Appl. No. 15/374,940, Non-Final Office Action dated Nov. 13, 2017.
 U.S. Appl. No. 29/547,630, Notice of Allowance dated Feb. 8, 2017, 7 pgs.
 U.S. Appl. No. 16/181,251, filed Nov. 5, 2018, Maintainable Pallet.

* cited by examiner

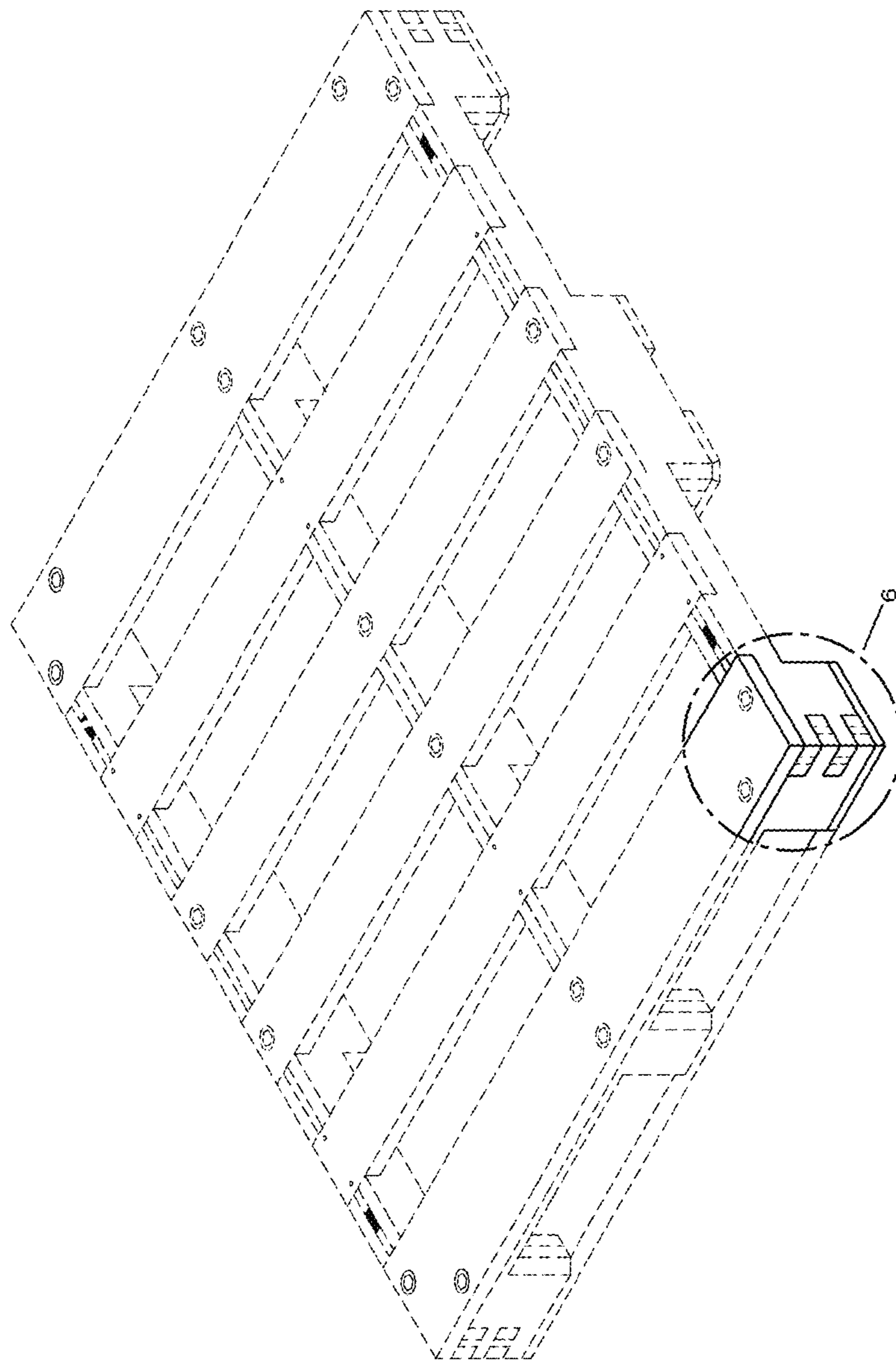
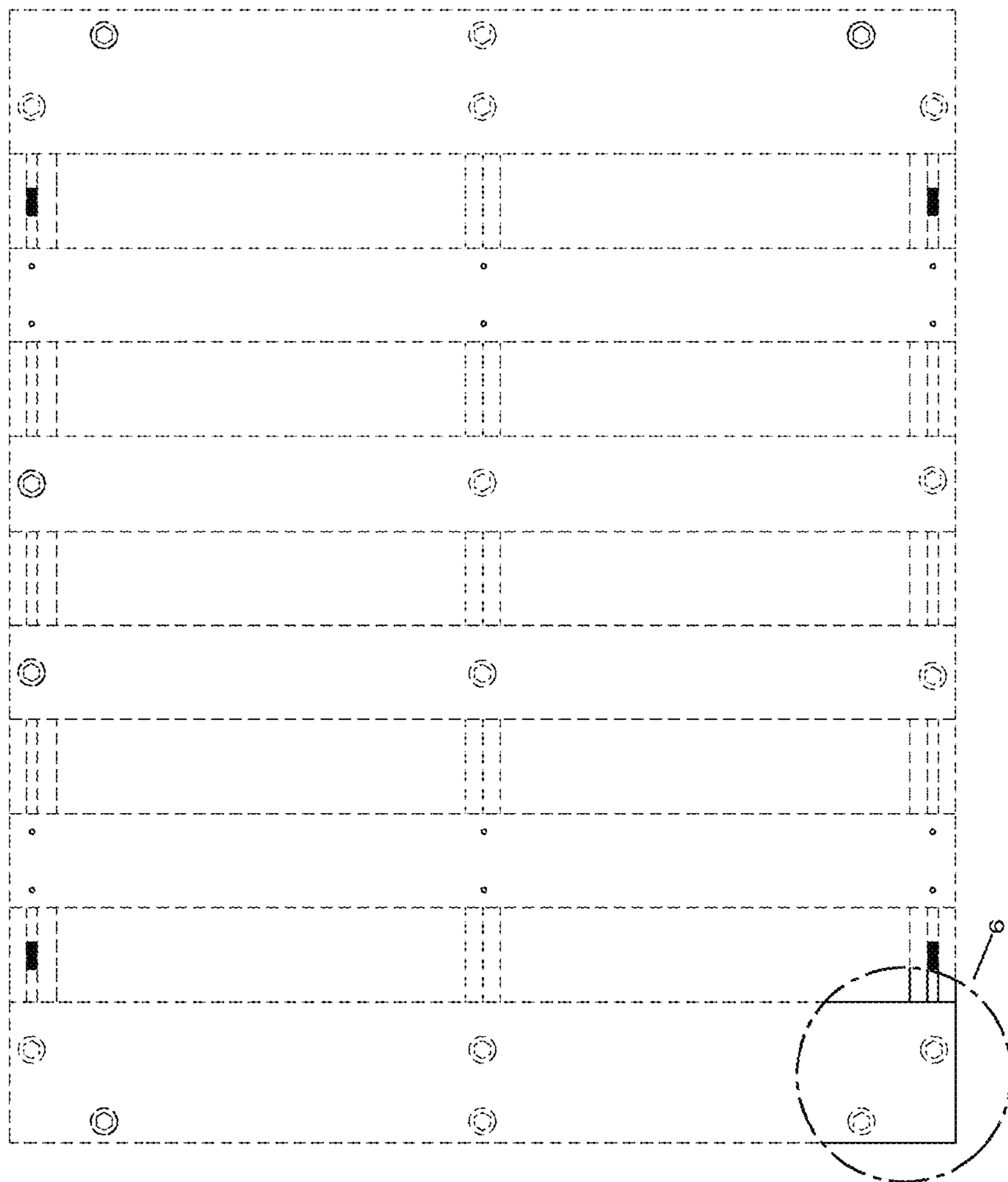


FIG. 1

FIG. 2



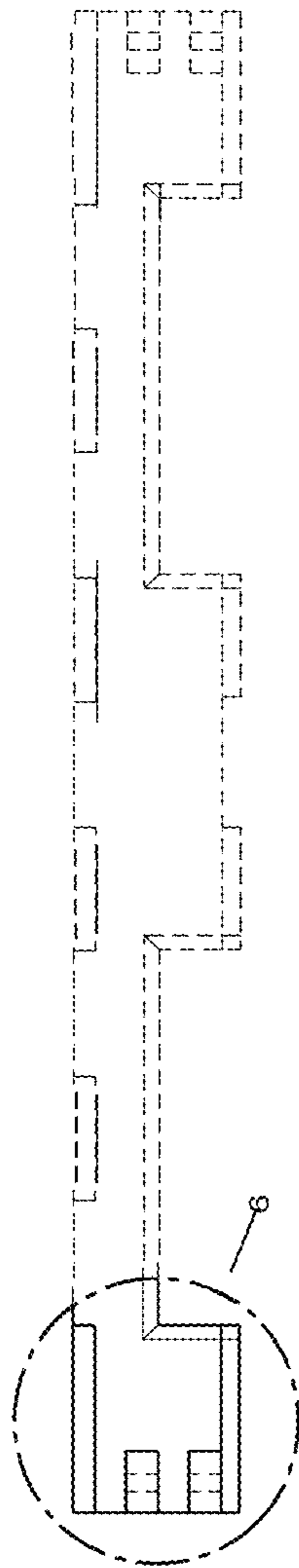


FIG. 3

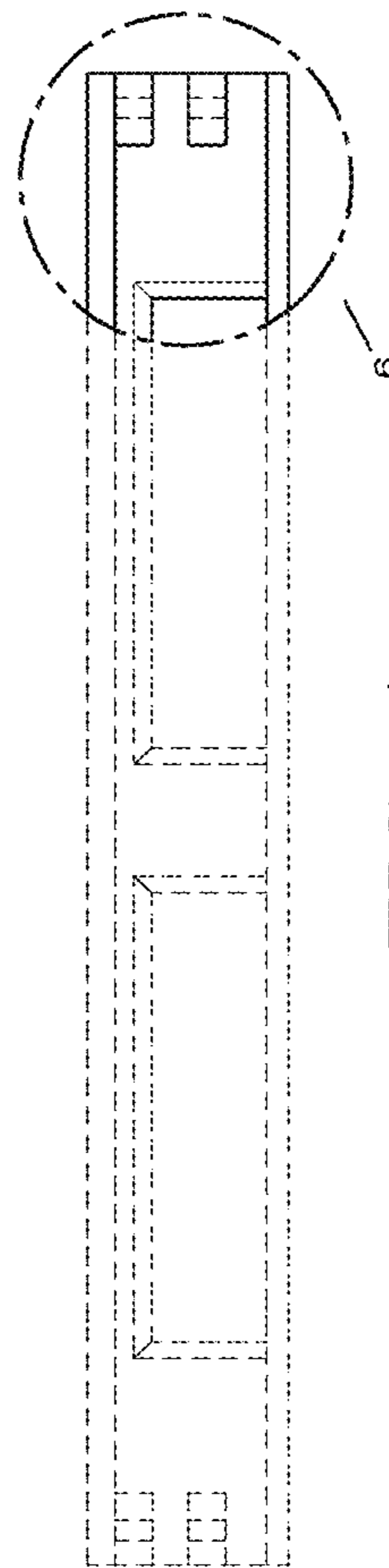
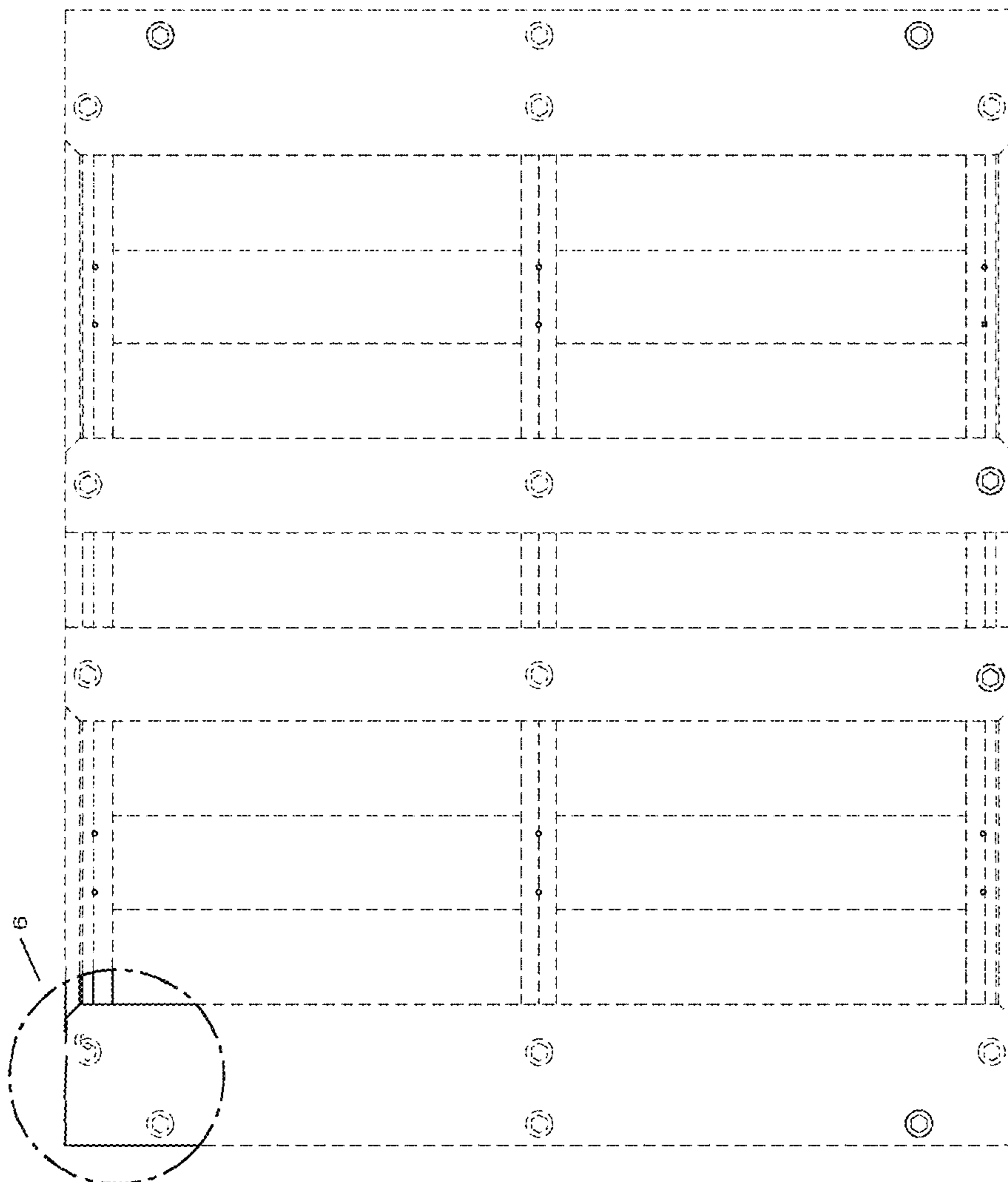


FIG. 4

FIG. 5



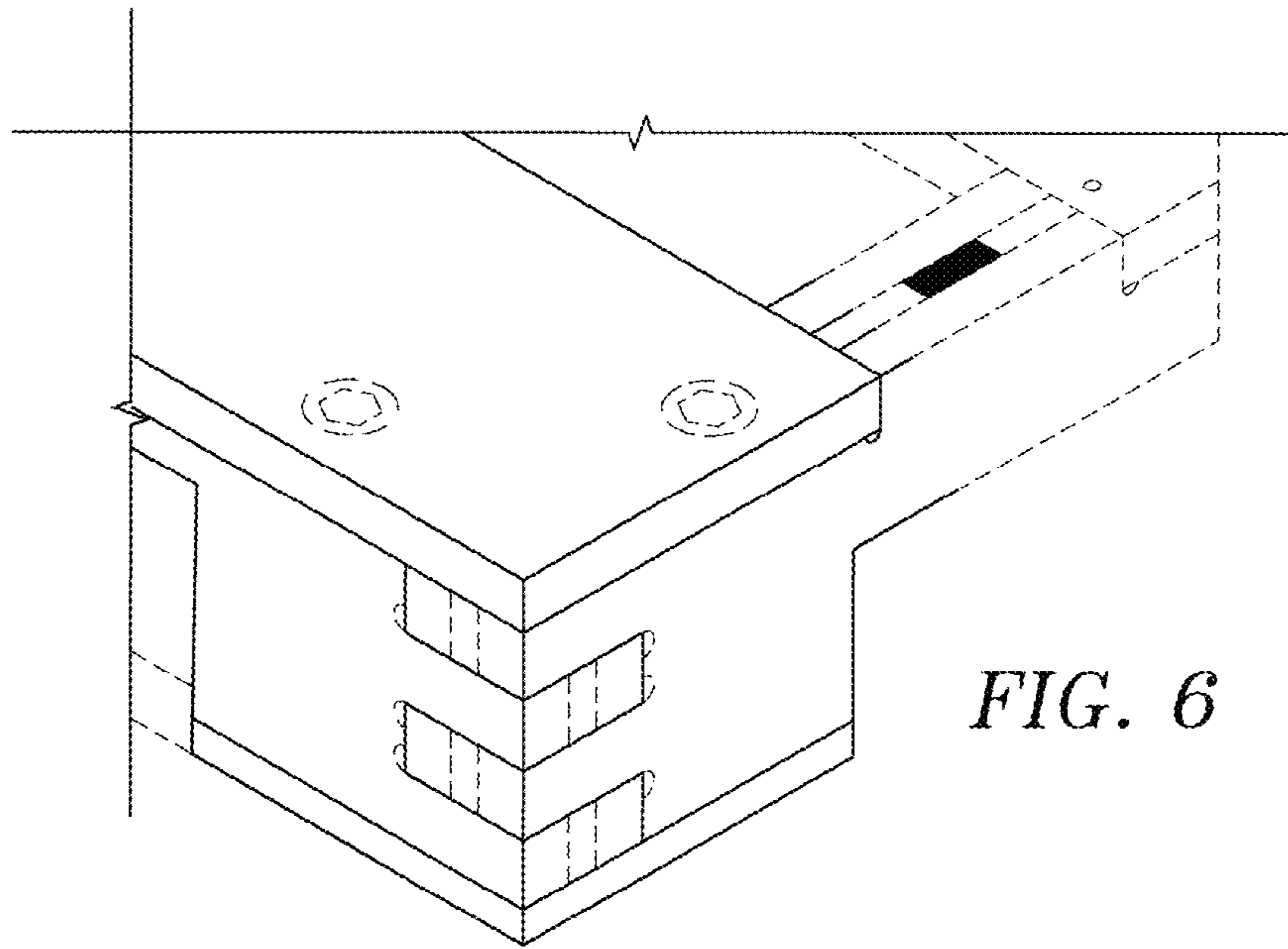


FIG. 6