



US00D855925S

(12) **United States Design Patent**  
**Chen et al.**

(10) **Patent No.:** **US D855,925 S**

(45) **Date of Patent:** **\*\* Aug. 6, 2019**

(54) **VEHICLE**

(71) Applicant: **BYD COMPANY LIMITED,**  
Shenzhen, Guangdong (CN)

(72) Inventors: **Chan Chen,** Shenzhen (CN); **Yuyou Li,** Shenzhen (CN); **Baowei Cao,** Shenzhen (CN)

(73) Assignee: **BYD COMPANY LIMITED,**  
Shenzhen (CN)

(\*\*) Term: **15 Years**

(21) Appl. No.: **29/645,366**

(22) Filed: **Apr. 25, 2018**

(30) **Foreign Application Priority Data**

Oct. 31, 2017 (CN) ..... 2017 3 0526254

(51) **LOC (12) Cl.** ..... **12-05**

(52) **U.S. Cl.**  
USPC ..... **D34/34**

(58) **Field of Classification Search**  
USPC ..... D34/34, 35, 28; D12/85, 8, 11, 14, 56,  
D12/57; 187/222, 234, 226, 238, 631,  
187/575, 592; 414/631, 575, 592;  
180/89.12, 89.13, 89.17  
CPC ..... B66F 9/24; B66F 9/08; B66F 9/07563;  
B66F 9/075; B66F 9/082; B66F 9/122;  
B66F 9/146; B66F 9/0755  
See application file for complete search history.

(56) **References Cited**

**U.S. PATENT DOCUMENTS**

D262,613 S \* 1/1982 Frees ..... D34/34  
D324,006 S \* 2/1992 Oslapas ..... D12/1

D373,888 S \* 9/1996 Soederberg ..... D34/34  
D379,020 S \* 4/1997 Avitan ..... D34/34  
D407,176 S \* 3/1999 Henshaw ..... D34/34  
D542,005 S \* 5/2007 Weiner ..... D34/34  
D562,525 S \* 2/2008 Graf ..... D34/34  
D585,623 S \* 1/2009 Quinlan, Jr. .... D34/34  
D608,074 S \* 1/2010 Berger ..... D34/34  
D608,075 S \* 1/2010 Berger ..... D34/34  
D608,521 S \* 1/2010 Berger ..... D34/34  
D608,522 S \* 1/2010 Berger ..... D34/34  
D730,614 S \* 5/2015 Wu ..... D34/34  
D750,339 S \* 2/2016 Miggels ..... D34/35  
D756,589 S \* 5/2016 Knie ..... D34/34

\* cited by examiner

*Primary Examiner* — Mark A Goodwin

(74) *Attorney, Agent, or Firm* — Calfee, Halter &  
Griswold LLP; Joshua Friedman; Yizhou Liu

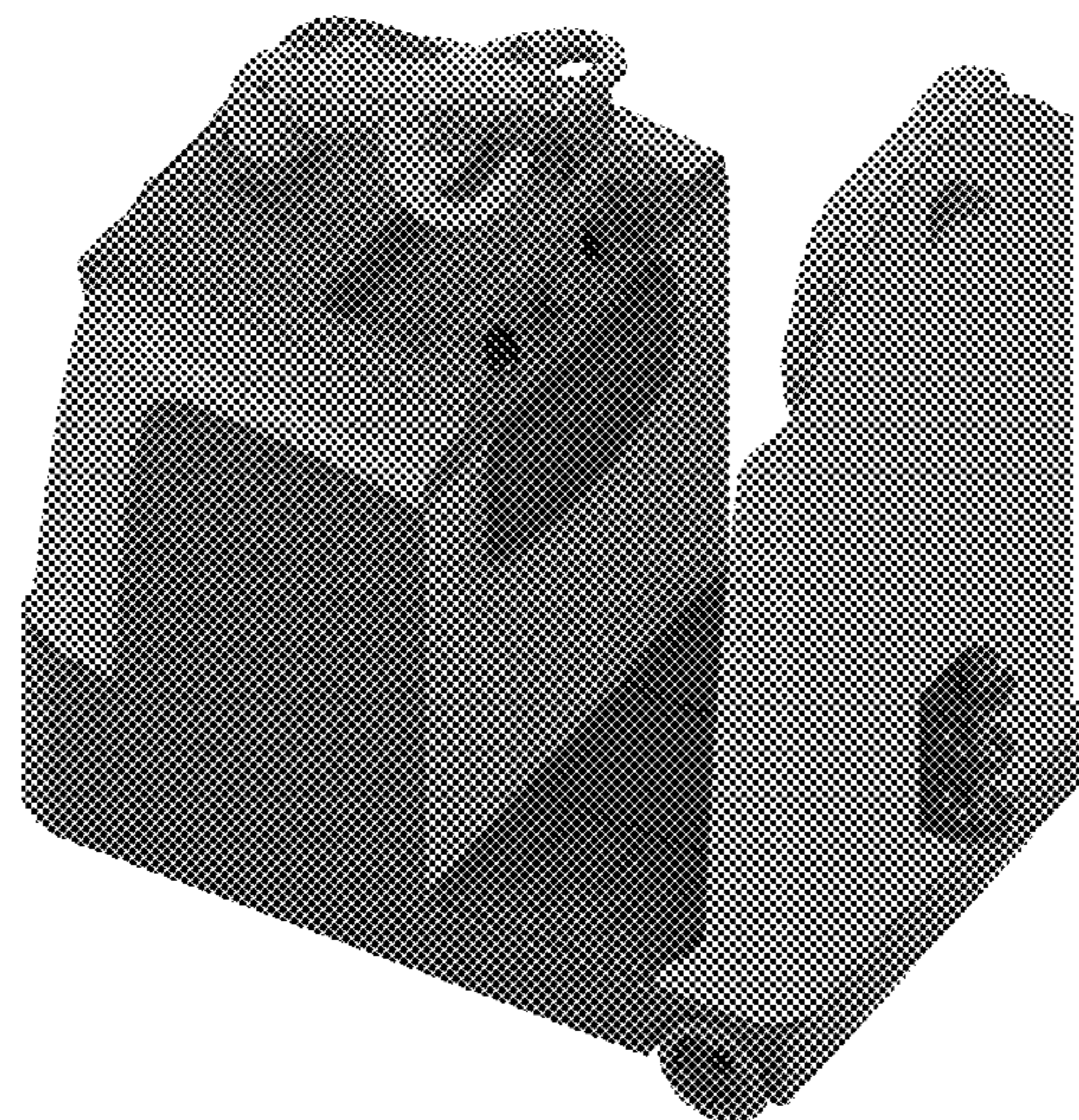
(57) **CLAIM**

We claim the ornamental design for a vehicle, as shown and described.

**DESCRIPTION**

FIG. 1 is a drawing of a front elevational view of a vehicle of the present design;  
FIG. 2 is a rear elevational view thereof;  
FIG. 3 is a right side elevational view thereof;  
FIG. 4 is a left side elevational view thereof;  
FIG. 5 is a top plan view thereof;  
FIG. 6 is a top/rear/left perspective view thereof; and,  
FIG. 7 is a top/front/left perspective view thereof.  
The bottom view forms no part of the claimed design. The drawings include surface shading that represents contour and not surface ornamentation.

**1 Claim, 7 Drawing Sheets**





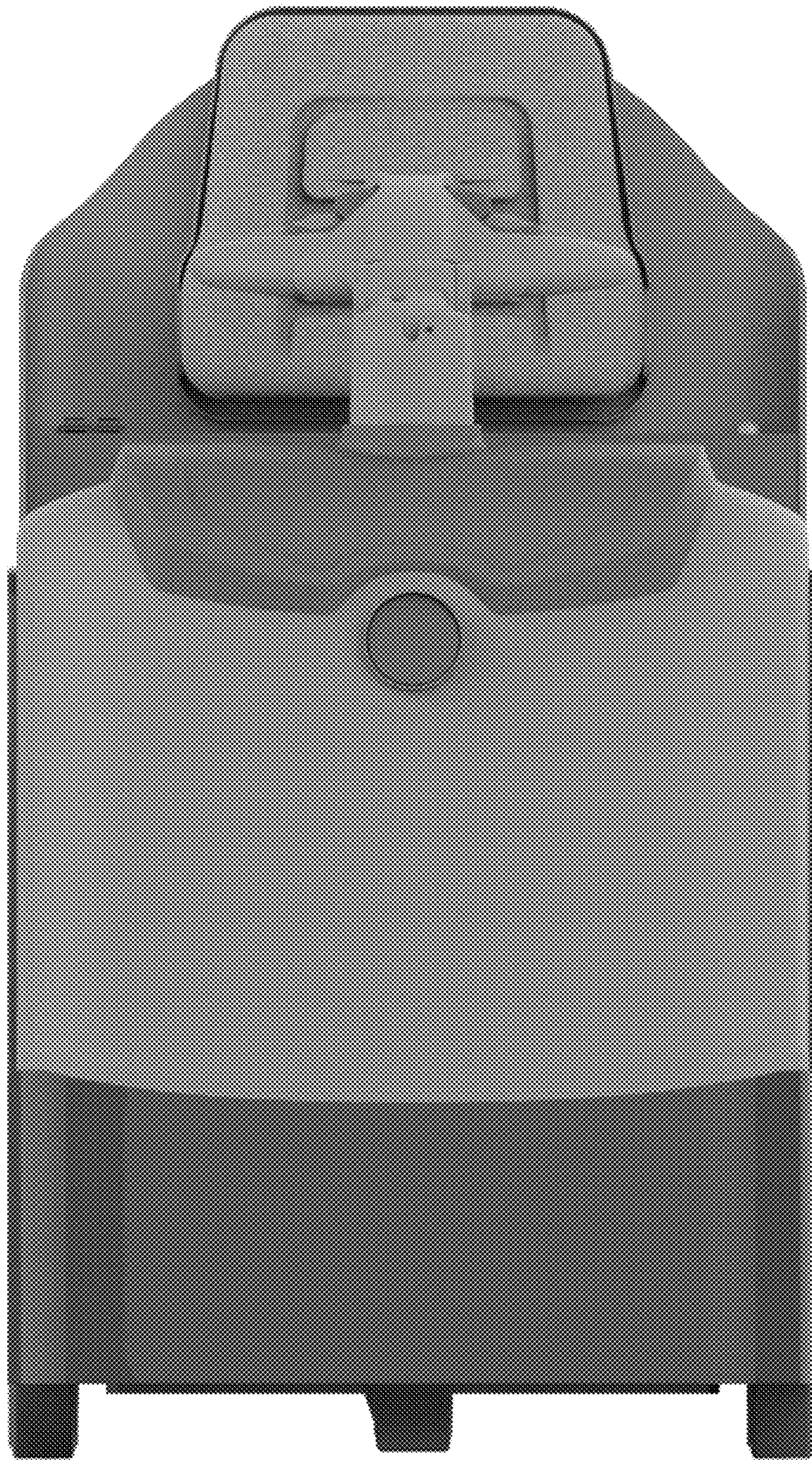


FIG. 1



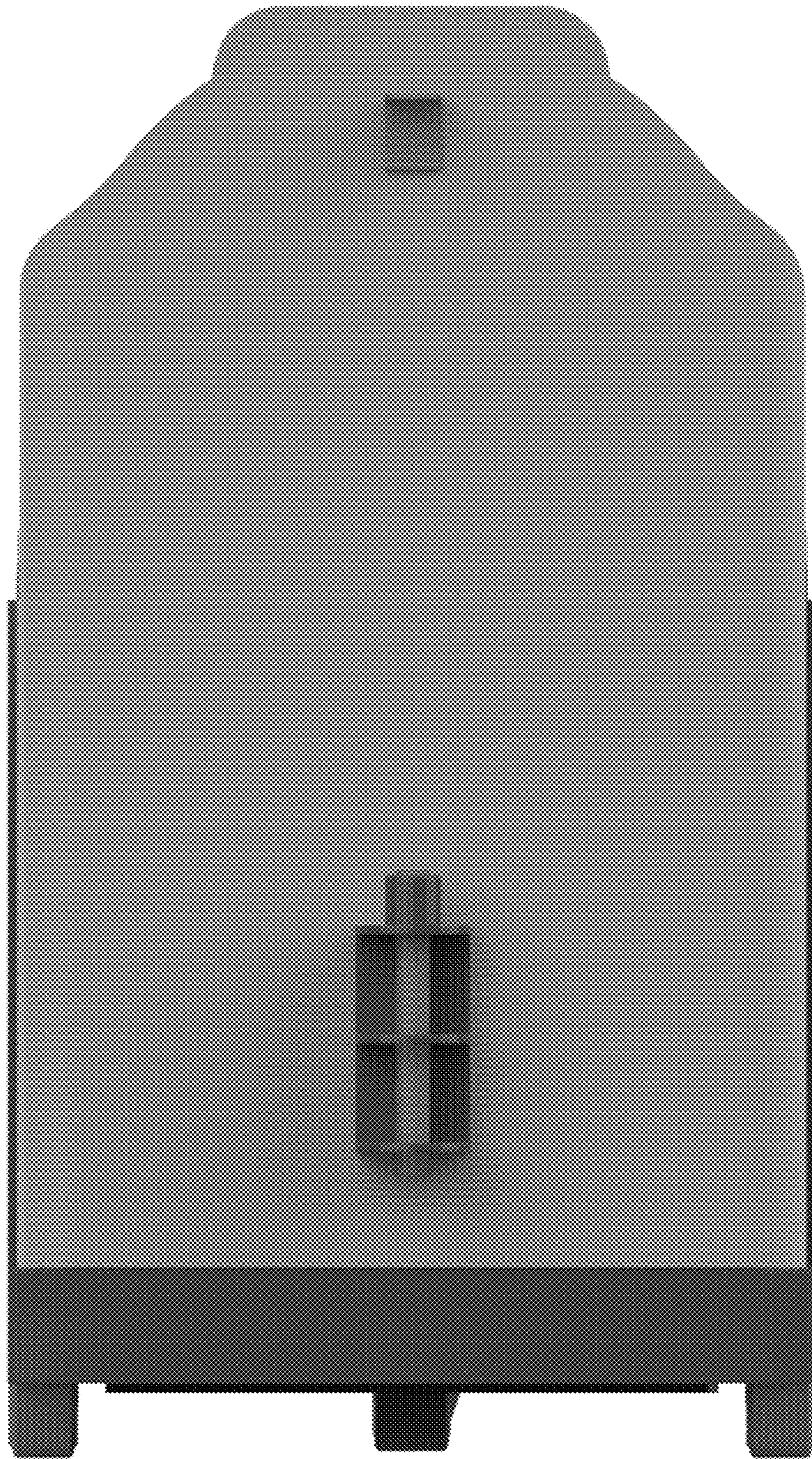


FIG. 2



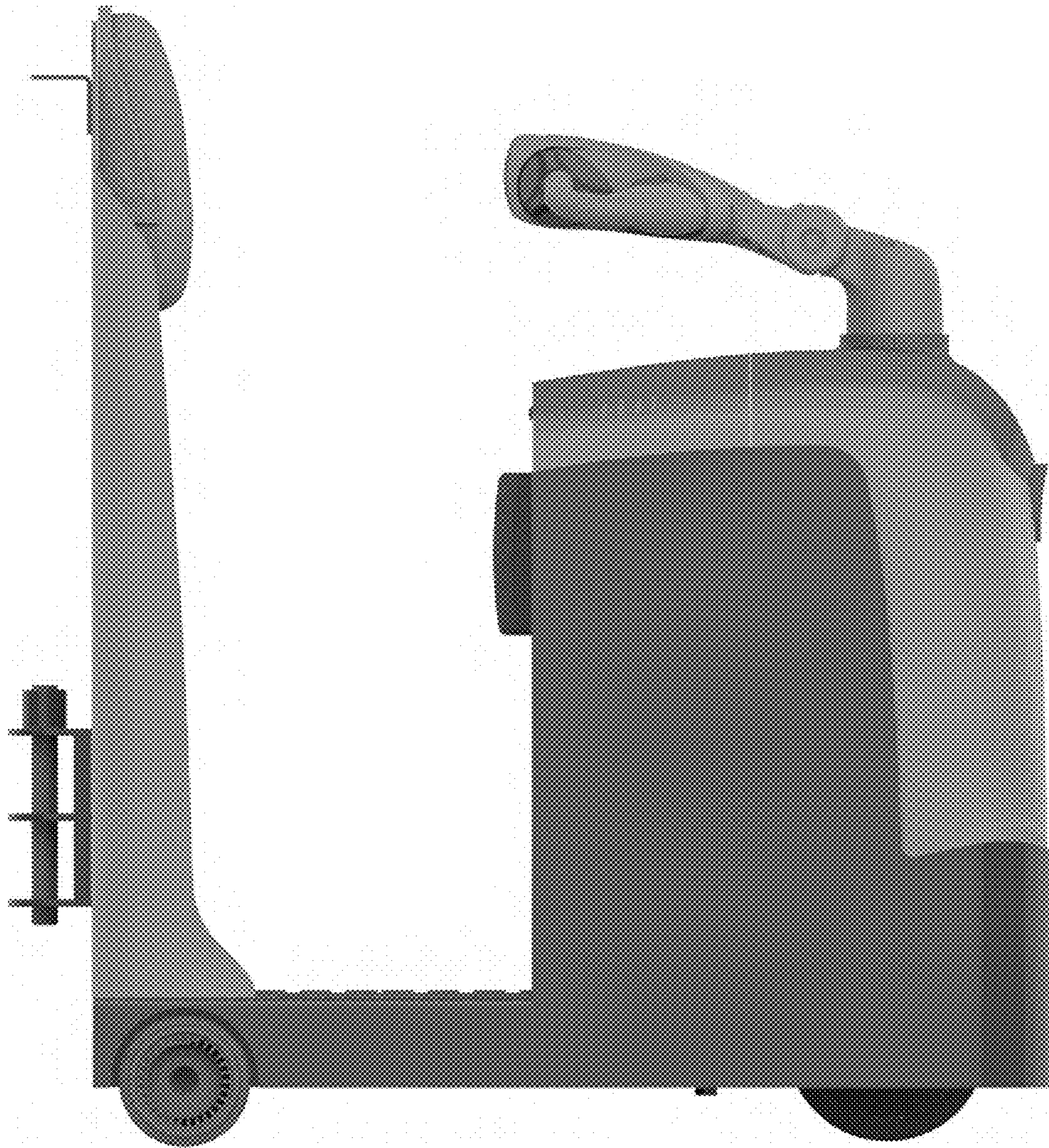


FIG. 3



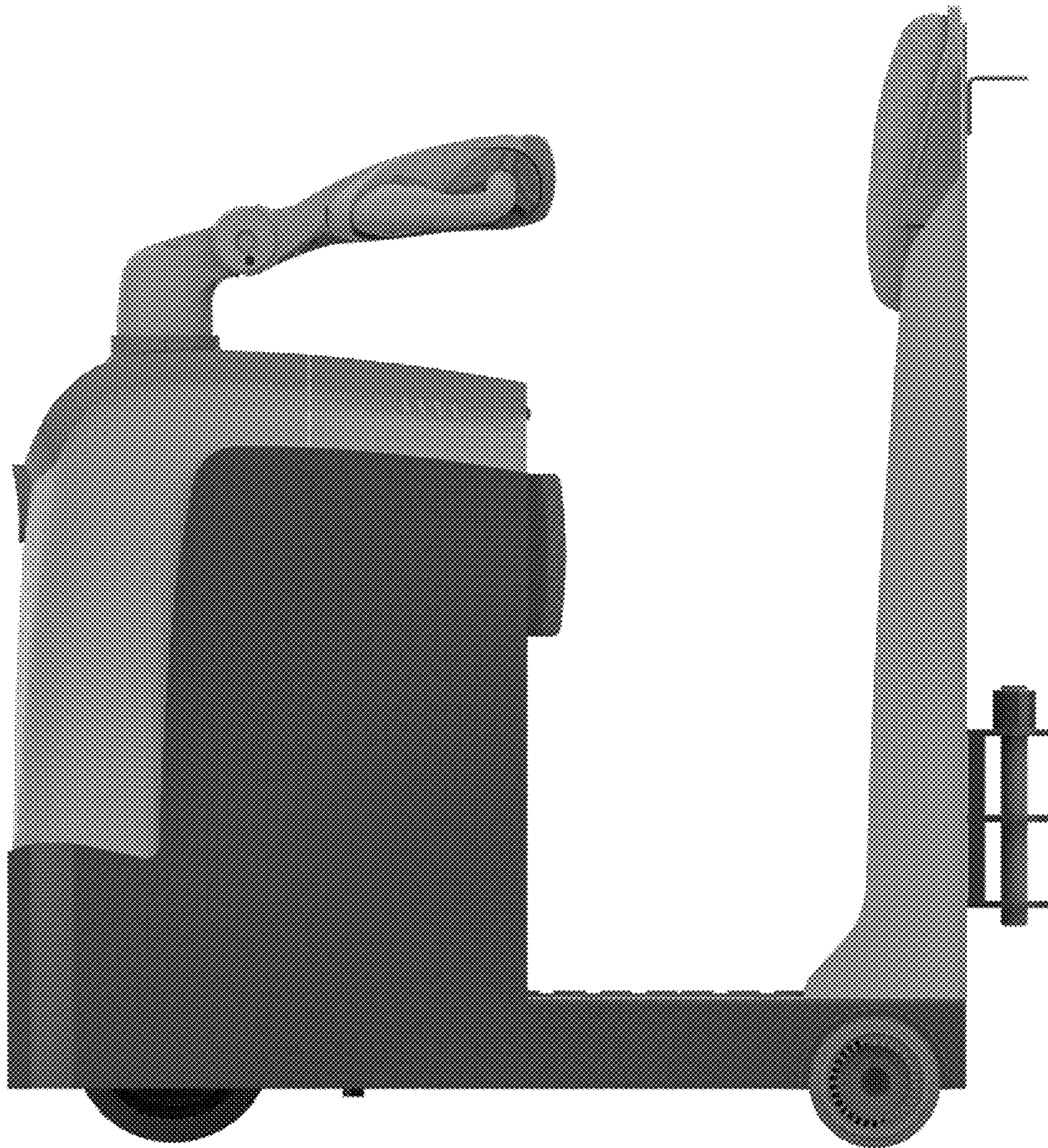


FIG. 4



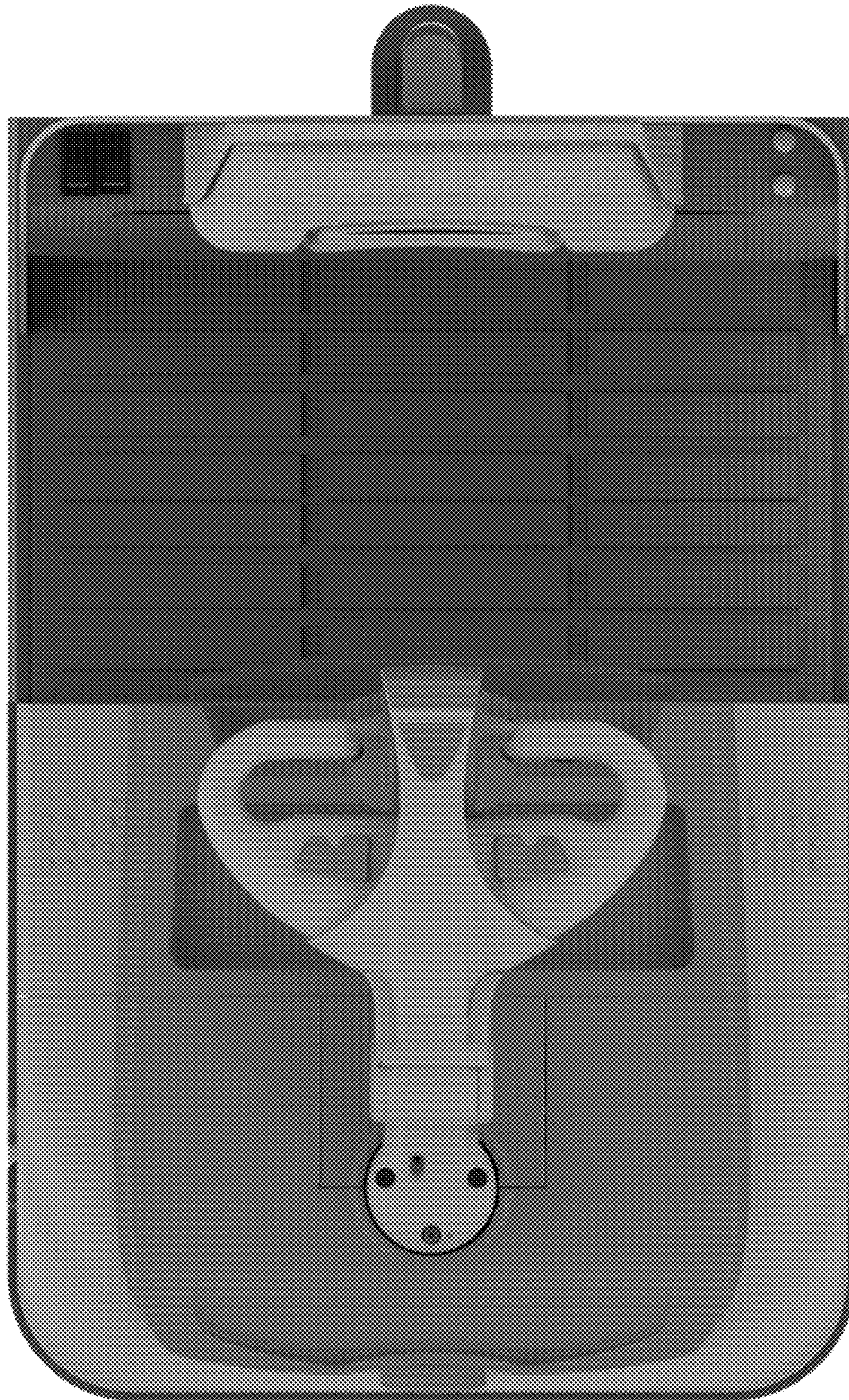


FIG. 5



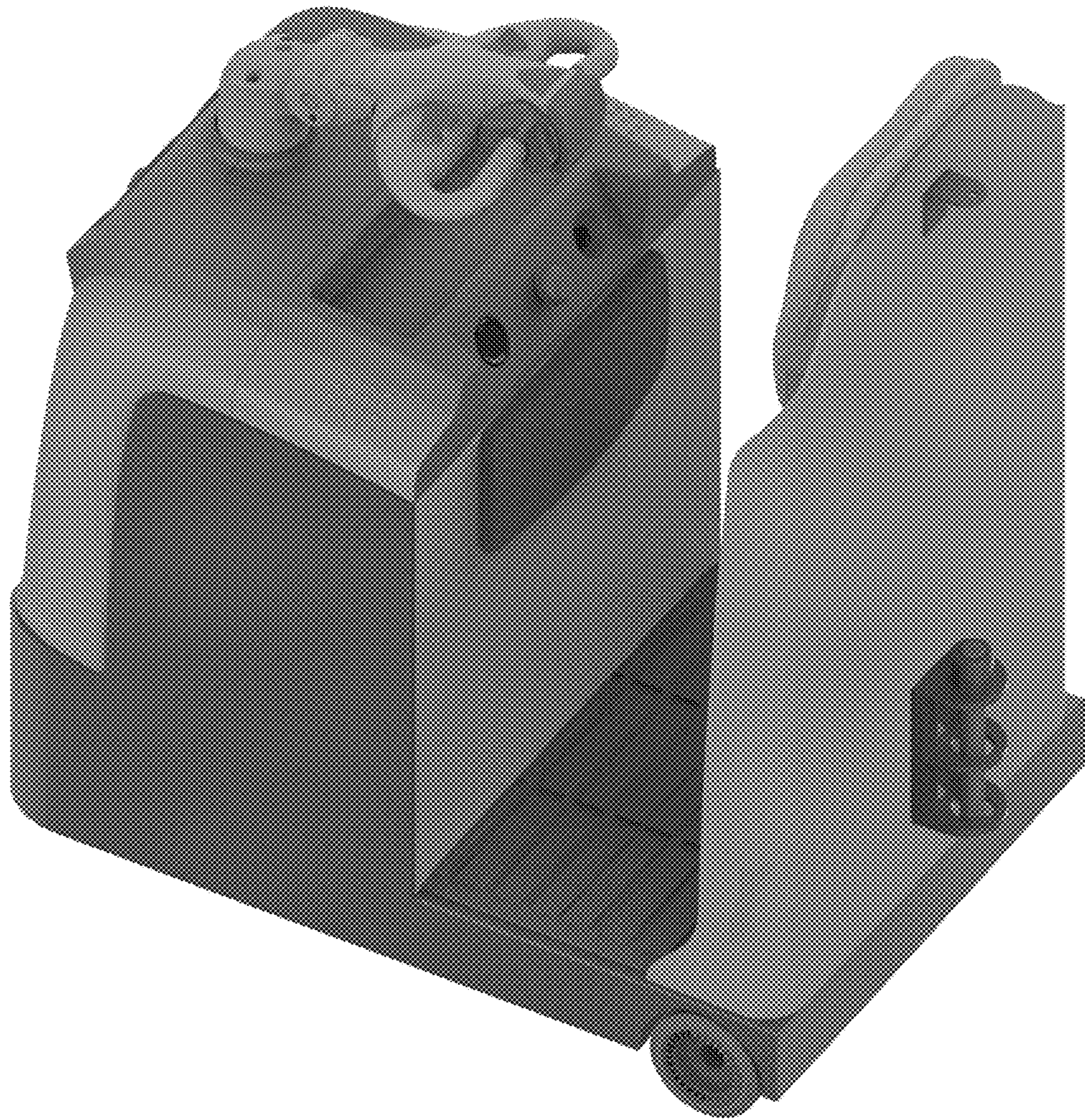


FIG. 6



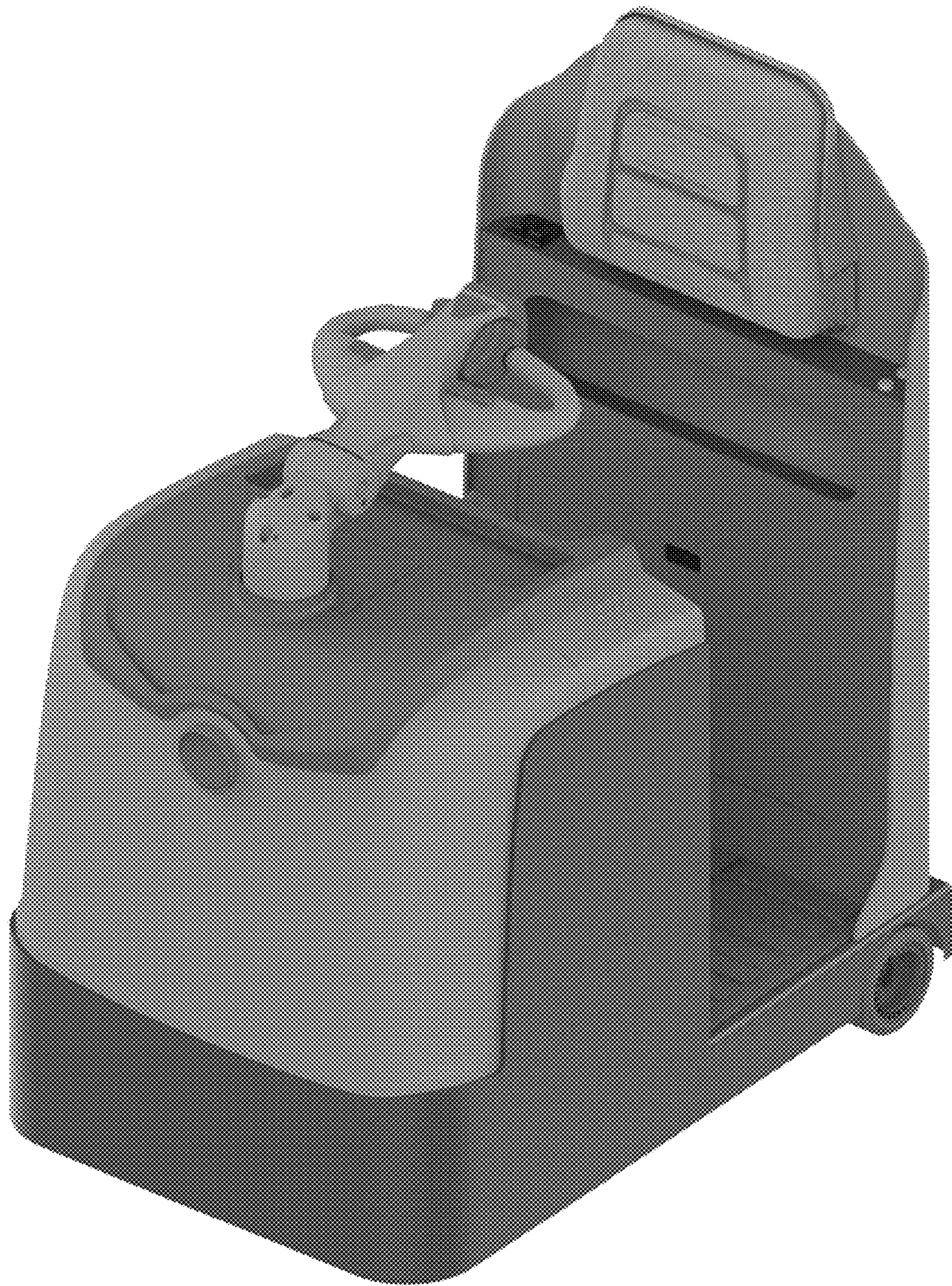


FIG. 7