



US00D855923S

(12) **United States Design Patent**
Xu

(10) **Patent No.:** **US D855,923 S**

(45) **Date of Patent:** **** Aug. 6, 2019**

- (54) **AERIAL WORK PLATFORM** 2013/0153333 A1* 6/2013 Richards B66F 11/044
182/18
- (71) Applicant: **Zhejiang Dingli Machinery Co., LTD,** 2013/0233645 A1* 9/2013 Hao B66F 11/044
Deqing, Zhejiang (CN) 182/19
- (72) Inventor: **Shugen Xu,** Zhejiang (CN) 2016/0137471 A1* 5/2016 Dittus B66F 11/044
182/18
- (73) Assignee: **Zhejiang Dingli Machinery Co., LTD** 2016/0214843 A1* 7/2016 Parot B66F 11/044
(CN) 2016/0221812 A1* 8/2016 Puskiewicz B66F 17/006
2017/0341566 A1* 11/2017 Luminet B60Q 1/245

* cited by examiner

(**) Term: **15 Years**

Primary Examiner — Cynthia Ramirez

Assistant Examiner — Gino Colan

(21) Appl. No.: **29/606,078**

(74) *Attorney, Agent, or Firm* — Lerner, David,

(22) Filed: **Jun. 1, 2017**

Littenberg, Krumholz & Mentlik, LLP

(30) **Foreign Application Priority Data**

(57) **CLAIM**

The ornamental design for an aerial work platform, as shown and described.

Dec. 2, 2016 (CN) 2016 3 0590210

(51) **LOC (12) Cl.** **12-05**

DESCRIPTION

(52) **U.S. Cl.**
USPC **D34/34**

(58) **Field of Classification Search**
USPC D34/34, 28, 33, 35, 36, 37; 182/2.11,
182/2.9, 2.8, 18, 19, 63.1

CPC B66F 11/046; B66F 9/061; B66F 17/006;
B66F 9/0655; B66F 11/044; B66F 11/04
See application file for complete search history.

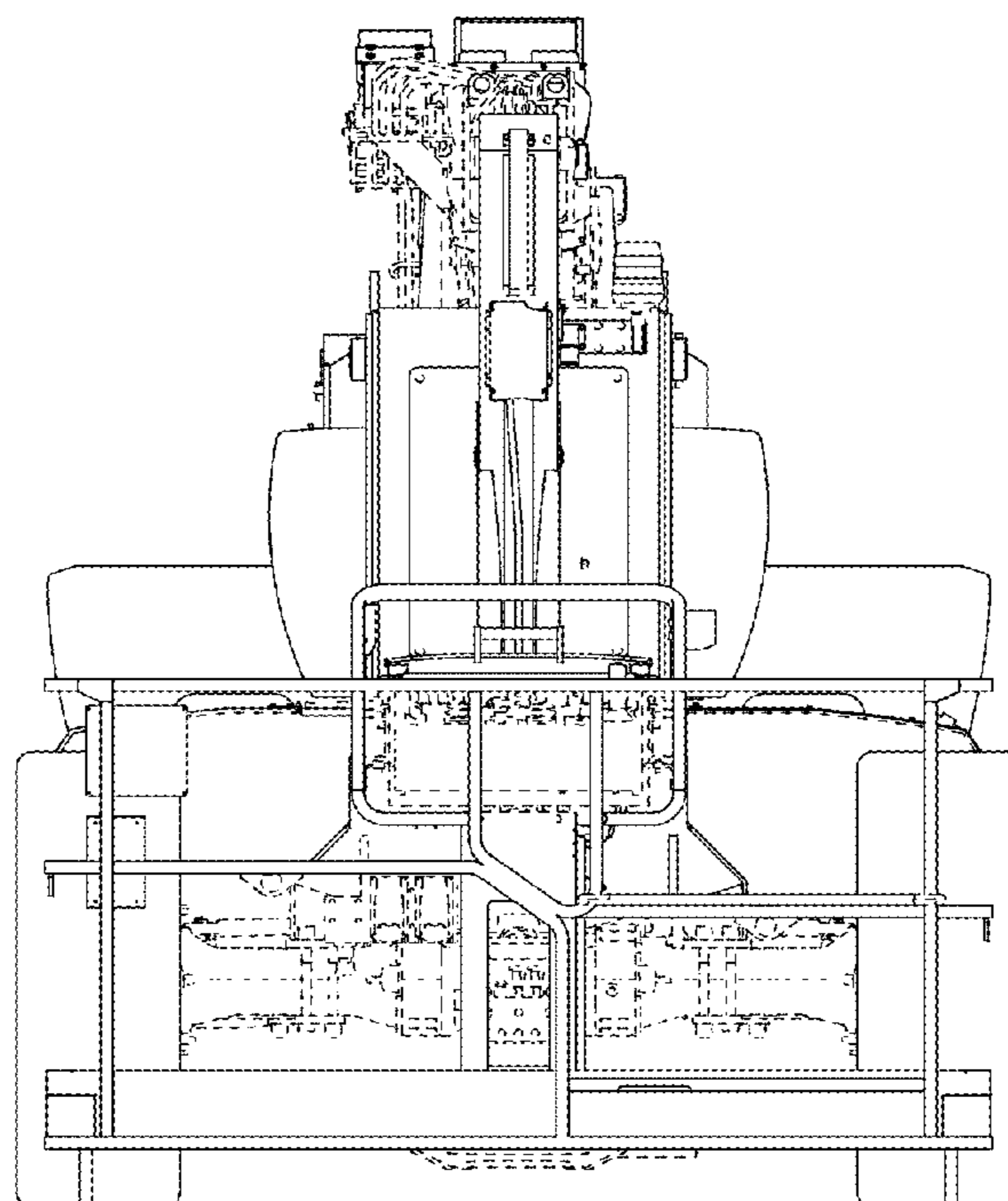
FIG. 1 is a front view of an aerial work platform according to my design;
FIG. 2 is a rear view thereof;
FIG. 3 is a right side view thereof;
FIG. 4 is a left side elevational view thereof;
FIG. 5 is a top plan view thereof;
FIG. 6 is a bottom plan view thereof;
FIG. 7 is a rear perspective view thereof;
FIG. 8 is a right side perspective view thereof; and,
FIG. 9 is a reference view thereof in an expanded position.
The broken lines shown in the figures are included for the purpose of illustrating portions of the aerial work platform that form no part of the claimed design.

(56) **References Cited**

U.S. PATENT DOCUMENTS

- D773,146 S * 11/2016 Sauvaget D34/34
- 2013/0087411 A1* 4/2013 Shade B60K 7/0015
182/63.1

1 Claim, 8 Drawing Sheets



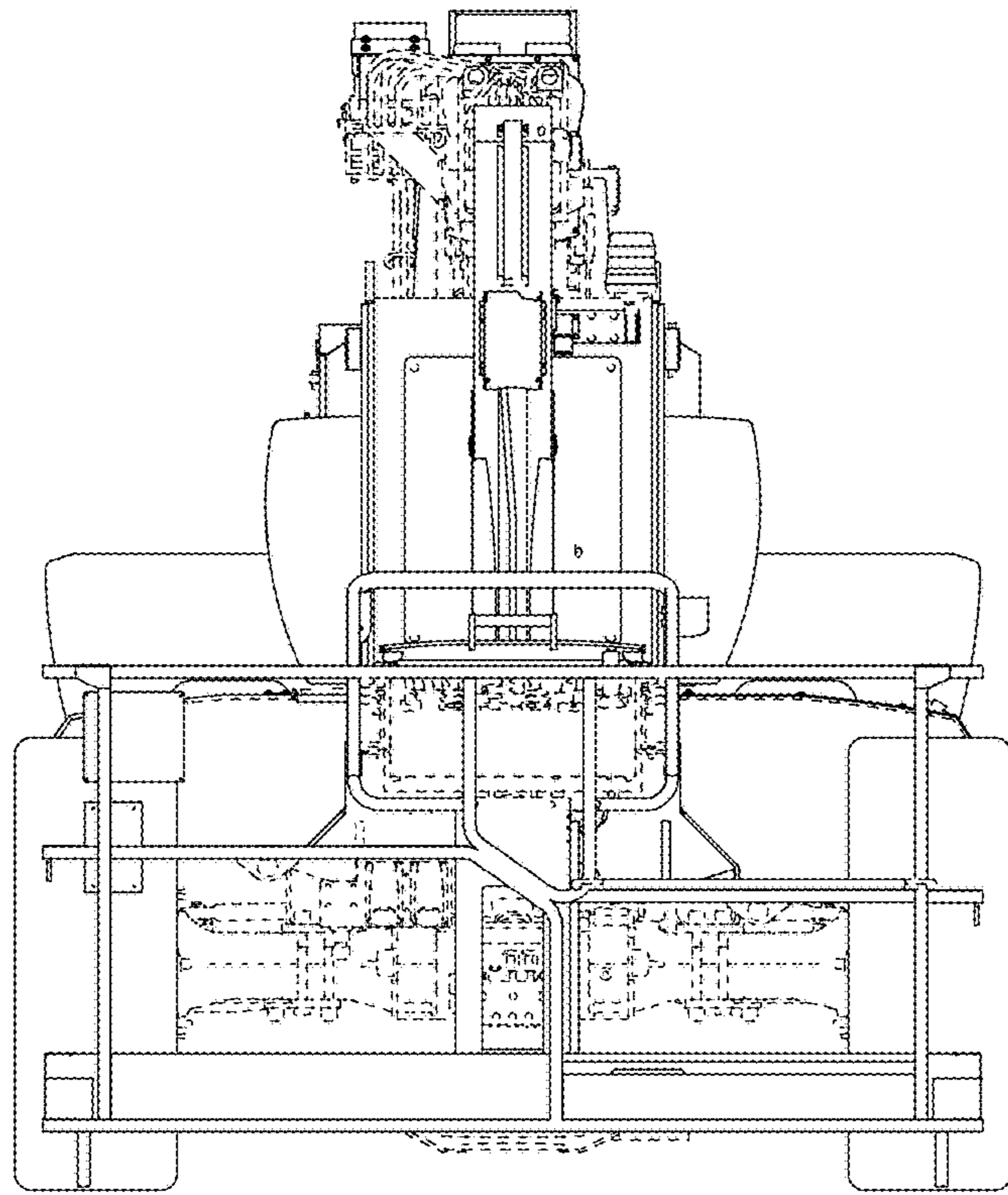


FIG. 1

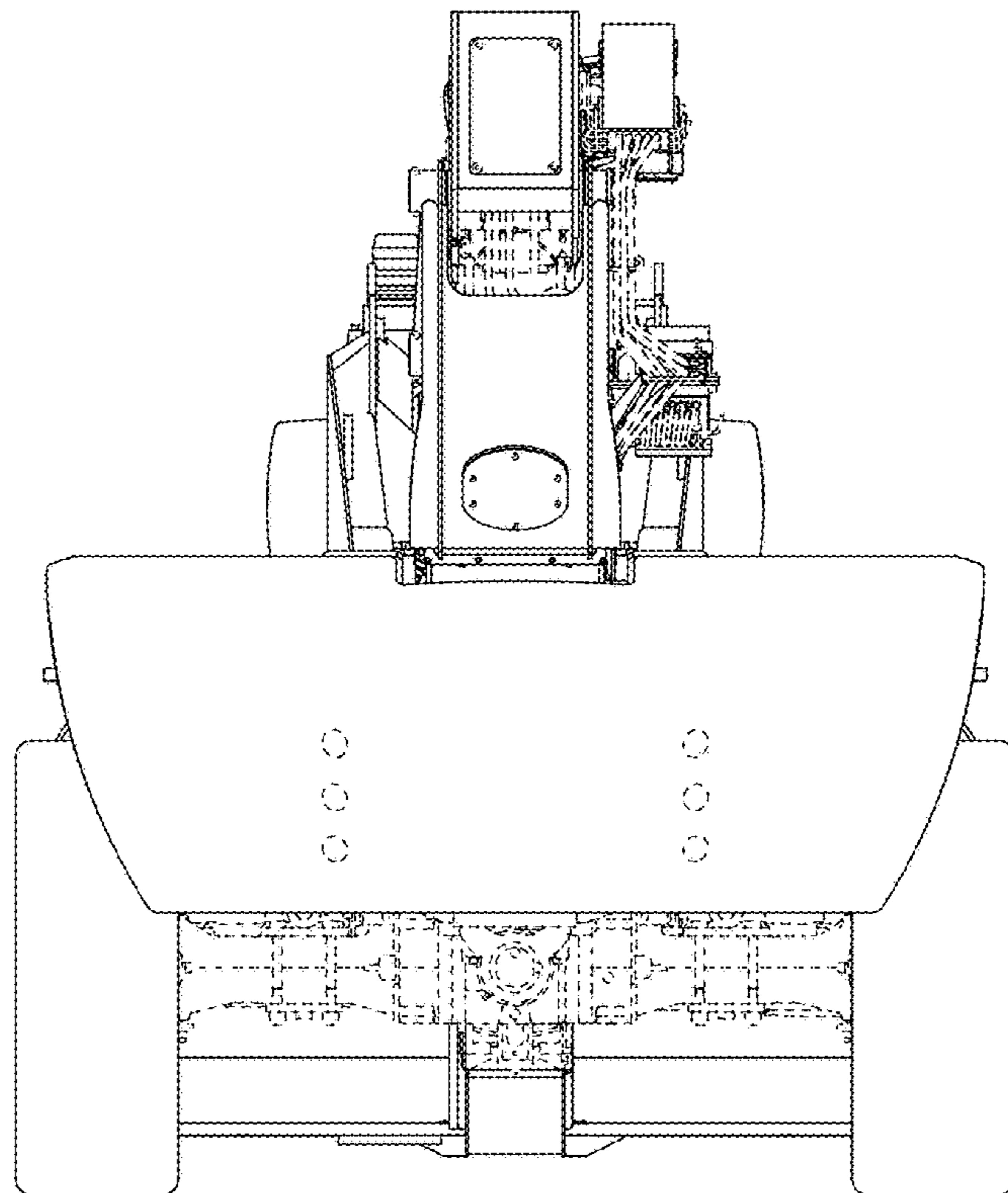


FIG. 2

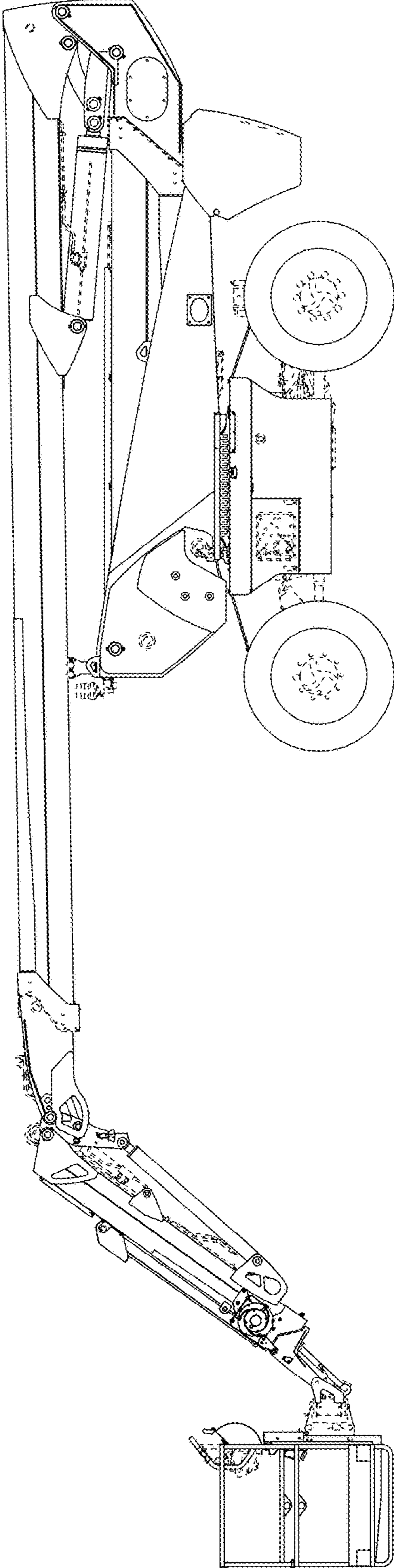


FIG. 3

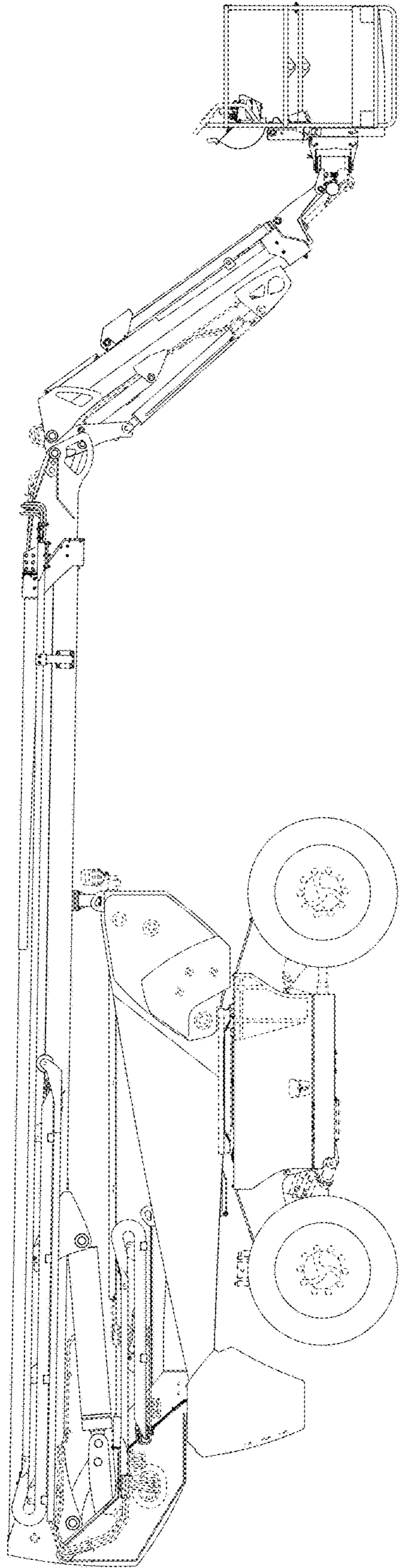


FIG. 4

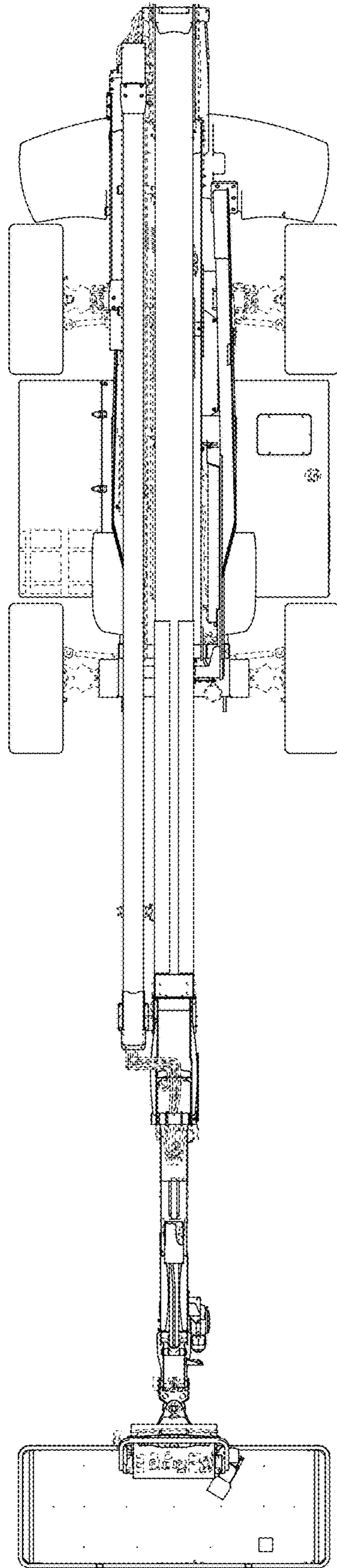


FIG. 5

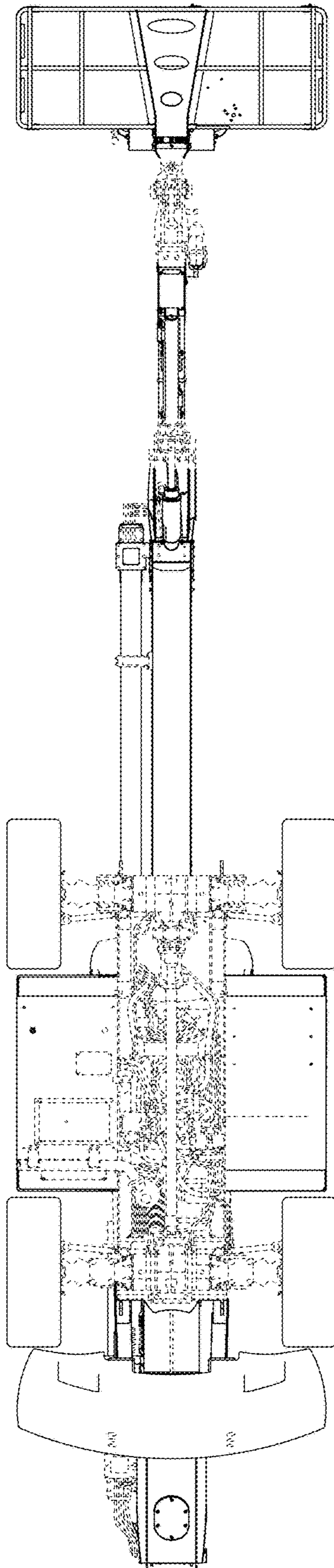


FIG. 6

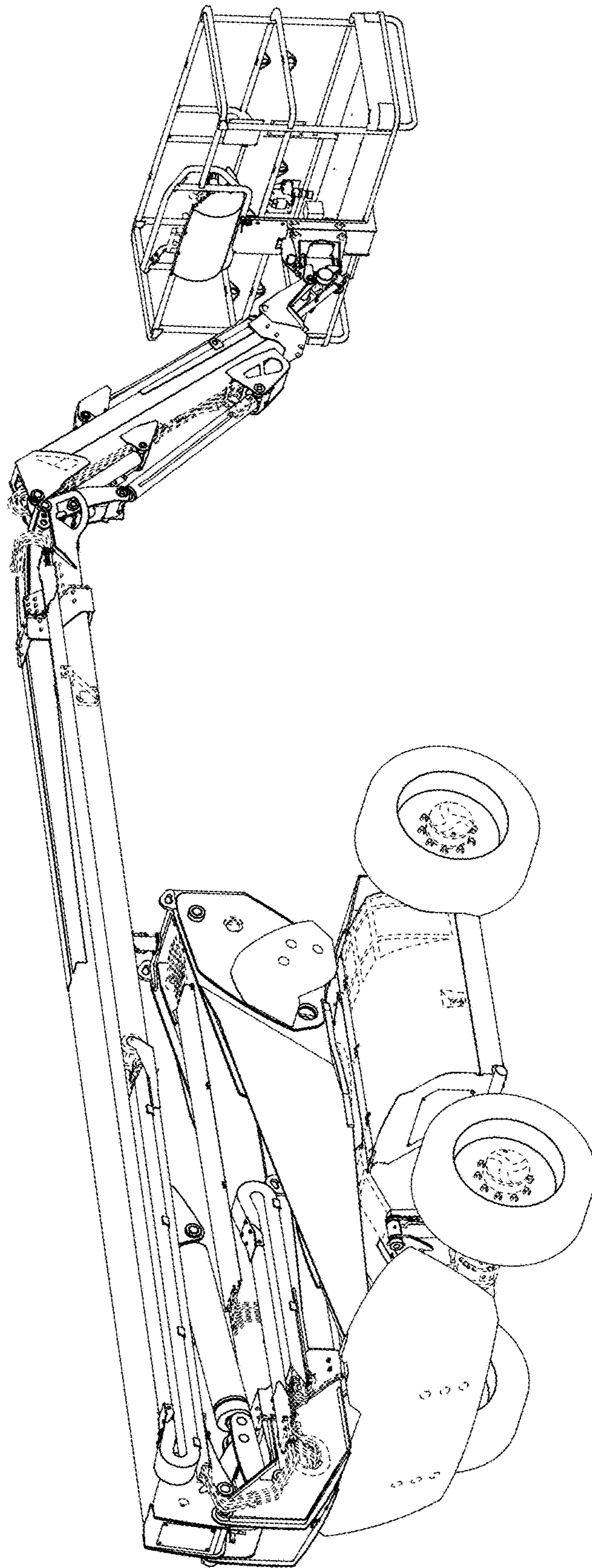


FIG. 7

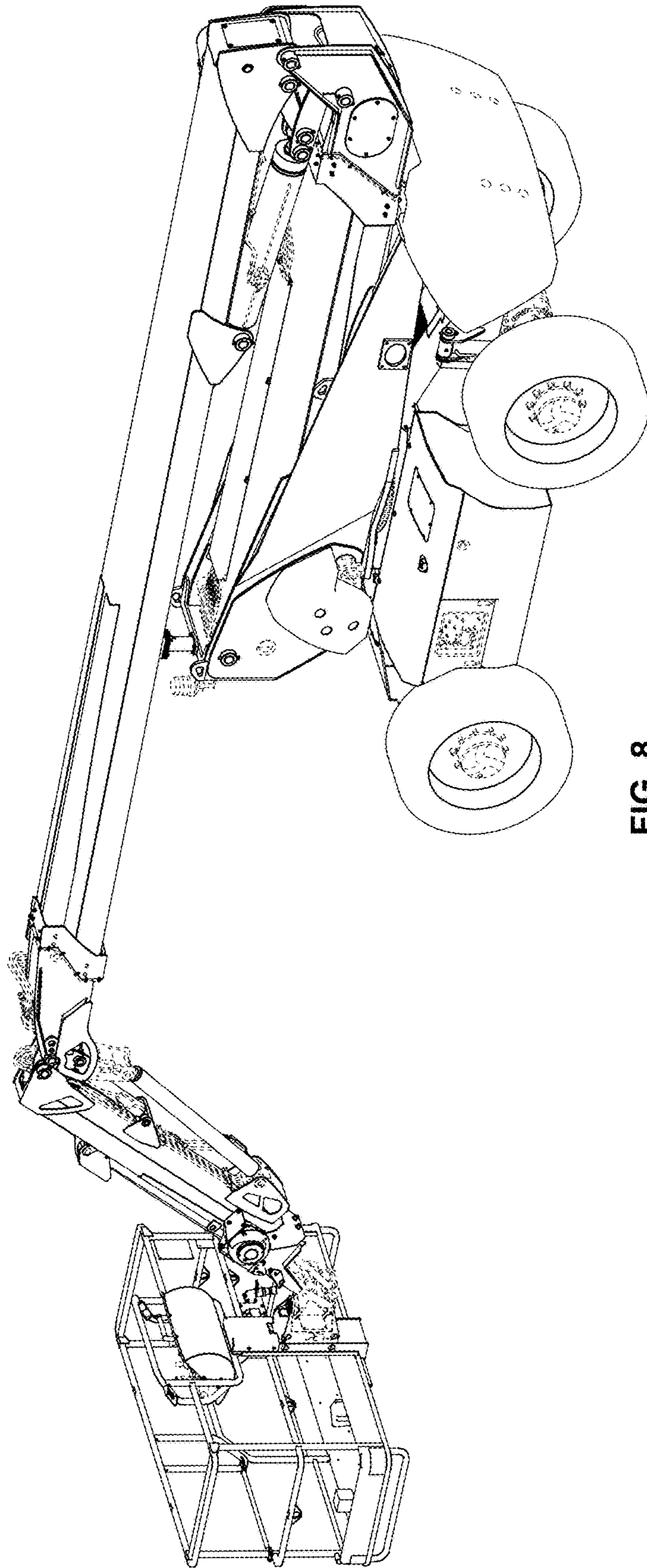


FIG. 8

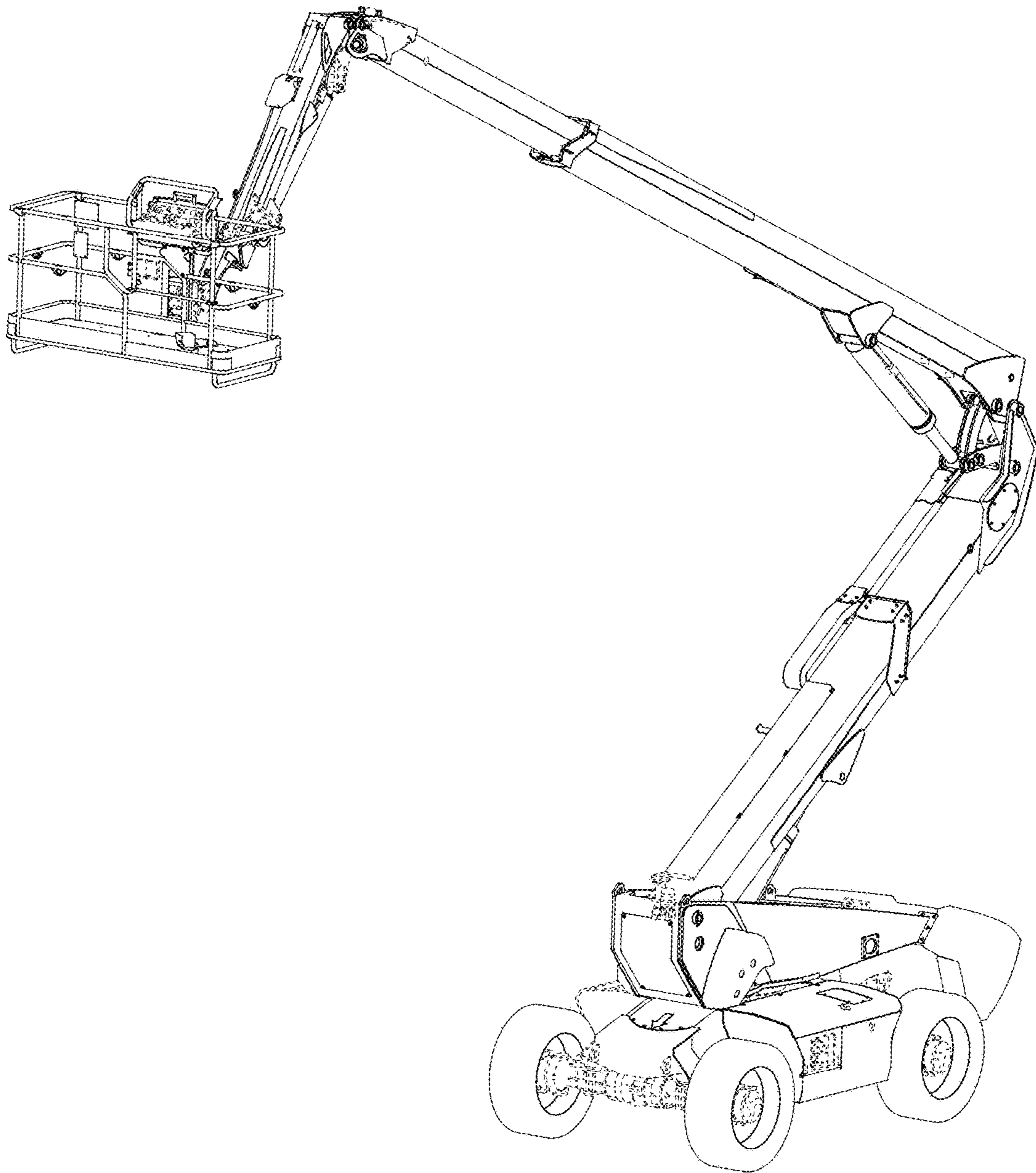


FIG. 9