



US00D855921S

(12) **United States Design Patent** (10) **Patent No.:** **US D855,921 S**  
**Yu et al.** (45) **Date of Patent:** **\*\* \*Aug. 6, 2019**

- (54) **FOLDABLE TROLLEY**
- (71) Applicant: **Zhuhai Shichang Metals Ltd.**, Zhuhai (CN)
- (72) Inventors: **Hai Yu**, Zhuhai (CN); **Che-Jen Wang**, Zhuhai (CN)
- (73) Assignee: **Zhuhai Shichang Metals Ltd.**, Zhuhai (CN)

- D333,370 S 2/1993 Monk
- D337,191 S \* 7/1993 Ibrahim ..... D34/12
- D398,431 S 9/1998 McDonald
- D424,266 S \* 5/2000 McIntyre ..... D34/12
- 6,296,262 B1 10/2001 Skinner
- D509,938 S \* 9/2005 Belmont ..... D34/12
- D565,824 S \* 4/2008 Mueller ..... D22/113
- 7,992,883 B2 8/2011 Brandon
- D649,317 S \* 11/2011 Nolin ..... D34/12
- D649,320 S 11/2011 Renfrew et al.
- D664,737 S 8/2012 Slank
- 8,342,544 B1 1/2013 Blewett et al.

(\* ) Notice: This patent is subject to a terminal disclaimer.

(\*\*) Term: **15 Years**

(21) Appl. No.: **29/630,538**

(22) Filed: **Dec. 21, 2017**

**Related U.S. Application Data**

(63) Continuation of application No. 15/825,328, filed on Nov. 29, 2017, now Pat. No. 10,150,492.

(51) **LOC (12) Cl.** ..... **12-02**

(52) **U.S. Cl.**  
USPC ..... **D34/12**

(58) **Field of Classification Search**  
USPC ..... D34/12, 14, 15, 16, 17  
CPC ..... B62B 3/02; B62B 7/12  
See application file for complete search history.

(56) **References Cited**

**U.S. PATENT DOCUMENTS**

- 2,621,815 A 12/1952 Gannon
- D189,454 S \* 12/1960 Klein ..... D34/17
- D200,401 S 2/1965 Olson
- D223,707 S 5/1972 Salisbury
- D292,639 S \* 11/1987 Kean ..... D34/15
- 4,856,810 A 8/1989 Smith
- D313,099 S \* 12/1990 Tasley ..... D34/12

(Continued)

**FOREIGN PATENT DOCUMENTS**

- EP 2258599 A2 12/2010
- EP 2258599 A3 12/2013
- WO 2012064849 A1 5/2012

*Primary Examiner* — Cynthia Ramirez

(74) *Attorney, Agent, or Firm* — Luedeka Neely Group, P.C.

(57) **CLAIM**

The ornamental design for a foldable trolley, as shown and described.

**DESCRIPTION**

FIG. 1 is a front upper perspective view of a foldable trolley of our new design

FIG. 2 is a left side view of the foldable trolley of FIG. 1, the right side being identical thereto.

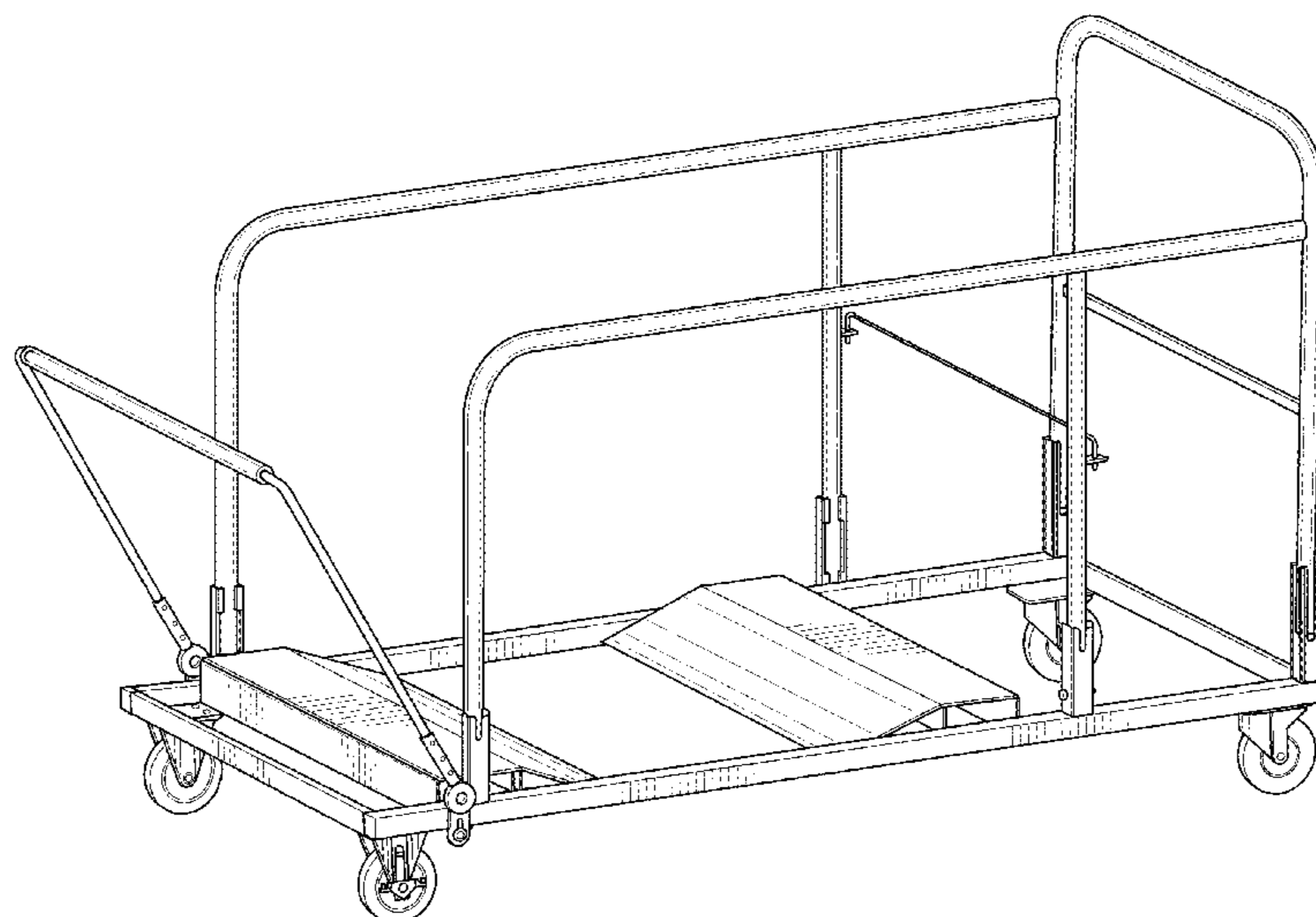
FIG. 3 is a left side view, but with a front gate of the trolley in a lowered position.

FIG. 4 is a front end view of the foldable trolley of FIG. 1.

FIG. 5 is a rear end view of the foldable trolley of FIG. 1.

FIG. 6 is a top view of the foldable trolley of FIG. 1; and, FIG. 7 is an upper perspective view showing the trolley folded.

**1 Claim, 6 Drawing Sheets**



(56)

**References Cited**

U.S. PATENT DOCUMENTS

D685,154 S *	6/2013	Ambrefe, Jr. ....	D34/12
8,641,061 B1 *	2/2014	Sims .....	B62B 3/022
			280/651
D723,762 S	3/2015	Treadwell	
D767,231 S *	9/2016	Blitzer .....	D34/16
D810,381 S *	2/2018	Prichard .....	D34/28
D826,508 S *	8/2018	Cacioppo .....	D34/12
2018/0154916 A1 *	6/2018	Yu .....	B62B 3/027

\* cited by examiner

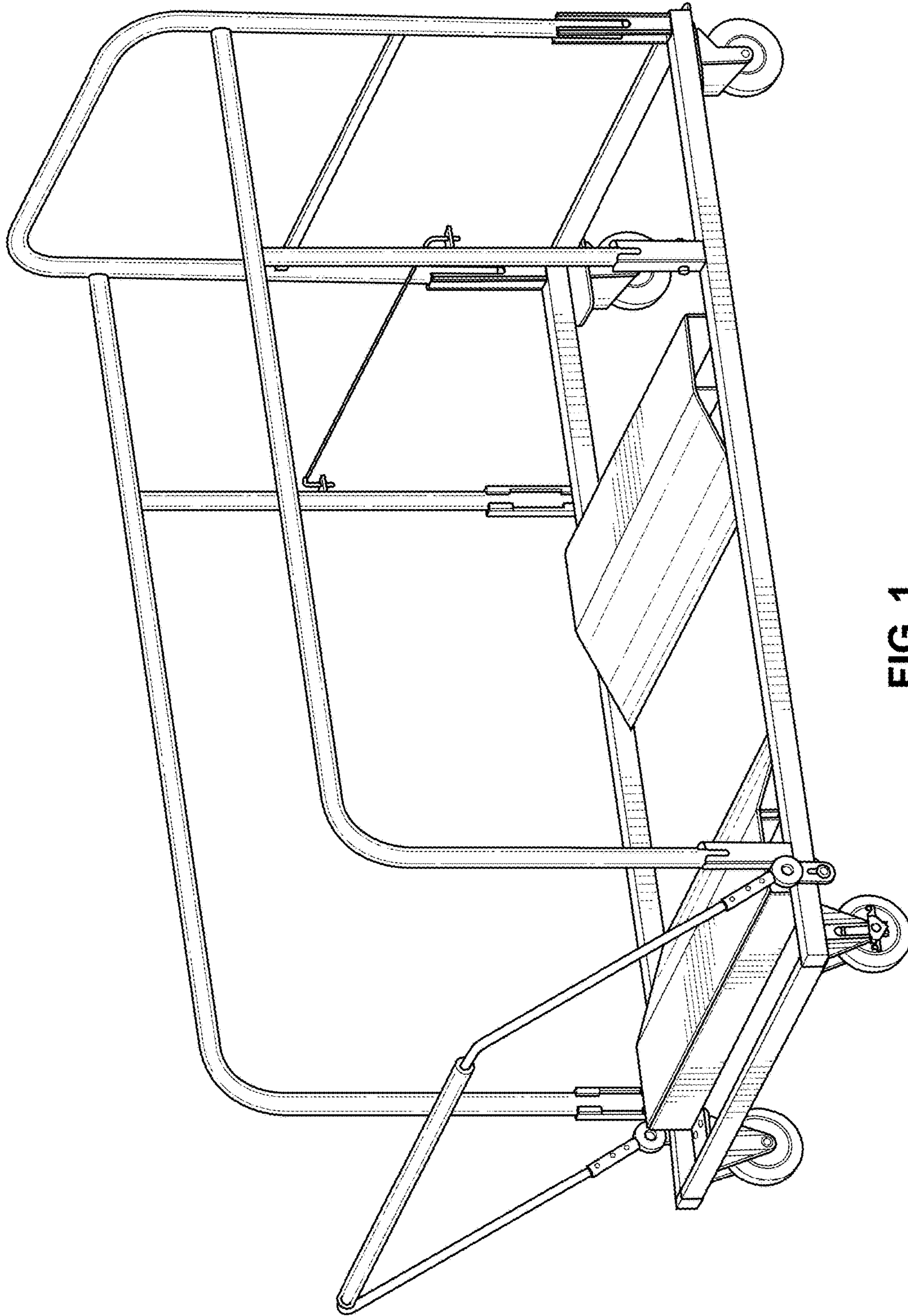


FIG. 1

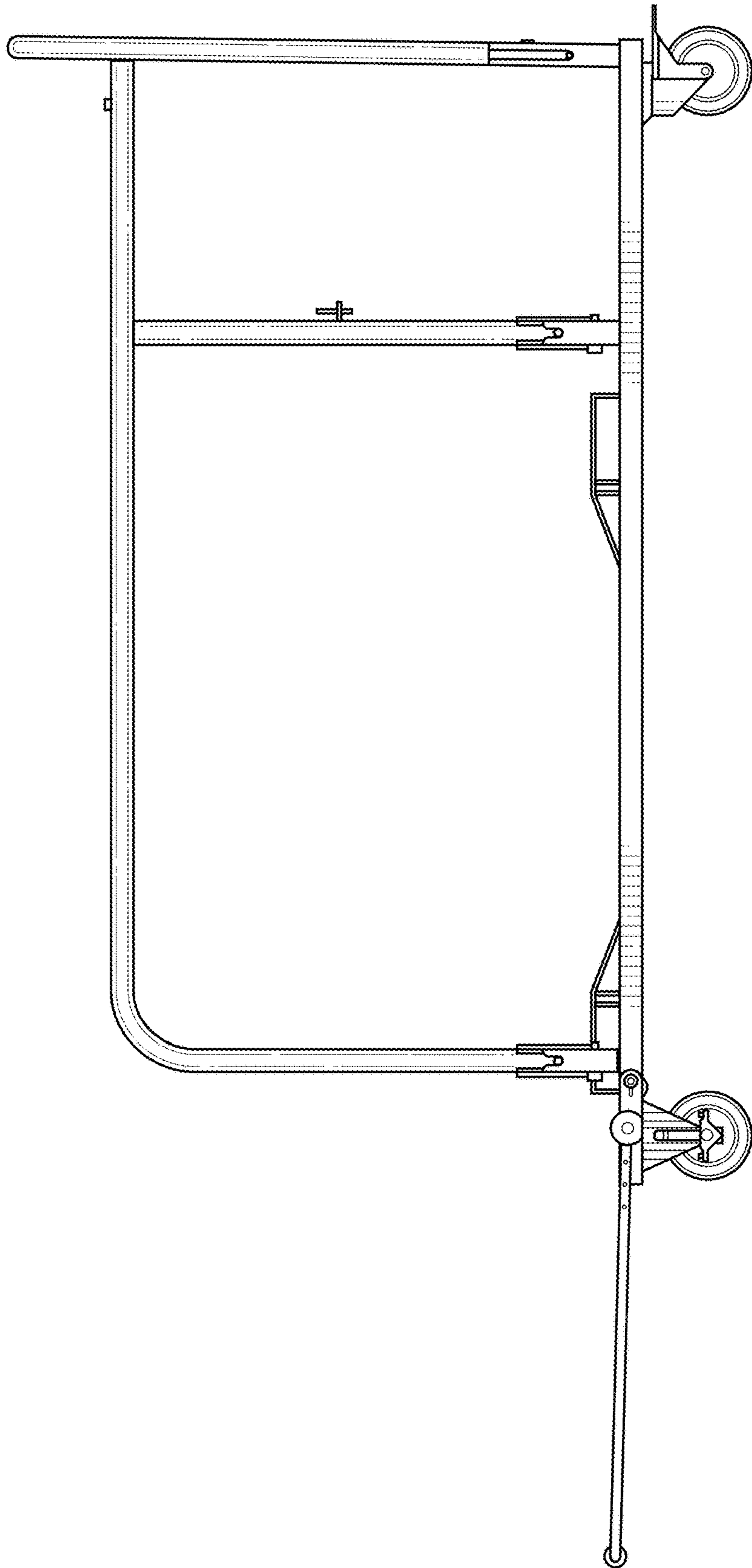


FIG. 2

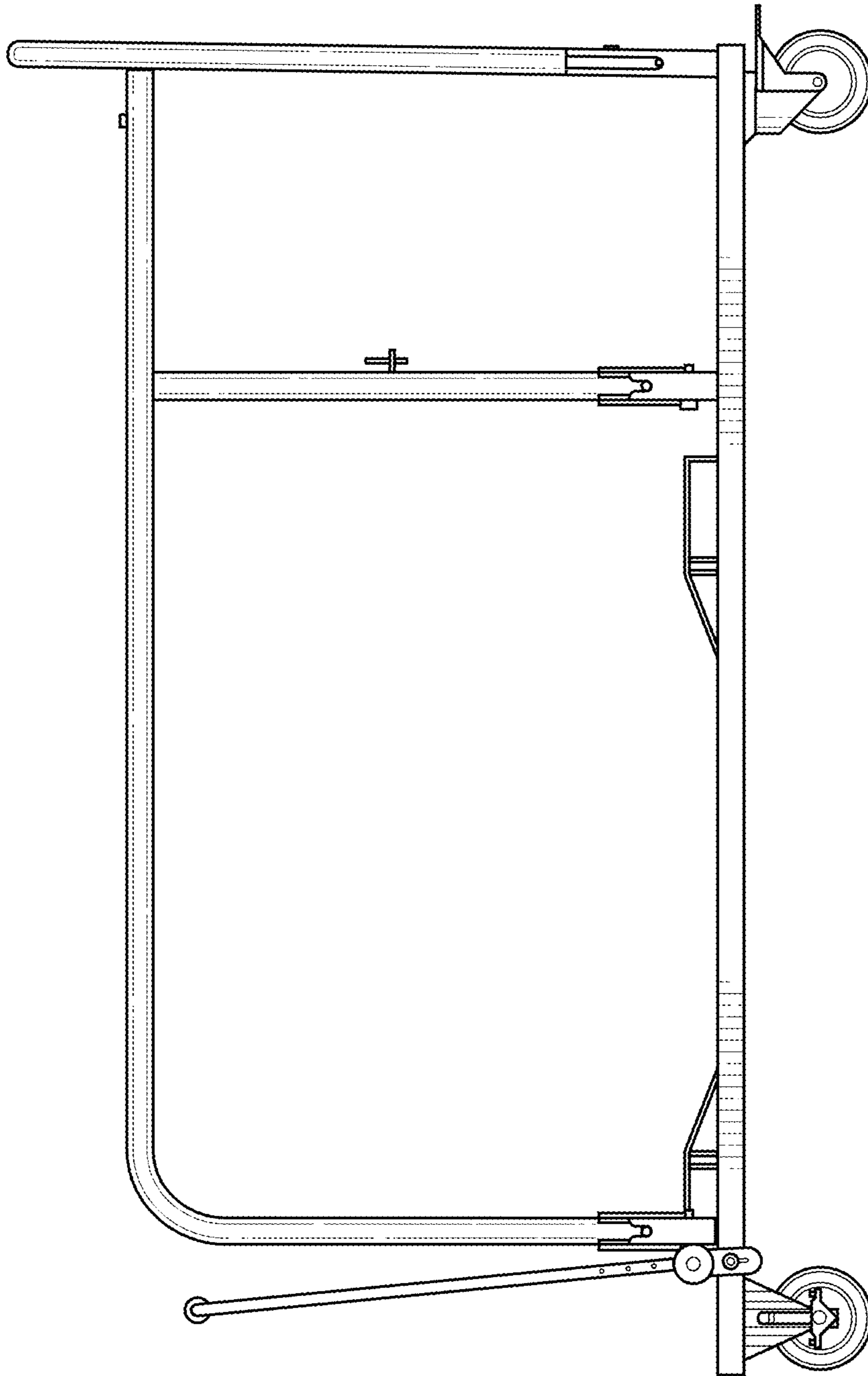


FIG. 3

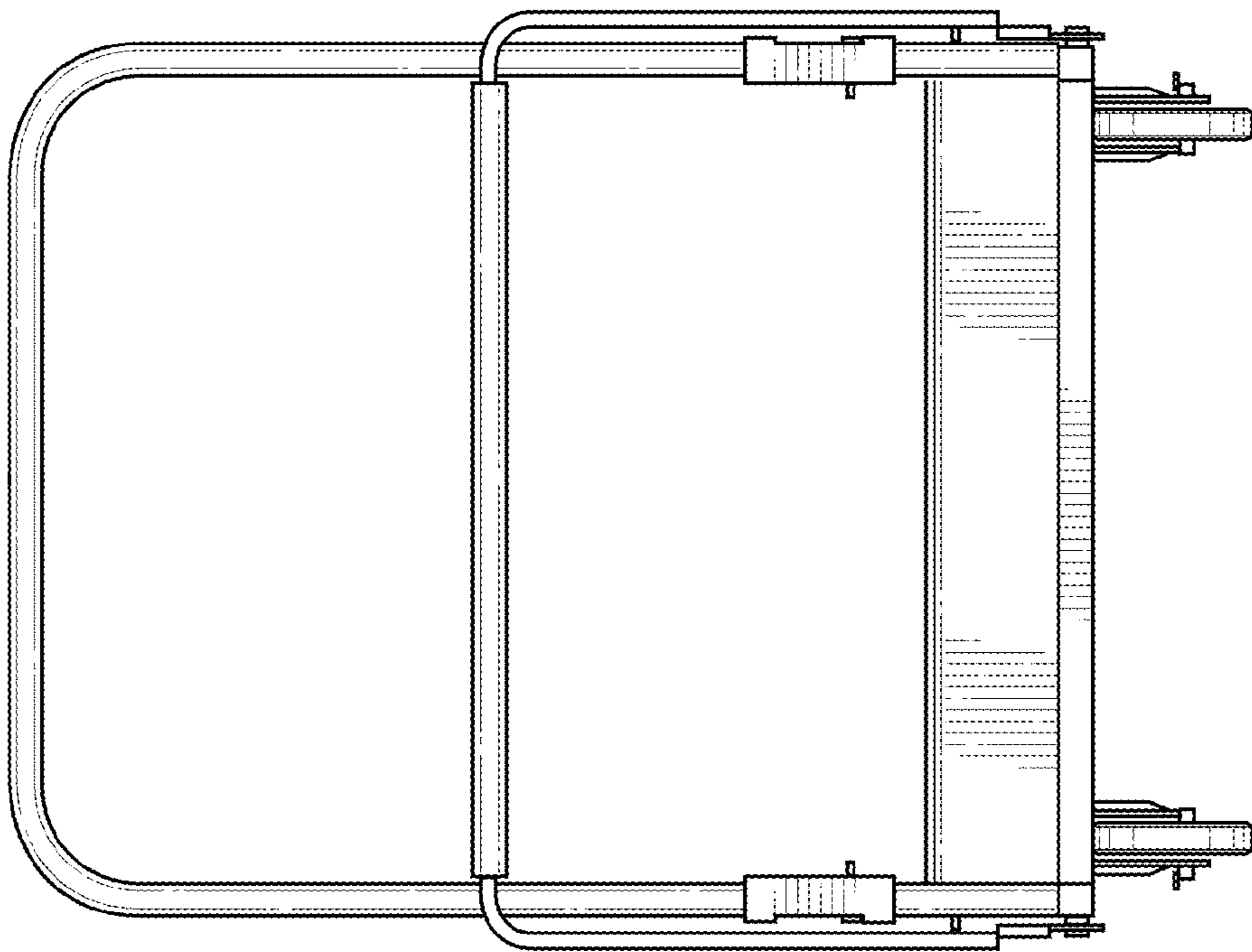


FIG. 4

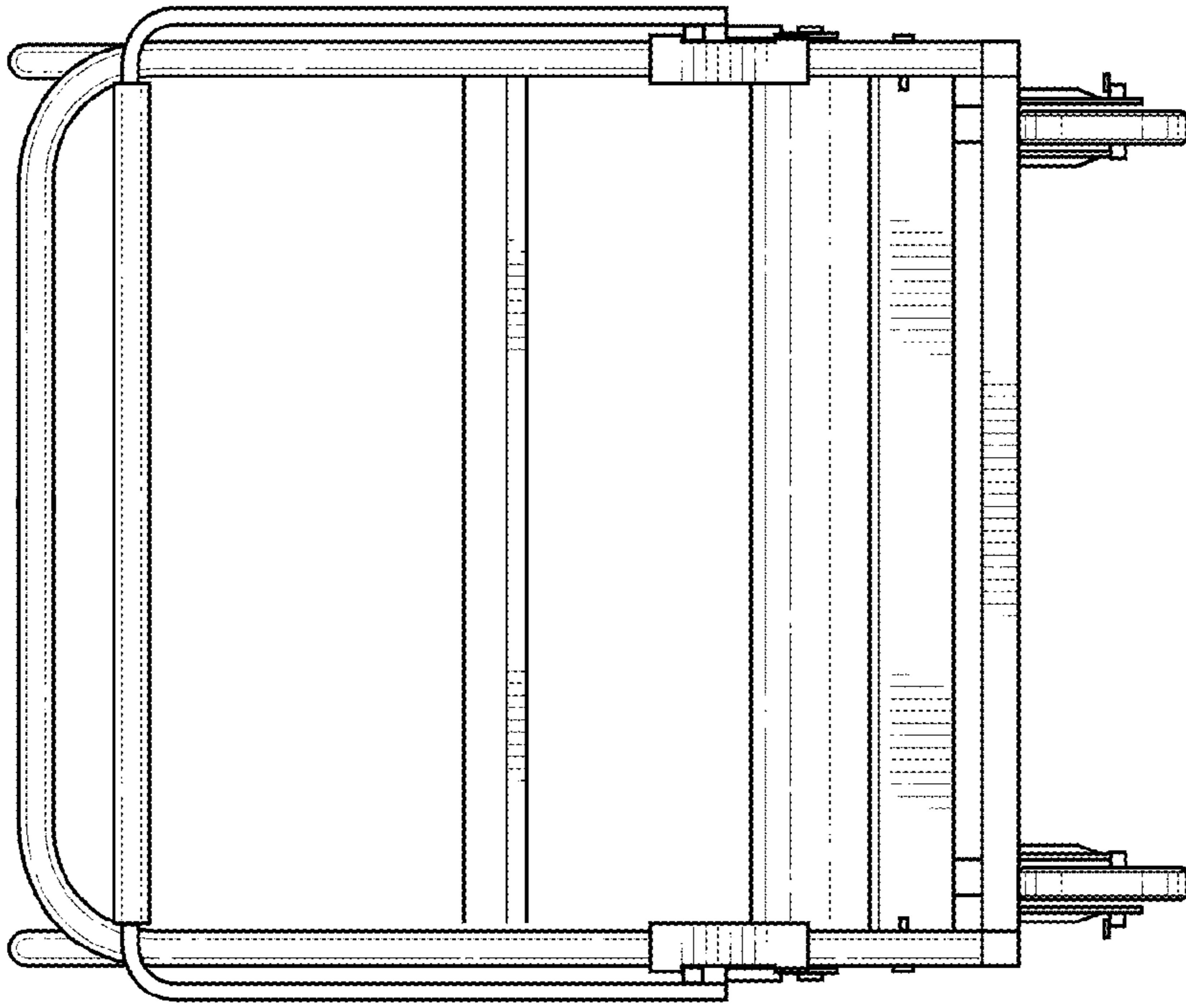


FIG. 5

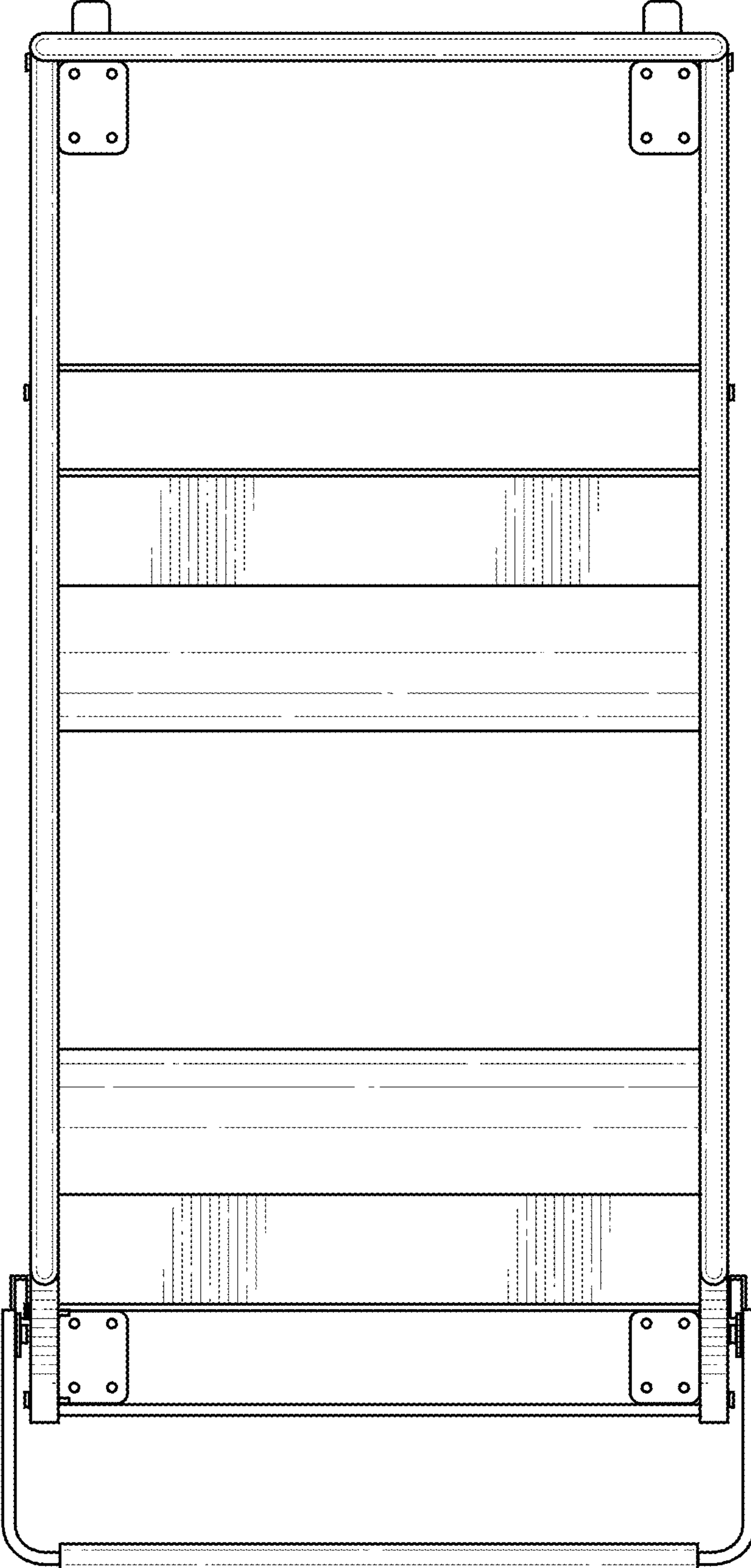


FIG. 6

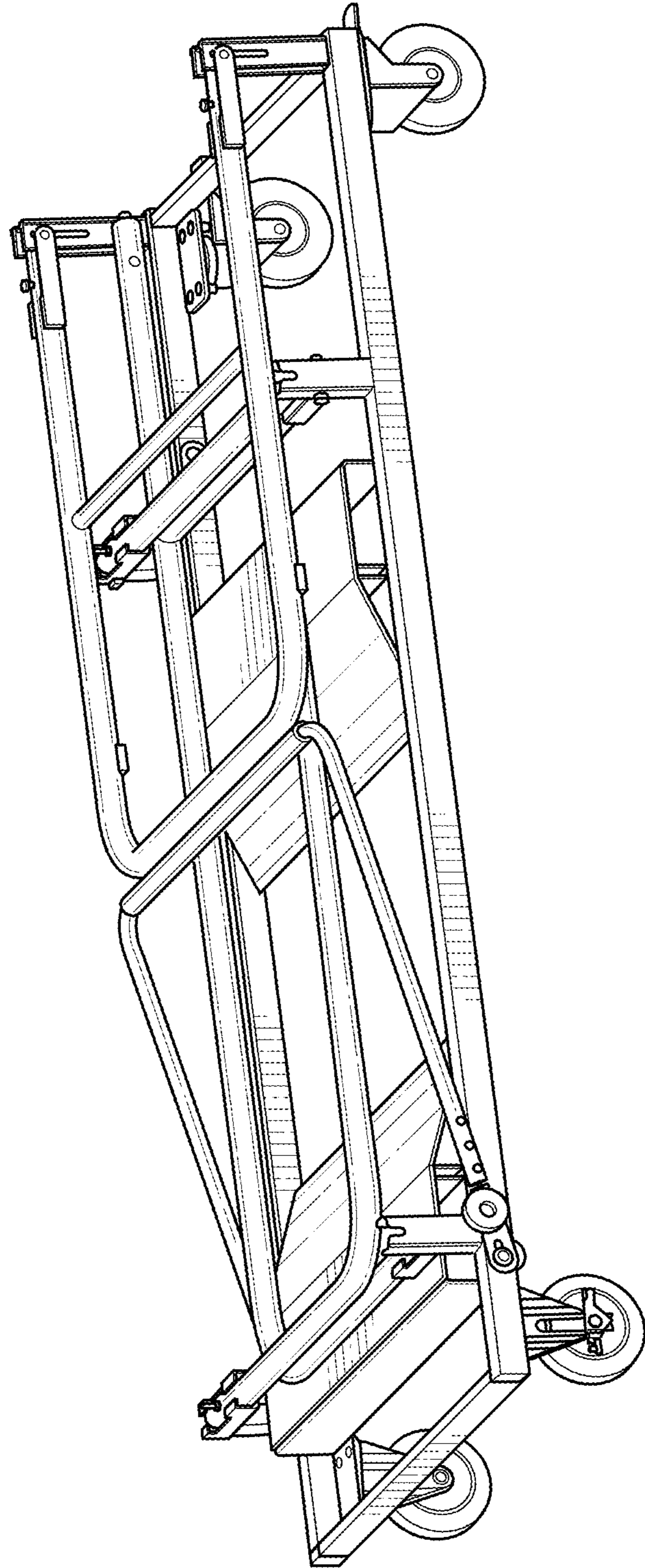


FIG. 7