



US00D855920S

(12) **United States Design Patent** (10) **Patent No.:** **US D855,920 S**
Schenone et al. (45) **Date of Patent:** **** Aug. 6, 2019**

(54) **LOCKING COLLAR**
(71) Applicant: **EchoNous, Inc.**, Redmond, WA (US)
(72) Inventors: **David J. Schenone**, Lake Oswego, OR (US); **Kim Porter Henneman**, Bend, OR (US); **Jeffrey D. Allison**, Lake Oswego, OR (US)
(73) Assignee: **EchoNous, Inc.**, Redmond, WA (US)
(**) Term: **15 Years**

D711,730 S * 8/2014 McKiernan D8/396
D712,730 S * 9/2014 Gridley D8/396
D735,025 S * 7/2015 Mathien D8/396
D780,860 S * 3/2017 Jones D21/694
D780,861 S * 3/2017 Jones D21/694
D798,699 S * 10/2017 Roiser D8/396
D820,074 S * 6/2018 Huettemann D8/394
D820,076 S * 6/2018 Ramirez D8/396
D828,748 S * 9/2018 Bancroft D8/396
D832,694 S * 11/2018 May D8/396
D834,932 S * 12/2018 Babbage D8/394
D836,184 S * 12/2018 Lippka D23/262
D836,185 S * 12/2018 Lippka D8/394
D836,428 S * 12/2018 Pittman D8/382

(Continued)

(21) Appl. No.: **29/624,393**
(22) Filed: **Oct. 31, 2017**
(51) **LOC (12) Cl.** **12-02**
(52) **U.S. Cl.**
USPC **D34/12**
(58) **Field of Classification Search**
USPC 188/74; D8/394, 396; D24/128;
D34/12, 14, 17, 27
CPC . F16B 19/02; F16B 2200/40; F16B 2200/406
See application file for complete search history.

Primary Examiner — Cynthia Ramirez
Assistant Examiner — Michael A Maharajh
(74) *Attorney, Agent, or Firm* — Seed Intellectual Property Law Group LLP

(57) **CLAIM**

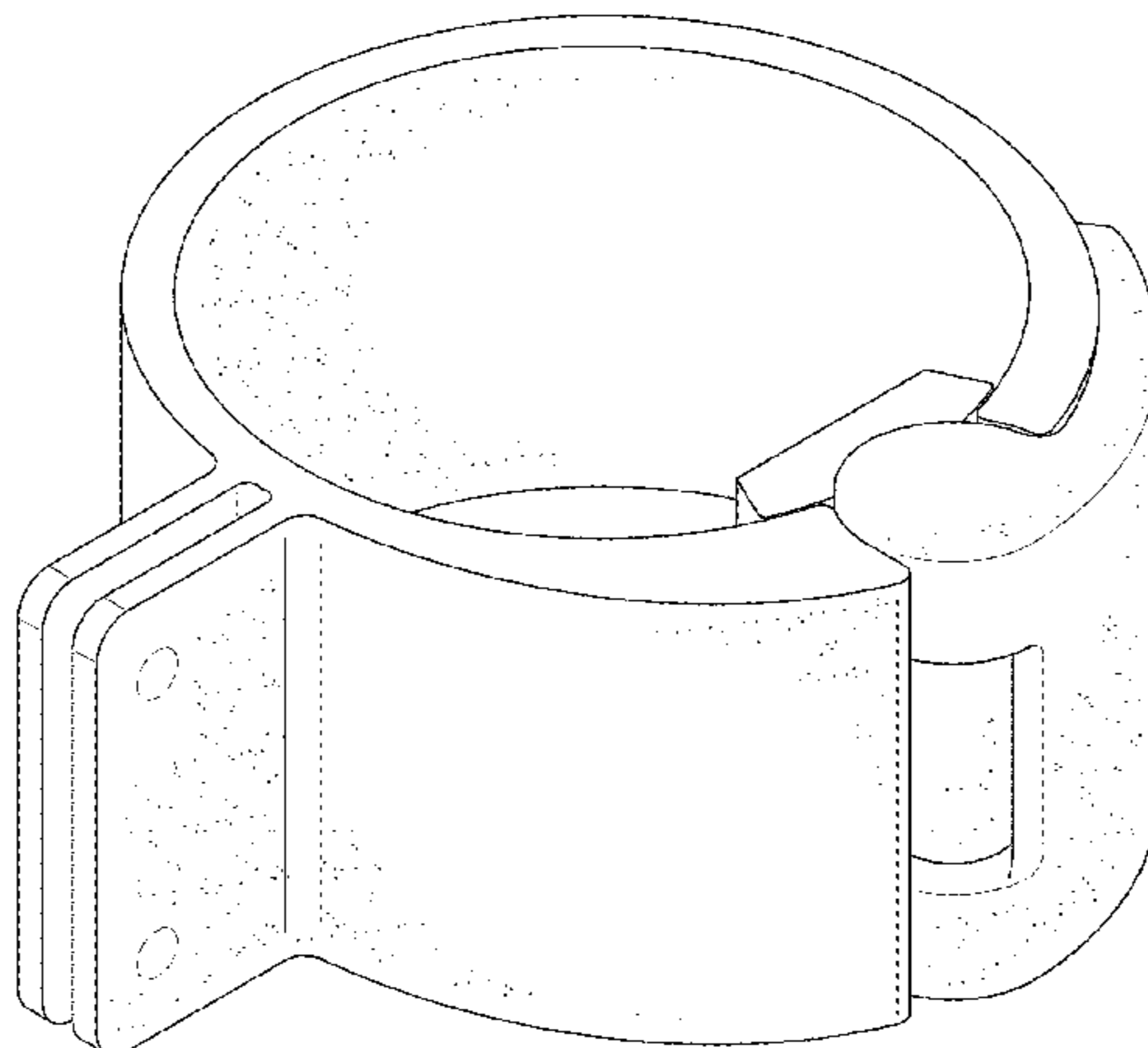
The ornamental design for a locking collar, as shown and described.

DESCRIPTION

FIG. 1 is a top, front left perspective view of a locking collar showing our new design.
FIG. 2 is a bottom, rear right perspective view thereof.
FIG. 3 is a left side elevation view thereof.
FIG. 4 is a front elevation view thereof.
FIG. 5 is a top plan view thereof.
FIG. 6 is a rear elevation view thereof.
FIG. 7 is a right side elevation view thereof.
FIG. 8 is a bottom plan view thereof; and,
FIG. 9 is a top plan view of the locking collar of FIG. 1, with the clamping fastener shown in an extended position.
The broken lines in the figures illustrate environment and form no part of the claimed design.

(56) **References Cited**
U.S. PATENT DOCUMENTS
1,669,934 A * 5/1928 Goldwyn F16L 3/12
24/1
D188,377 S * 7/1960 Martin D8/394
4,123,095 A * 10/1978 Stehlin F16L 23/06
24/270
D338,560 S * 8/1993 Lundy D34/15
D378,659 S * 4/1997 Blennov D8/396
D411,440 S * 6/1999 Stahel D8/396
D462,494 S * 9/2002 Patrizi D34/12
D681,440 S * 5/2013 Yu D8/396
D700,835 S * 3/2014 Langlois D8/396
D703,033 S * 4/2014 Karlsson D8/396
D704,040 S * 5/2014 Kosaku D8/394
D708,053 S * 7/2014 Marini D8/396

1 Claim, 7 Drawing Sheets



(56)

References Cited

U.S. PATENT DOCUMENTS

2010/0254756 A1* 10/2010 Chiang B62K 19/36
403/373
2011/0251489 A1* 10/2011 Zhang A61B 8/0808
600/459

* cited by examiner

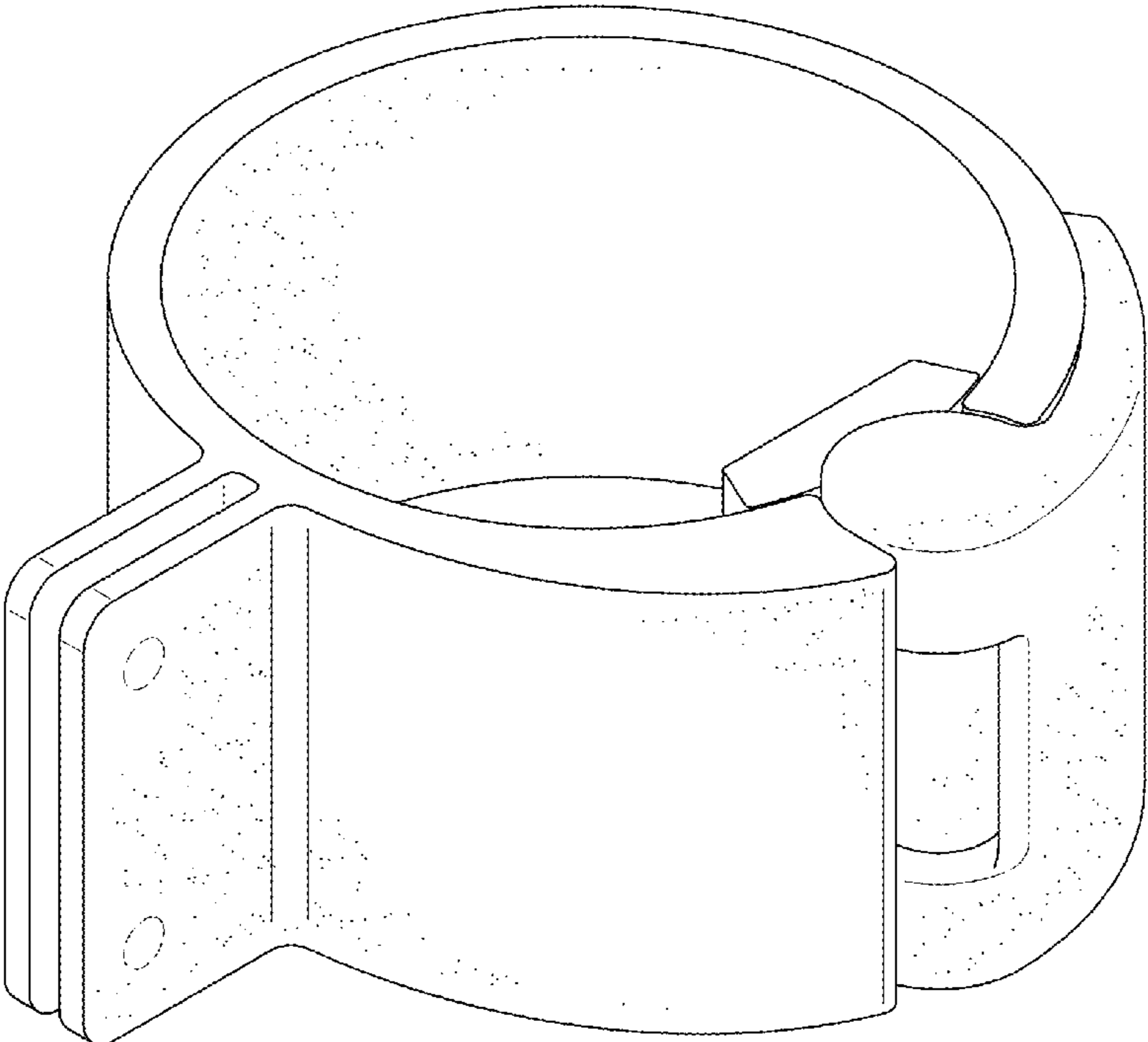


FIG. 1

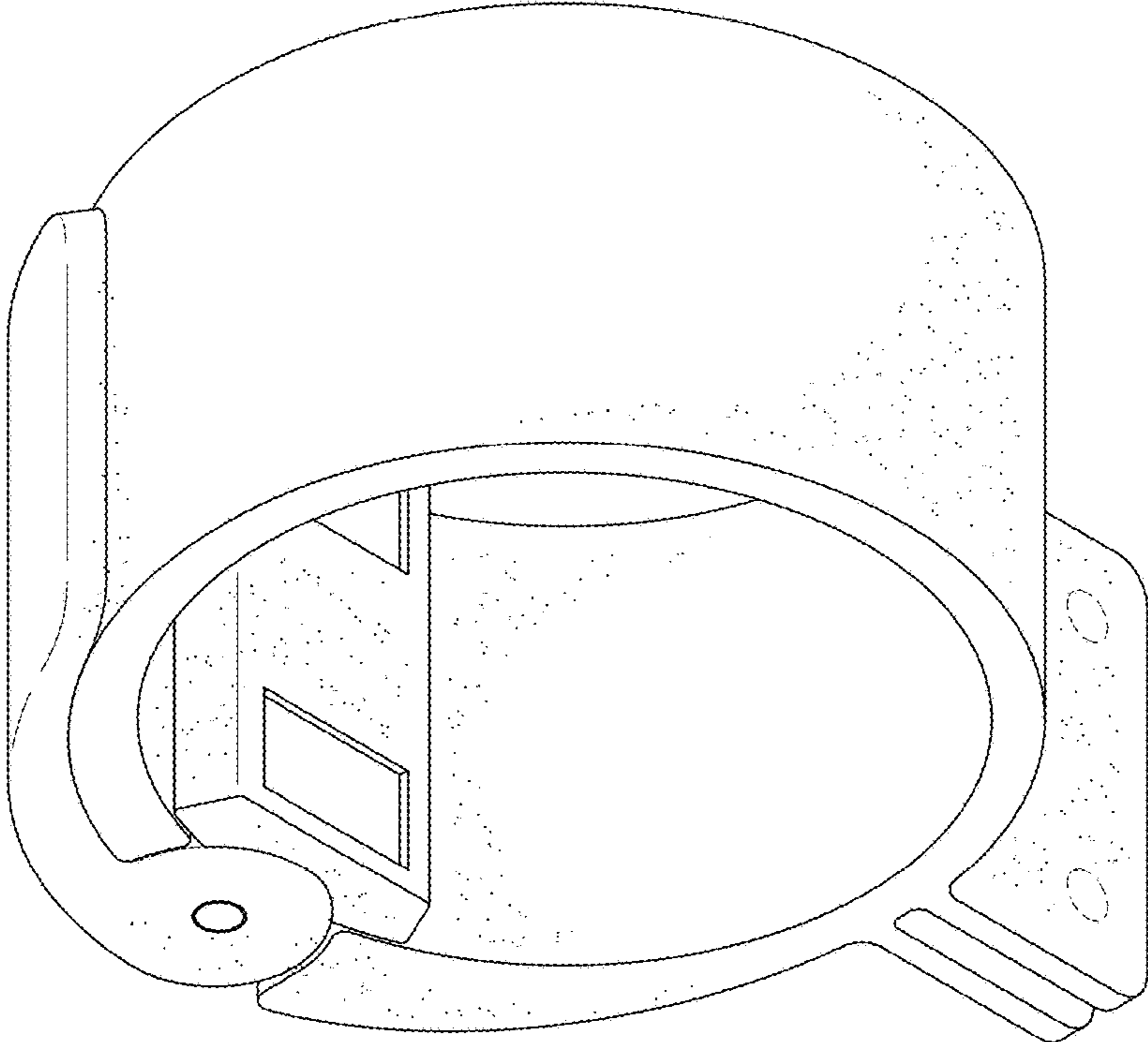


FIG. 2

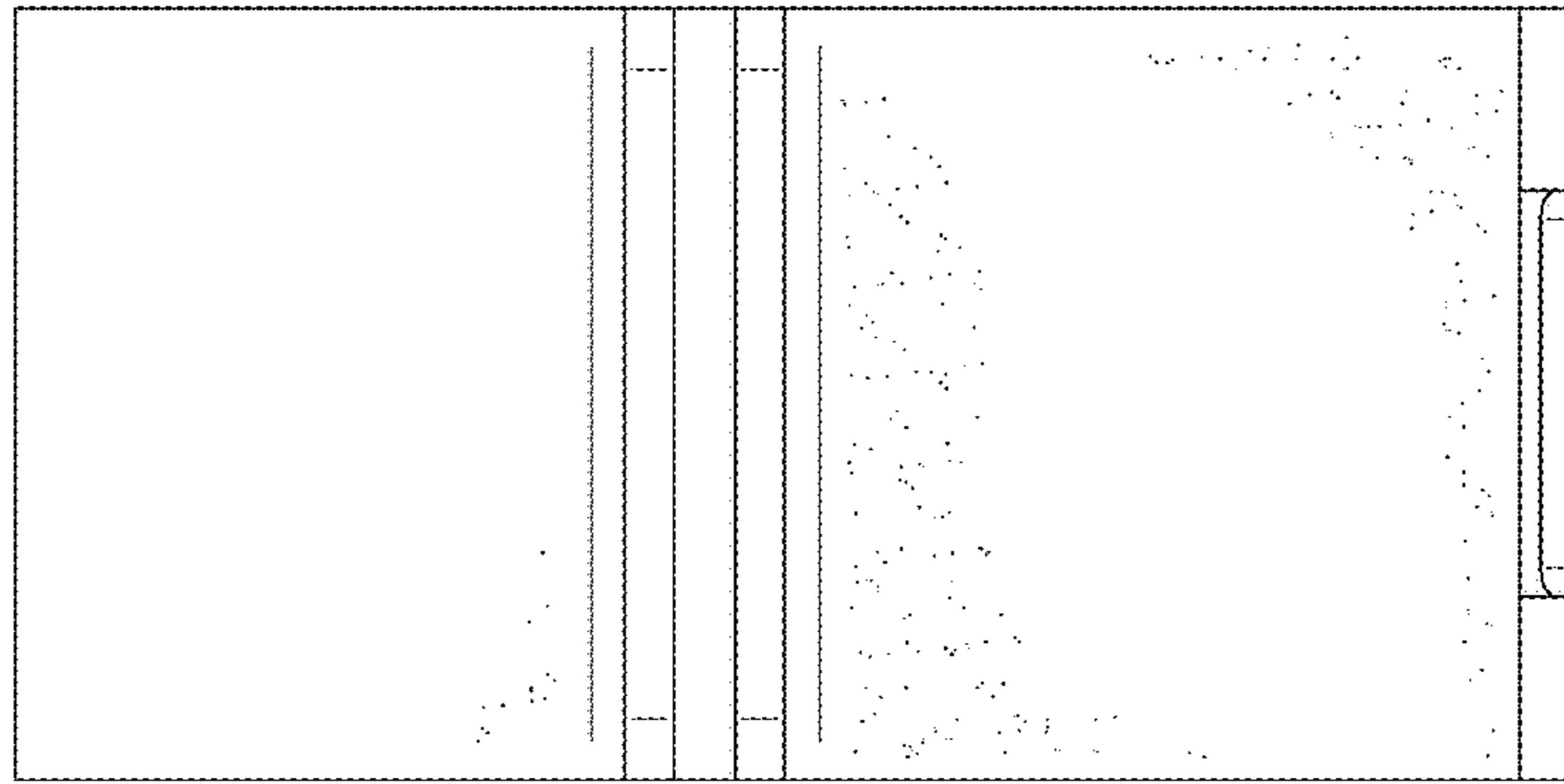


FIG. 3

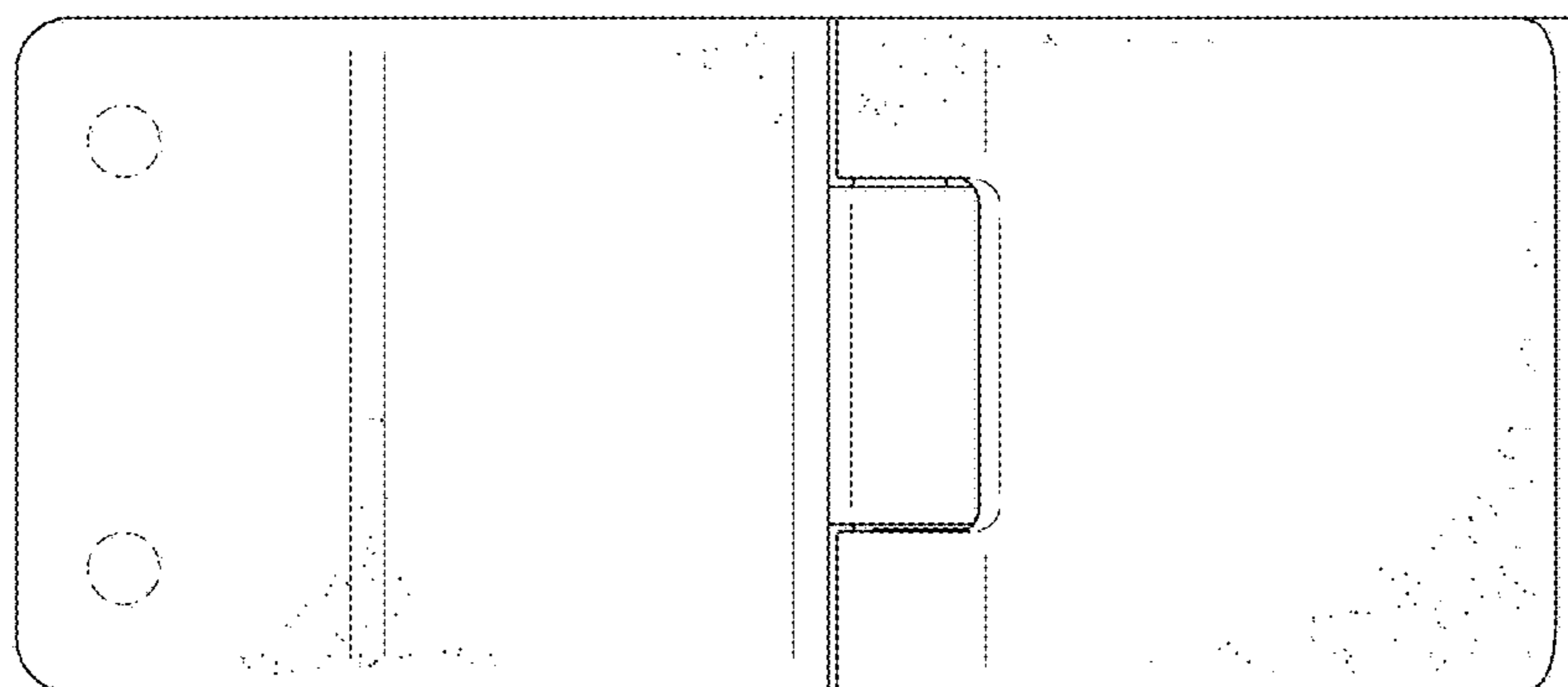


FIG. 4

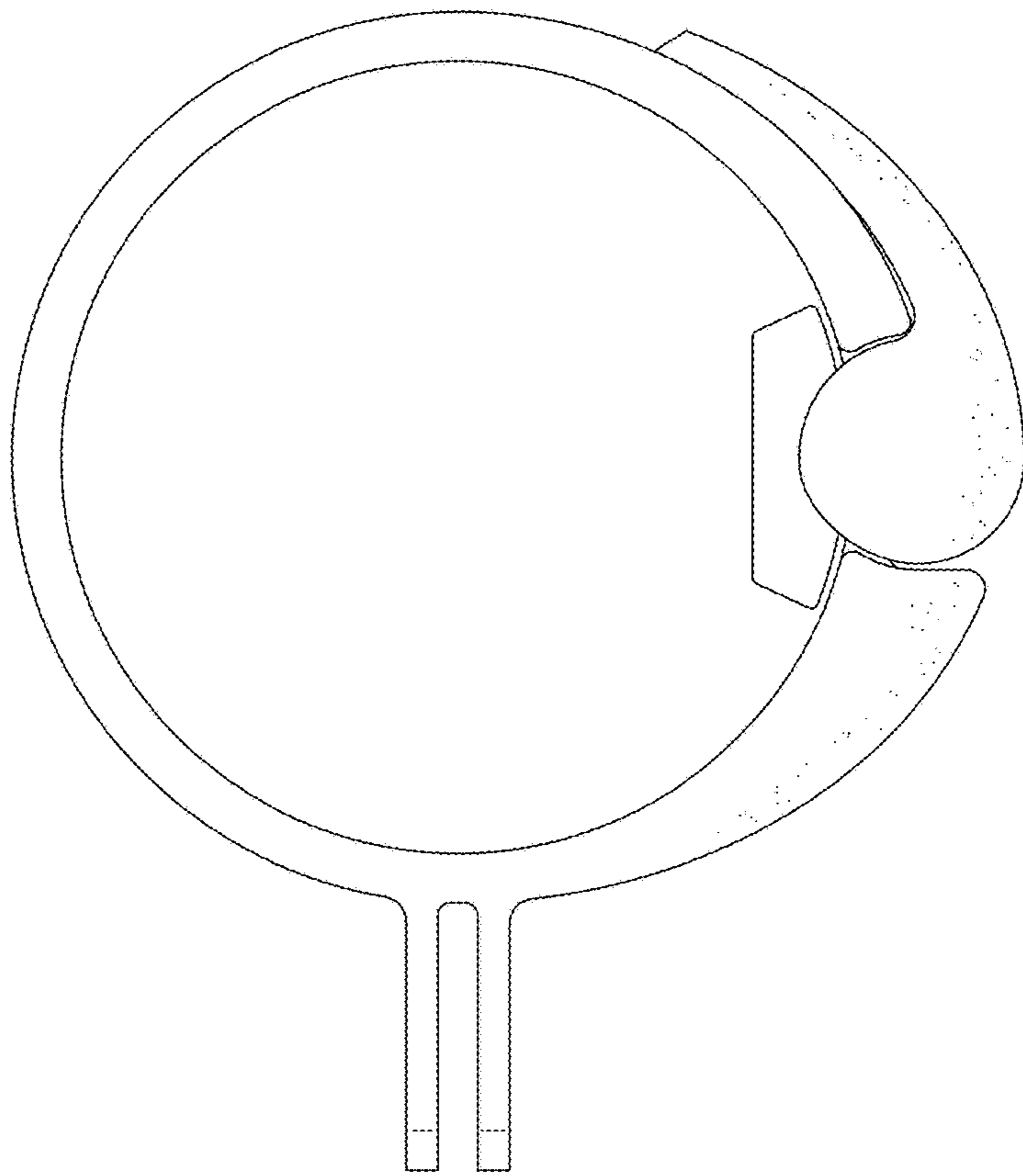


FIG. 5

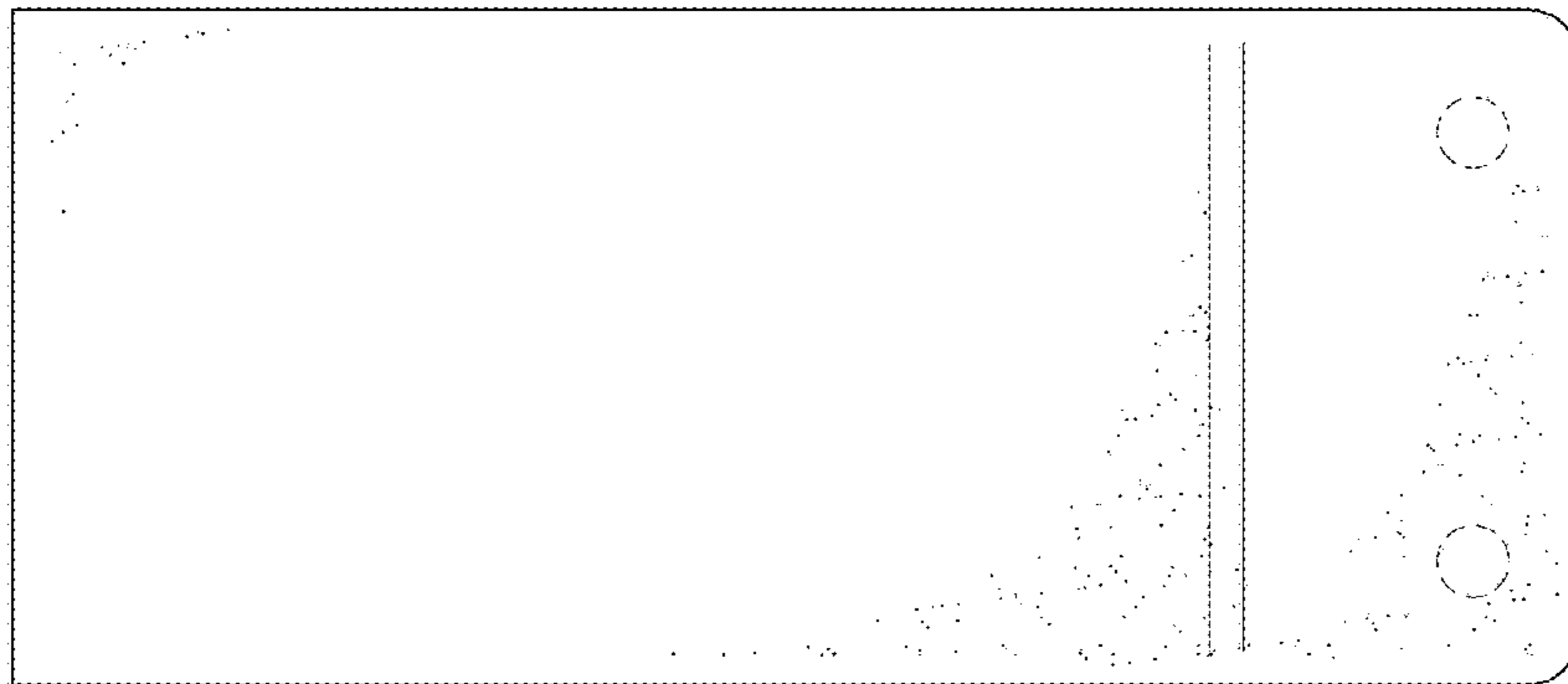


FIG. 6

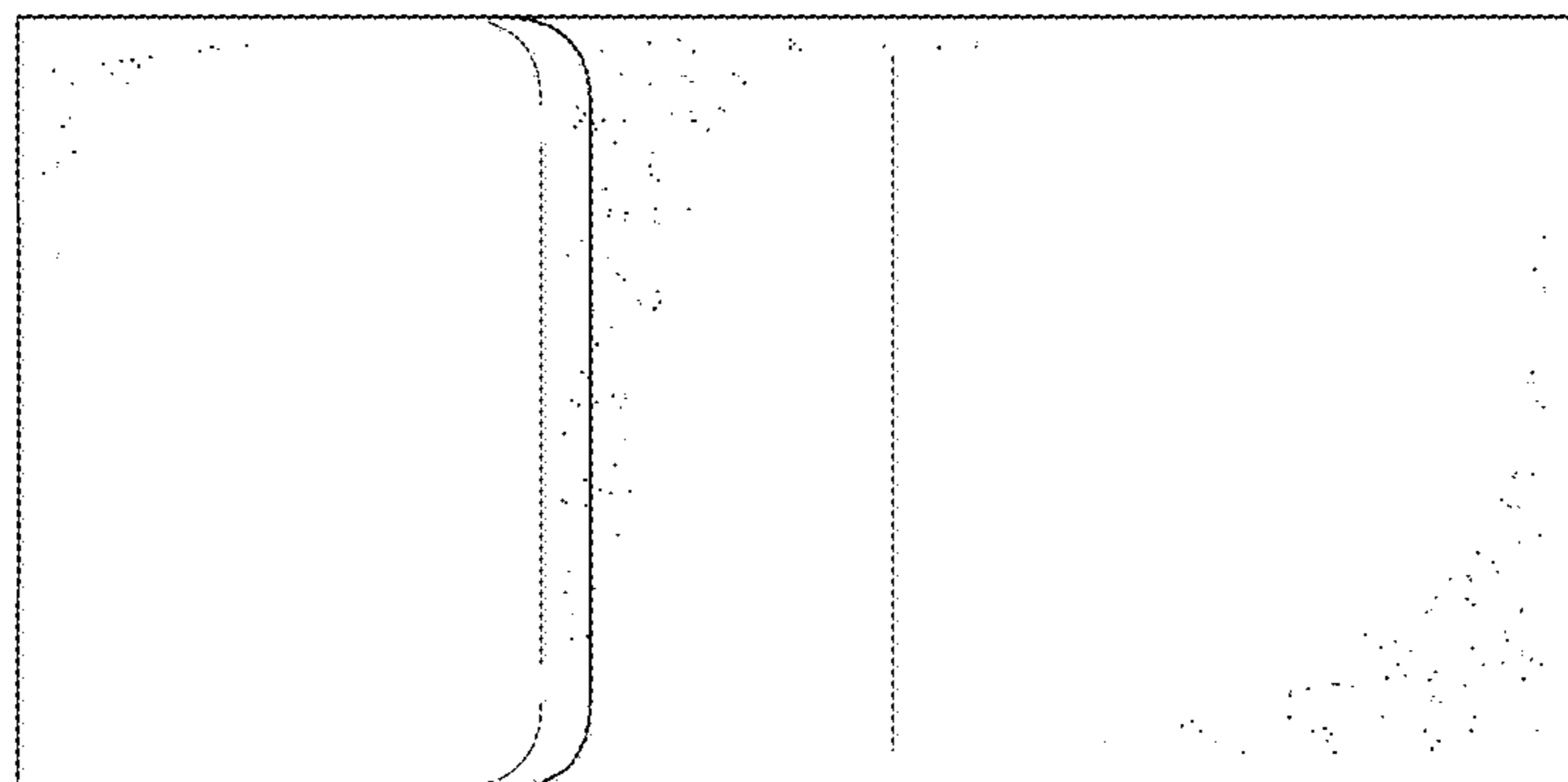


FIG. 7

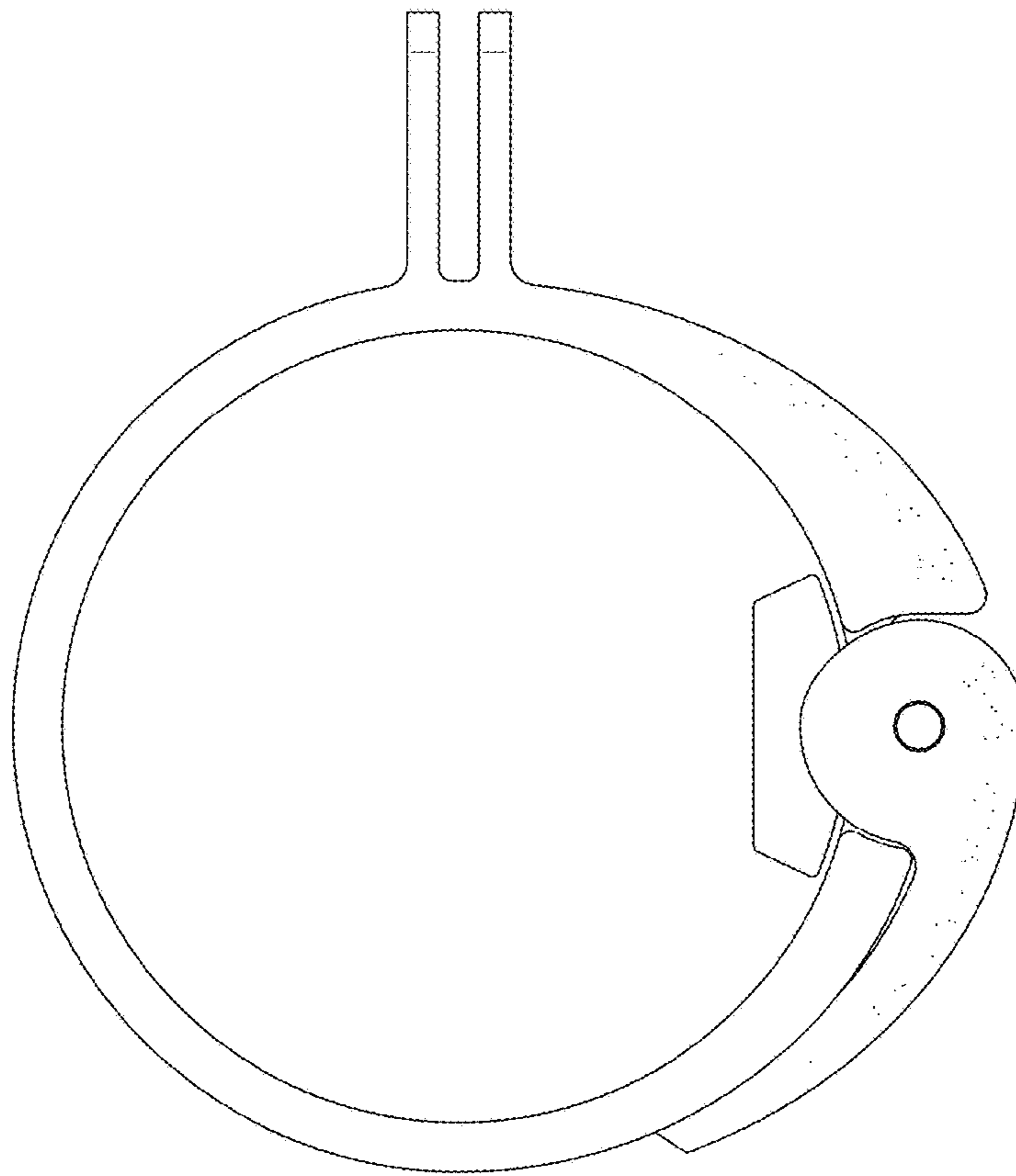


FIG. 8

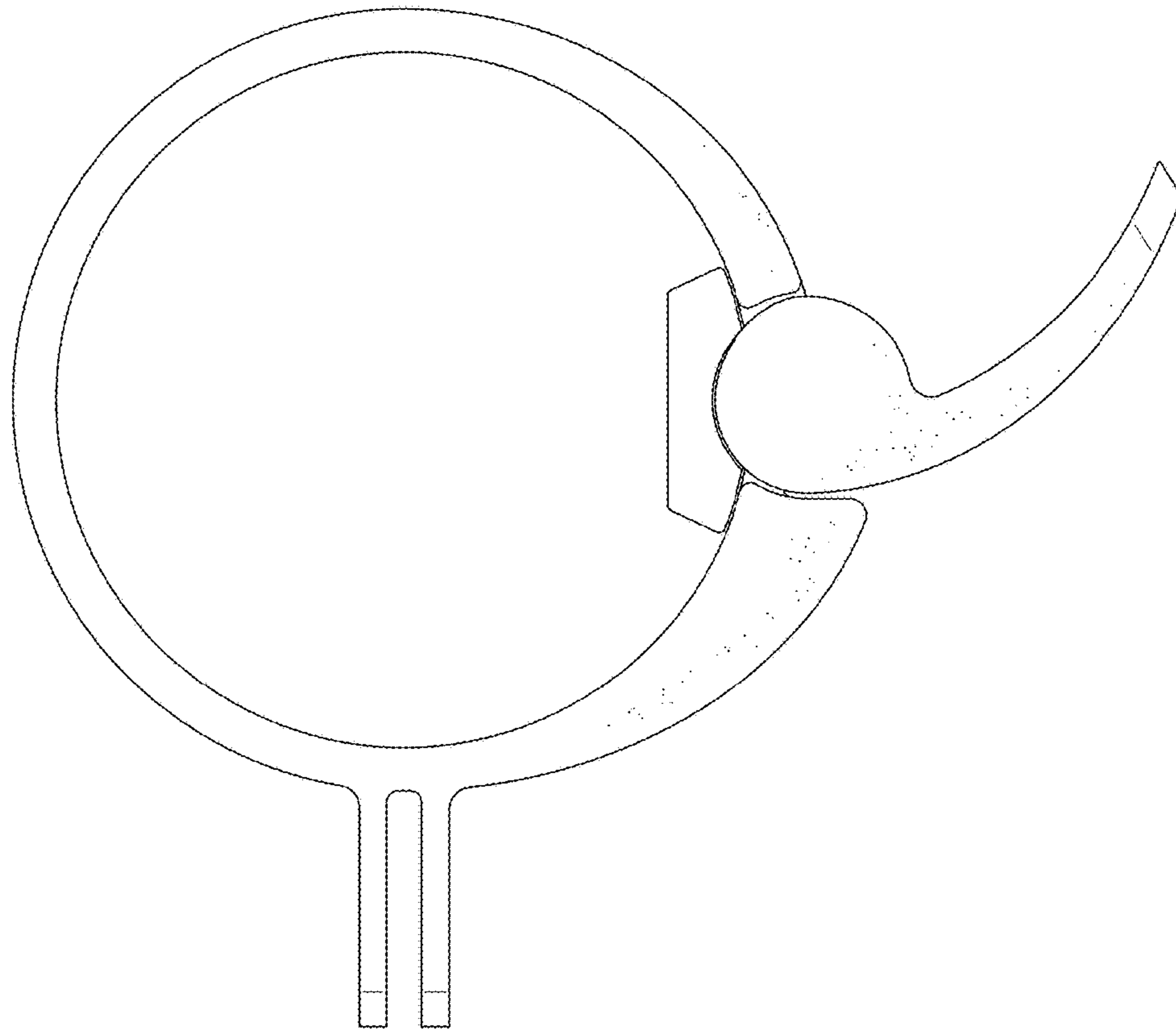


FIG. 9