



US00D855916S

(12) **United States Design Patent** (10) **Patent No.:** **US D855,916 S**  
**Li** (45) **Date of Patent:** **\*\* Aug. 6, 2019**

(54) **CONTAINER**  
(71) Applicant: **Fujian Shuangyi Bamboo and Wood Development Co., Ltd, Nanping (CN)**  
(72) Inventor: **Zhisheng Li, Nanping (CN)**  
(\*\*) Term: **15 Years**  
(21) Appl. No.: **29/615,524**  
(22) Filed: **Aug. 29, 2017**  
(51) **LOC (12) Cl.** ..... **09-04**  
(52) **U.S. Cl.**  
USPC ..... **D32/37**  
(58) **Field of Classification Search**  
USPC ..... D3/304, 307, 308, 309, 312, 314, 315,  
D3/328; D32/35, 37; D6/672, 675  
CPC . B65D 1/00; B65D 1/38; B65D 11/14; B65D  
11/20; D06F 95/002  
See application file for complete search history.

D341,687 S \* 11/1993 Park ..... D34/5  
5,667,066 A \* 9/1997 Simpson ..... B65B 67/1244  
206/278  
D404,861 S \* 1/1999 Balensiefer, II ..... D32/37  
6,014,827 A \* 1/2000 Lehrman ..... D06F 57/12  
38/104  
6,019,445 A \* 2/2000 Gades ..... D06F 95/002  
312/245  
D545,515 S \* 6/2007 Clucas ..... D32/37  
8,910,813 B1 \* 12/2014 Barre ..... D06F 95/002  
220/23.83  
D732,779 S \* 6/2015 Bittle ..... D32/37  
D733,984 S \* 7/2015 Tsai ..... D32/37  
D760,980 S \* 7/2016 Tsai ..... D32/37  
D762,336 S \* 7/2016 Chang ..... D32/37  
D827,964 S \* 9/2018 Barre ..... D06F 95/004  
D32/58  
D827,965 S \* 9/2018 Barre ..... D32/58

\* cited by examiner

*Primary Examiner* — Michelle E. Wilson  
(74) *Attorney, Agent, or Firm* — W&K IP

(57) **CLAIM**

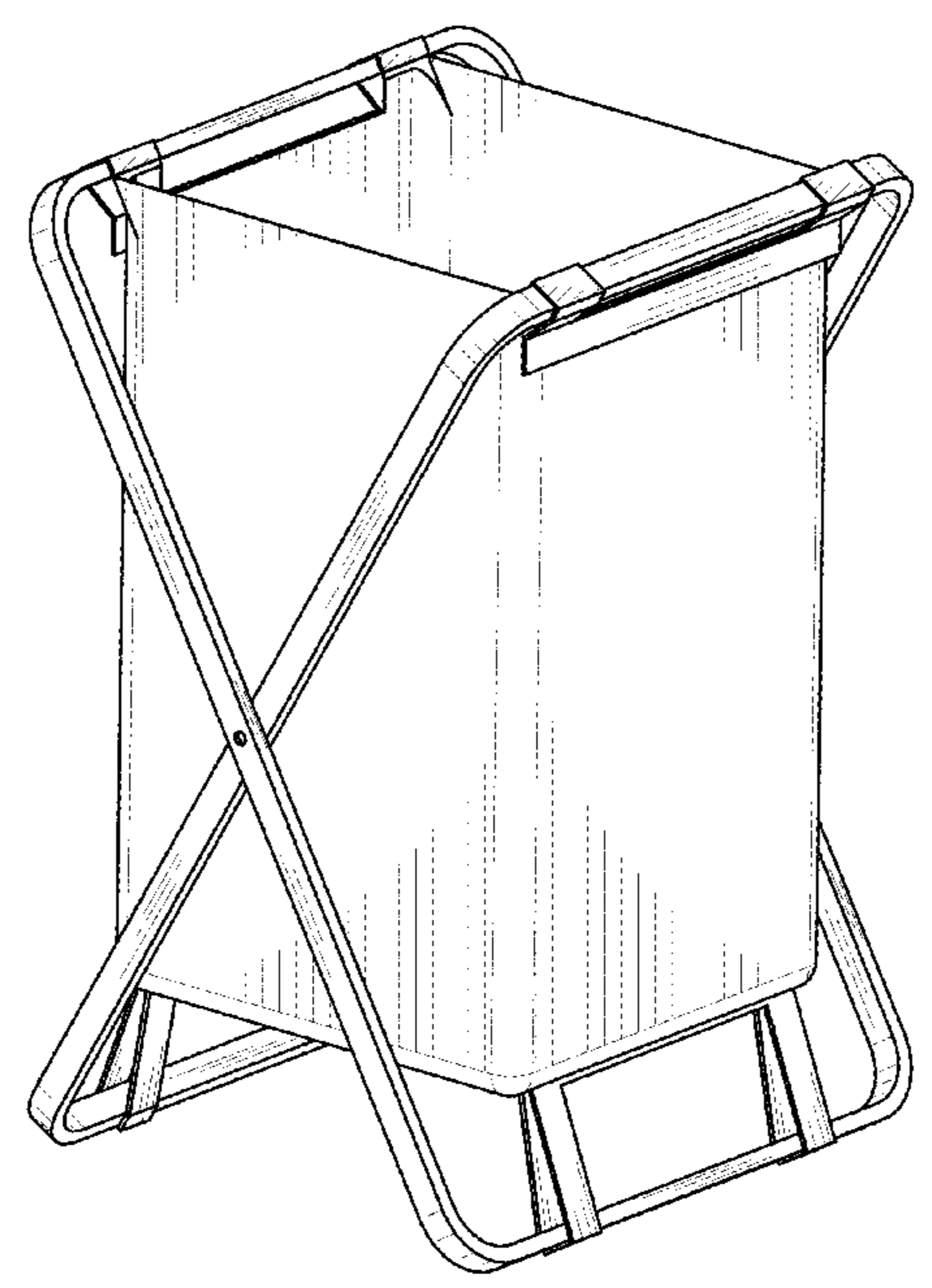
The ornamental design for container, as shown and described.

**DESCRIPTION**

FIG. 1 is a front view showing my design;  
FIG. 2 is a back view showing my design;  
FIG. 3 is a left side view showing my design;  
FIG. 4 is a right side view showing my design;  
FIG. 5 is a top plan view showing my design;  
FIG. 6 is a bottom plan view showing my design; and,  
FIG. 7 is a perspective view showing my design.

**1 Claim, 7 Drawing Sheets**

(56) **References Cited**  
U.S. PATENT DOCUMENTS  
2,014,904 A \* 9/1935 Martin ..... A45C 7/02  
220/9.3  
2,638,399 A \* 5/1953 Seymour ..... D06F 95/004  
220/9.3  
3,286,752 A \* 11/1966 Duryee, Jr. .... A47G 29/06  
220/9.3  
D279,038 S \* 5/1985 Thompson, Jr. .... D32/37  
4,646,802 A \* 3/1987 Basore ..... B65B 67/1244  
220/495.11  
4,953,815 A \* 9/1990 Beymer ..... B65B 67/12  
248/97



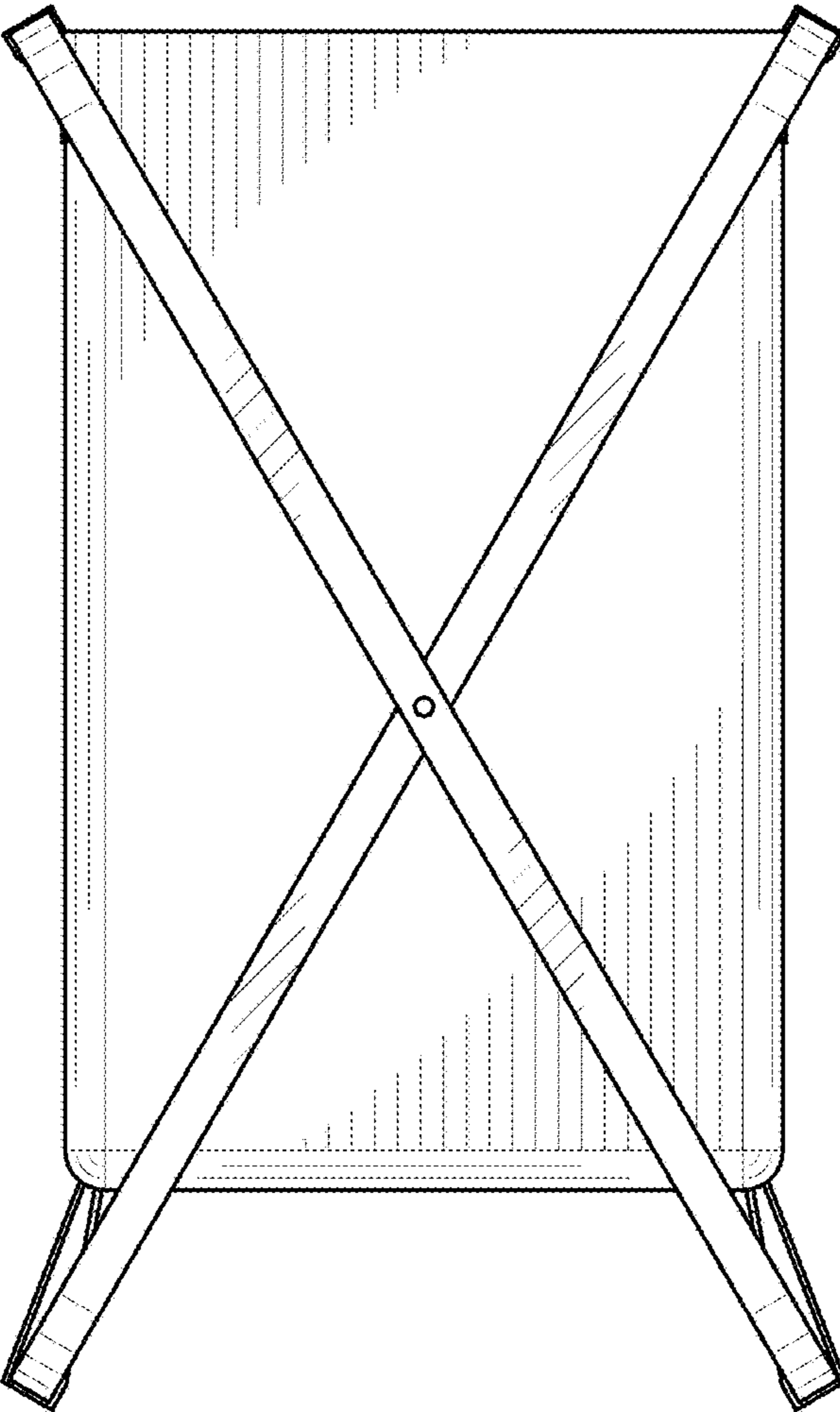


FIG. 1

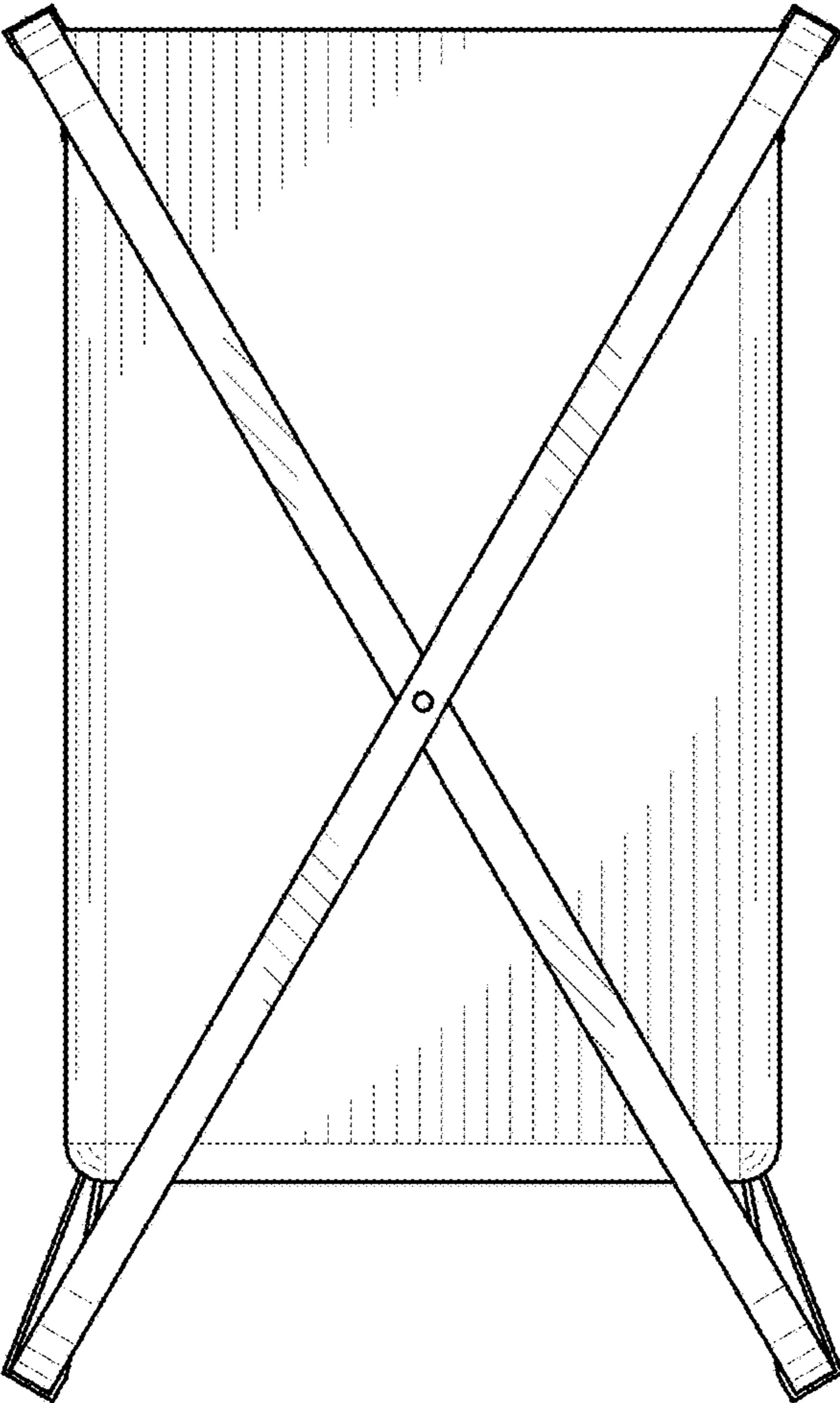


FIG. 2

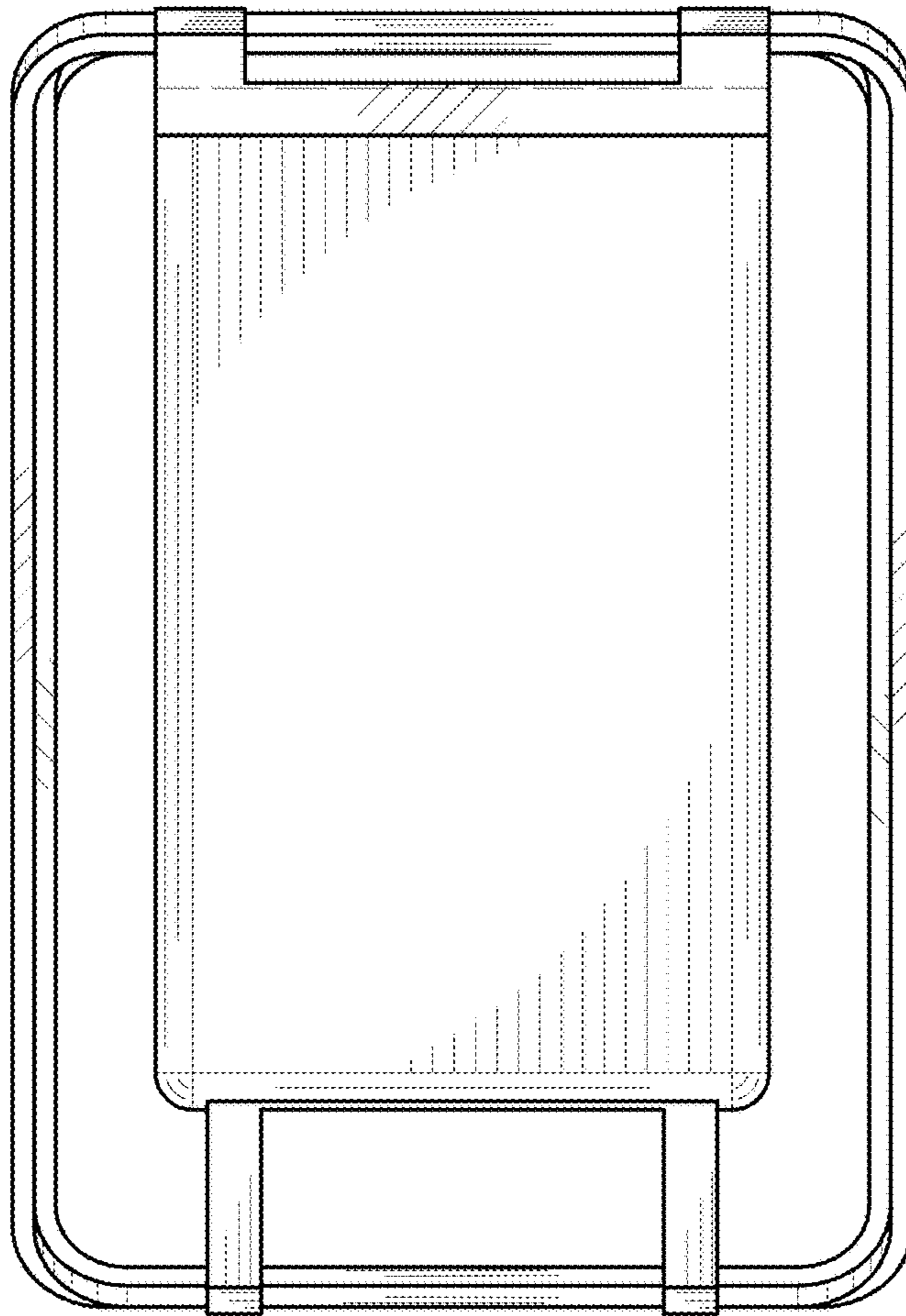


FIG. 3

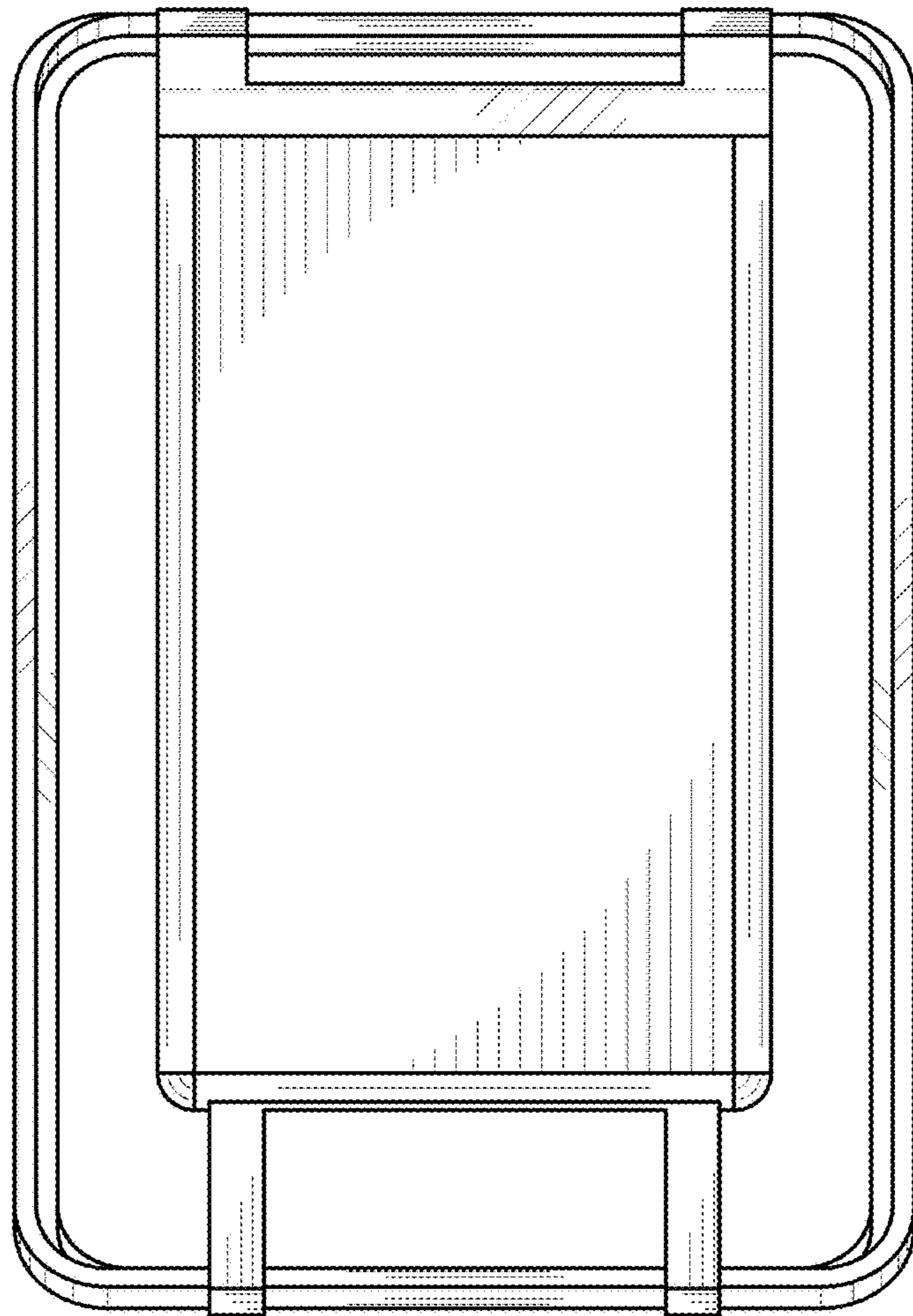


FIG. 4

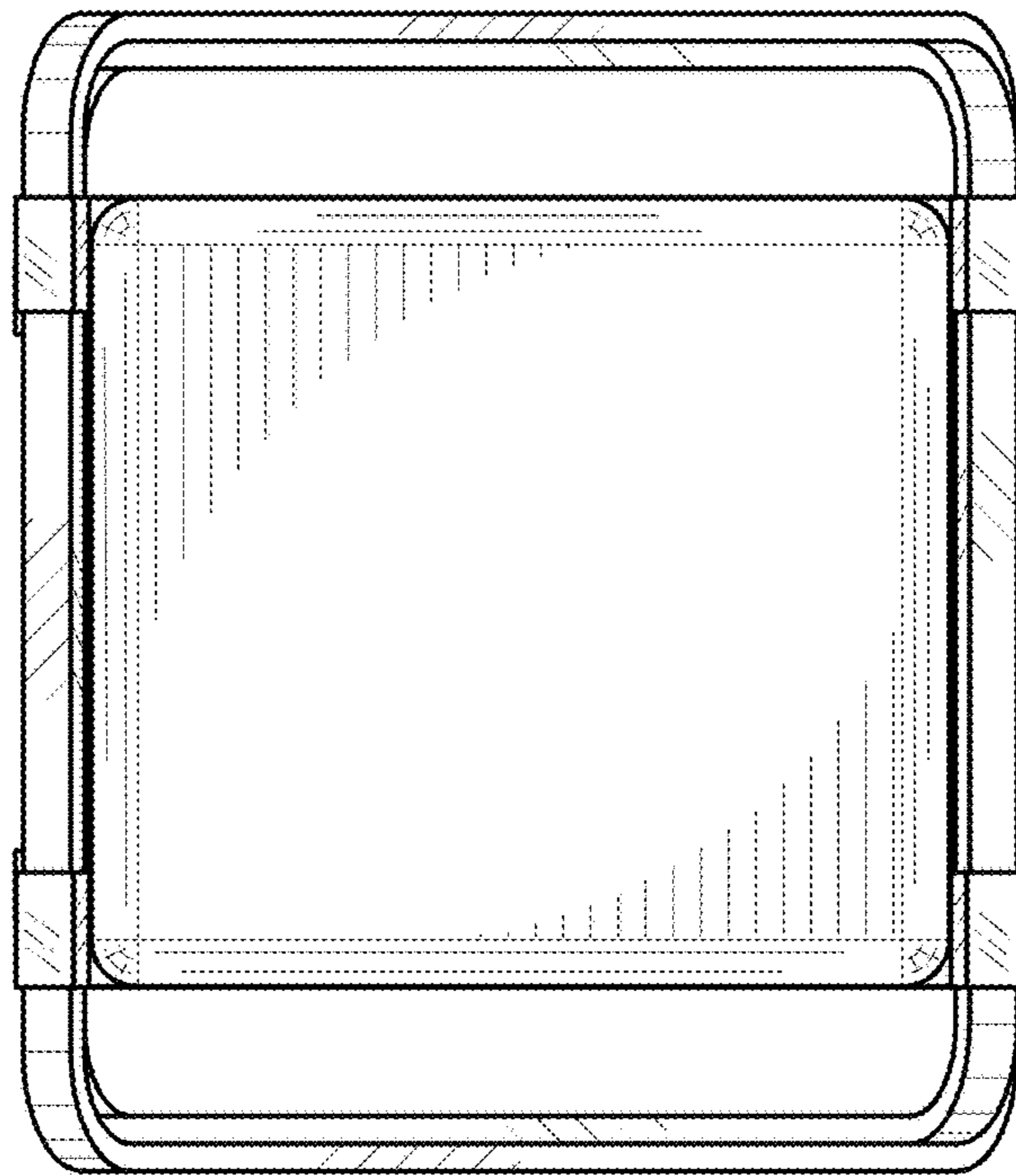


FIG. 5

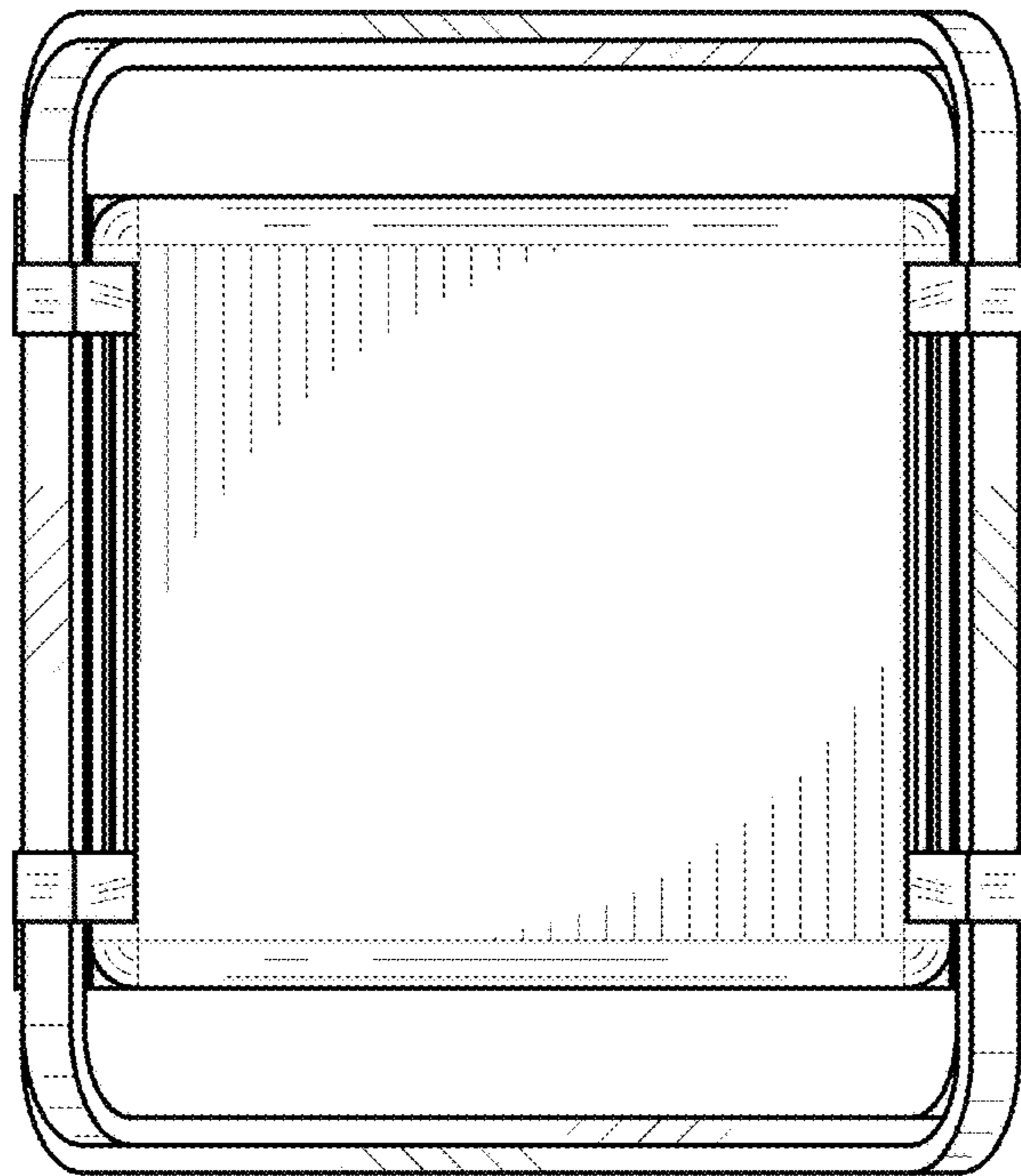


FIG. 6

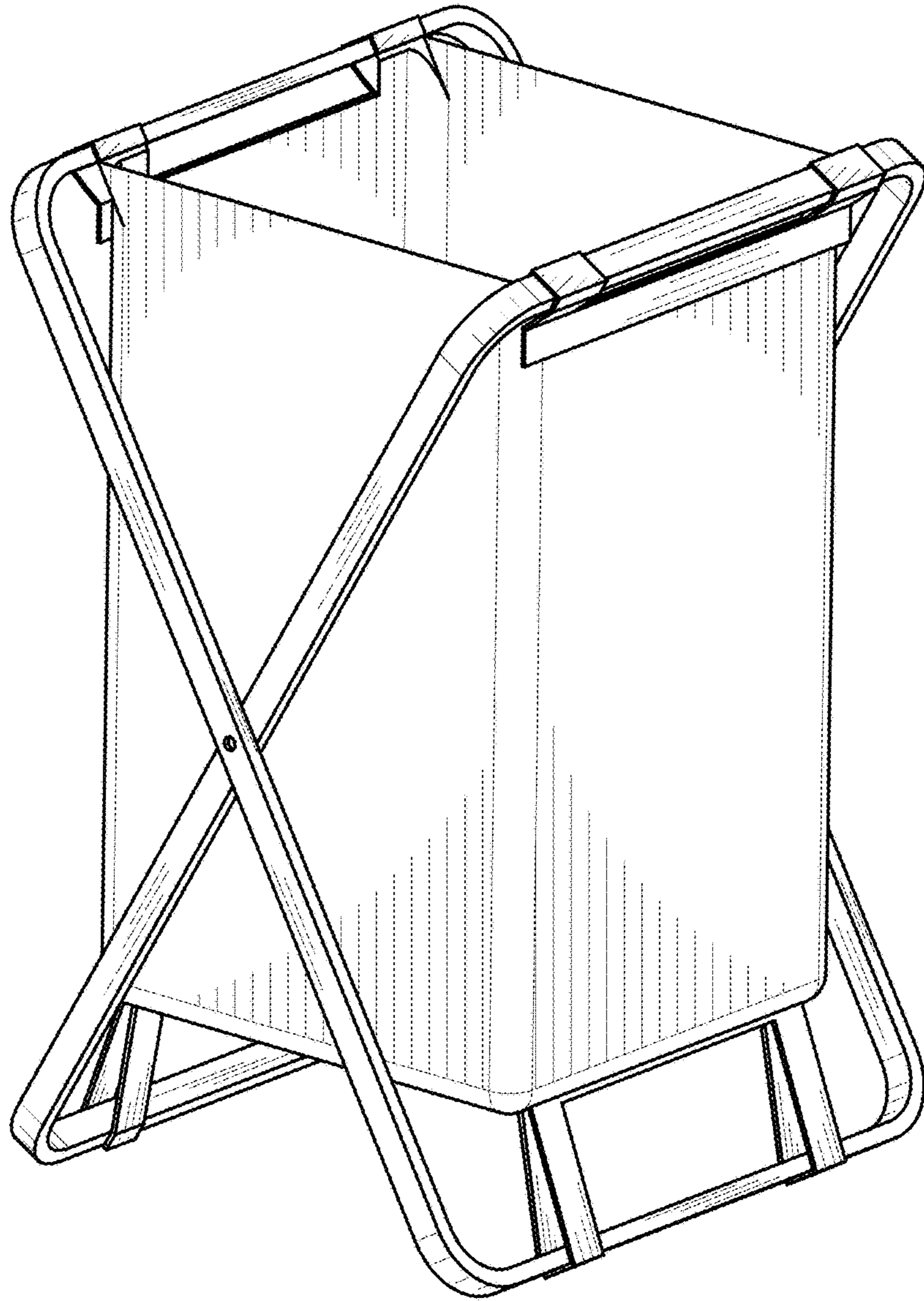


FIG. 7