



US00D855915S

(12) **United States Design Patent**
Kim et al.

(10) **Patent No.:** **US D855,915 S**

(45) **Date of Patent:** **** Aug. 6, 2019**

(54) **HANDLE FOR VACUUM CLEANER**

(71) Applicant: **Samsung Electronics Co., Ltd.**,
Suwon-si (KR)

(72) Inventors: **Yeon-Su Kim**, Seoul (KR); **Jae-Won Choi**, Seoul (KR); **Seung-Wook Suh**, Goyang-si (KR); **Jae-Ho Jang**, Seoul (KR)

(73) Assignee: **Samsung Electronics Co., Ltd.**,
Suwon-si (KR)

(**) Term: **15 Years**

(21) Appl. No.: **29/636,394**

(22) Filed: **Feb. 8, 2018**

(30) **Foreign Application Priority Data**

Aug. 9, 2017 (KR) 30-2017-0037043

(51) **LOC (12) Cl.** **15-05**

(52) **U.S. Cl.**
USPC **D32/34**

(58) **Field of Classification Search**
USPC D32/31-34, 22
CPC A47L 5/24; A47L 5/38; A47L 5/28; A47L 11/4044; A47L 11/34; A47L 7/0038; A47L 9/325; A47L 9/02; A47L 1/08; D01H 11/006; B60S 1/64; A46B 11/001; A46B 11/002; B08B 3/026; B08B 3/028
See application file for complete search history.

(56) **References Cited**

U.S. PATENT DOCUMENTS

D731,136 S * 6/2015 Yun D32/34
D731,724 S * 6/2015 Cheon D32/22
D731,725 S * 6/2015 Jang D32/34
D738,584 S * 9/2015 Niedzwecki D32/18
D770,111 S * 10/2016 Lee D32/34

D771,890 S * 11/2016 Kim D32/34
D772,512 S * 11/2016 Yoon D32/34
9,675,218 B2 * 6/2017 Kim A47L 5/225
D792,040 S * 7/2017 Meyer D32/22
D802,862 S * 11/2017 Jang D32/34
D802,863 S * 11/2017 Jang D32/34
D804,114 S * 11/2017 Kim D32/18

(Continued)

FOREIGN PATENT DOCUMENTS

EM 001409684-0001 9/2014
EM 003404540-0002 2/2016

(Continued)

Primary Examiner — Ruth McInroy

(74) *Attorney, Agent, or Firm* — NSIP Law

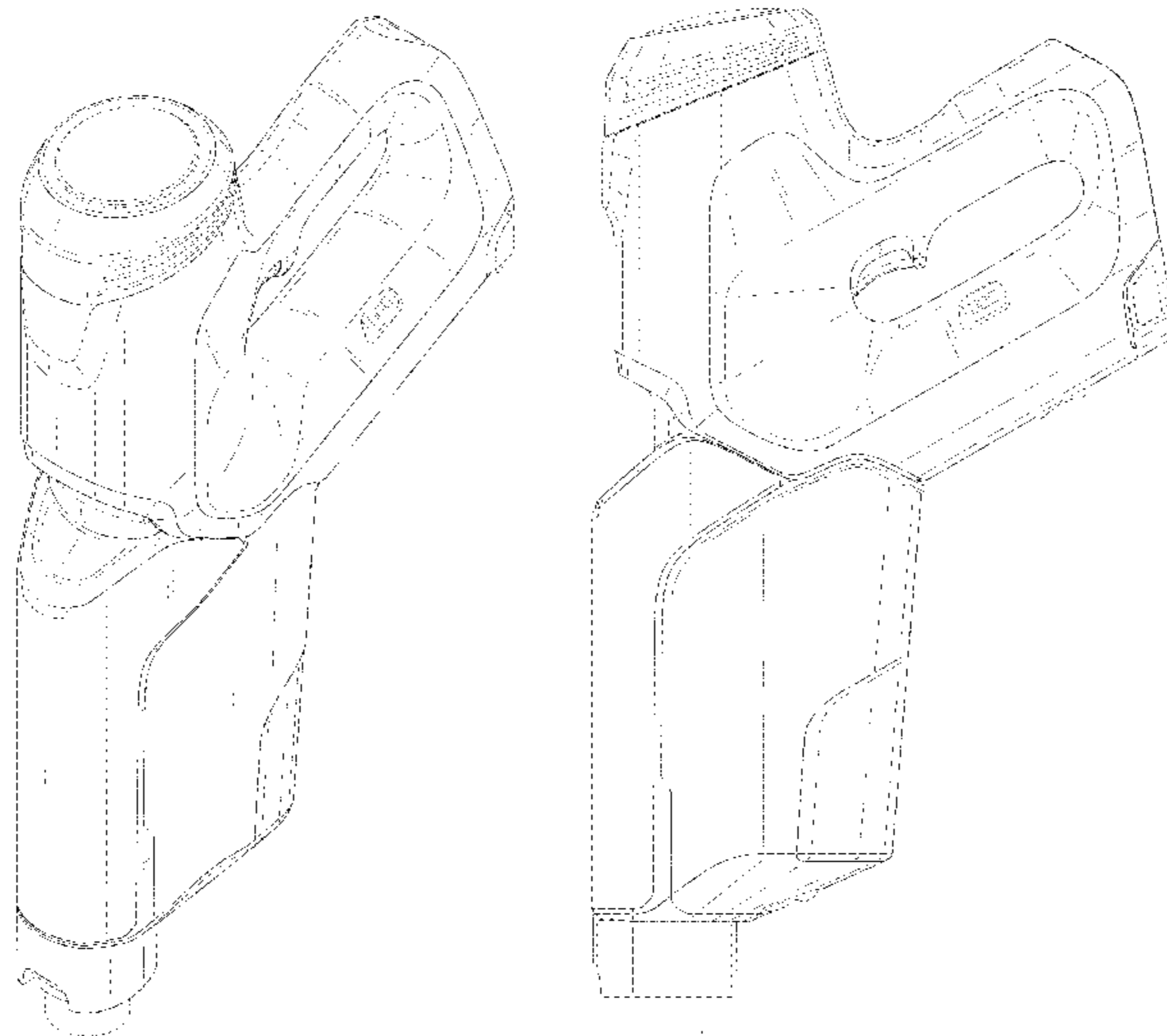
(57) **CLAIM**

We claim the ornamental design for a handle for vacuum cleaner, as shown and described.

DESCRIPTION

FIG. 1 is a front perspective view of a handle for vacuum cleaner showing our new design;
FIG. 2 is a front view thereof;
FIG. 3 is a rear view thereof;
FIG. 4 is a left-side view thereof;
FIG. 5 is a right-side view thereof;
FIG. 6 is a top view thereof;
FIG. 7 is a bottom view thereof;
FIG. 8 is a rear perspective view thereof;
FIG. 9 is another left-side view of the handle for vacuum cleaner shown in an alternate position; and,
FIG. 10 is a front perspective view of the handle for vacuum cleaner in which a vacuum cleaner in broken lines is provided to illustrate an example environment.
The broken lines in the figures show portions of the handle for vacuum cleaner which form no part of the claimed design.

1 Claim, 10 Drawing Sheets



(56)

References Cited

U.S. PATENT DOCUMENTS

D819,286 S * 5/2018 Kim D32/34
D827,231 S * 8/2018 Ward D32/18

FOREIGN PATENT DOCUMENTS

KR 30-2016-00426110 7/2017
WO DM/094301 11/2017

* cited by examiner

FIG. 1

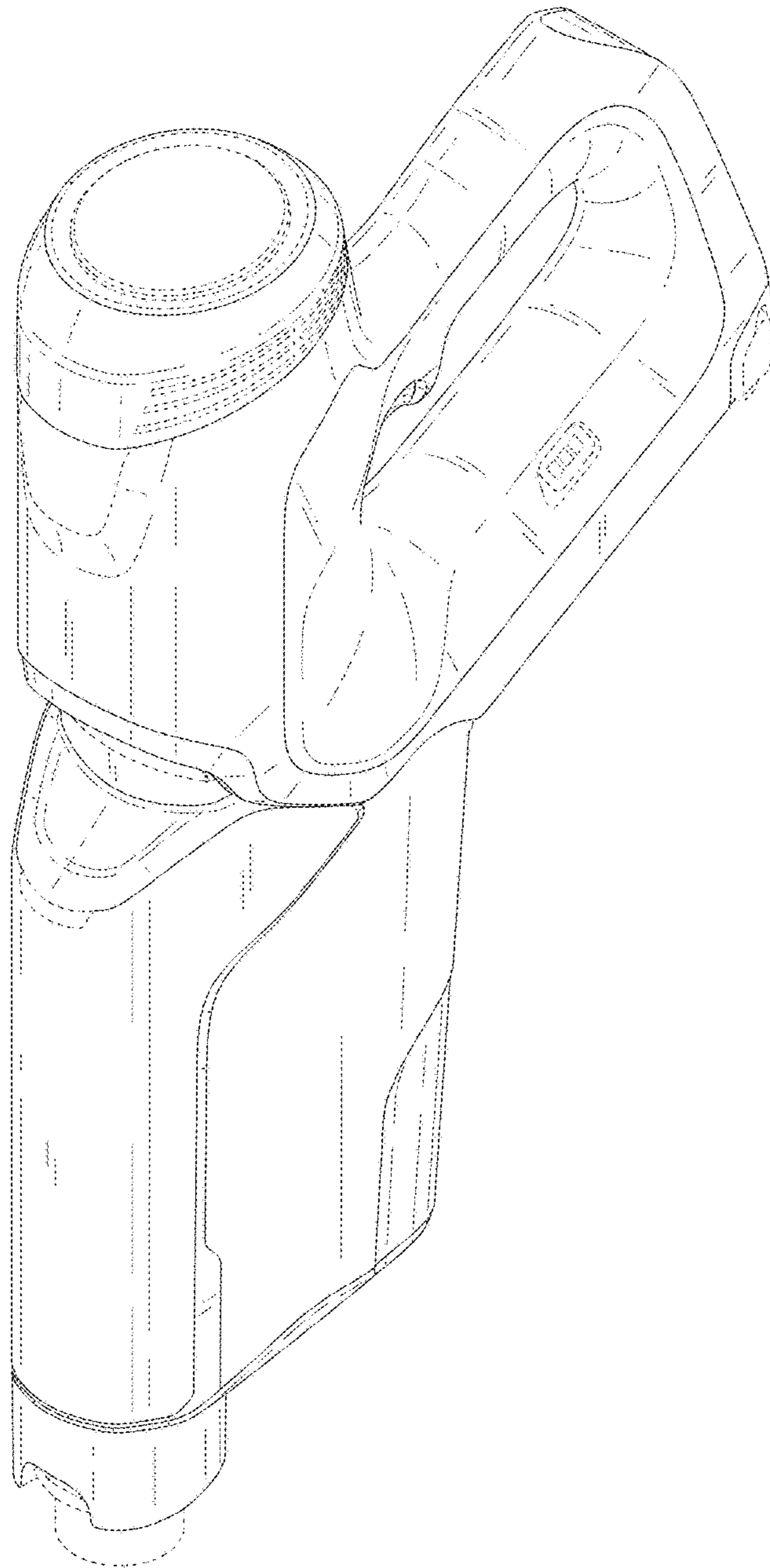


FIG. 2

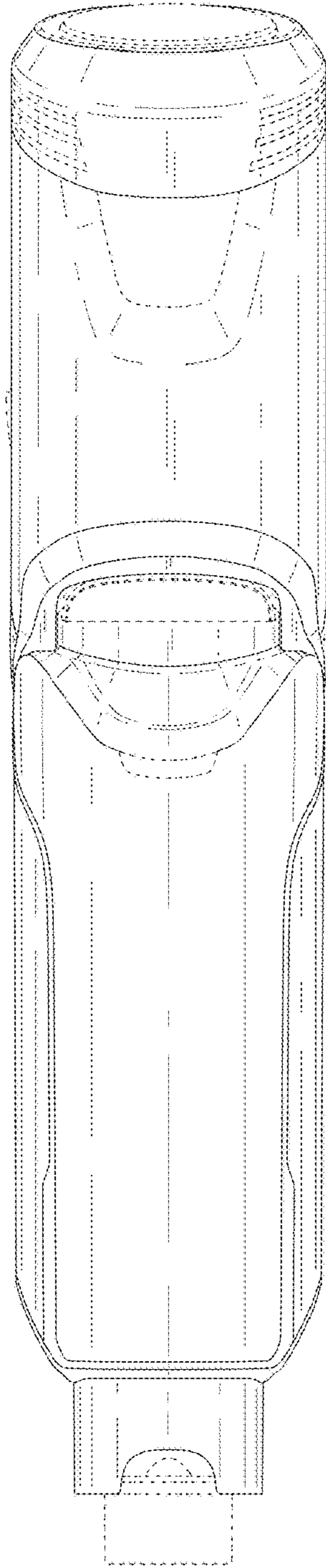


FIG. 3

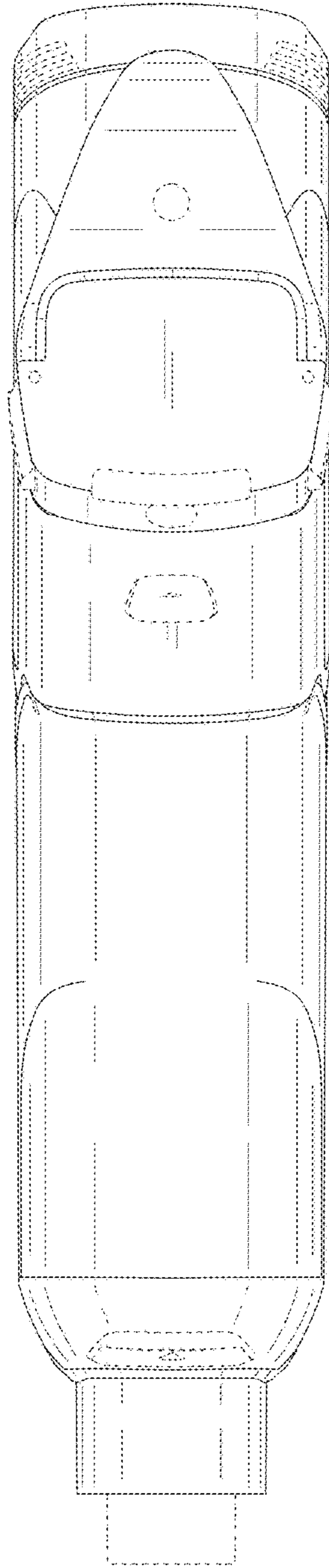


FIG. 4

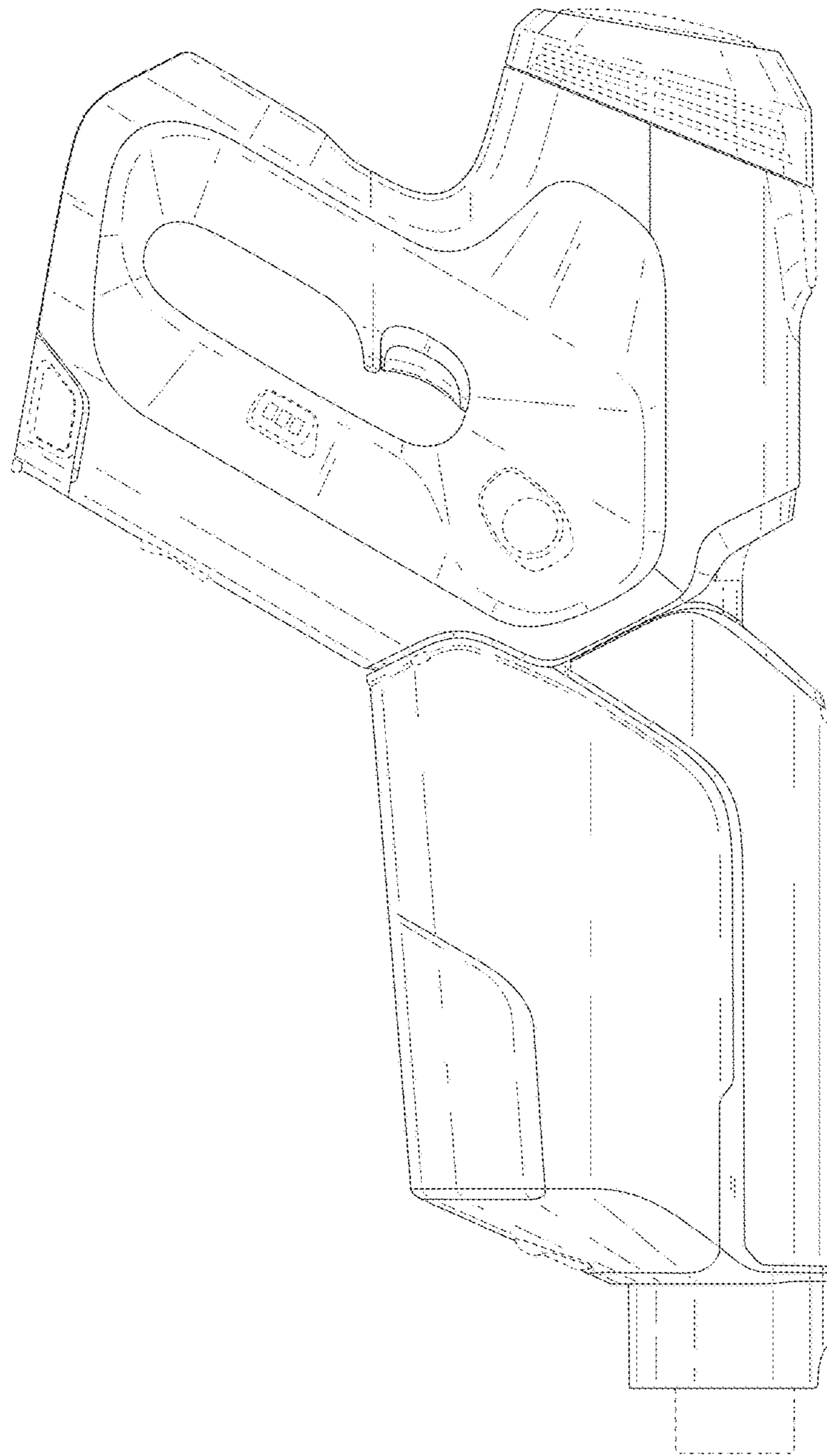


FIG. 5

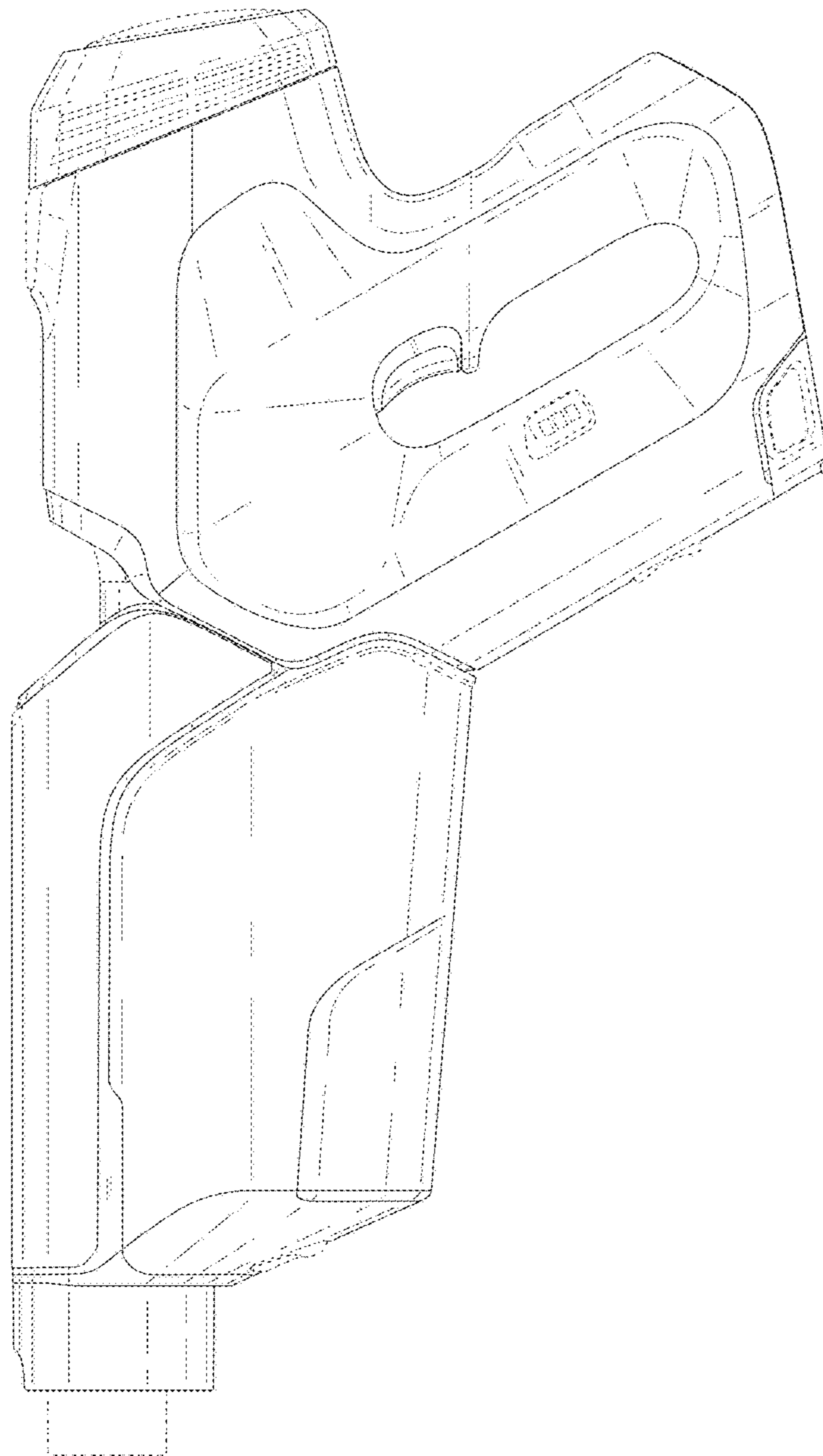


FIG. 6

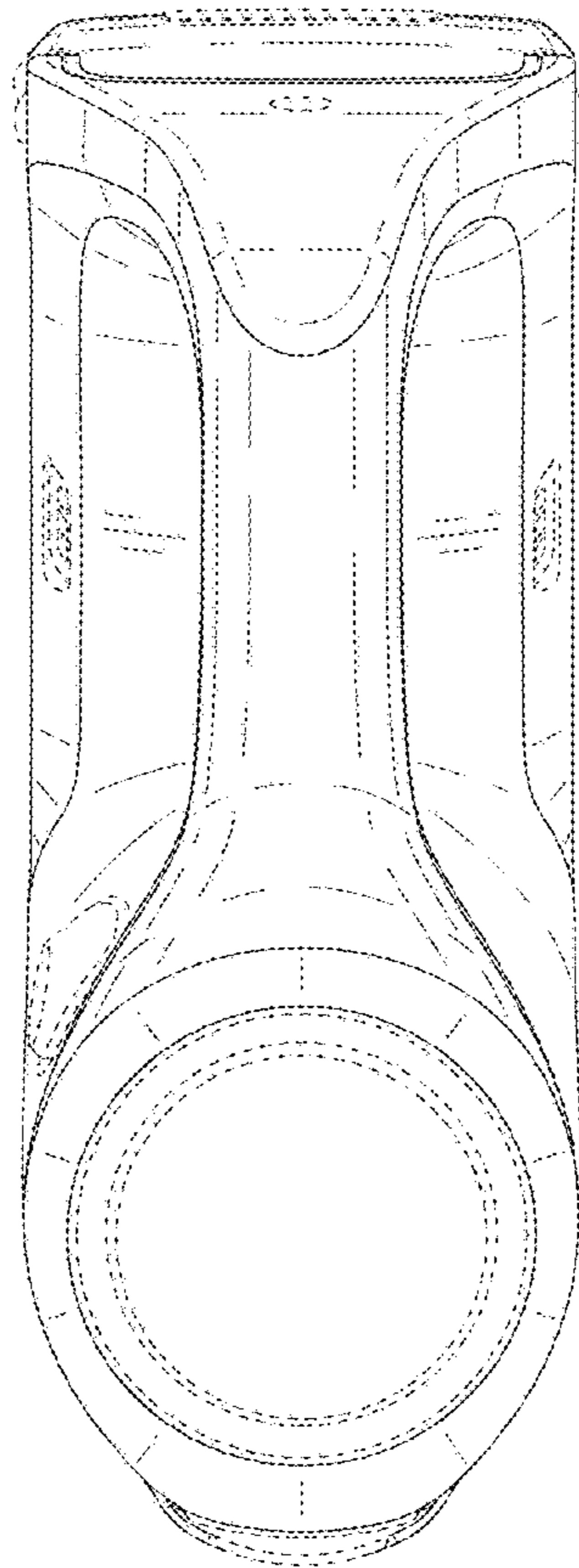


FIG. 7

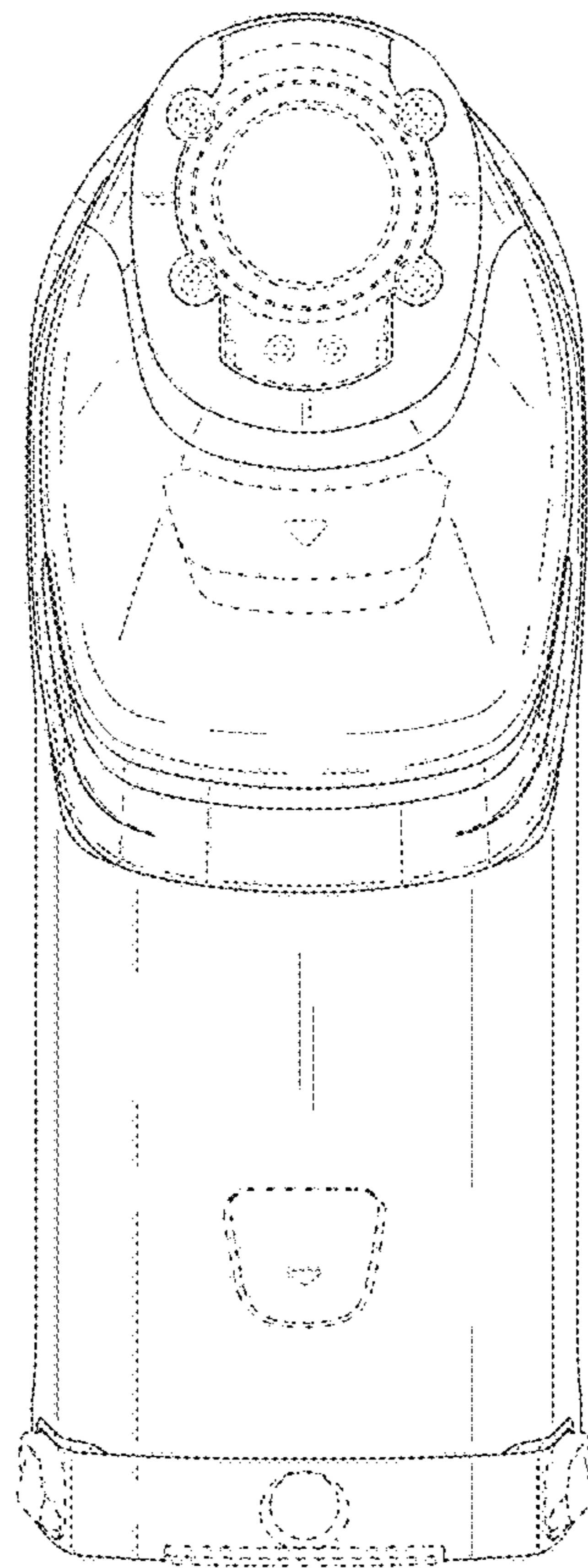


FIG. 8

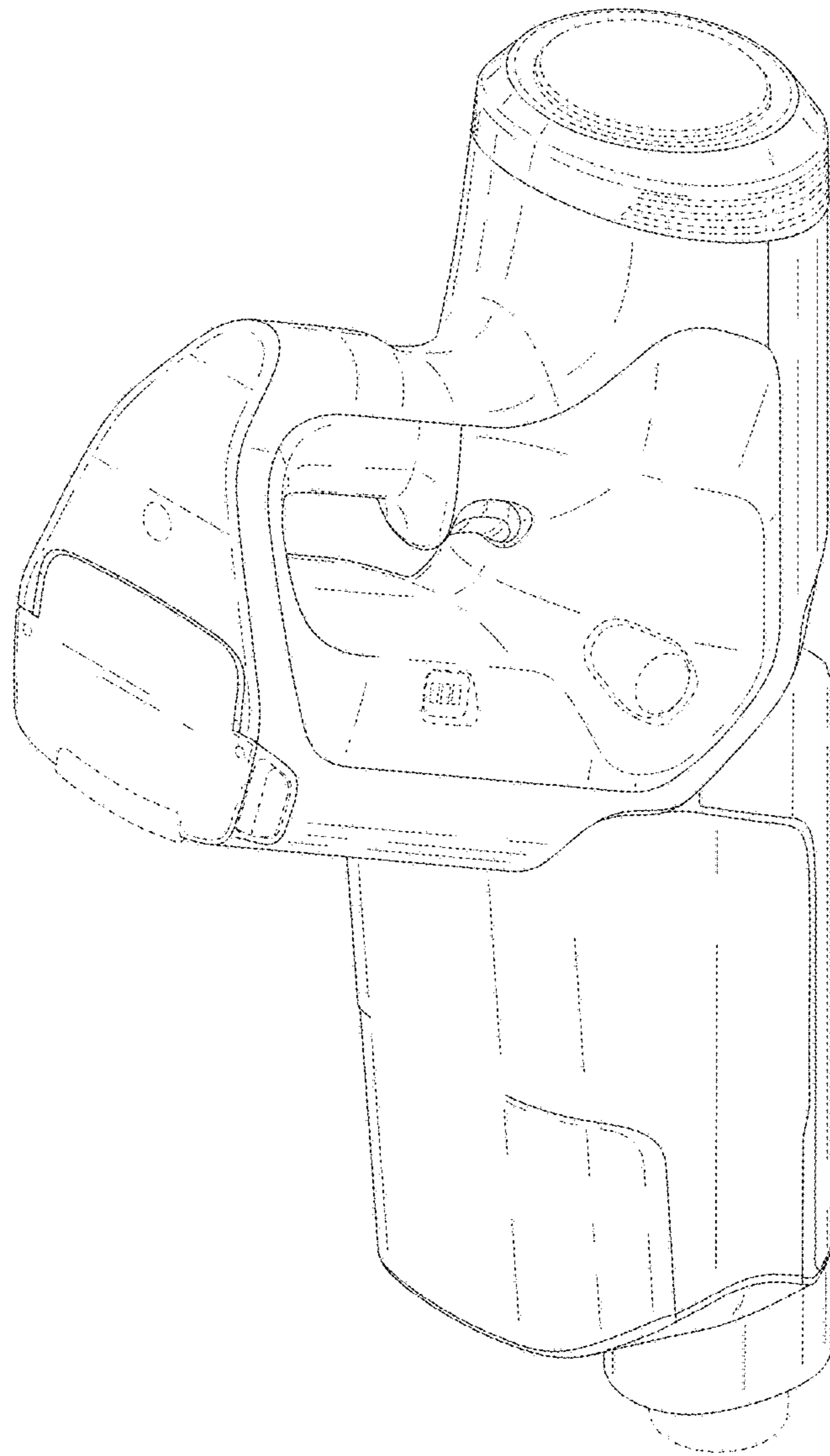


FIG. 9

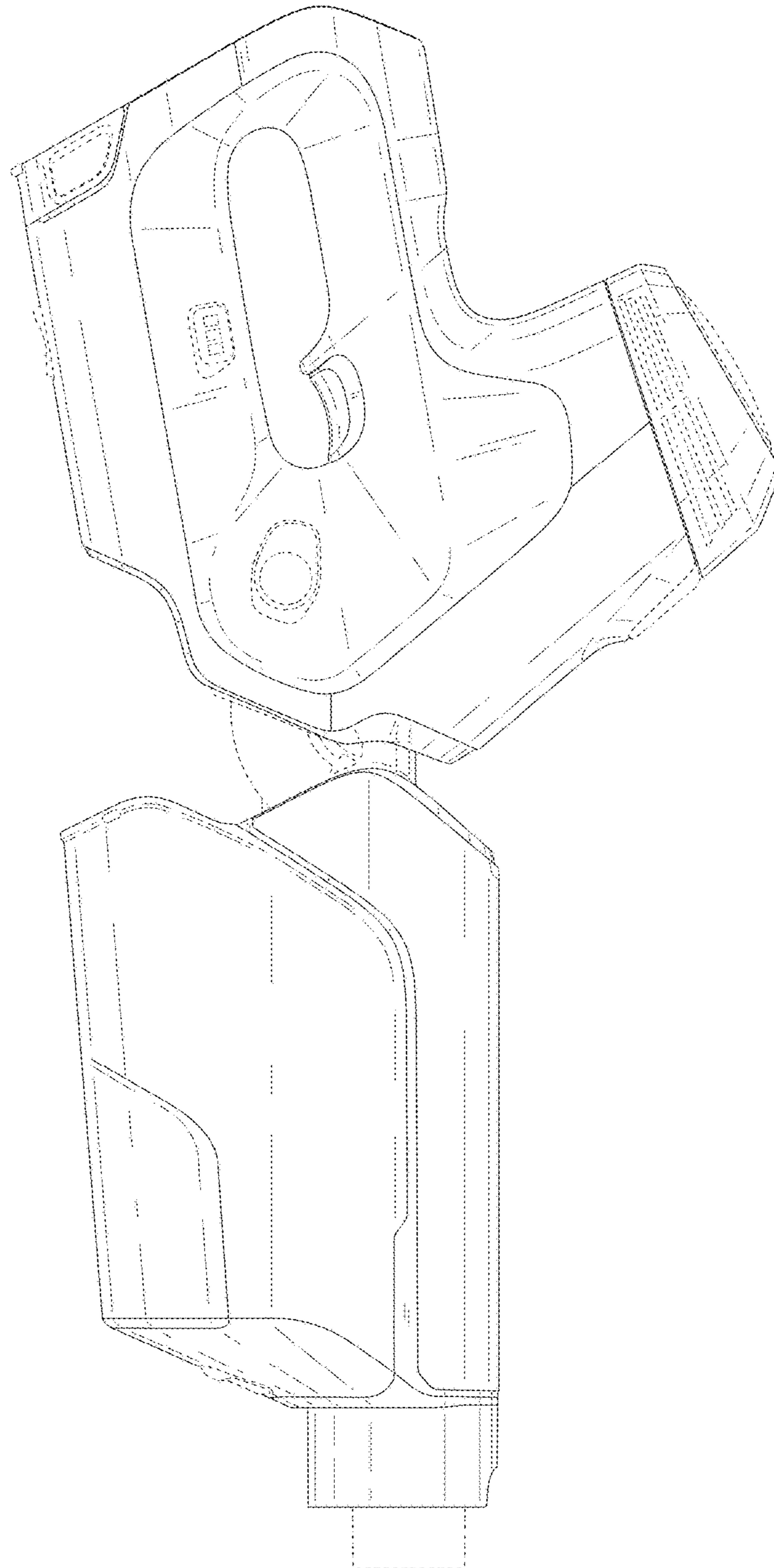


FIG. 10

