



US00D855914S

(12) **United States Design Patent** (10) **Patent No.:** **US D855,914 S**  
**Baker et al.** (45) **Date of Patent:** **\*\* Aug. 6, 2019**

(54) **INTERCHANGEABLE SCRUB BRUSH OR SCRUB PAD FOR A FLOOR MAINTENANCE VEHICLE**

(71) Applicant: **Tennant Company**, Minneapolis, MN (US)

(72) Inventors: **Leo J. Baker**, Holland, MI (US); **Jeremy C. Stoddard**, Holland, MI (US); **Steven J. Leibrandt**, Muskegon, MI (US); **Nathan Scott Meyer**, Zeeland, MI (US); **Justin M. Clark**, Hudsonville, MI (US)

(73) Assignee: **Tennant Company**, Minneapolis, MN (US)

(\*\*) Term: **15 Years**

(21) Appl. No.: **29/638,978**

(22) Filed: **Mar. 2, 2018**

**Related U.S. Application Data**

(62) Division of application No. 29/521,388, filed on Mar. 23, 2015, now Pat. No. Des. 817,569.

(51) **LOC (12) Cl.** ..... **15-05**

(52) **U.S. Cl.**  
USPC ..... **D32/25**

(58) **Field of Classification Search**  
USPC ..... D32/4, 15, 25, 28; D23/370, 379, 412; D10/64; D9/434, 447, 728; D4/102, D4/127, 128; 132/322; 451/285; 15/87, 15/88.2, 179, 230, 353  
CPC ..... A47L 11/00; A47L 11/02; A47L 11/162; A47L 11/164; A47L 11/283; B24B 23/02; A46B 13/00; A46B 13/008  
See application file for complete search history.

(56) **References Cited**

U.S. PATENT DOCUMENTS

D424,258 S	5/2000	Pihl et al.	
D424,765 S	5/2000	Lund et al.	
D425,269 S	5/2000	Pihl et al.	
D427,395 S	6/2000	Pihl et al.	
D473,685 S *	4/2003	McLain	D32/25
D532,946 S	11/2006	Gansebom et al.	
D571,505 S *	6/2008	Mettler	D28/73
D582,113 S	12/2008	van der Meijden et al.	
7,587,779 B2 *	9/2009	Walz	A47L 11/283 15/180
D699,834 S	2/2014	Pan	
D701,300 S	3/2014	Tanabe et al.	
D701,597 S	3/2014	DeFilippis	

(Continued)

*Primary Examiner* — Ian Simmons

*Assistant Examiner* — Yolanda Robinson

(74) *Attorney, Agent, or Firm* — Fredrikson & Byron, P.A.

(57) **CLAIM**

Applicant claims the ornamental design for an interchangeable scrub brush or scrub pad for a floor maintenance vehicle, as shown and described.

**DESCRIPTION**

FIG. 1 is an upper perspective view of an interchangeable scrub brush or scrub pad for a floor maintenance vehicle of Applicant's design;

FIG. 2 is a front elevational view thereof;

FIG. 3 is a rear elevational view thereof;

FIG. 4 is a left-side elevation view thereof;

FIG. 5 is a right-side elevation view thereof;

FIG. 6 is a top plan view thereof;

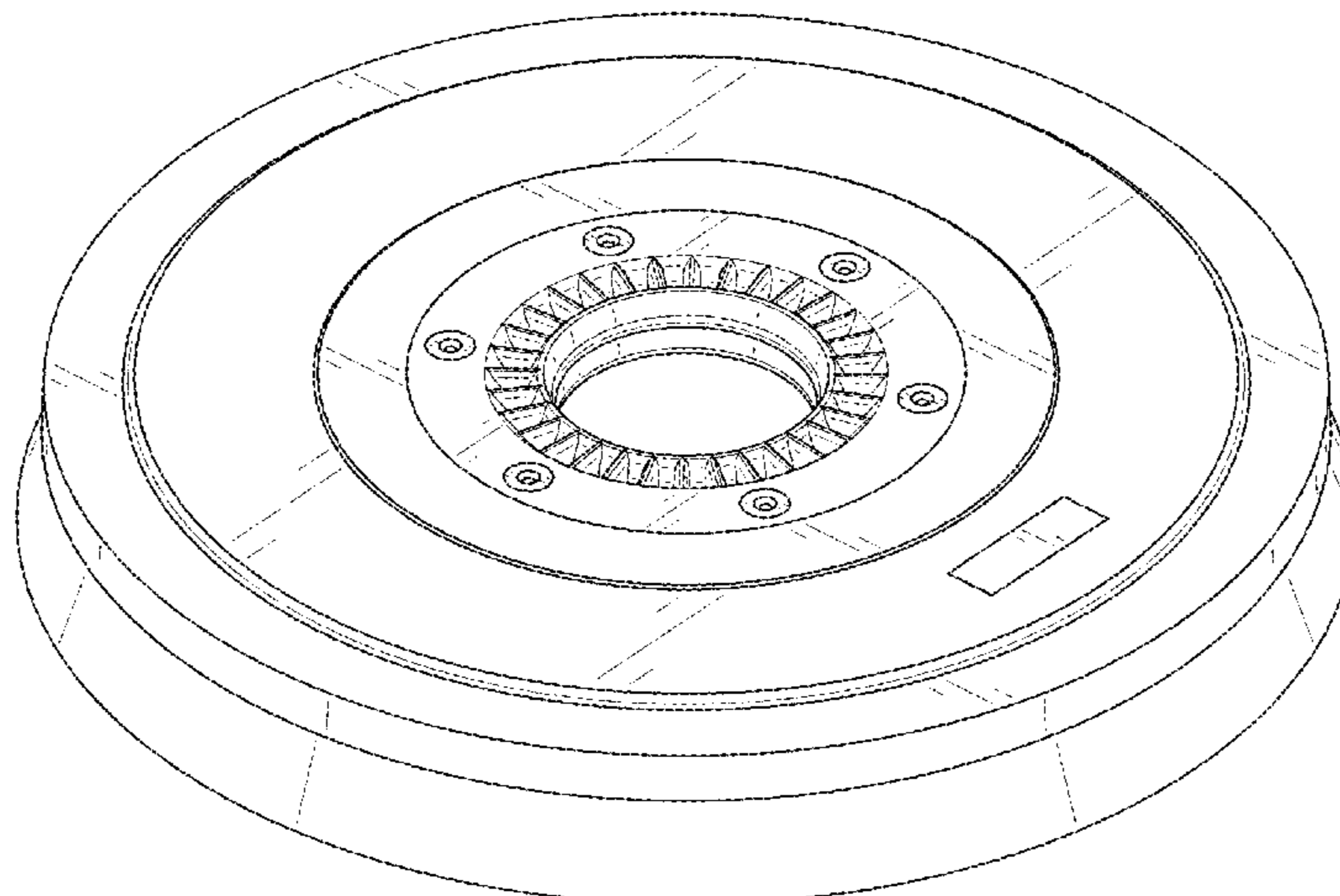
FIG. 7 is a bottom plan view thereof;

FIG. 8 is a sectional view thereof taken along line 8-8 in FIG. 6; and,

FIG. 9 is a sectional view thereof taken along line 9-9 in FIG. 6.

The broken lines shown represent unclaimed subject matter and form no part of the claimed design.

**1 Claim, 6 Drawing Sheets**



(56)

References Cited

U.S. PATENT DOCUMENTS

8,678,186	B2	3/2014	Fabian	
D702,829	S	4/2014	Chen et al.	
D745,955	S	12/2015	Chen et al.	
9,265,397	B2 *	2/2016	Larson .....	A47L 11/283
9,283,655	B2	3/2016	Olari	
D759,914	S	6/2016	Goff	
9,695,606	B1	7/2017	Allen, Jr.	
D795,511	S *	8/2017	Jeon .....	D32/6
D803,908	S *	11/2017	Yamaguchi .....	D15/130
D804,230	S *	12/2017	Allan .....	D6/716
9,980,556	B2 *	5/2018	Goff .....	A46B 13/008
D820,966	S *	6/2018	De Filippis .....	D23/370
D821,873	S *	7/2018	Katopis .....	D9/452
2008/0216259	A1 *	9/2008	Walz .....	A47L 11/283 15/49.1
2009/0139043	A1	6/2009	Ting	
2010/0154153	A1	6/2010	Hooper et al.	
2011/0030163	A1 *	2/2011	Tucker .....	A47L 11/305 15/320
2012/0118319	A1	5/2012	Stuchlik et al.	
2013/0157548	A1	6/2013	Palushaj	
2014/0237743	A1 *	8/2014	Baker .....	A47L 11/4069 15/98
2015/0216386	A1 *	8/2015	Baker .....	A47L 11/283 15/49.1
2016/0072416	A1 *	3/2016	Hirovani .....	H02P 25/22 318/400.02
2016/0183755	A1 *	6/2016	Mundinger .....	A47L 11/162 15/49.1
2017/0073050	A1 *	3/2017	Smith .....	E04H 4/1618

\* cited by examiner

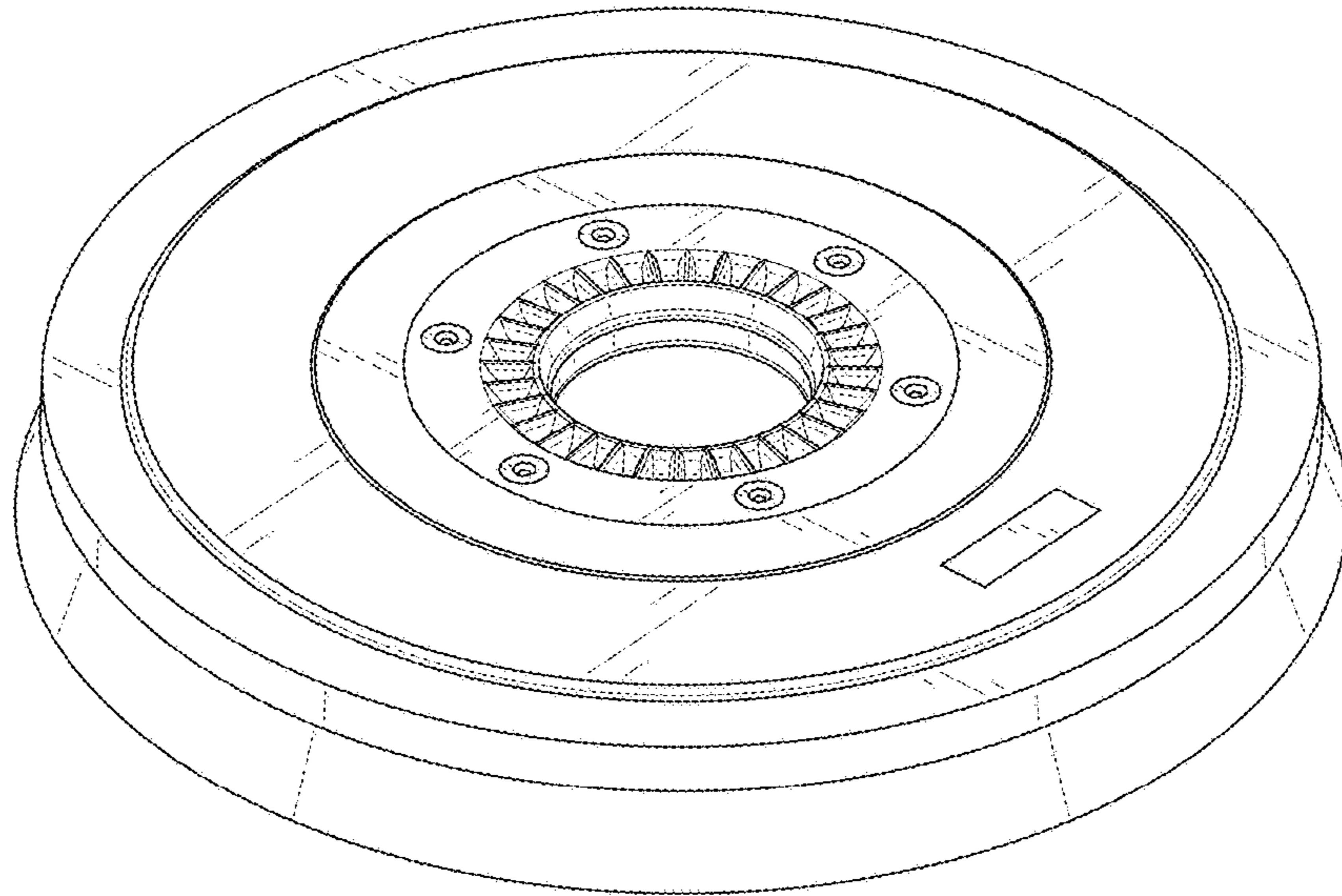


FIG. 1

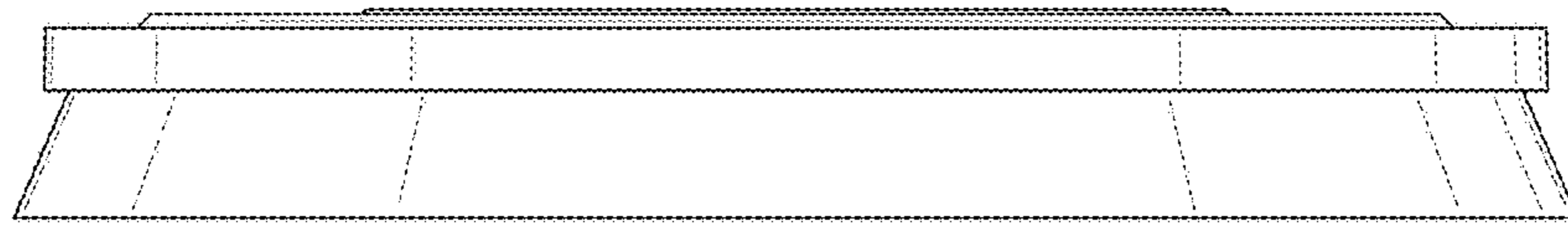


FIG. 2

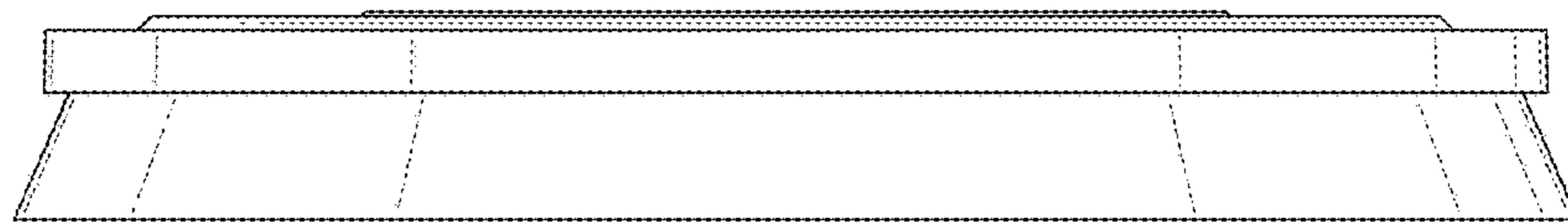


FIG. 3

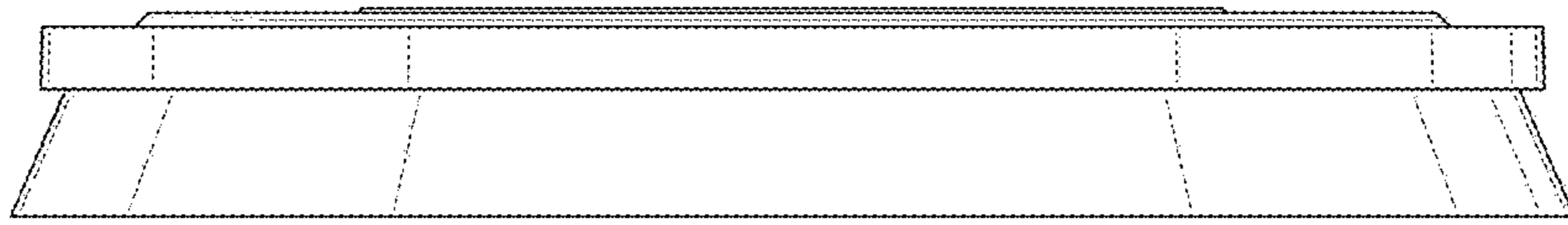


FIG. 4

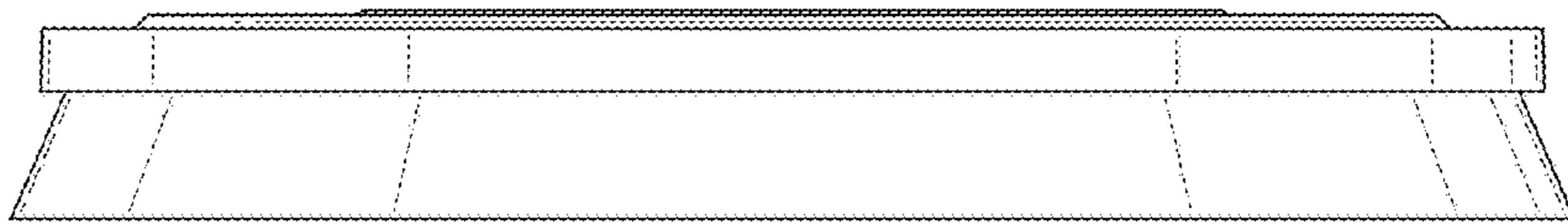


FIG. 5

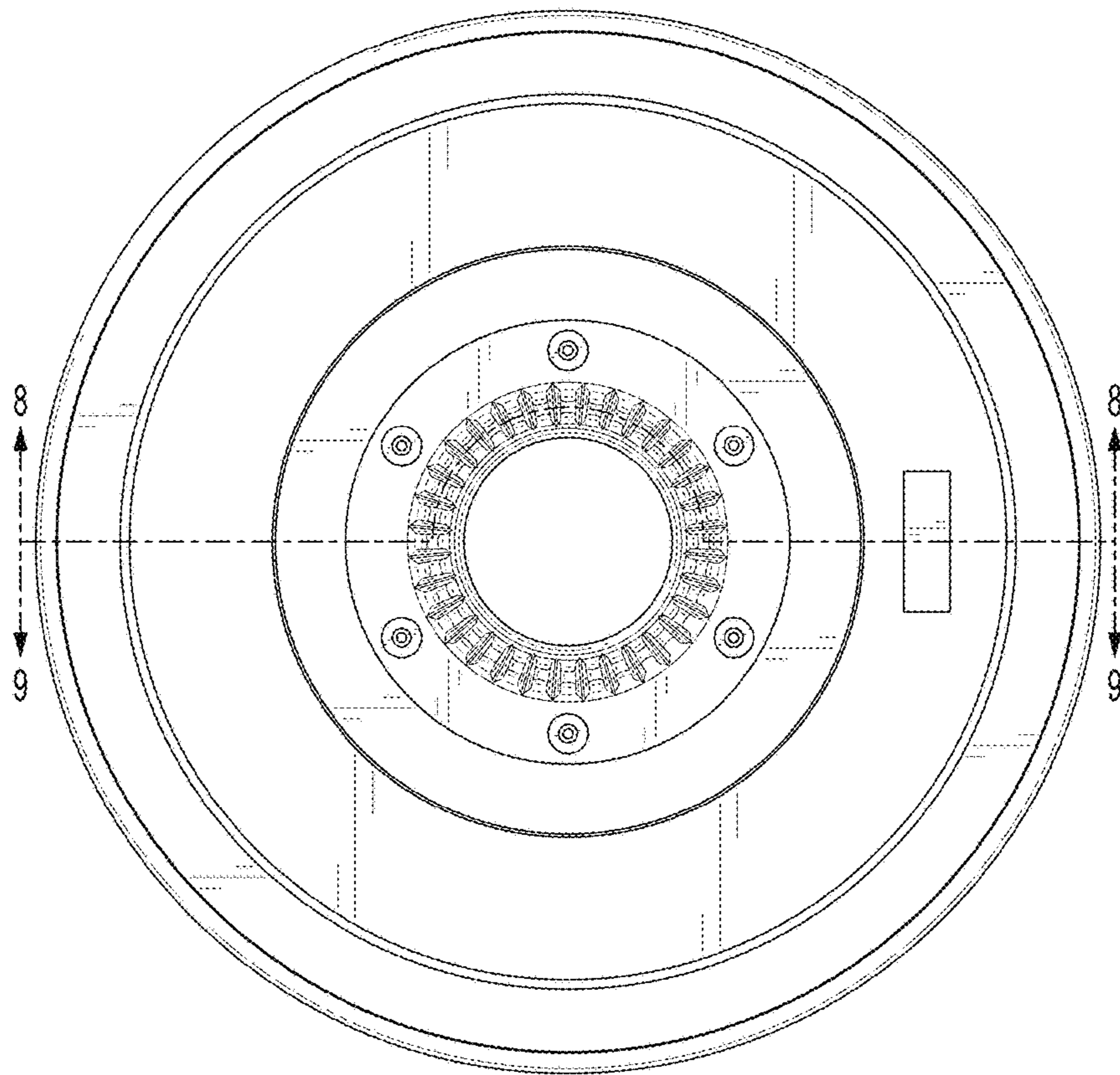


FIG. 6

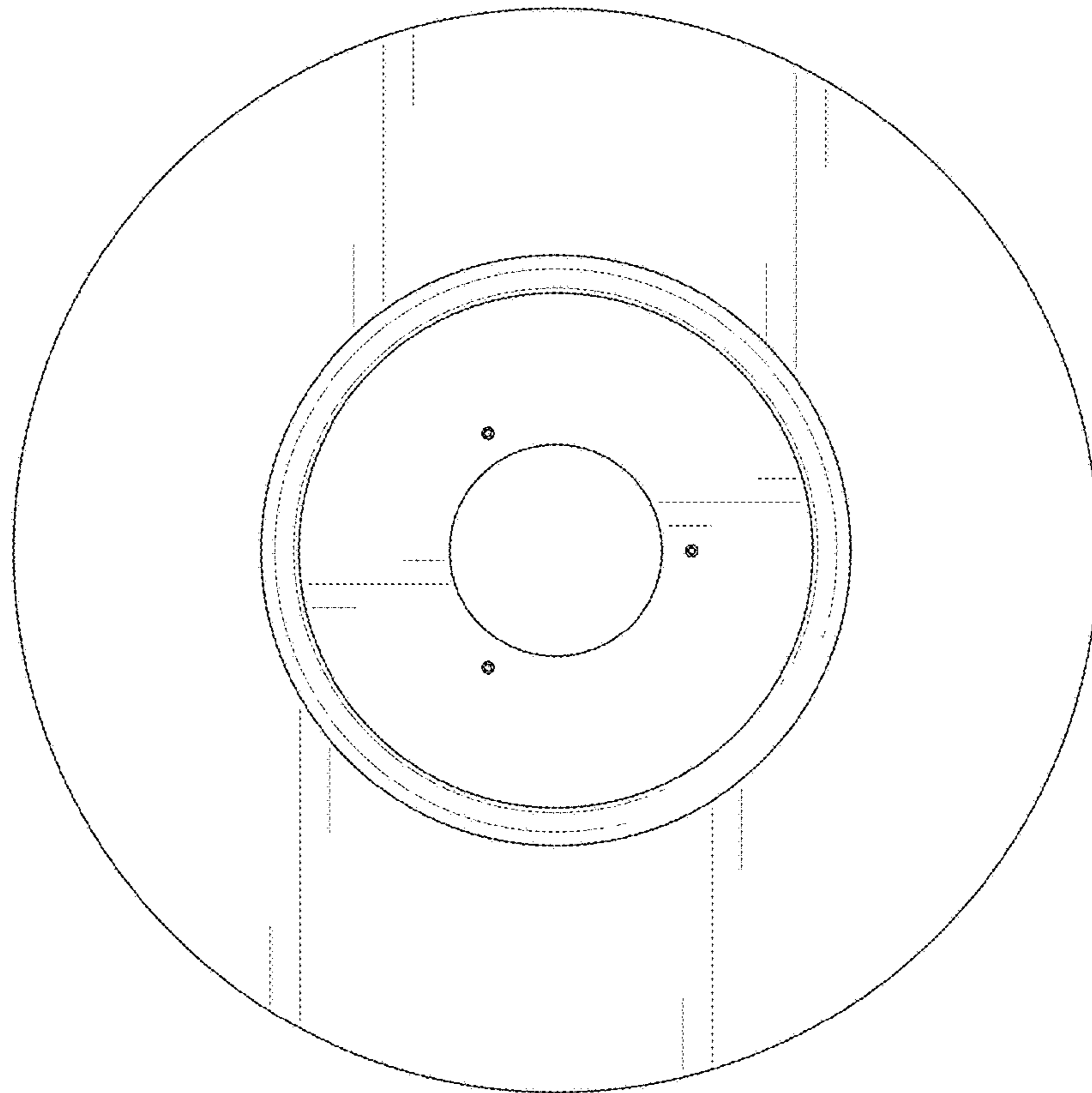


FIG. 7

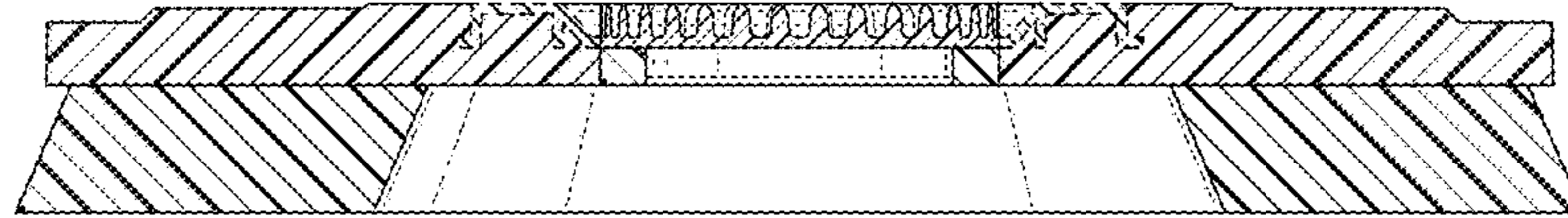


FIG. 8

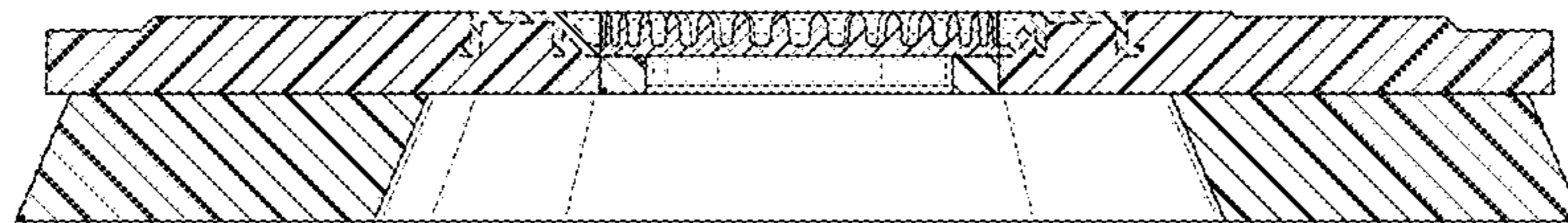


FIG. 9