



US00D855910S

(12) **United States Design Patent** (10) **Patent No.:** **US D855,910 S**  
**Gammack et al.** (45) **Date of Patent:** **\*\* Aug. 6, 2019**

(54) **VACUUM CLEANER**  
(71) Applicant: **Dyson Technology Limited**, Wiltshire (GB)  
(72) Inventors: **Peter David Gammack**, Gloucester (GB); **Stephen Robert Dimbylow**, Swindon (GB); **Robert Hinchliffe**, Bristol (GB); **Jeremy William Crouch**, Swindon (GB)  
(73) Assignee: **Dyson Technology Limited**, Malmesbury, Wiltshire (GB)

D731,133 S 6/2015 Dyson et al.  
D731,134 S \* 6/2015 Dyson ..... D32/31  
D731,720 S 6/2015 Gidwell et al.  
D741,558 S 10/2015 Kerr  
D747,571 S \* 1/2016 Dyson ..... D32/18  
D747,572 S \* 1/2016 Kerr ..... D32/18

(Continued)

**FOREIGN PATENT DOCUMENTS**

EM 001361141-0001 12/2013  
EM 001361141-0003 12/2013

(Continued)

**OTHER PUBLICATIONS**

Gammack et al., U.S. Office Action dated Aug. 24, 2018, directed to U.S. Appl. No. 29/617,663; 8 pages.

(Continued)

*Primary Examiner* — Ruth McInroy  
(74) *Attorney, Agent, or Firm* — Morrison & Foerster LLP

(\*\*) Term: **15 Years**  
(21) Appl. No.: **29/617,740**  
(22) Filed: **Sep. 15, 2017**  
(30) **Foreign Application Priority Data**

Mar. 16, 2017 (GB) ..... 6009142

(51) **LOC (12) Cl.** ..... **15-05**

(52) **U.S. Cl.** ..... **D32/18**  
USPC .....

(58) **Field of Classification Search**  
USPC ..... D32/17-18, 22, 31, 34  
CPC ..... A47L 5/24; A47L 5/06; A47L 5/28; A47L 9/127; A47L 9/1683; A47L 9/16; A47L 9/1608; A47L 9/322

See application file for complete search history.

(56) **References Cited**

**U.S. PATENT DOCUMENTS**

D668,823 S 10/2012 Stickney et al.  
8,302,250 B2 \* 11/2012 Dyson ..... A47L 5/24 15/327.1  
8,397,344 B2 3/2013 Liddell  
D708,803 S 7/2014 Dyson et al.  
8,925,145 B2 \* 1/2015 Wilson ..... A47L 5/24 15/347  
D731,130 S \* 6/2015 Dyson ..... D32/18

(57) **CLAIM**

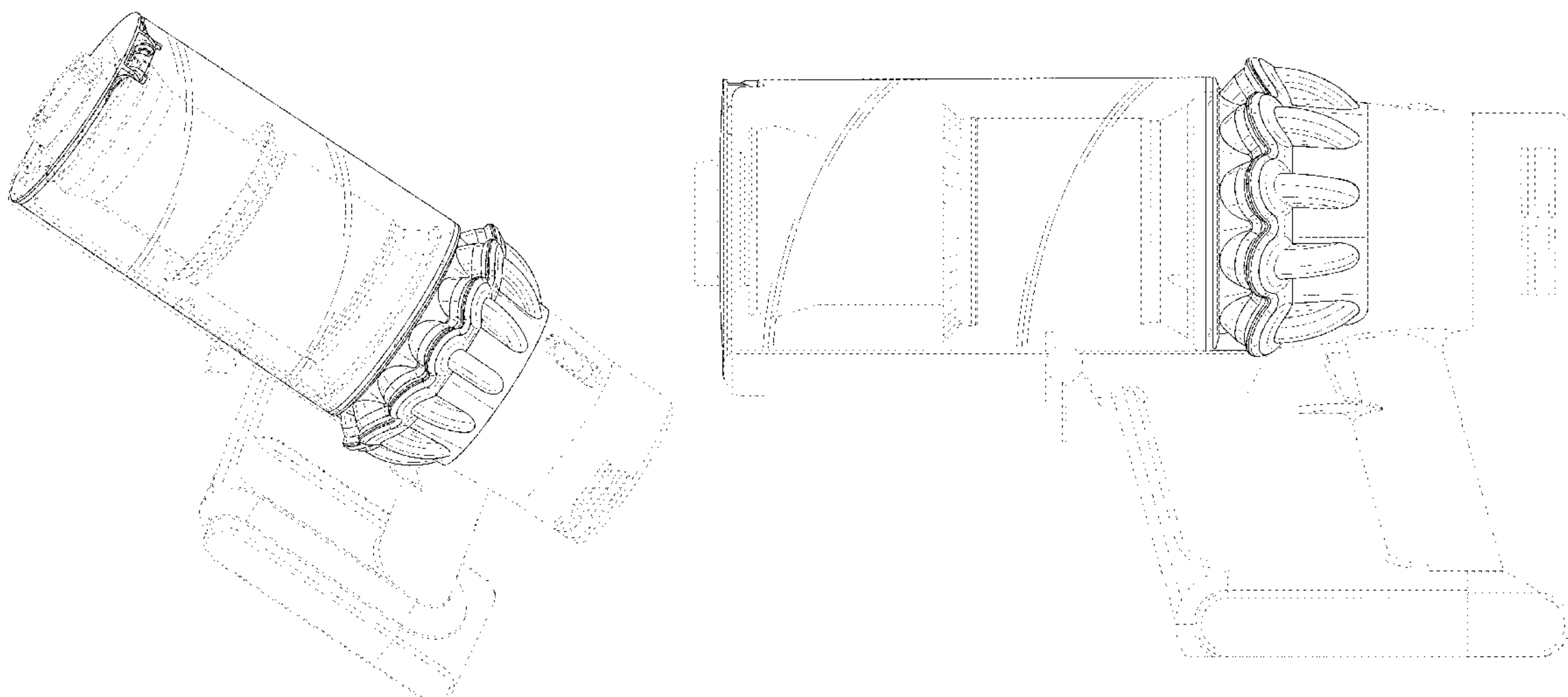
We claim the ornamental design for a vacuum cleaner, as shown and described.

**DESCRIPTION**

FIG. 1 is a perspective view of a vacuum cleaner showing our new design;  
FIG. 2 is a side view thereof;  
FIG. 3 is a side view of the opposite side of FIG. 2;  
FIG. 4 is a front view thereof;  
FIG. 5 is a rear view thereof;  
FIG. 6 is a top view thereof; and,  
FIG. 7 is a bottom view thereof.

The broken lines shown in the drawings illustrate portions of a vacuum cleaner that form no part of the claimed design.

**1 Claim, 7 Drawing Sheets**



(56)

**References Cited**

U.S. PATENT DOCUMENTS

9,451,858 B2 9/2016 Stickney et al.  
D792,665 S \* 7/2017 Salagnac ..... D32/18  
9,788,697 B2 \* 10/2017 Peace ..... A47L 9/165  
D813,475 S \* 3/2018 Lee ..... D32/18  
D821,044 S \* 6/2018 Cao ..... D32/18  
9,986,880 B2 \* 6/2018 Conrad ..... A47L 5/225  
D826,493 S 8/2018 Nam et al.  
2009/0307863 A1 \* 12/2009 Milne ..... A47L 5/24  
15/344

FOREIGN PATENT DOCUMENTS

EM 001361141-0009 12/2013  
JP D1528476 7/2015  
JP D1541956 1/2016

OTHER PUBLICATIONS

Gammack et al., U.S. Office Action dated Aug. 24, 2018, directed to U.S. Appl. No. 29/617,685; 6 pages.

Gammack et al., U.S. Office Action dated Aug. 24, 2018, directed to U.S. Appl. No. 29/617,688; 6 pages.  
Gammack et al., U.S. Office Action dated Aug. 24, 2018, directed to U.S. Appl. No. 29/617,692; 6 pages.  
Gammack et al., U.S. Office Action dated Aug. 27, 2018, directed to U.S. Appl. No. 29/617,693; 6 pages.  
Gammack et al., U.S. Office Action dated Aug. 27, 2018, directed to U.S. Appl. No. 29/617,694; 6 pages.  
Gammack et al., U.S. Office Action dated Aug. 27, 2018, directed to U.S. Appl. No. 29/617,699; 6 pages.  
Gammack et al., U.S. Office Action dated Aug. 30, 2018, directed to U.S. Appl. No. 29/617,672; 7 pages.  
Gammack et al., U.S. Office Action dated Aug. 30, 2018, directed to U.S. Appl. No. 29/617,677; 6 pages.  
Gammack et al., U.S. Office Action dated Aug. 30, 2018, directed to U.S. Appl. No. 29/617,680; 6 pages.  
Gammack et al., U.S. Office Action dated Aug. 30, 2018, directed to U.S. Appl. No. 29/617,683; 6 pages.  
Gammack et al., U.S. Office Action dated Aug. 30, 2018, directed to U.S. Appl. No. 29/617,684; 6 pages.  
Gammack et al., U.S. Office Action dated Aug. 30, 2018, directed to U.S. Appl. No. 29/617,689; 6 pages.

\* cited by examiner

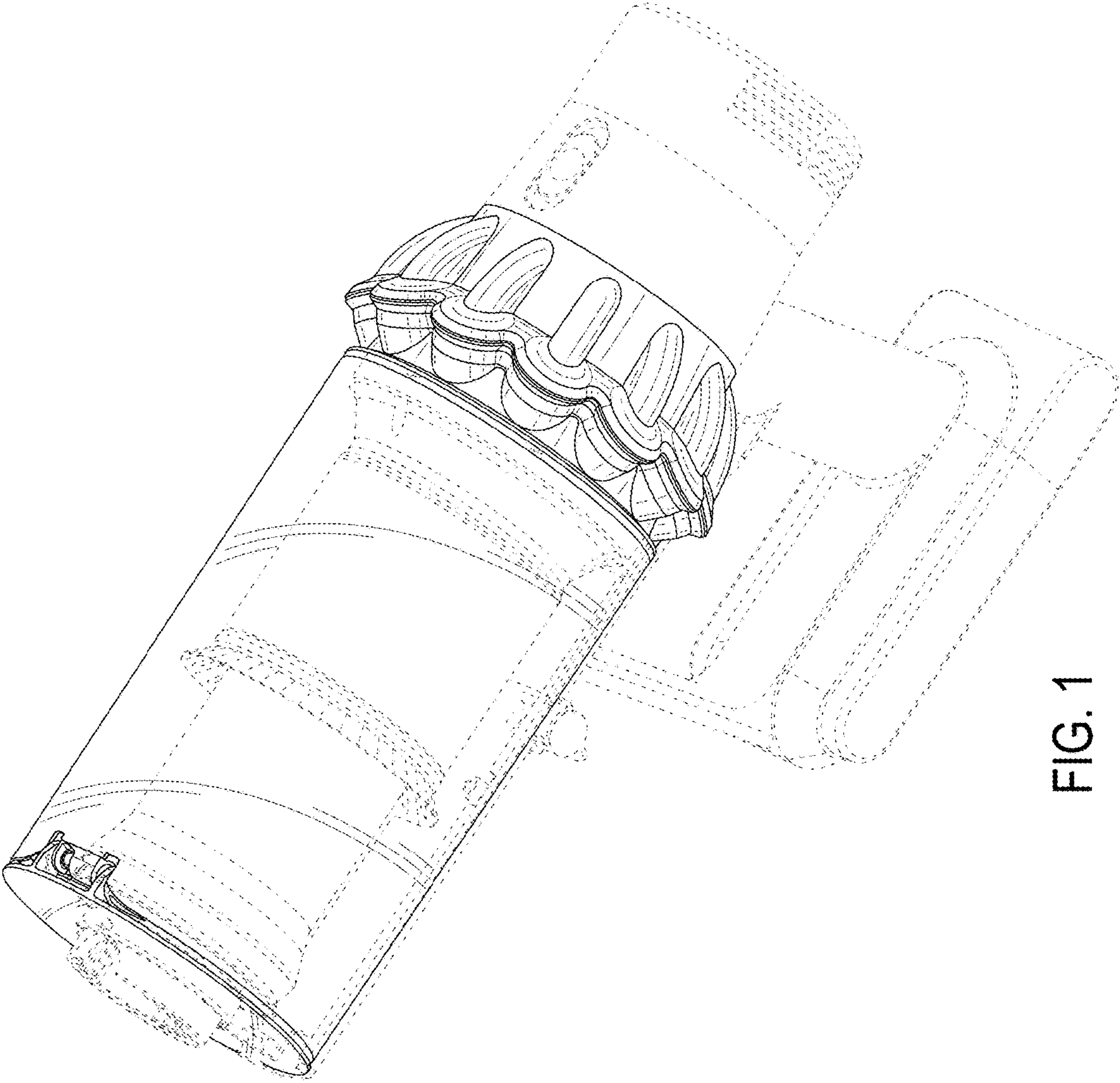


FIG. 1



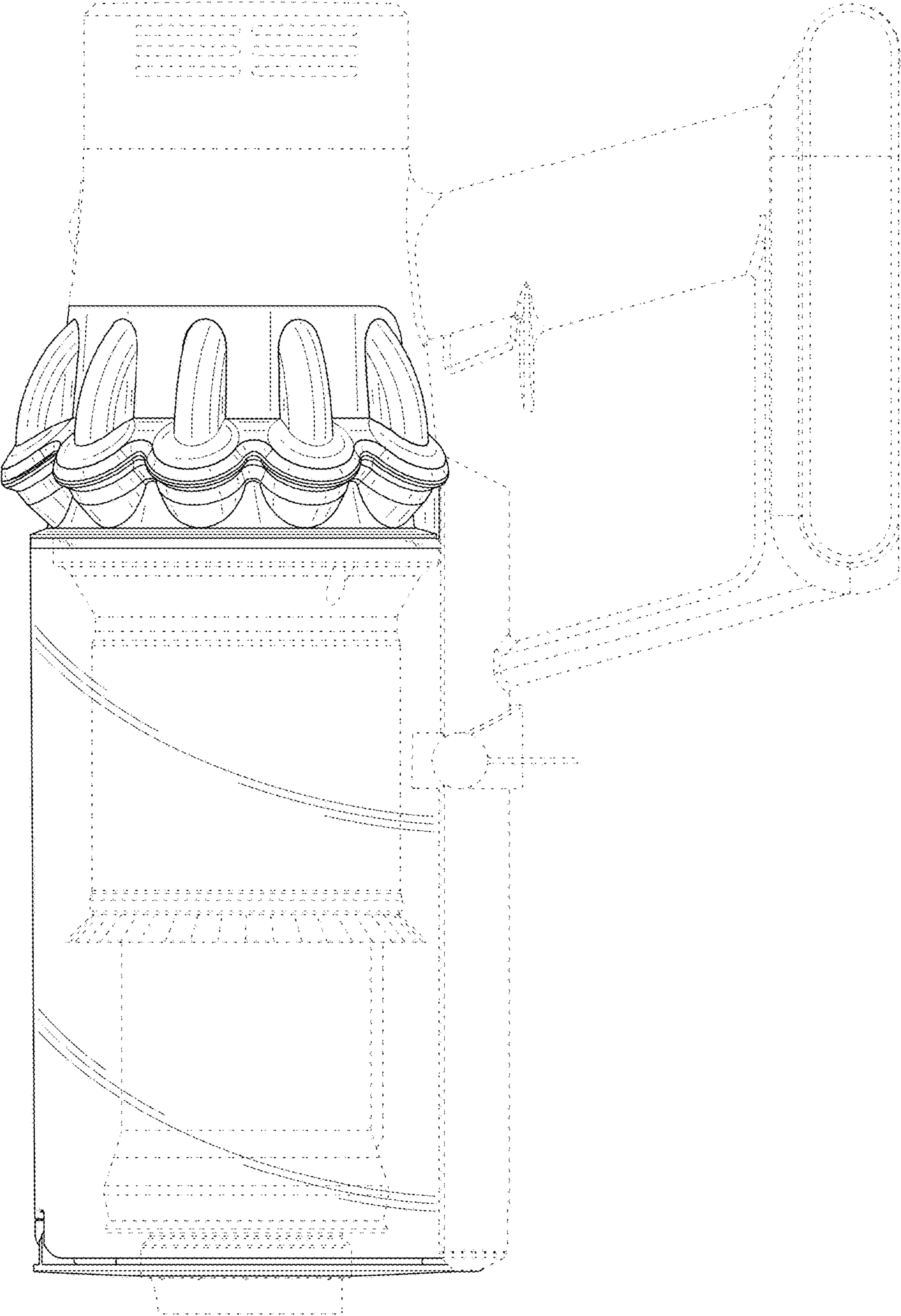


FIG. 2

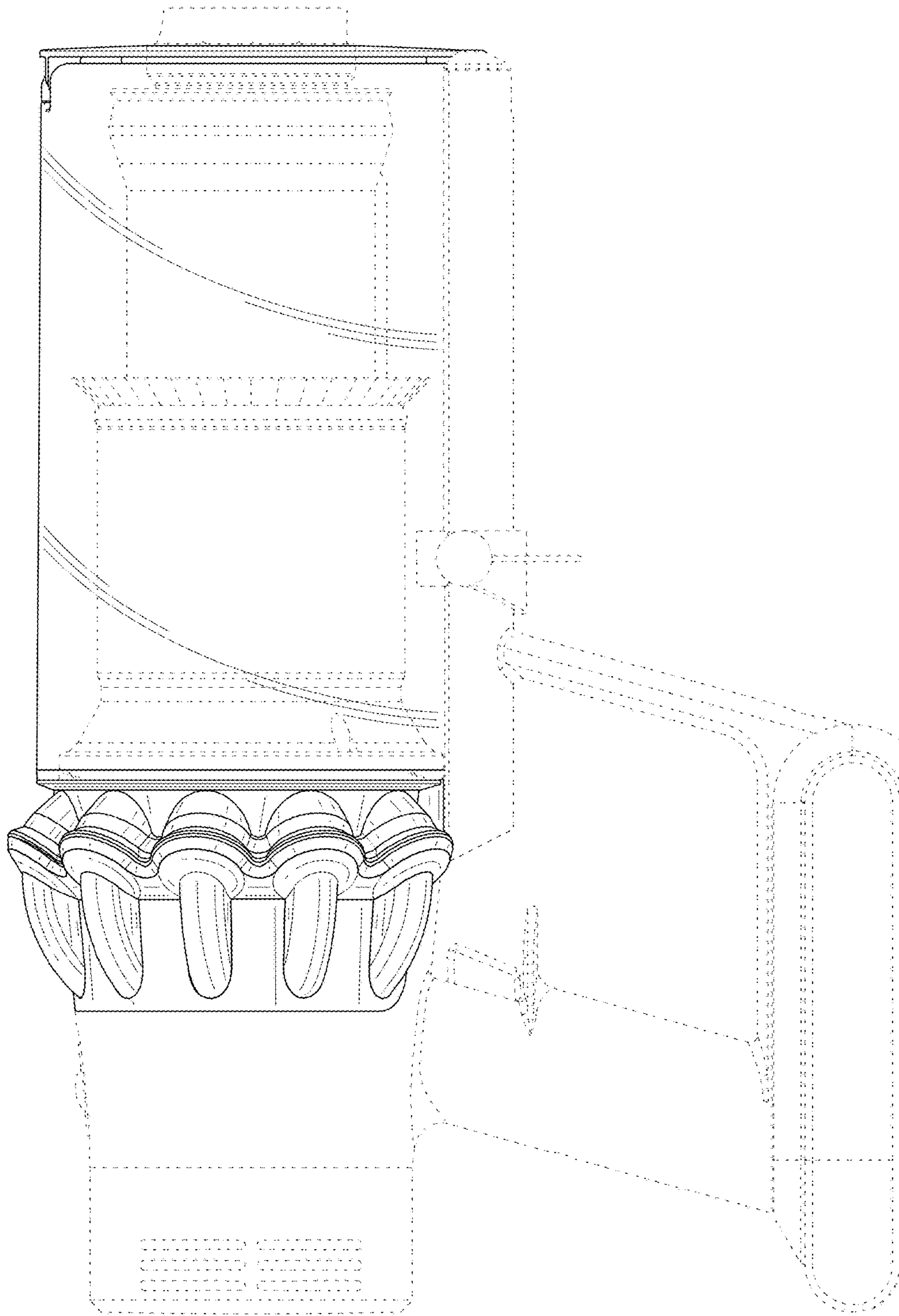


FIG. 3

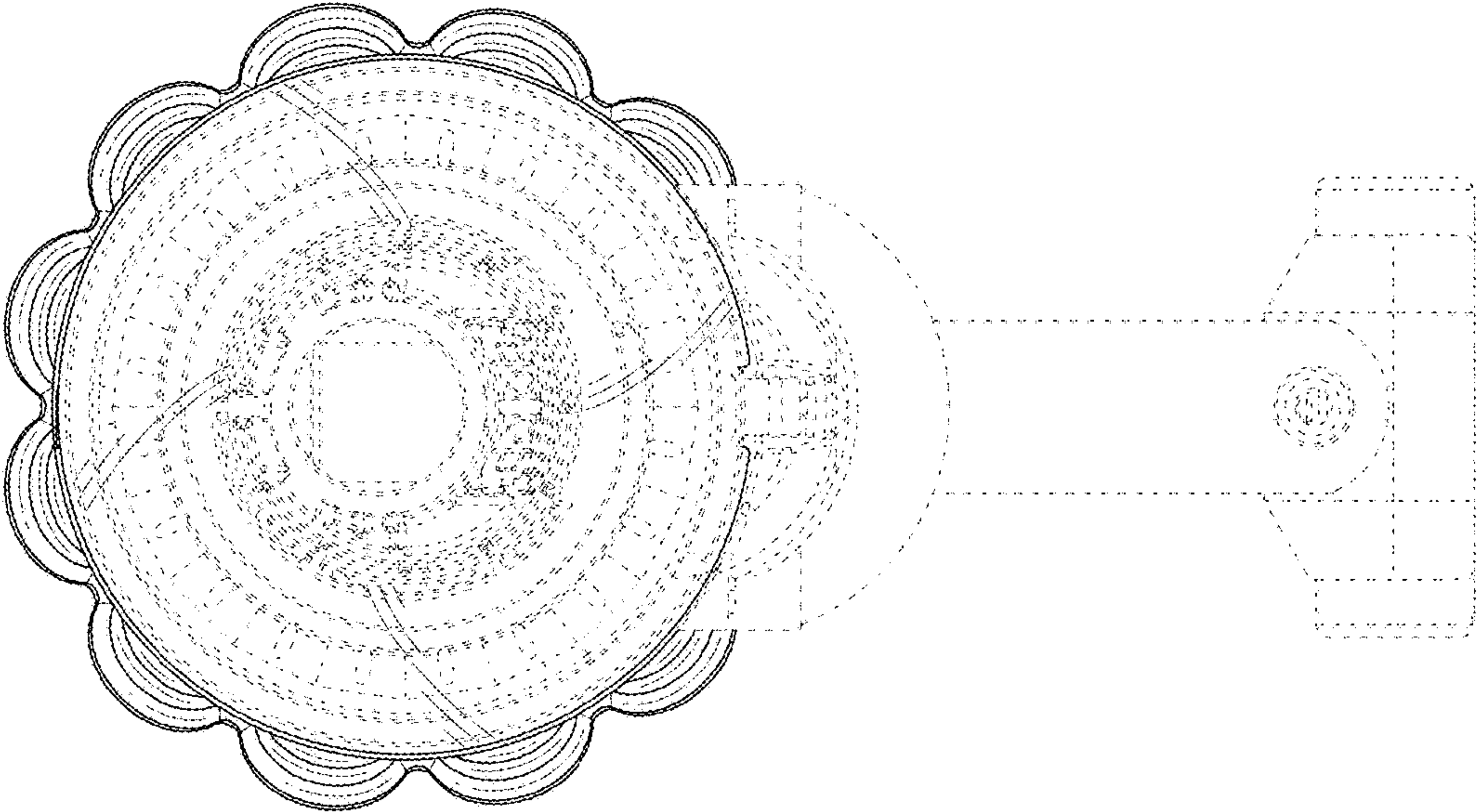


FIG. 4

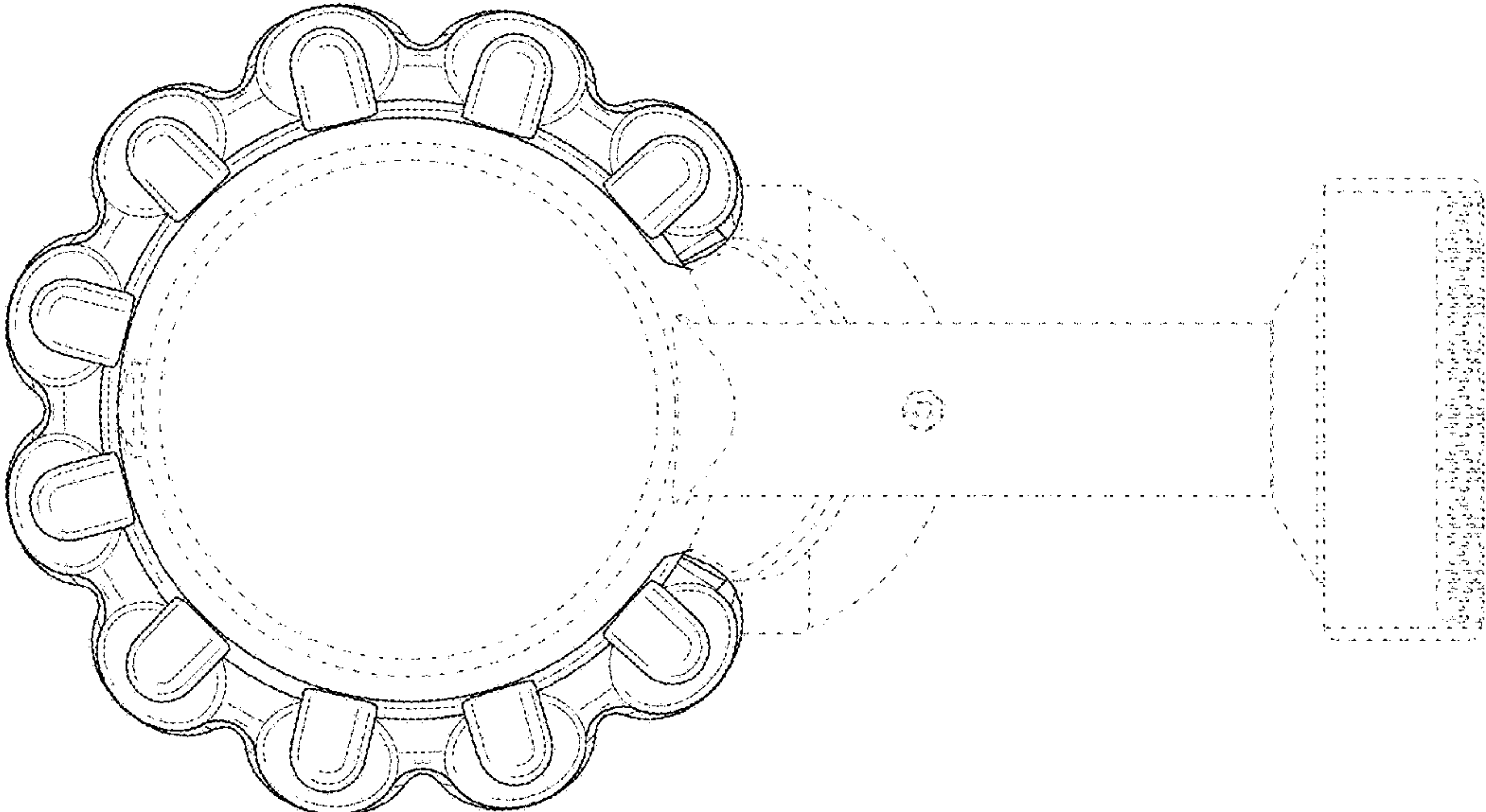


FIG. 5

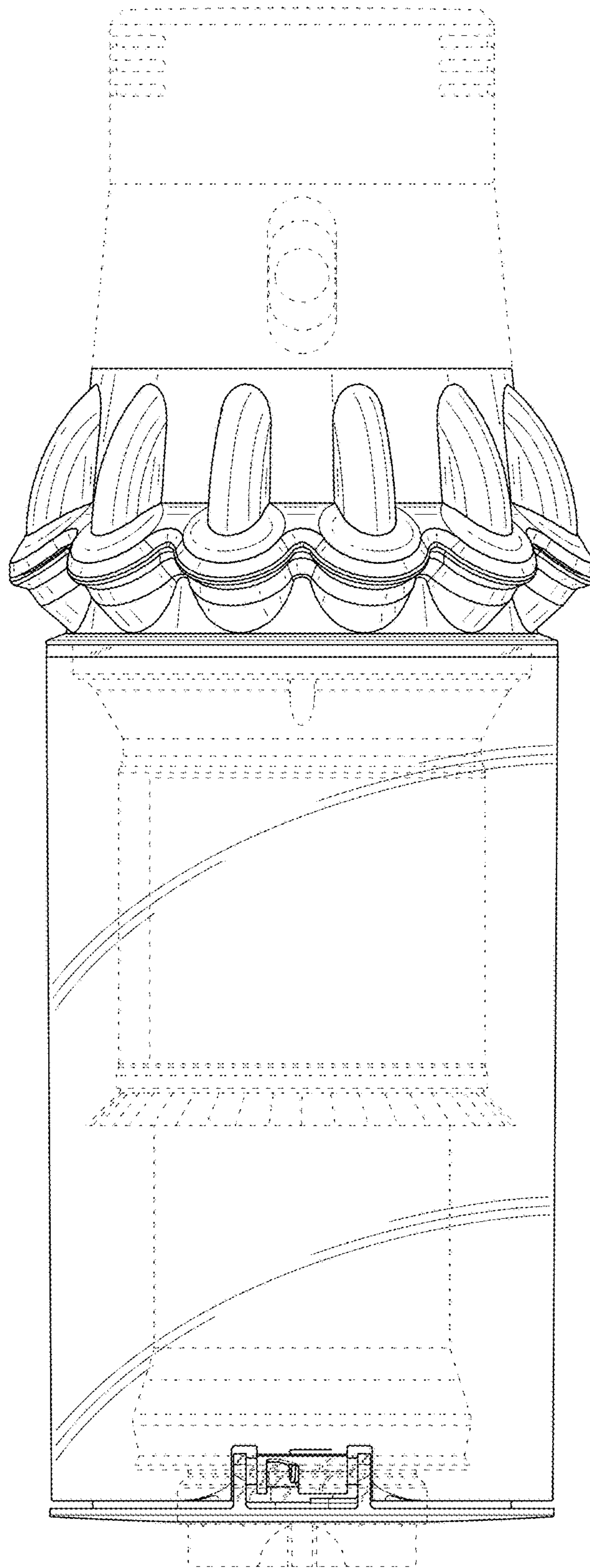


FIG. 6



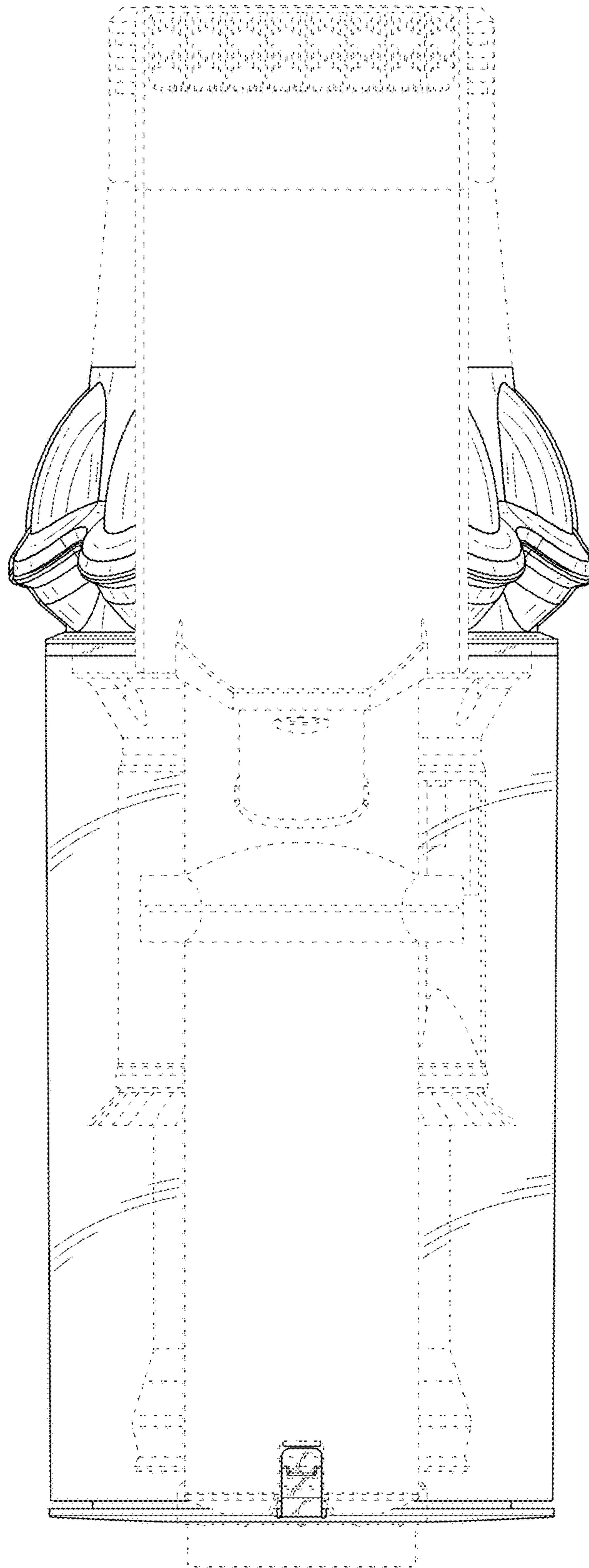


FIG. 7