

US00D855908S

(12) **United States Design Patent** (10) **Patent No.:** **US D855,908 S**
Tu (45) **Date of Patent:** **** Aug. 6, 2019**

(54) **VACUUM CLEANER**

(71) Applicant: **Wucai Tu**, Jiangxi (CN)

(72) Inventor: **Wucai Tu**, Jiangxi (CN)

(**) Term: **15 Years**

(21) Appl. No.: **29/589,525**

(22) Filed: **Jan. 2, 2017**

(51) **LOC (12) Cl.** **15-05**

(52) **U.S. Cl.**
USPC **D32/18**

(58) **Field of Classification Search**

USPC D32/17, 18, 22, 31
CPC ... A47L 5/24; A47L 5/362; A47L 5/36; A47L
5/28; A47L 9/102; A47L 9/1683; B01D
50/002

See application file for complete search history.

(56) **References Cited**

U.S. PATENT DOCUMENTS

D437,983 S *	2/2001	Stratford	D32/18
D440,719 S *	4/2001	Stratford	D32/18
D440,720 S *	4/2001	Stratford	D32/18
D441,151 S *	4/2001	Stratford	D32/18

D441,152 S *	4/2001	Stratford	D32/18
D441,926 S *	5/2001	Stratford	D32/18
D515,258 S *	2/2006	Robson	D32/18
D564,151 S *	3/2008	Fjellman	D32/18
D564,153 S *	3/2008	Fjellman	D32/18
D565,811 S *	4/2008	Fjellman	D32/18
D565,812 S *	4/2008	Fjellman	D32/18
D720,102 S *	12/2014	Gu	D32/18

* cited by examiner

Primary Examiner — Ruth McInroy

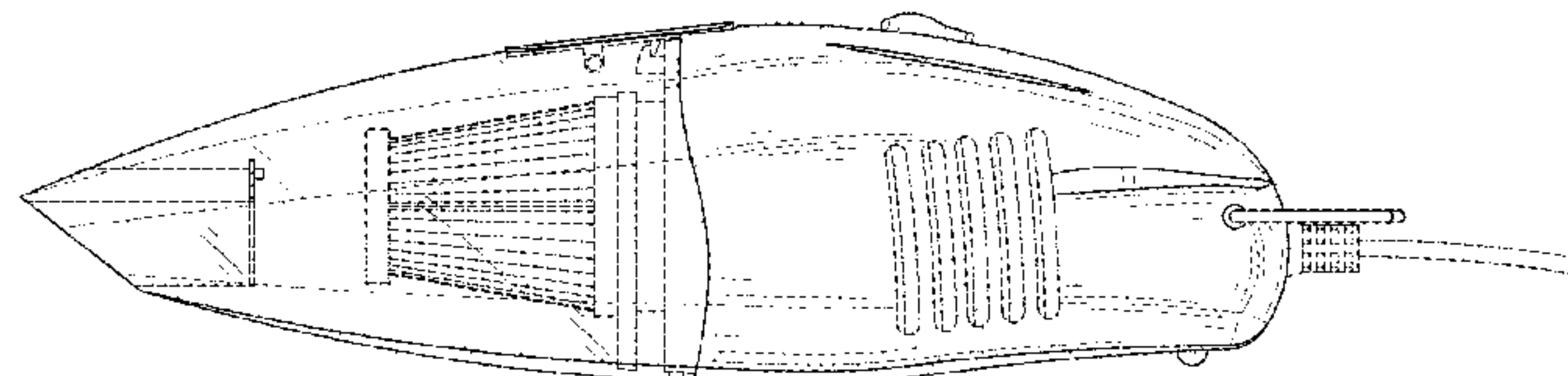
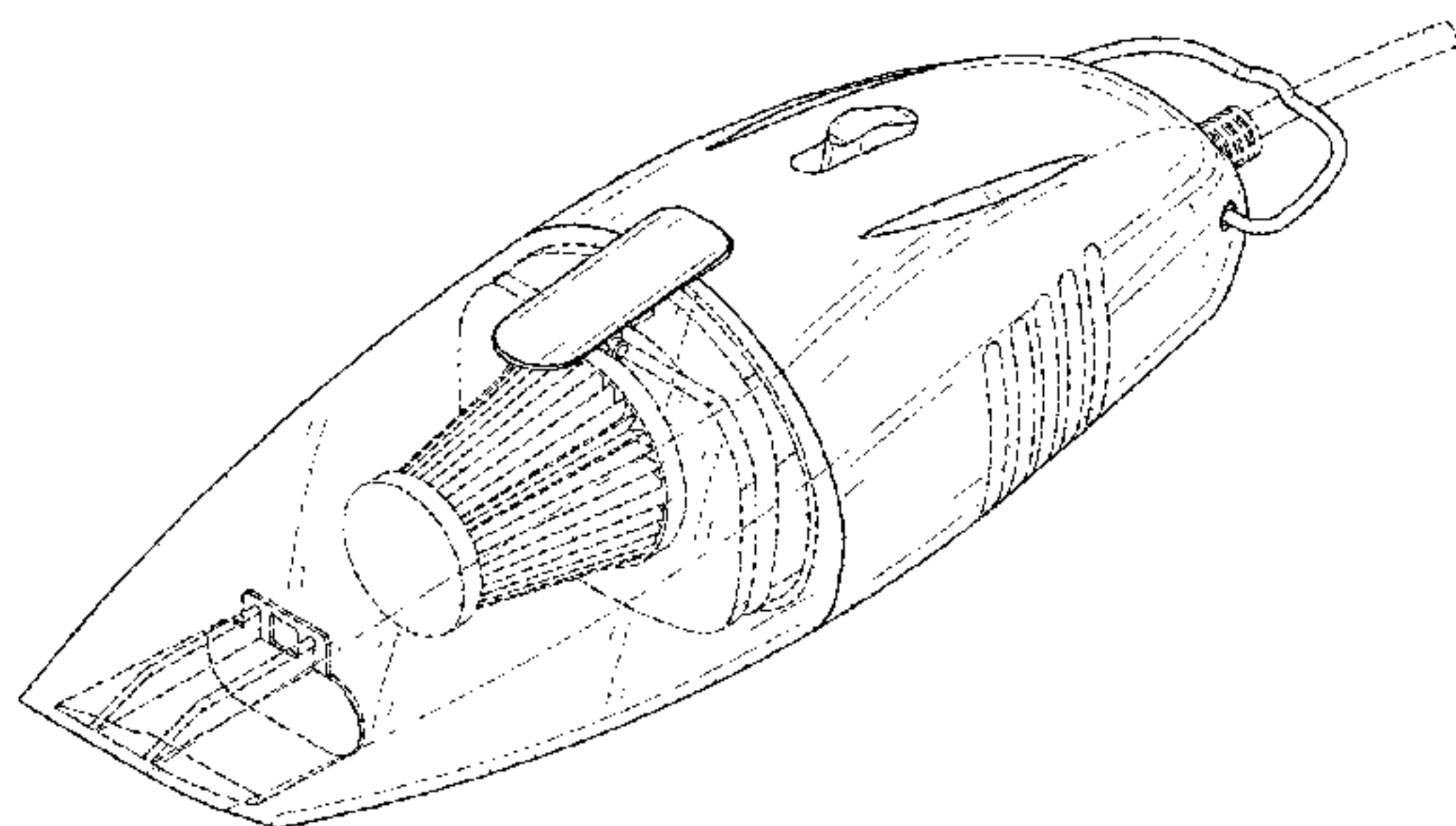
(57) **CLAIM**

The ornamental design for a vacuum cleaner, as shown and described.

DESCRIPTION

FIG. 1 is a perspective view of a vacuum cleaner showing my new design;
FIG. 2 is a front elevational view thereof;
FIG. 3 is a rear elevational view thereof;
FIG. 4 is a left side view thereof;
FIG. 5 is a right side view thereof;
FIG. 6 is a top plan view thereof; and,
FIG. 7 is a bottom plan view thereof.
The broken lines in the drawings illustrate portions of the vacuum cleaner which form no part of the claimed design. The diagonal lines indicate transparency.

1 Claim, 7 Drawing Sheets



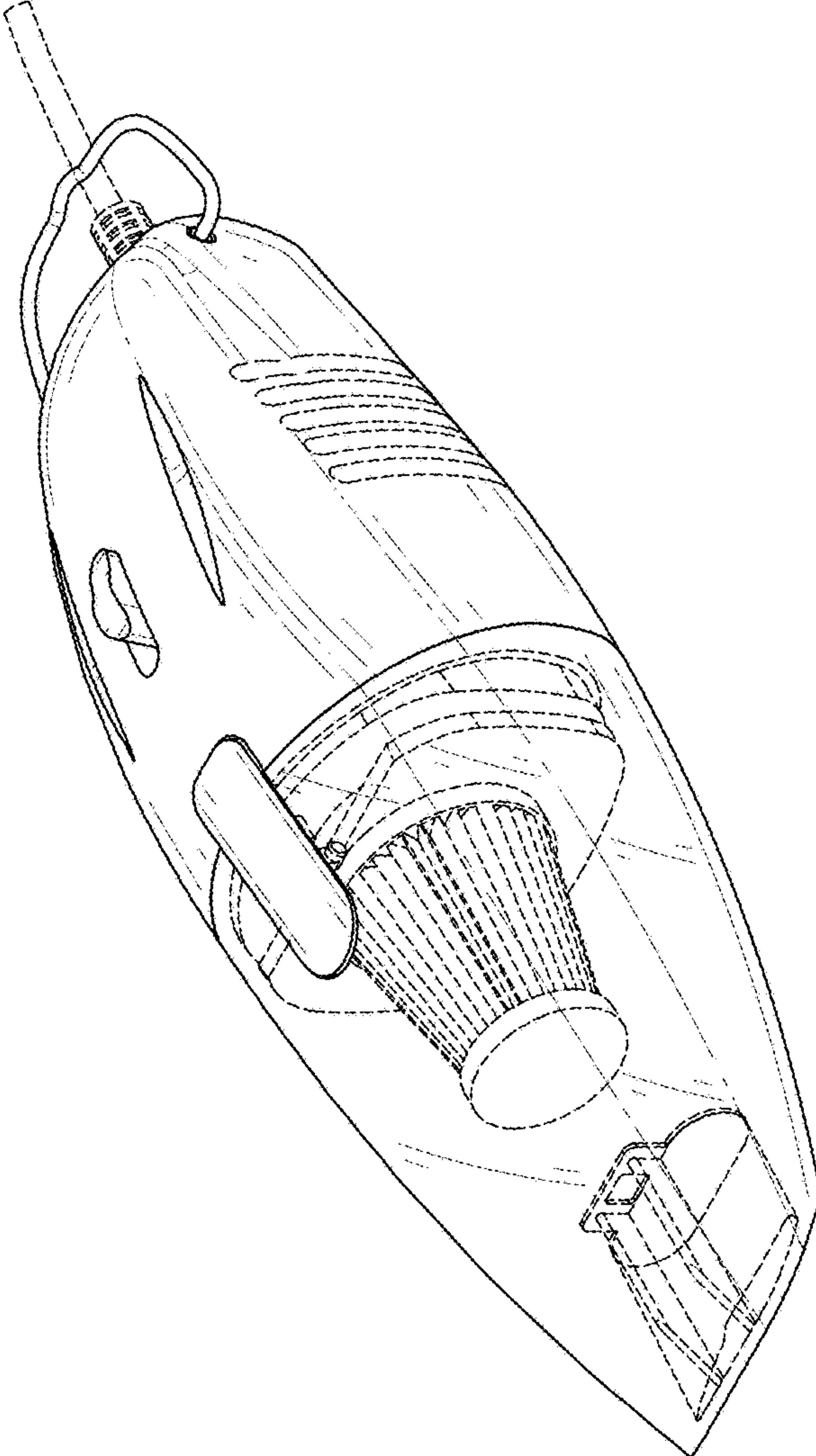


FIG. 1

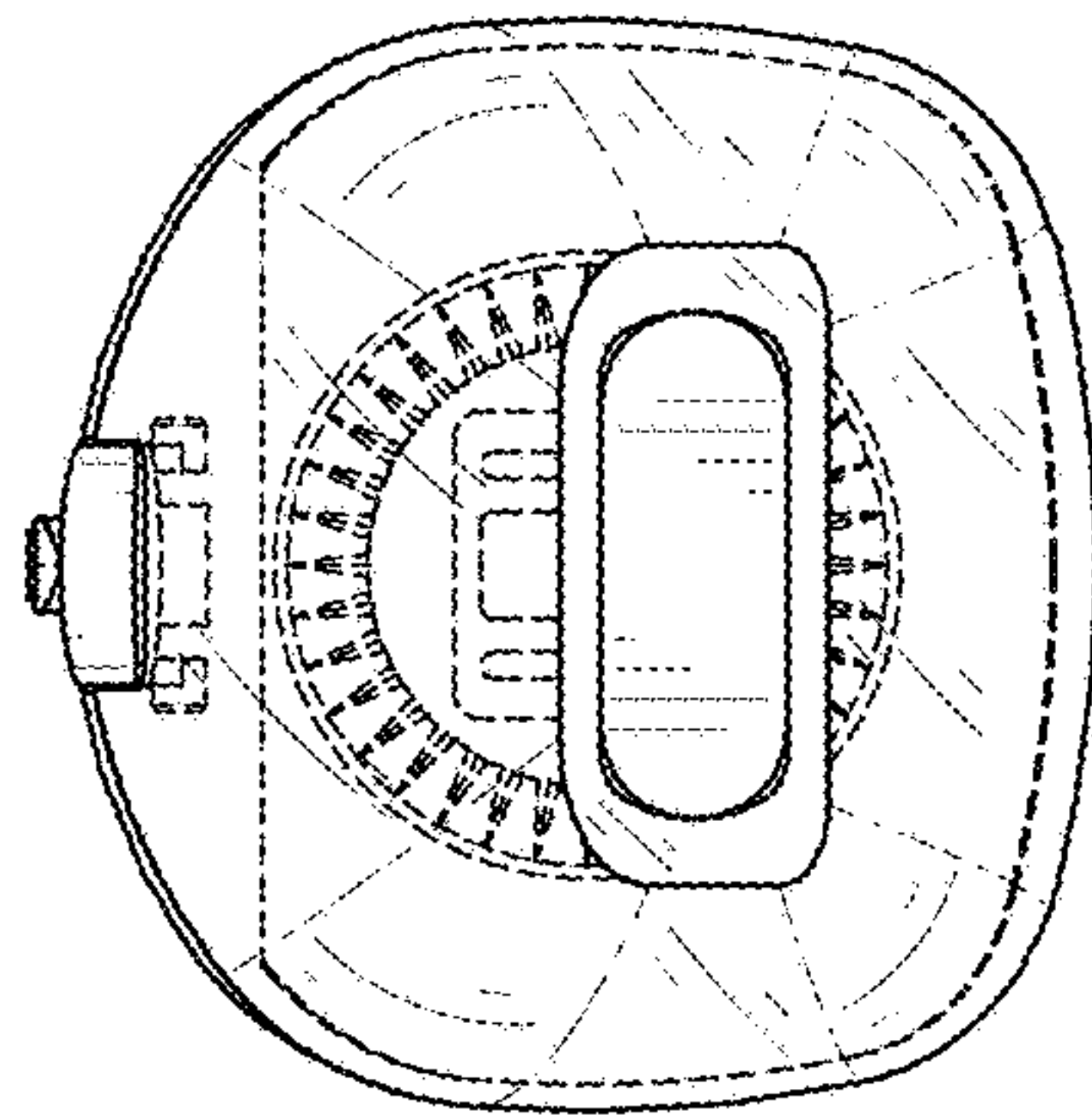


FIG. 2

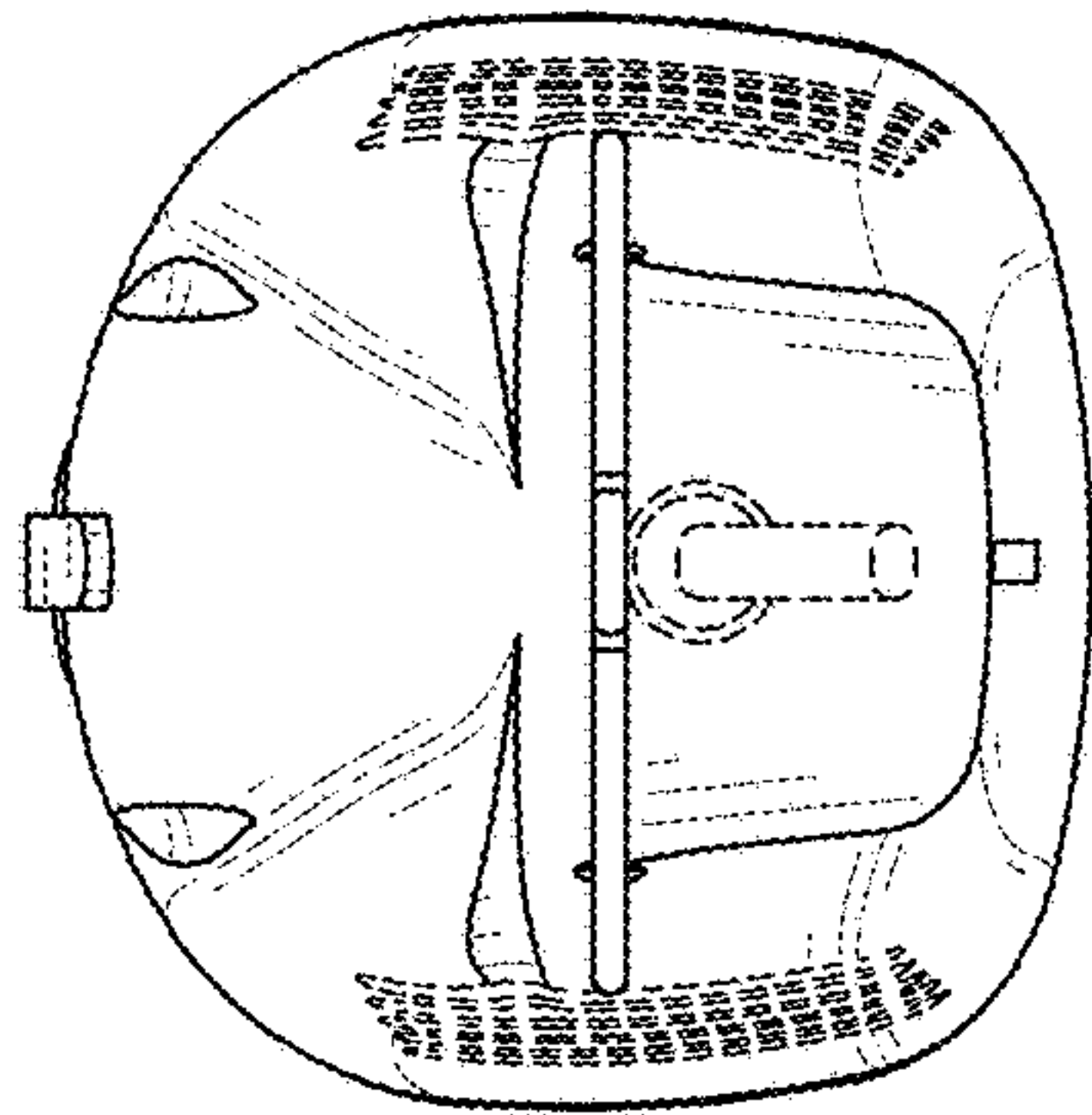


FIG. 3

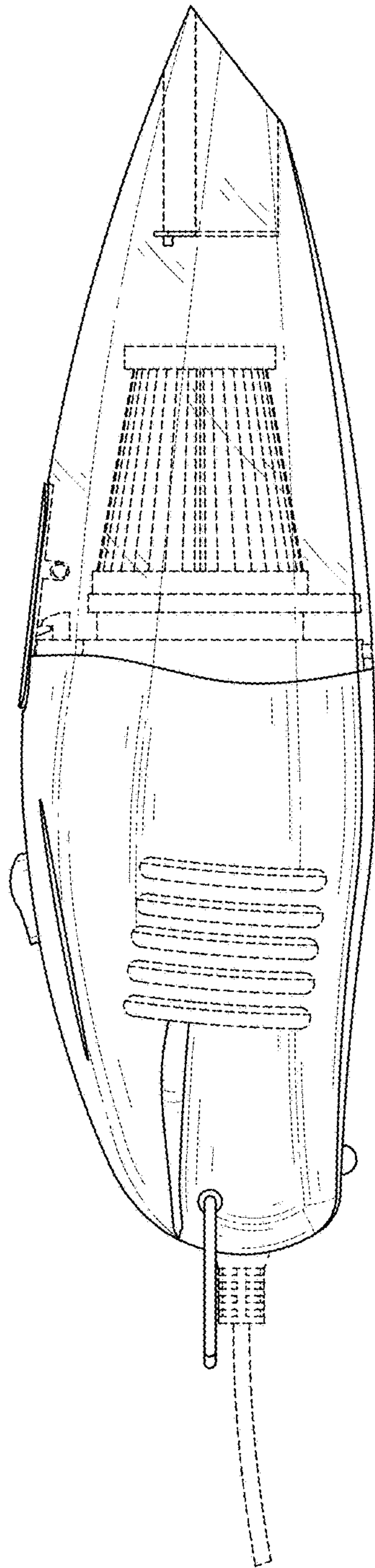


FIG. 4

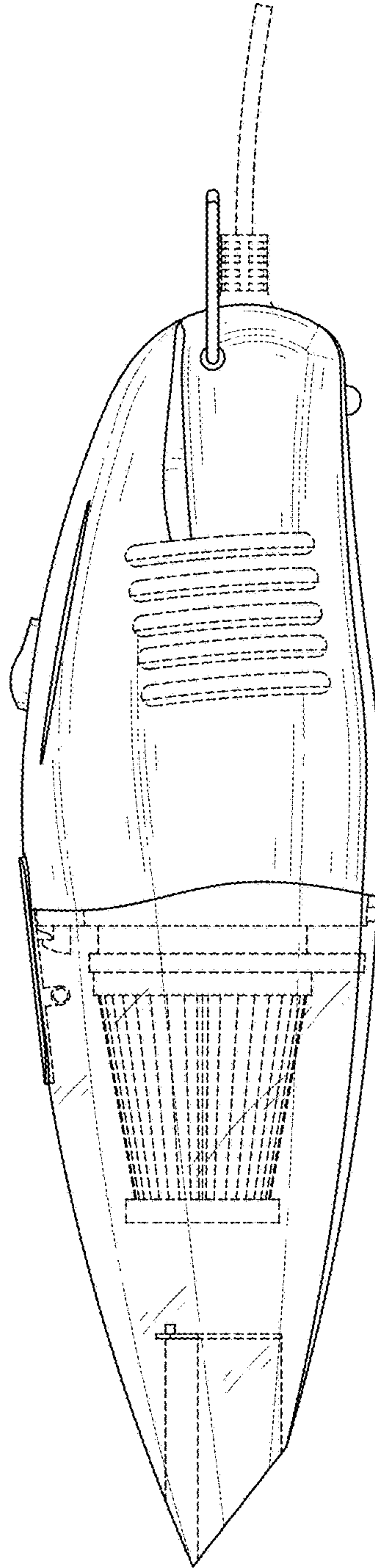


FIG. 5

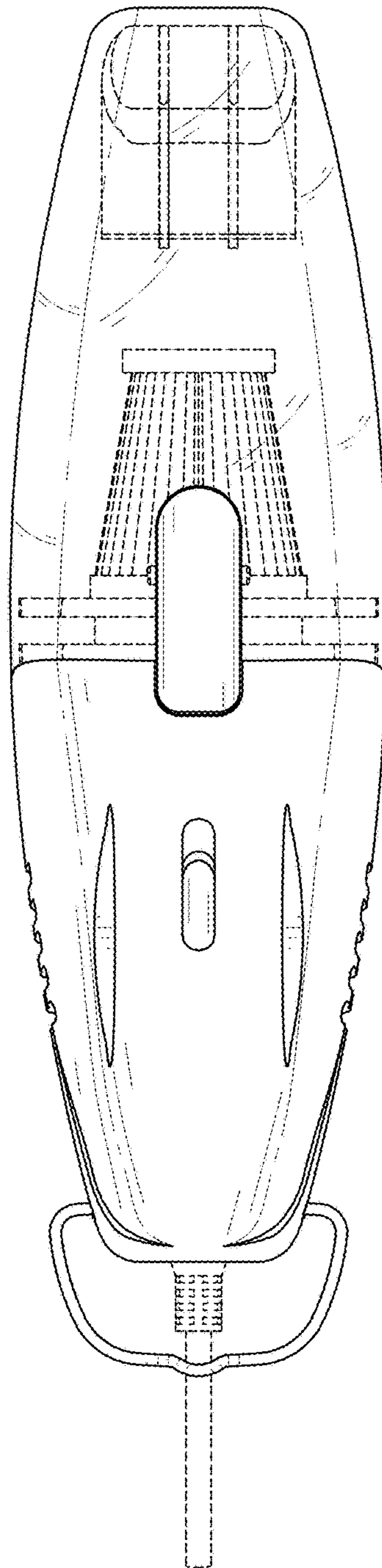


FIG. 6

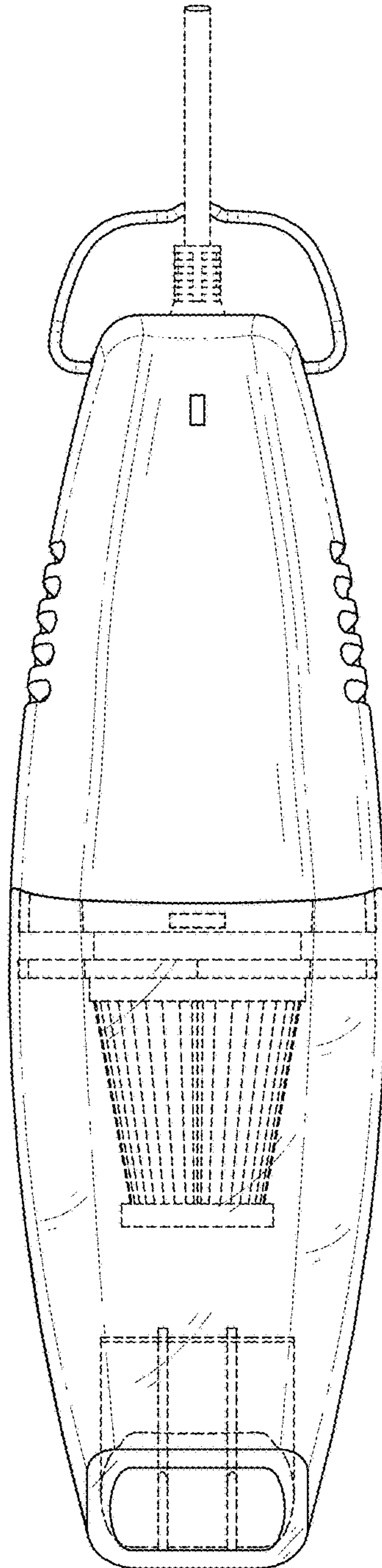


FIG. 7