



US00D855907S

(12) **United States Design Patent** (10) **Patent No.:** **US D855,907 S**  
**van de Ven** (45) **Date of Patent:** **\*\* Aug. 6, 2019**

(54) **FLOOR CLEANING MACHINE**

(57) **CLAIM**

(71) Applicant: **FUTURE CLEANING TECHNOLOGIES B.V.**, Eindhoven (NL)

The ornamental design for a floor cleaning machine, as shown and described.

(72) Inventor: **Frank Peter William van de Ven**, Eindhoven (NL)

**DESCRIPTION**

(73) Assignee: **FUTURE CLEANING TECHNOLOGIES B.V.**, DD Eindhoven (NL)

Figure 1.1 is a perspective view of a first embodiment of a floor cleaning machine according to the principles of the present invention:

(\*\*) Term: **15 Years**

Figure 2.1 is a front elevational view of the floor cleaning machine shown in Figure 1.1;

(21) Appl. No.: **35/504,451**

Figure 3.1 is a rear elevational view of the floor cleaning machine shown in Figure 1.1;

(22) Filed: **Jan. 5, 2018**

Figure 4.1 is a right side elevational view of the floor cleaning machine shown in Figure 1.1;

(80) **Hague Agreement Data**

Figure 5.1 is a perspective view of a second embodiment of a floor cleaning machine according to the principles of the present invention:

Int. Filing Date: **Jan. 5, 2018**

Figure 6.1 is a front elevational view of the floor cleaning machine shown in Figure 5.1:

Int. Reg. No.: **DM/099539**

Figure 7.1 is a rear elevational view of the floor cleaning machine shown in Figure 5.1:

Int. Reg. Date: **Jan. 5, 2018**

Figure 8.1 is a right side elevational view of the floor cleaning machine shown in Figure 5.1;

Int. Reg. Pub. Date: **Feb. 16, 2018**

Figure 9.1 is a perspective view of a third embodiment of a floor cleaning machine according to the principles of the present invention;

(51) **LOC (12) Cl.** ..... **12-02**

(52) **U.S. Cl.**  
USPC ..... **D32/15**

Figure 10.1 is a front elevational view of the floor cleaning machine shown in Figure 9.1;

(58) **Field of Classification Search**  
USPC ..... **D32/15, 20, 22, 25, 31, 34, 38, 50, 51;**  
**D15/199**

Figure 11.1 is a rear elevational view of the floor cleaning machine shown in Figure 9.1;

(Continued)

Figure 12.1 is a right side elevational view of the floor cleaning machine shown in Figure 9.1;

(56) **References Cited**

**U.S. PATENT DOCUMENTS**

Figure 13.1 is a perspective view of a fourth embodiment of a floor cleaning machine according to the principles of the present invention;

D219,234 S \* 11/1970 Schucker ..... D32/15  
D219,348 S \* 12/1970 Anderson ..... D32/15

Figure 14.1 is a front elevational view of the floor cleaning machine shown in Figure 13.1;

(Continued)

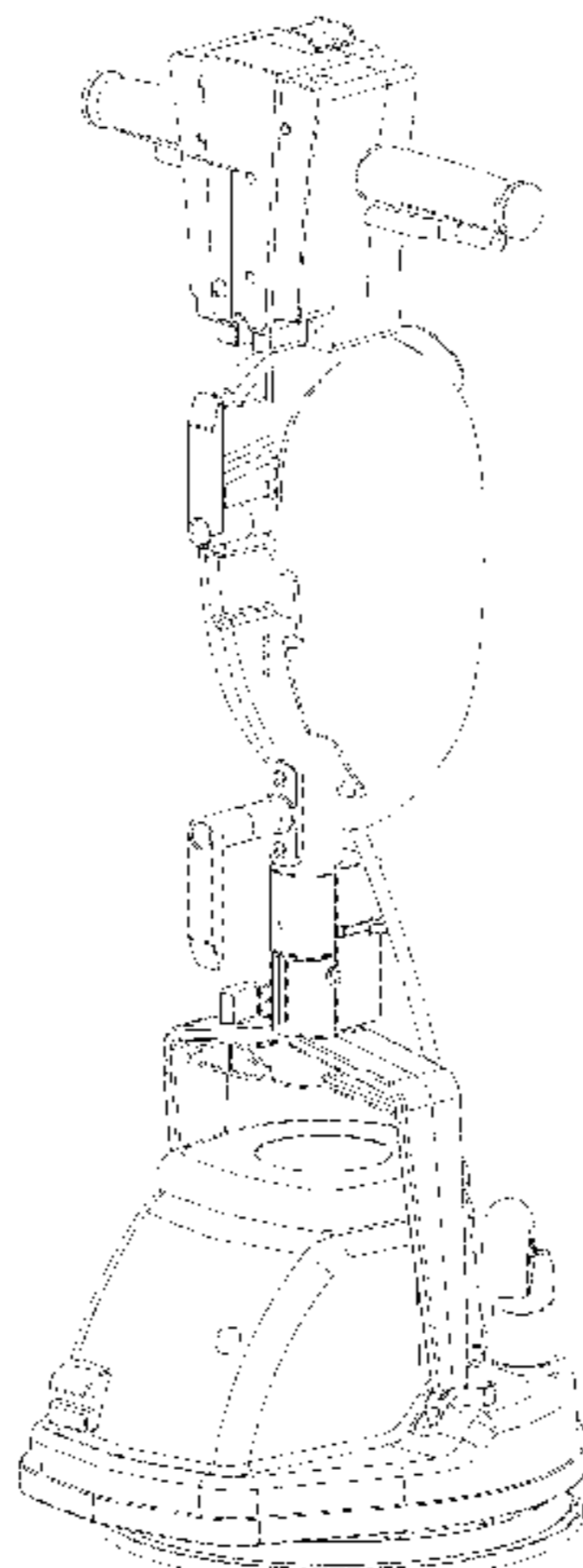
Figure 15.1 is a rear elevational view of the floor cleaning machine shown in Figure 13.1; and

*Primary Examiner* — Khawaja Anwar

Figure 16.1 is a right side elevational view of the floor cleaning machine shown in Figure 13.1.

(74) *Attorney, Agent, or Firm* — Merchant & Gould P.C.

**1 Claim, 16 Drawing Sheets**



(58) **Field of Classification Search**

CPC ..... A47L 9/2857; A47L 9/02; A47L 13/146;  
A47L 13/12; A47L 13/20

See application file for complete search history.

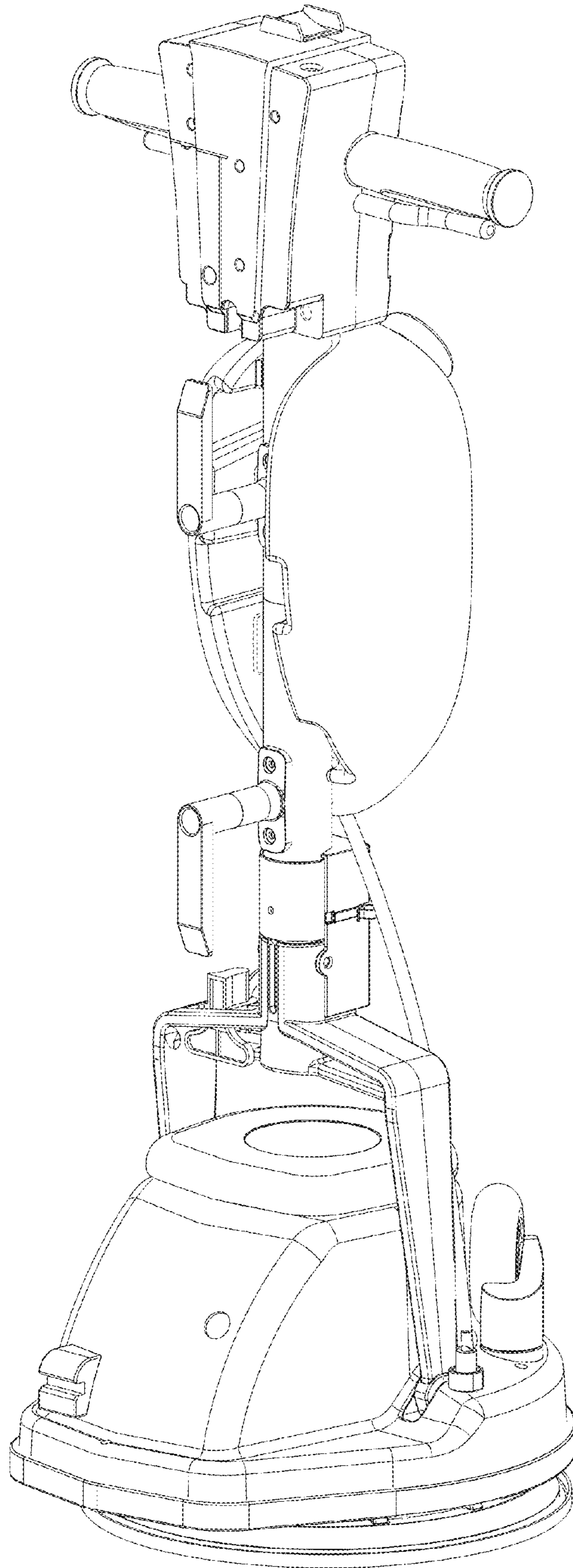
(56) **References Cited**

U.S. PATENT DOCUMENTS

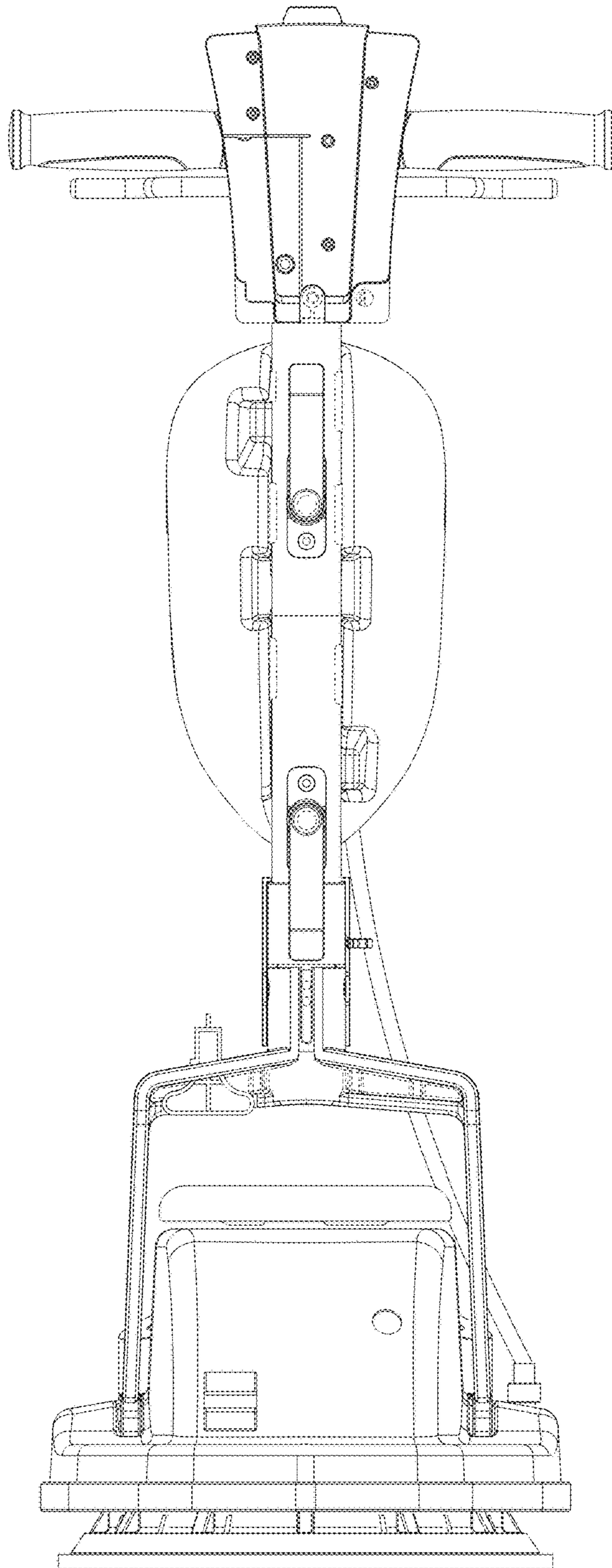
D345,830 S *	4/1994	Furcron .....	D32/22
D346,247 S *	4/1994	Furcron .....	D32/22
D490,948 S *	6/2004	Cattaneo .....	D32/15
D570,060 S *	5/2008	Renner .....	D32/15
D653,414 S *	1/2012	Genoa .....	D32/38
D739,100 S *	9/2015	Tatic .....	D32/15
D761,505 S *	7/2016	Tyler .....	D32/15
D831,908 S *	10/2018	Tyler .....	D32/15

\* cited by examiner

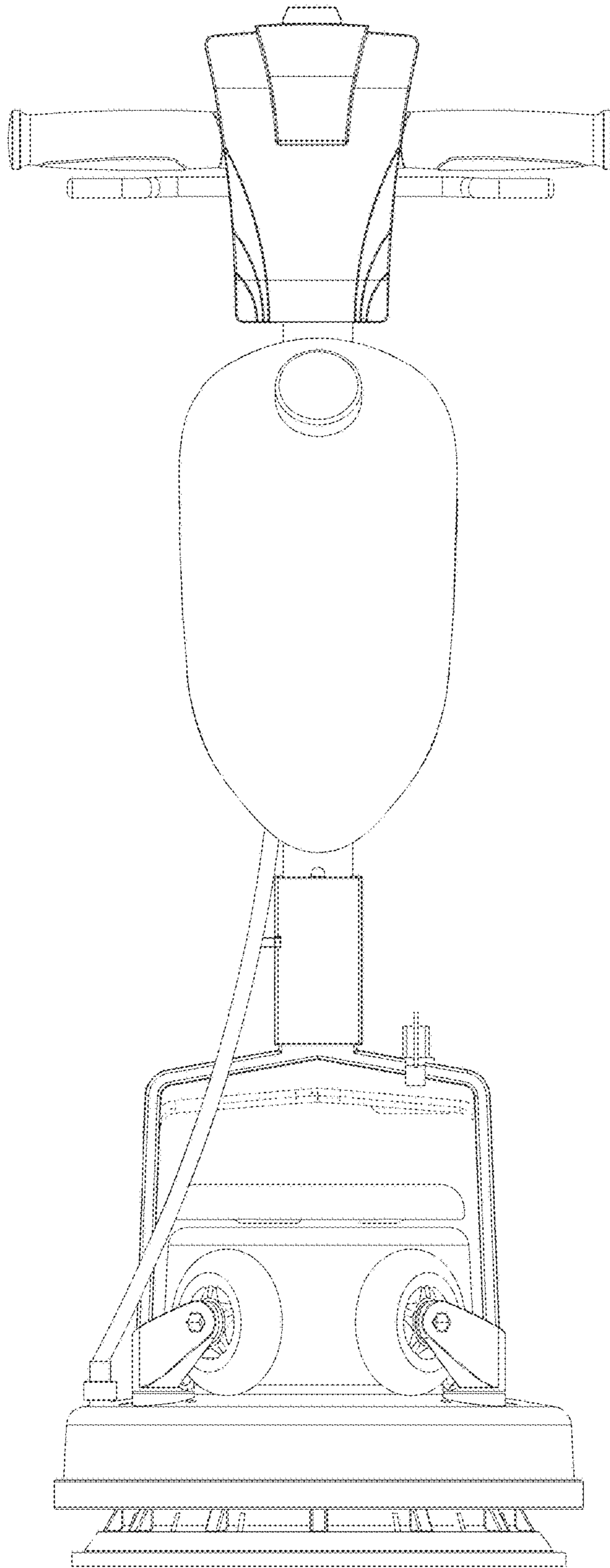
1.1



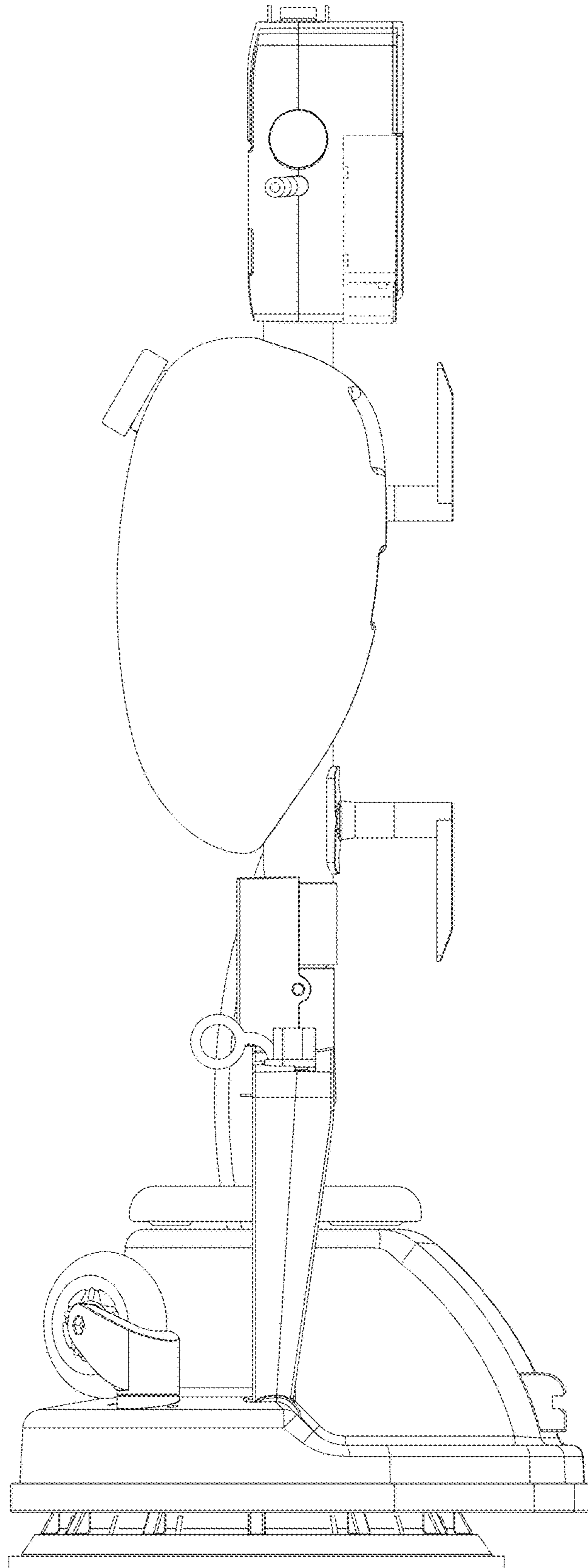
2.1



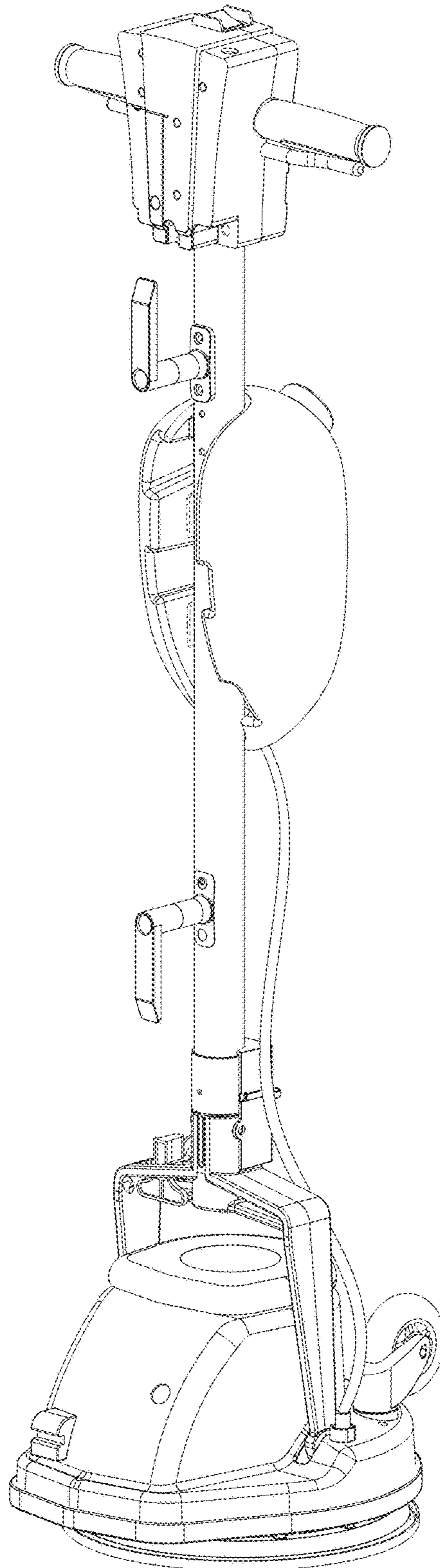
3.1



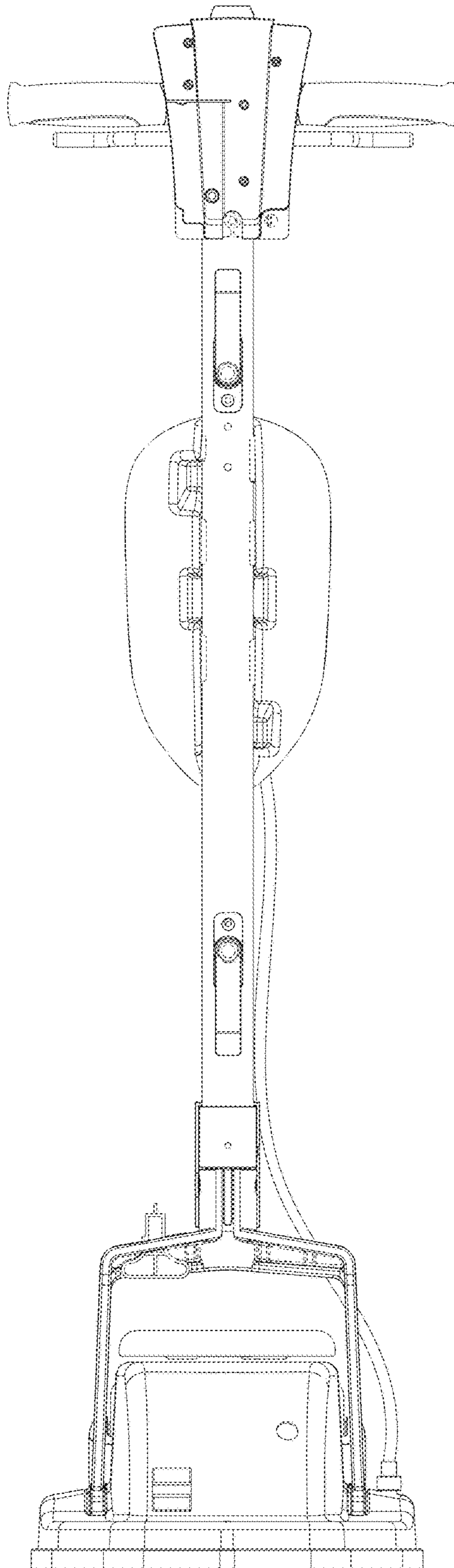
4.1



5.1

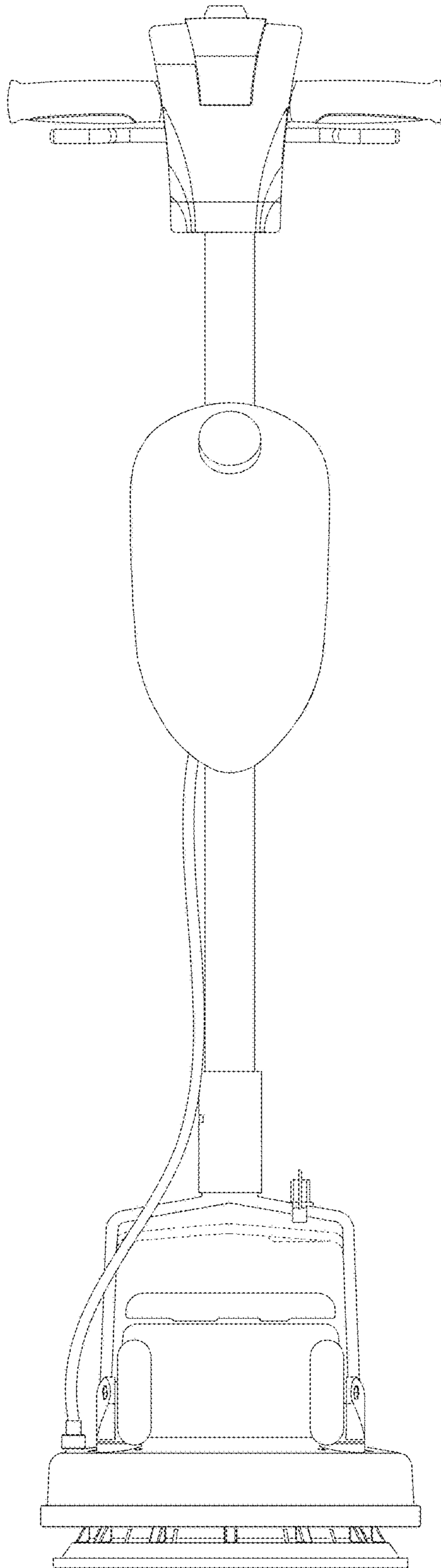


6.1

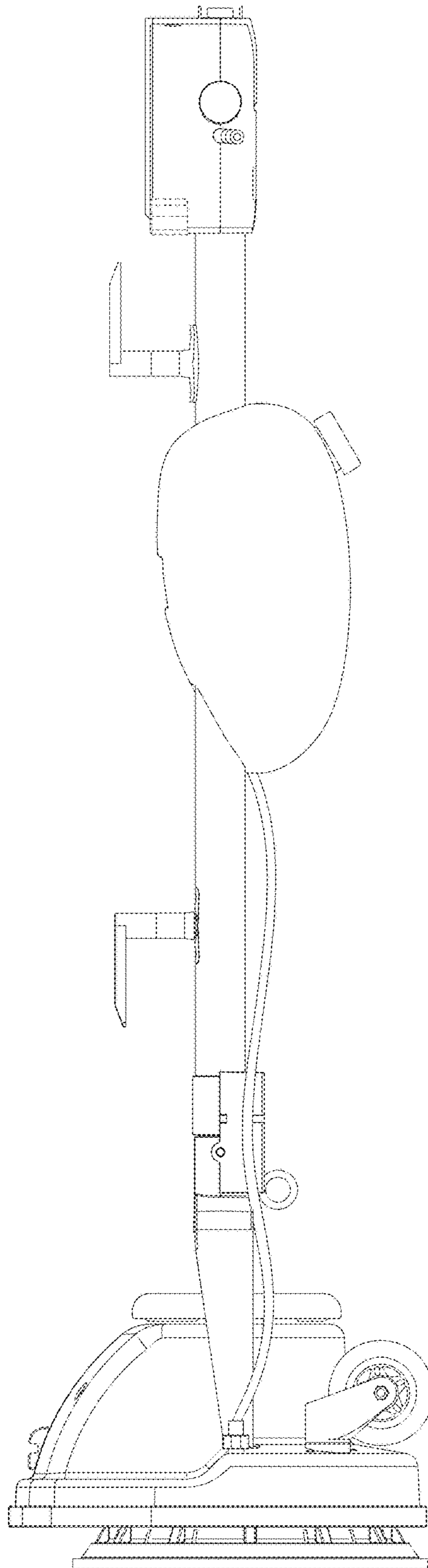




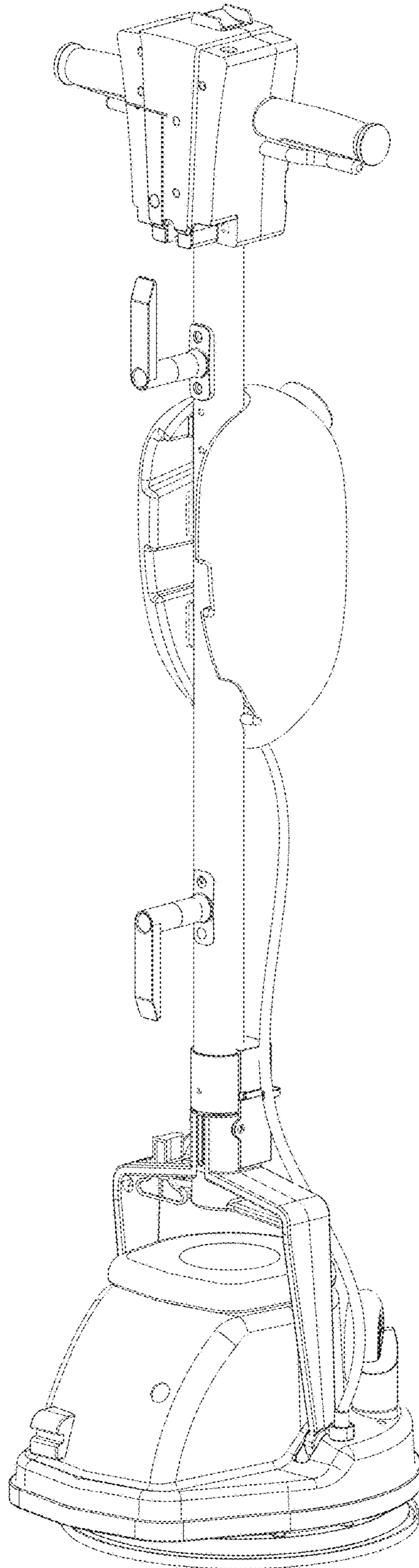
7.1



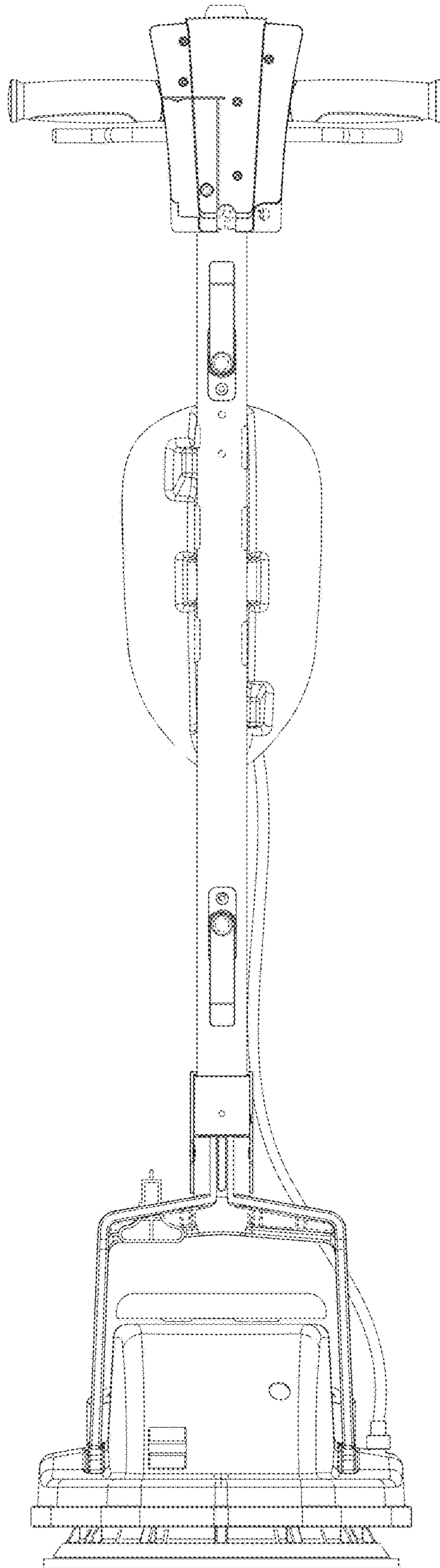
8.1



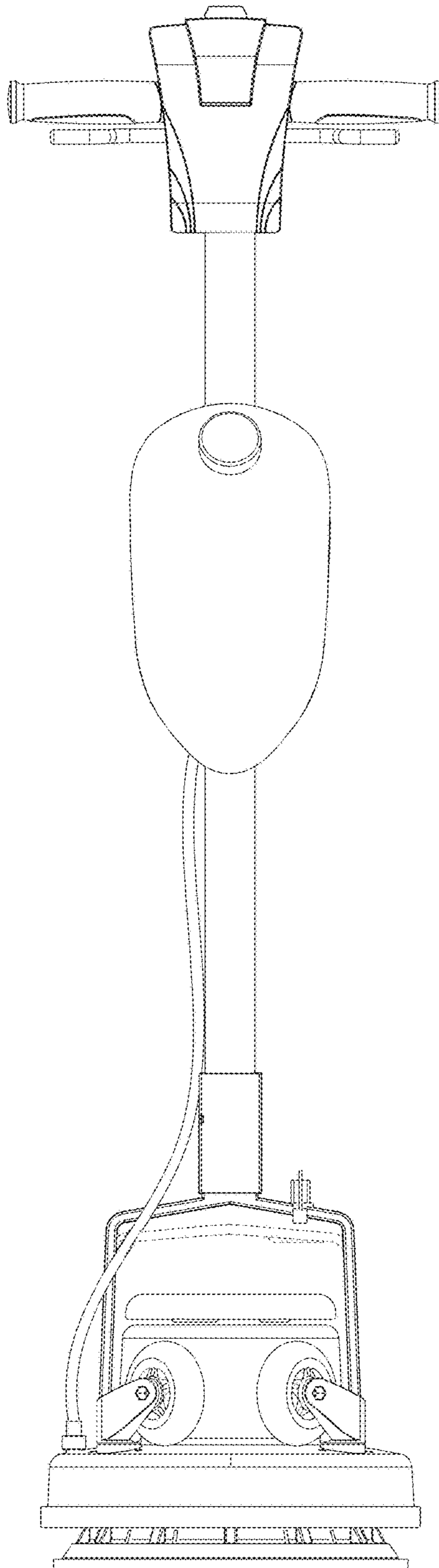
9.1



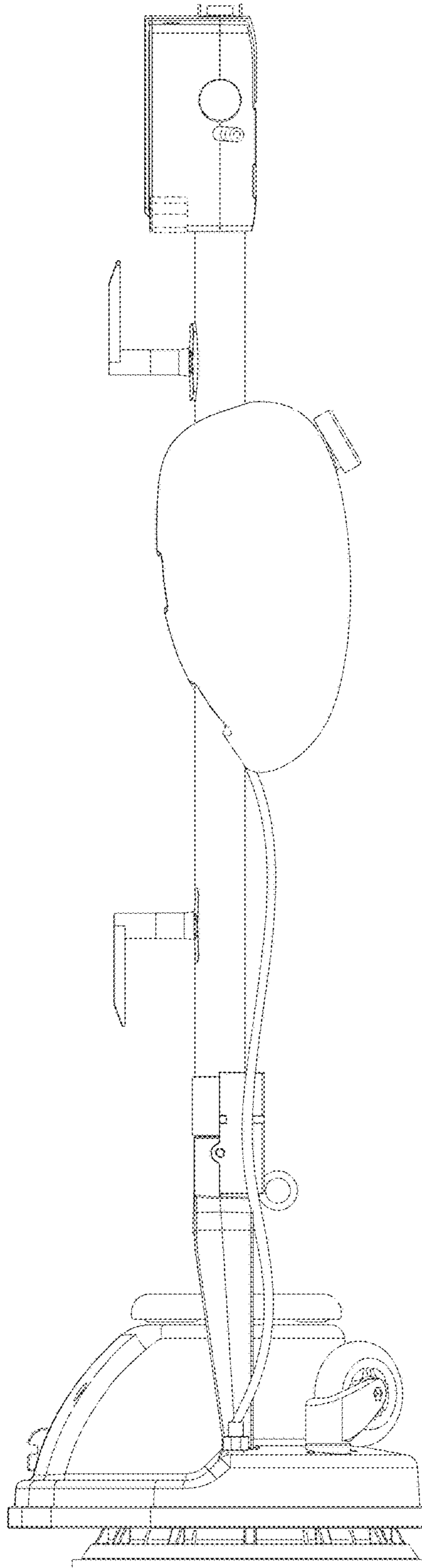
10.1



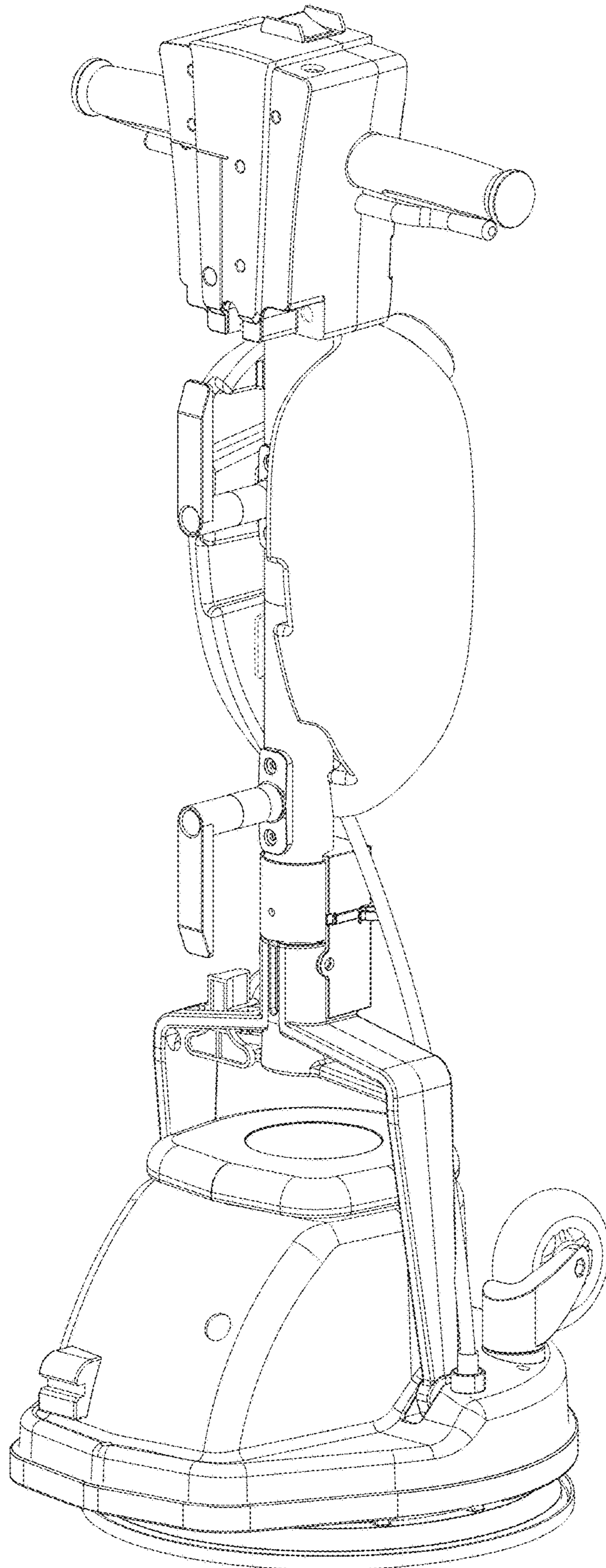
11.1



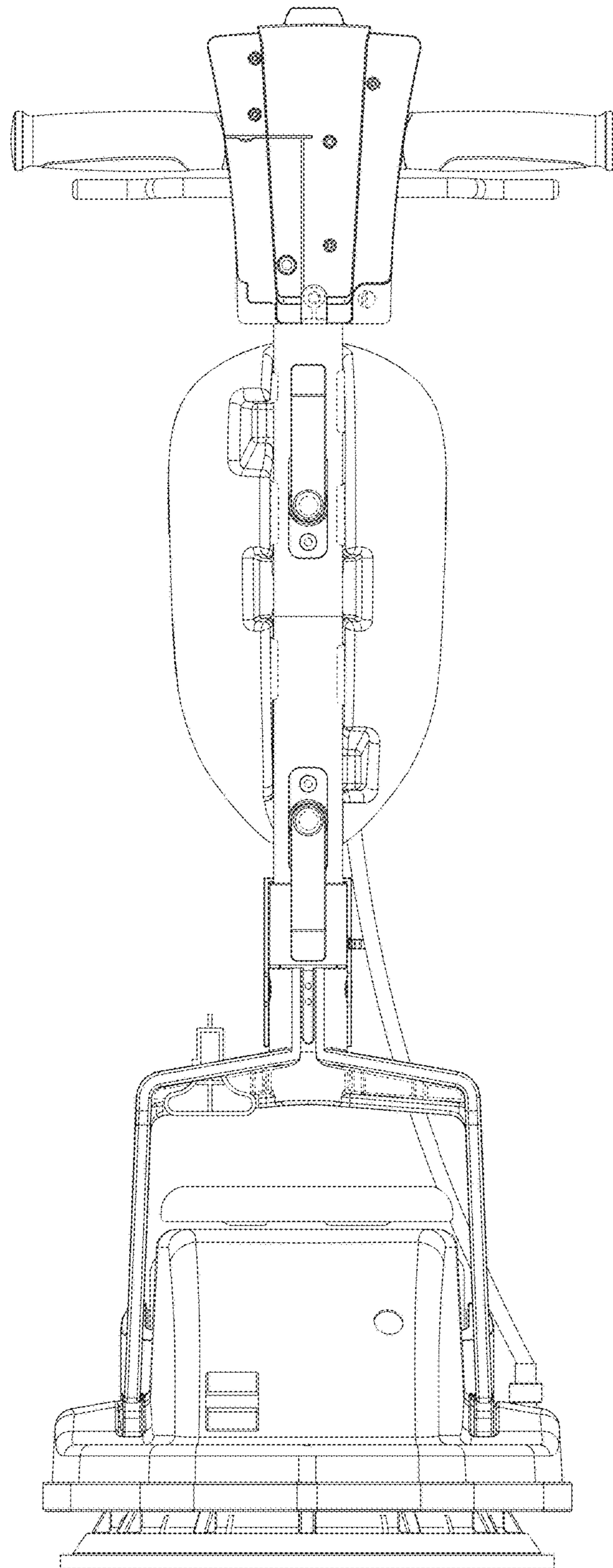
12.1



13.1

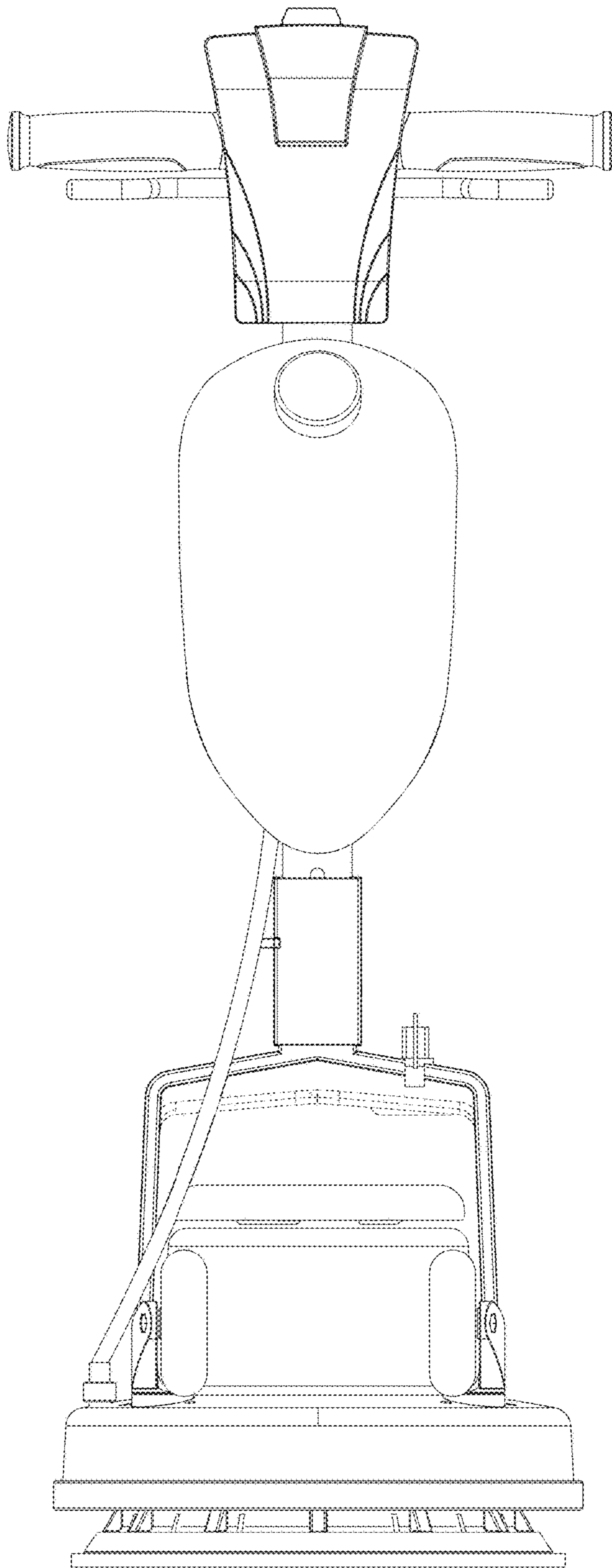


14.1





15.1



16.1

