



US00D855906S

(12) **United States Design Patent**
Han

(10) **Patent No.:** **US D855,906 S**

(45) **Date of Patent:** **** Aug. 6, 2019**

(54) **DISHWASHER BASKET**

(71) Applicant: **BARENTHAL NORTH AMERICA, INC.**, Whippany, NJ (US)

(72) Inventor: **Hongyuan Han**, New Vernon, NJ (US)

(73) Assignee: **BARENTHAL NORTH AMERICA, INC.**, Whippany, NJ (US)

(**) Term: **15 Years**

(21) Appl. No.: **29/627,898**

(22) Filed: **Nov. 30, 2017**

(51) **LOC (12) Cl.** **15-05**

(52) **U.S. Cl.**
USPC **D32/3**

(58) **Field of Classification Search**
USPC D32/3, 55, 58, 276; D23/260, 261;
D6/510, 525; D30/133; 211/41.4, 41.5,
211/41.8; 361/679.4; 312/311, 333,
312/334.4; D7/629
CPC A47L 15/505; A47L 19/00; A47L 19/02;
A47L 19/04; A47J 47/16; A47J 47/20
See application file for complete search history.

(56) **References Cited**

U.S. PATENT DOCUMENTS

D165,610 S *	1/1952	Samberg	D32/55
D254,187 S *	2/1980	Freese	D32/3
6,918,508 B2 *	7/2005	Hwang	B65D 21/022
				16/266
8,087,519 B2 *	1/2012	Bramley	A47L 15/505
				211/41.3
8,163,103 B2 *	4/2012	Shin	A47L 15/502
				134/56 D
D703,882 S	4/2014	Williams et al.		
D729,463 S *	5/2015	Lee	D32/3
9,730,571 B1 *	8/2017	Lee	A47L 19/04

(Continued)

OTHER PUBLICATIONS

Dishwasher Basket posted by Munchkin posted date Sep. 6, 2015, © Amazon, [online], [site visited Nov. 23, 2018]. Available from Internet, <https://www.amazon.co.uk/High-Capacity-Dishwasher-Basket-Pink> (Year: 2015).*

(Continued)

Primary Examiner — Cynthia Ramirez

Assistant Examiner — Laura H Yu

(74) *Attorney, Agent, or Firm* — Preti Flaherty Beliveau & Pachios LLP

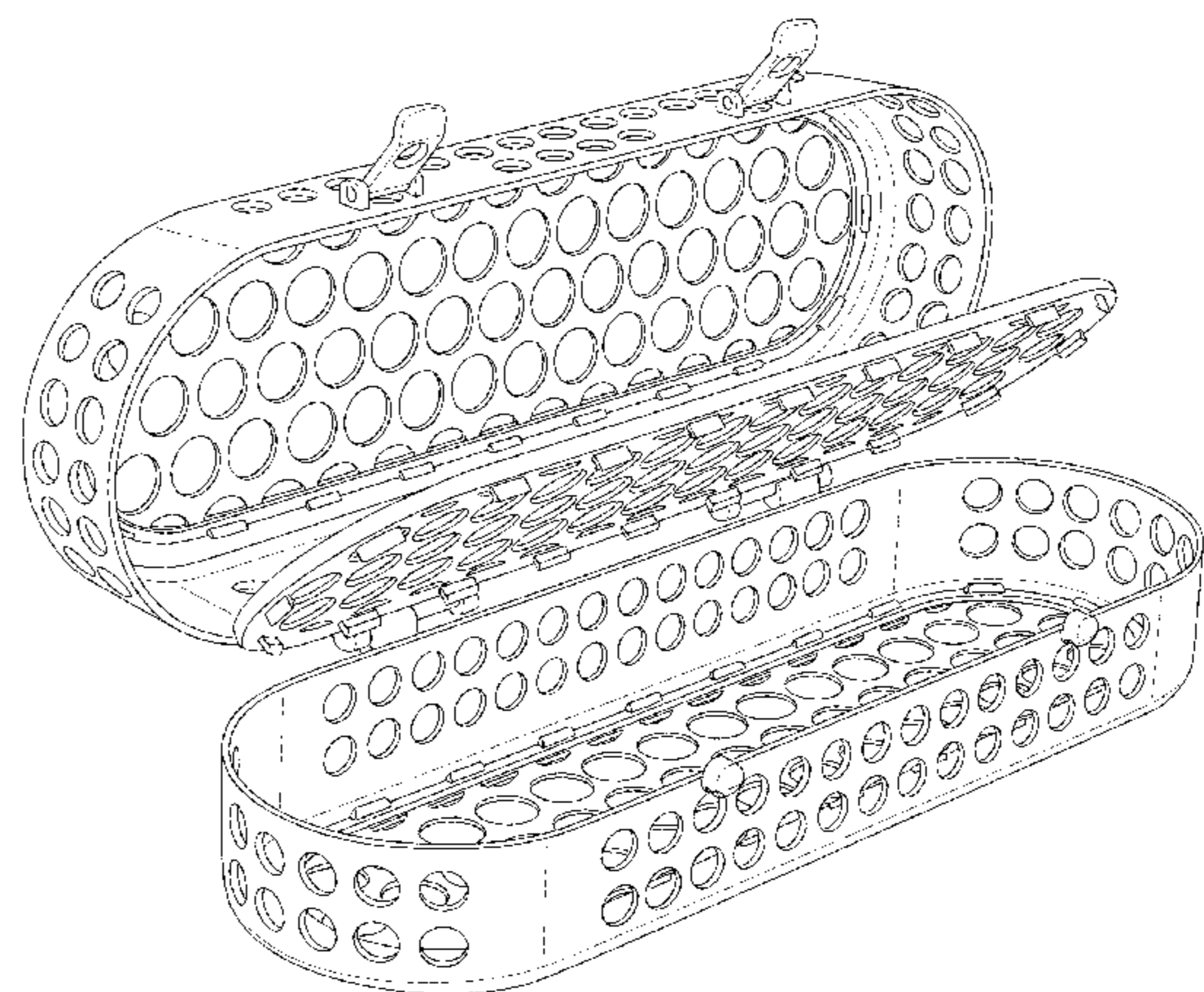
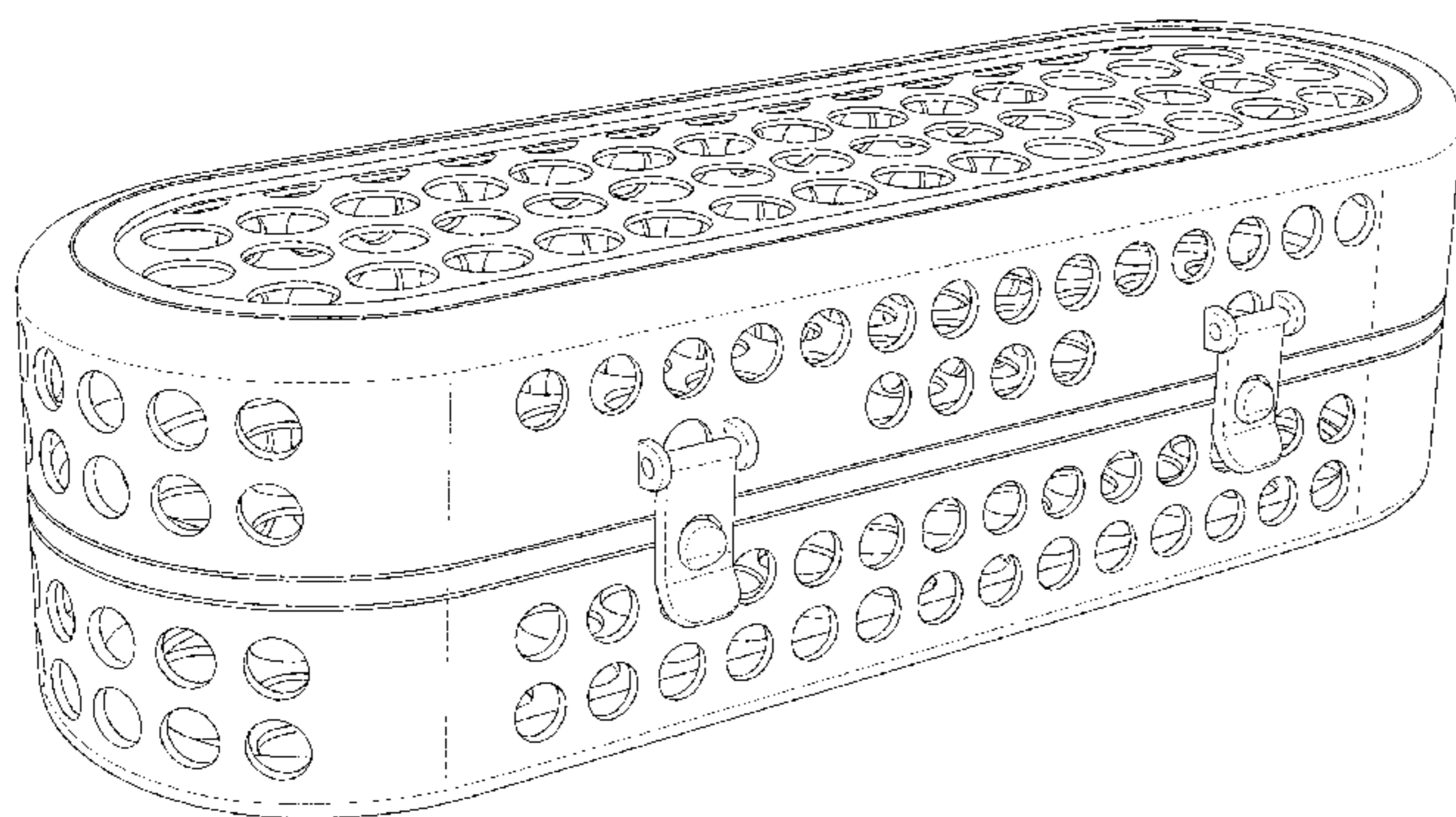
(57) **CLAIM**

The ornamental design for a dishwasher basket, as shown and described.

DESCRIPTION

FIG. 1 is a front perspective view of the dishwasher basket showing my new design;
FIG. 2 is a rear perspective view thereof;
FIG. 3 is a front view thereof;
FIG. 4 is a top view thereof;
FIG. 5 is a bottom perspective view thereof;
FIG. 6 is a rear bottom perspective view thereof;
FIG. 7 is a side view thereof;
FIG. 8 is a front perspective view with the latches in an open position thereof;
FIG. 9 is a magnified bottom perspective view of the latch in FIG. 8 of the dishwasher basket thereof;
FIG. 10 is a perspective view in an alternative configuration thereof; and,
FIG. 11 is another perspective view in an alternative configuration thereof.
The broken lines in FIG. 8 is to indicate an enlarged portion in FIG. 9. The broken lines in FIG. 9 illustrate the boundaries of the figure and none of the broken lines in the figures form a part of the claimed design.

1 Claim, 10 Drawing Sheets



(56)

References Cited

U.S. PATENT DOCUMENTS

2006/0065666 A1* 3/2006 Dunn A47L 15/505
220/676
2008/0272126 A1* 11/2008 Crookshanks A47L 15/502
220/486
2010/0193453 A1* 8/2010 Dunn A47L 15/505
211/60.1
2015/0305593 A1* 10/2015 Dabade A47L 15/502
220/488

OTHER PUBLICATIONS

Dishwasher Basket posted by BornFree posted date Sep. 29, 2014, © Amazon, [online], [site visited Nov. 23, 2018]. <https://www.amazon.co.uk/Born-Free-Bpa-Free-Dishwasher-Basket/> (Year: 2014).*

Dishwasher Basket posted by OXO posted review date Dec. 14, 2017, © Amazon, [online], [site visited Nov. 23, 2018]. <https://www.amazon.com/OXO-Tot-Dishwasher-Basket-Accessories> (Year: 2017).*

Flexible Dishwasher Basket posted by DrBrowns posted date unknown, © Nursing Angel, [online], [site visited Nov. 23, 2018]. <https://www.nursingangel.com.au/products/flexible-dishwasher-basket> (Year: 2018).*

Dishwasher Basket posted by Parents Choice posted date Jan. 16, 2019, © Amazon, [online], [site visited Mar. 14, 2019]. Available from Internet, <https://www.amazon.com/Parents-Choice-Silicone-Dishwasher-Basket/dp/B07HVZMCCR> (Year: 2019).*

* cited by examiner

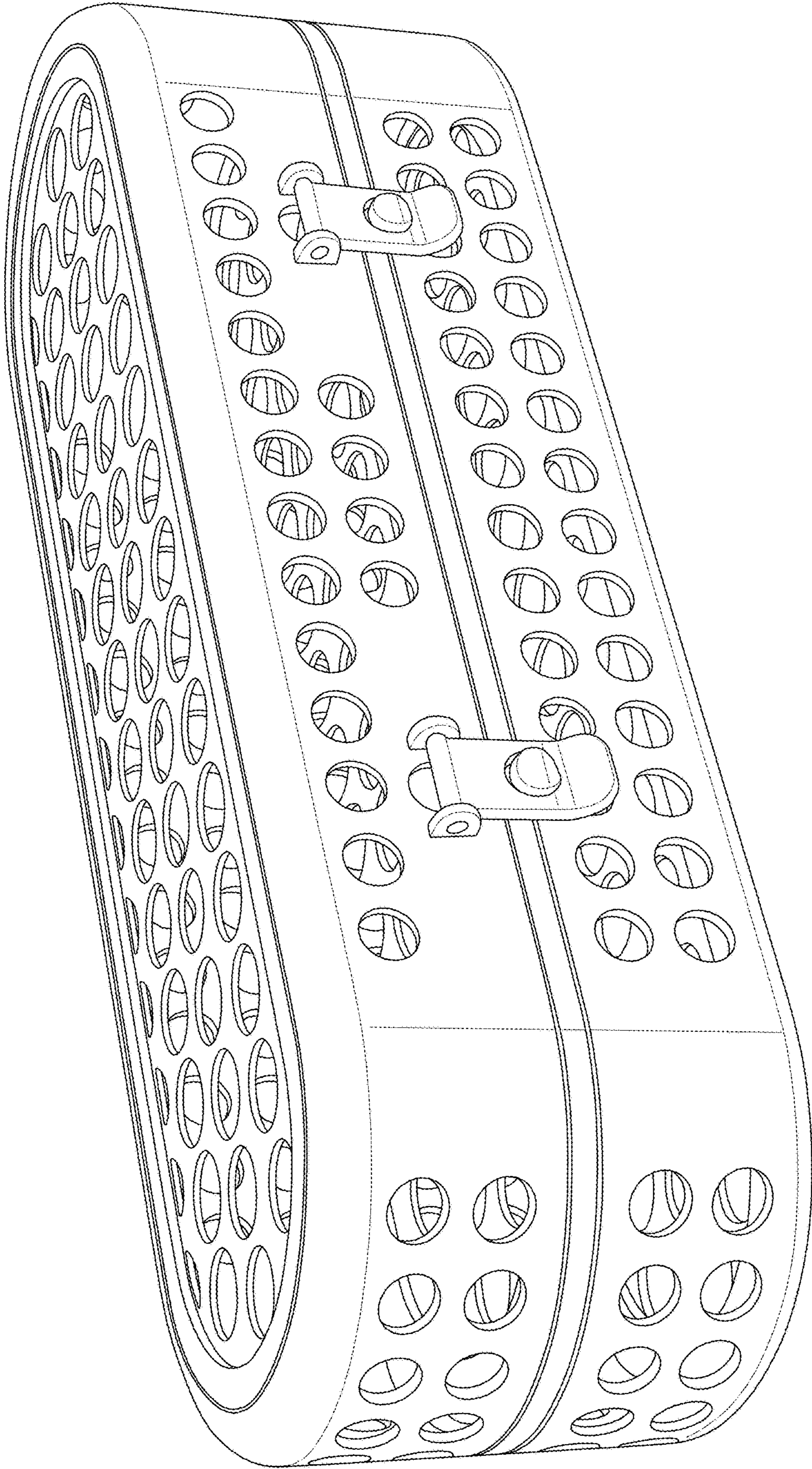


FIG. 1

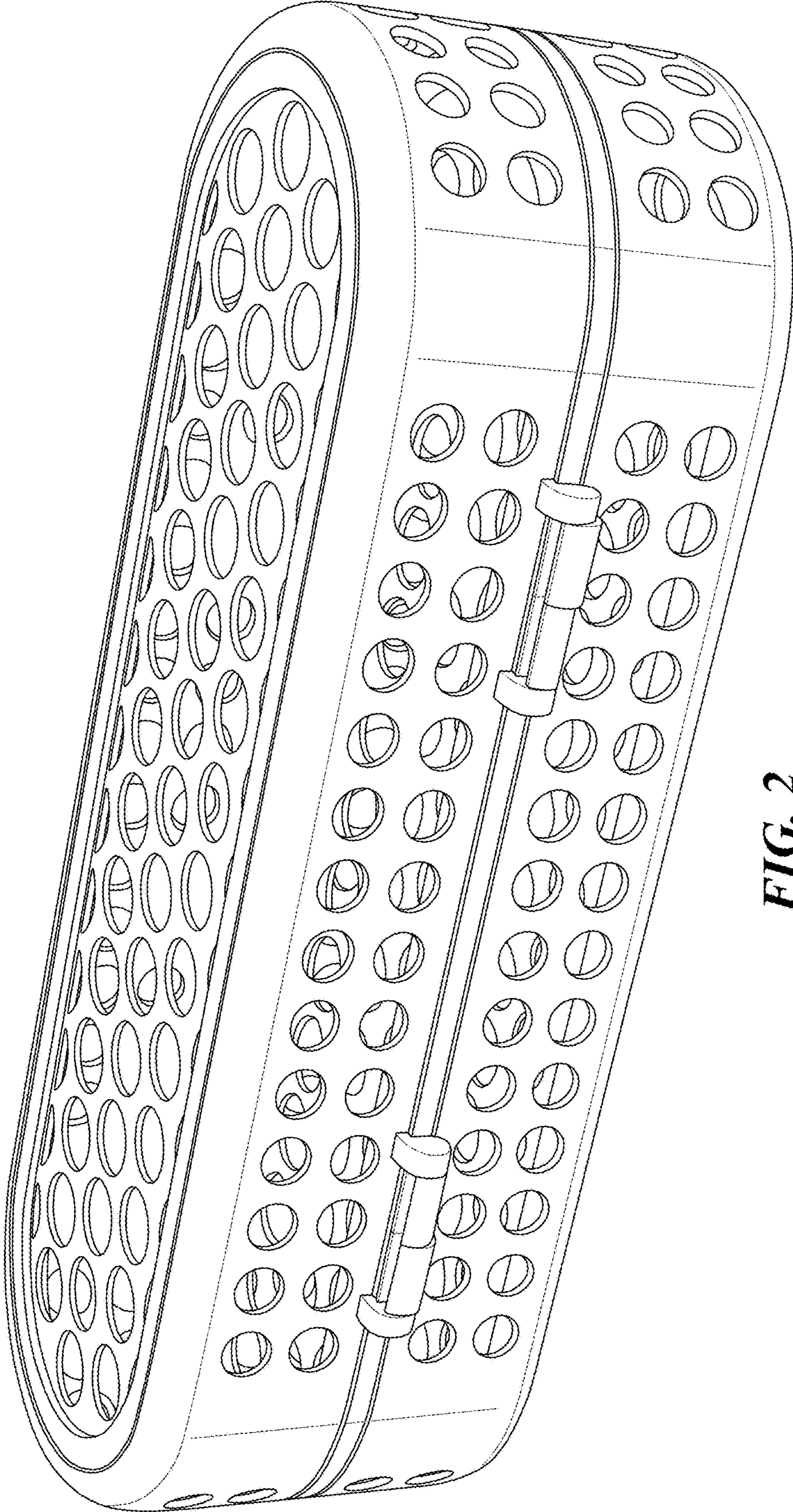


FIG. 2

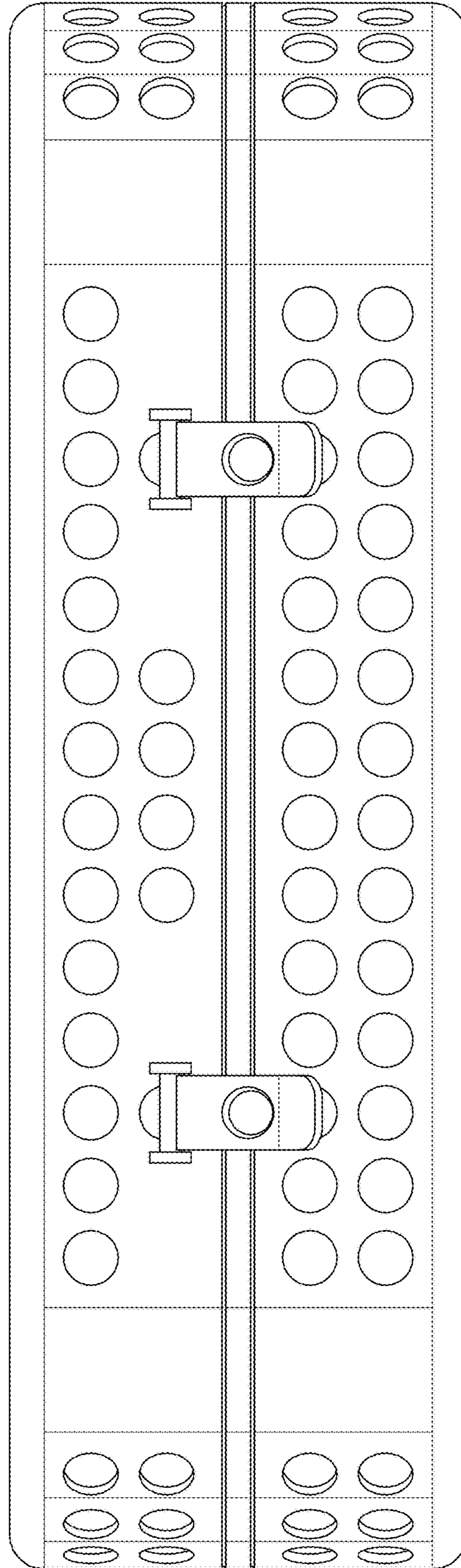


FIG. 3

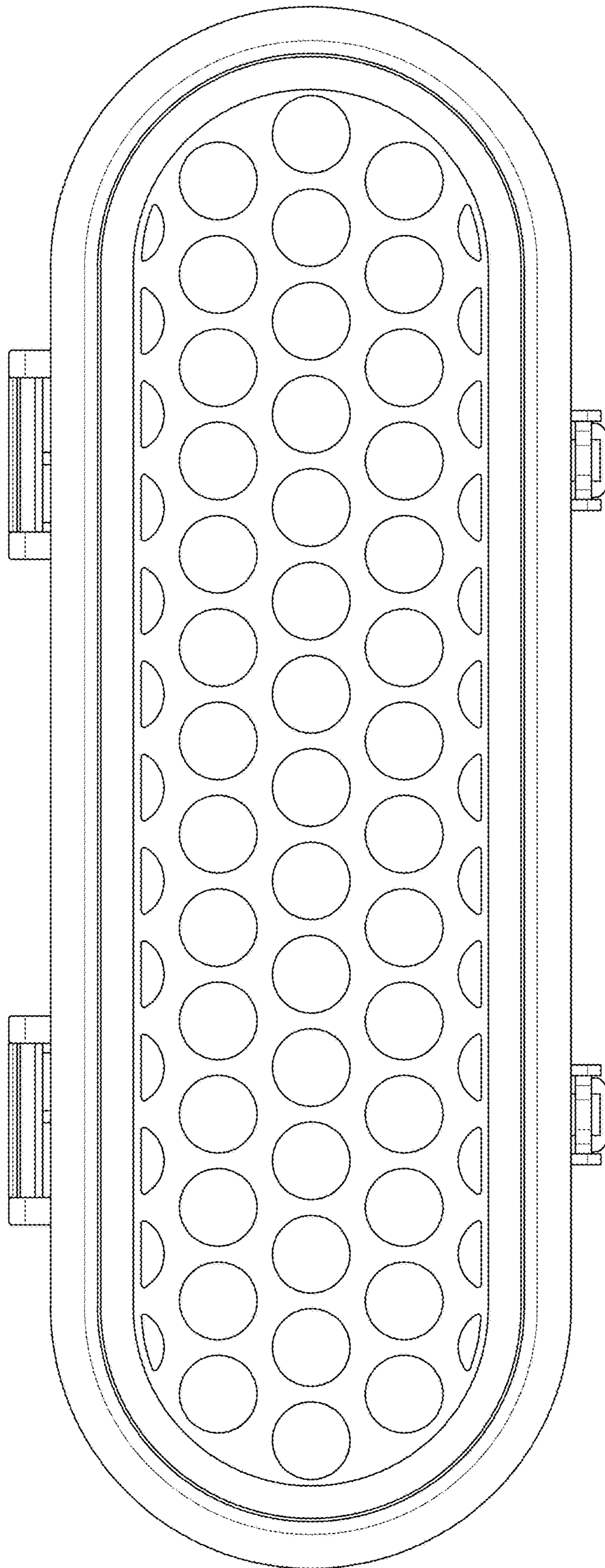


FIG. 4

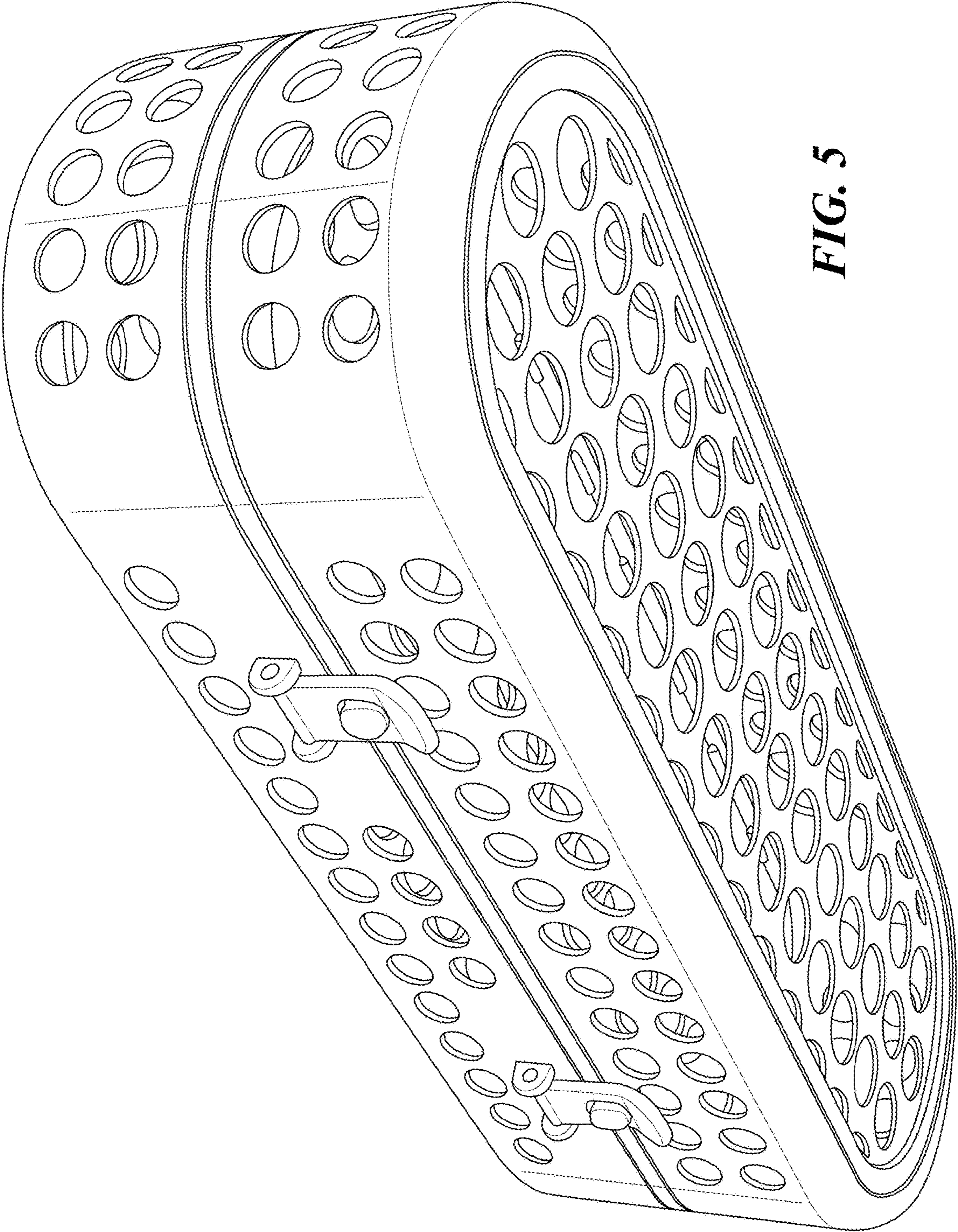


FIG. 5

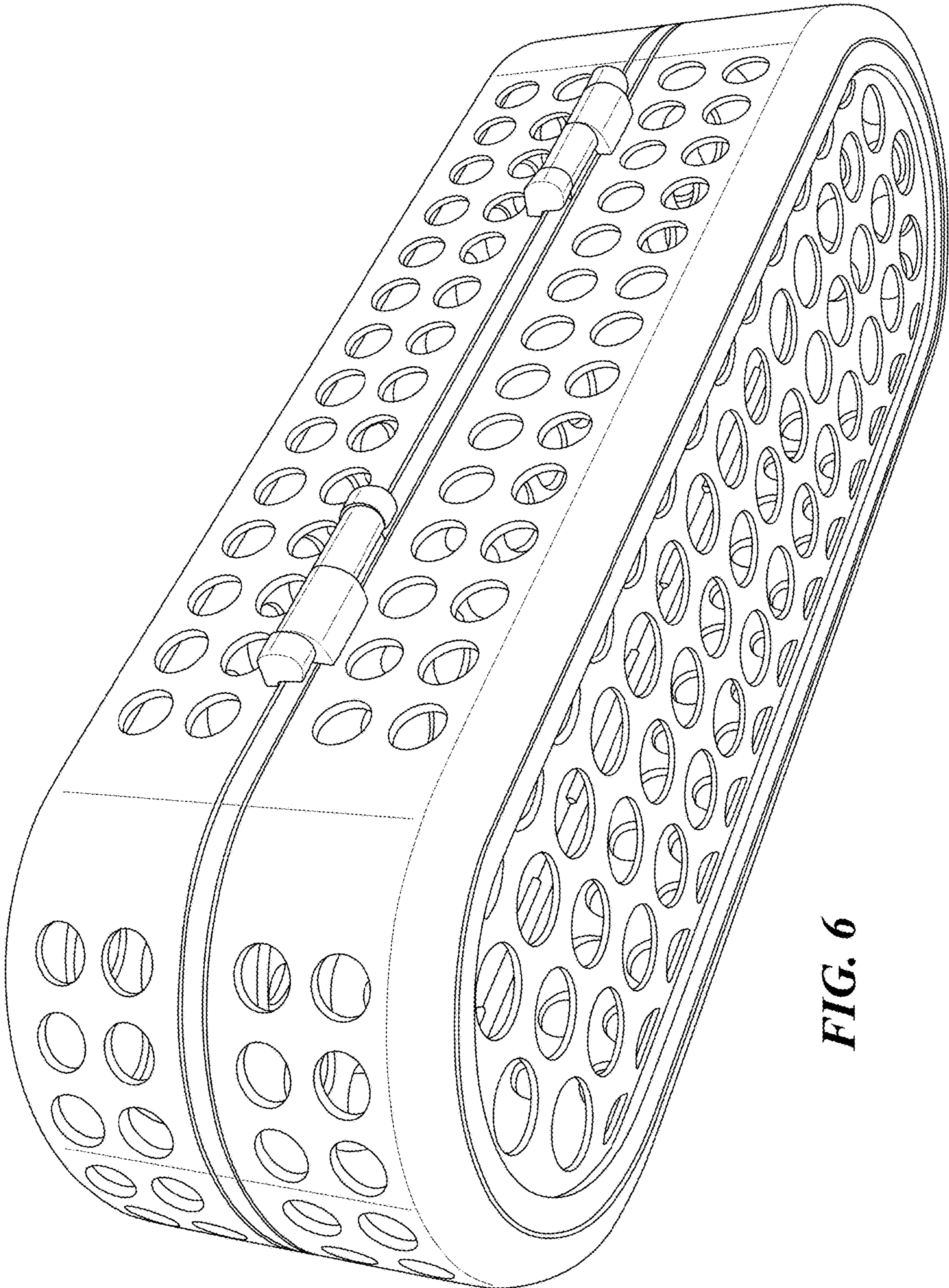


FIG. 6

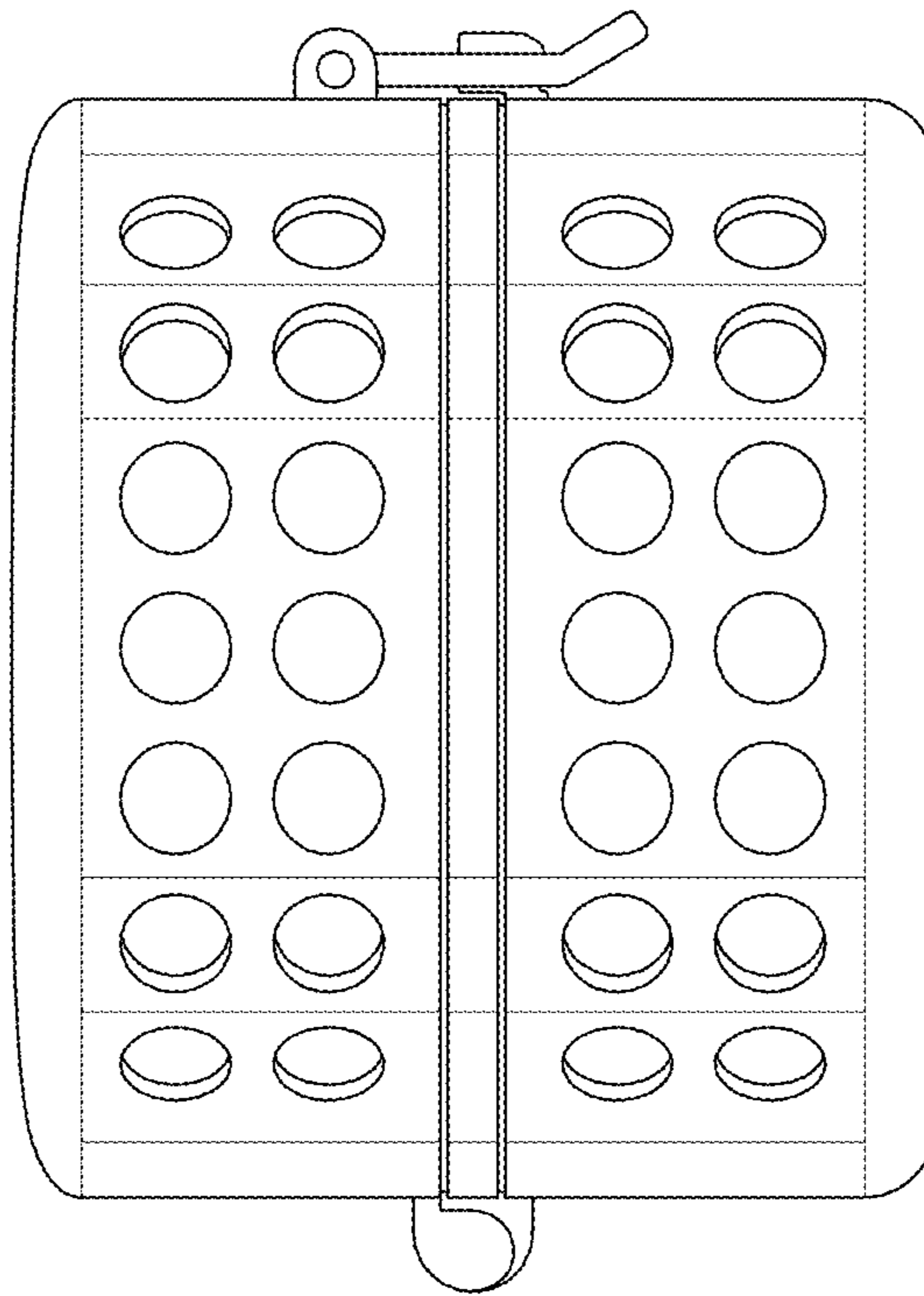


FIG. 7

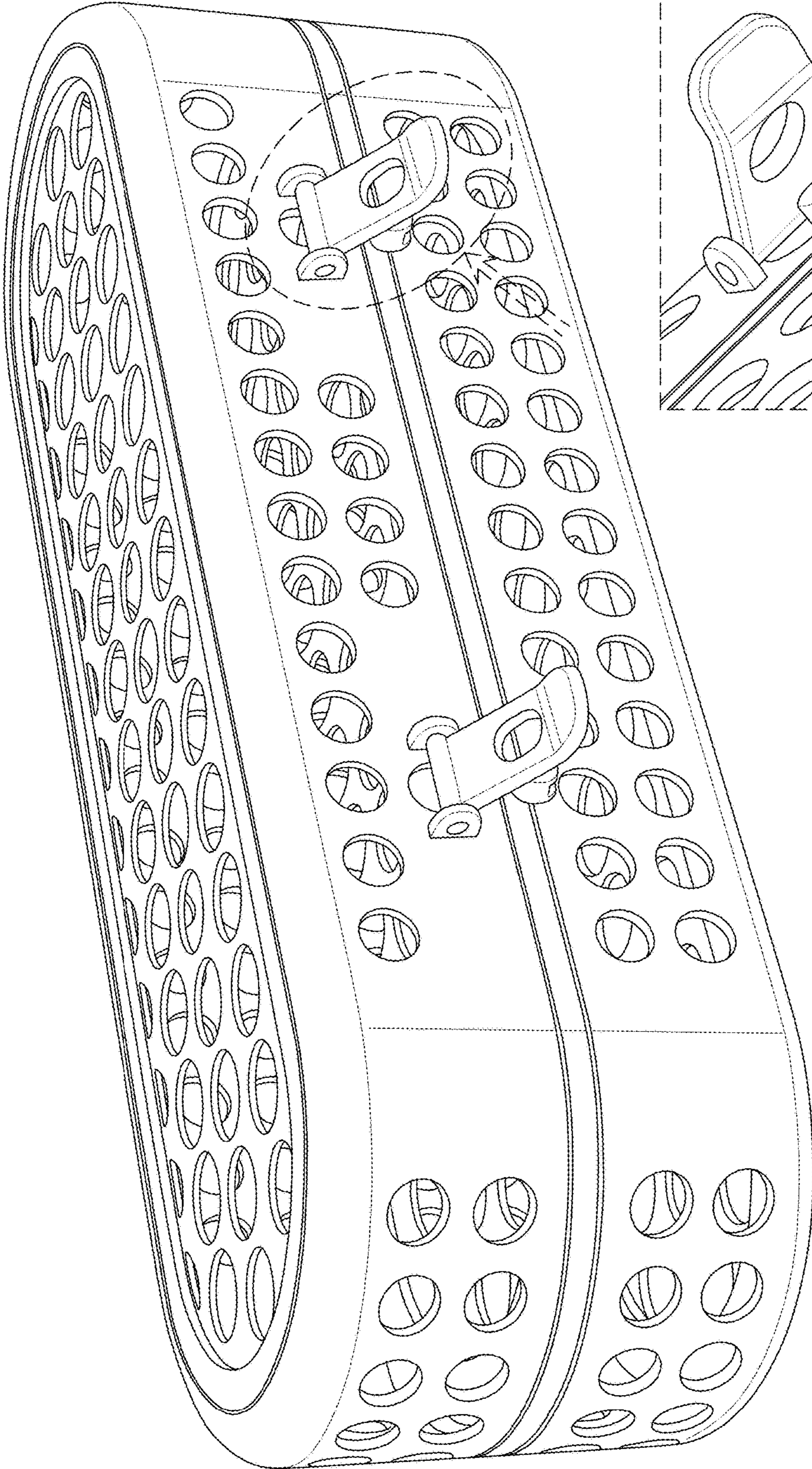


FIG. 8

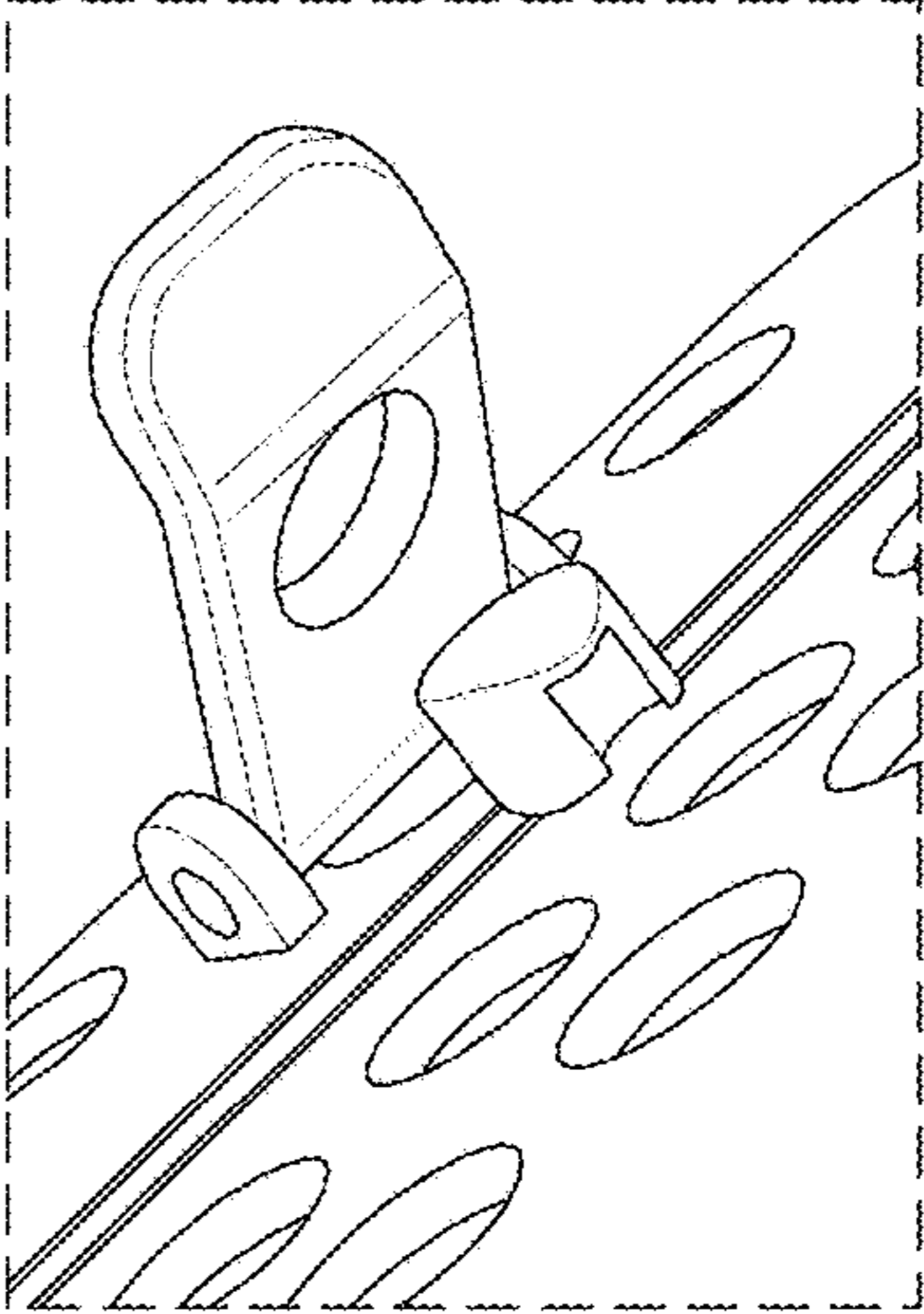


FIG. 9

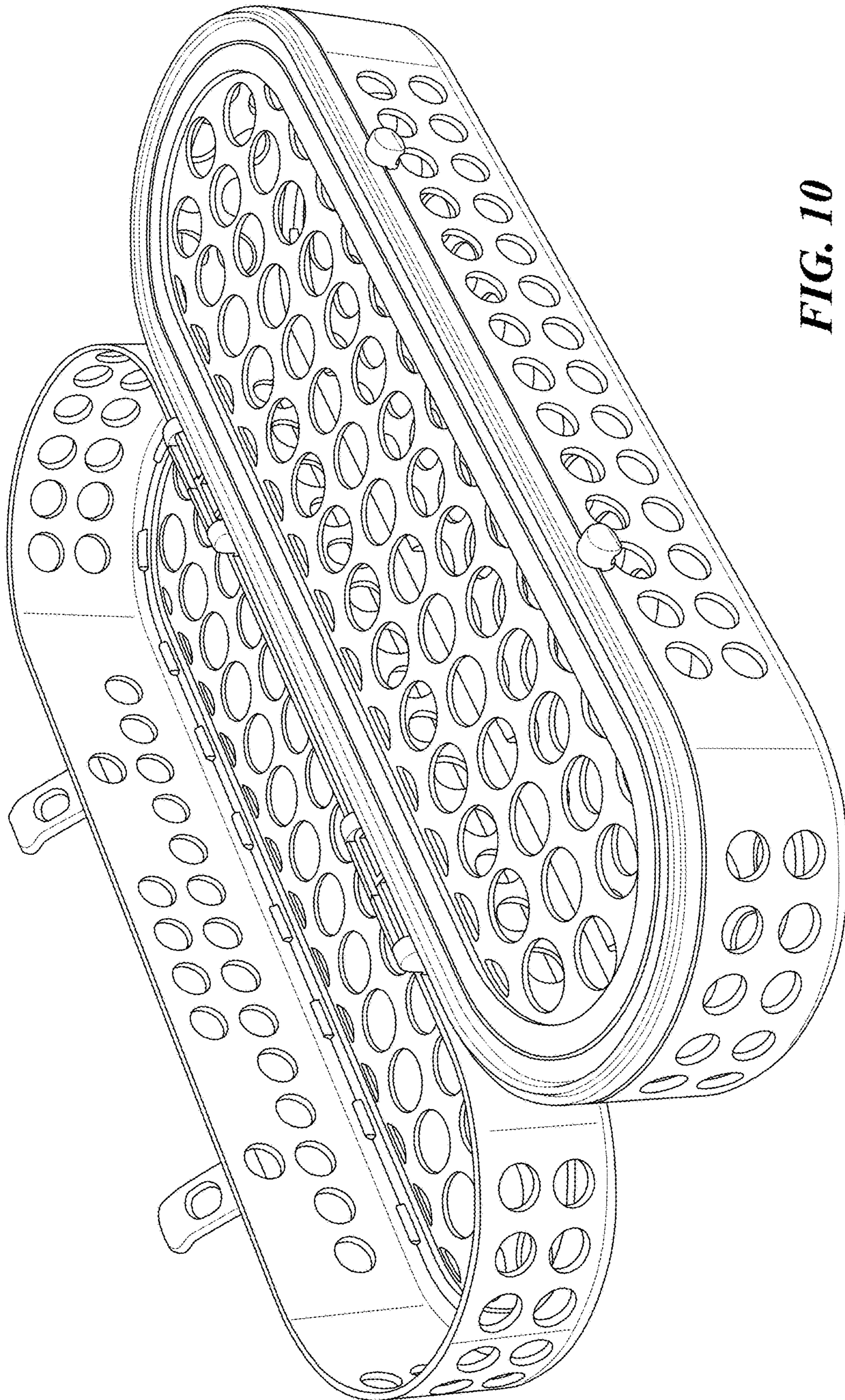


FIG. 10

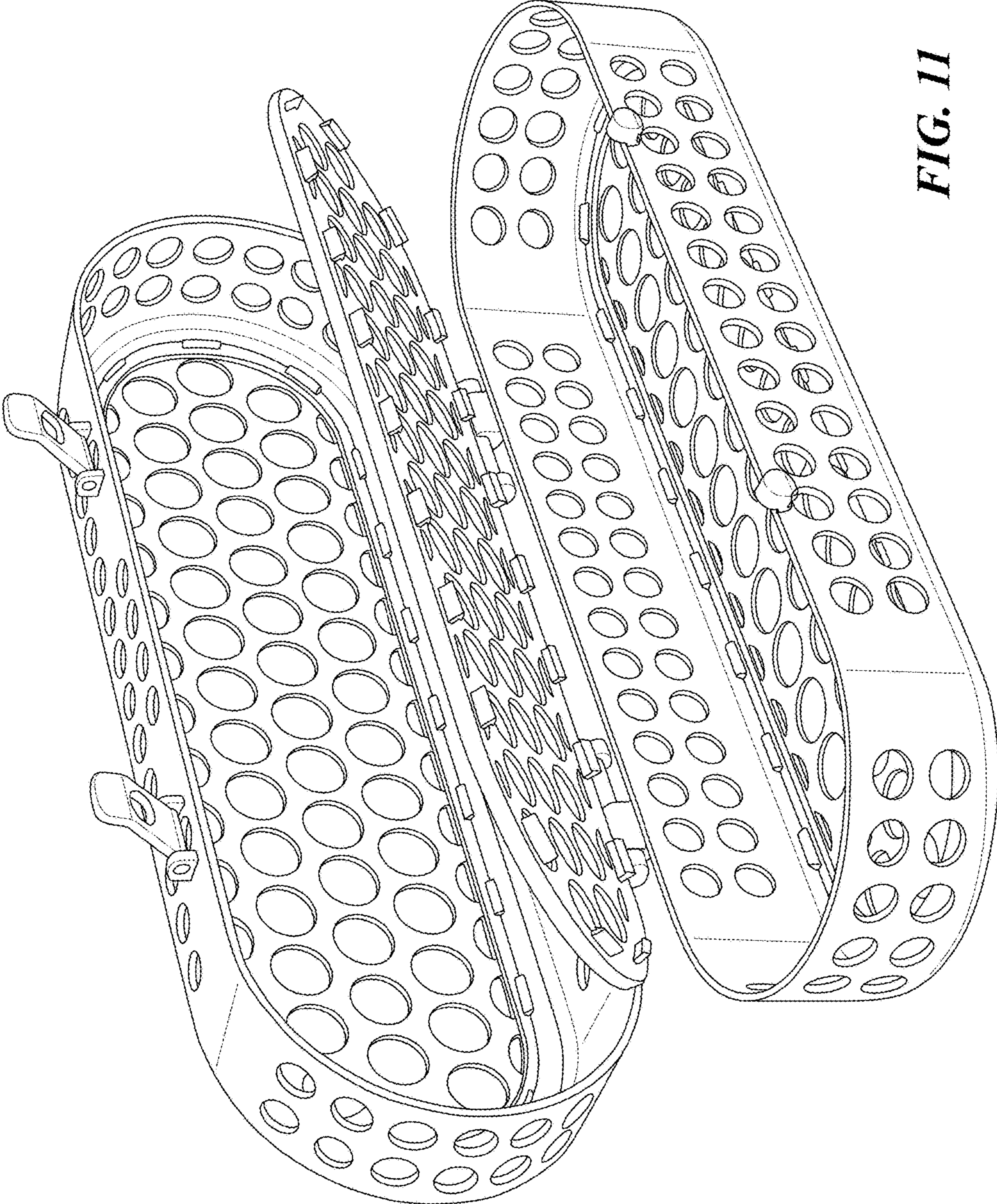


FIG. II