



US00D855905S

(12) **United States Design Patent**
Itzhak-Sigron et al.

(10) **Patent No.:** **US D855,905 S**

(45) **Date of Patent:** **** Aug. 6, 2019**

(54) **PLAY HOUSE FOR ANIMALS**

(71) Applicant: **Keter Plastic Ltd.**, Herzelyia (IL)

(72) Inventors: **Reut Itzhak-Sigron**, Ein Sarid (IL);
Daniel Rasenberg, Oosterhout (NL)

(73) Assignee: **KETER PLASTIC LTD.**, Herzelyia (IL)

(**) Term: **15 Years**

(21) Appl. No.: **29/583,857**

(22) Filed: **Nov. 9, 2016**

(30) **Foreign Application Priority Data**

May 11, 2016 (IL) 58535

(51) **LOC (12) Cl.** **30-99**

(52) **U.S. Cl.**
USPC **D30/160**

(58) **Field of Classification Search**
USPC D30/108, 118, 119, 158, 160-161;
119/19, 29, 482, 622, 702, 708
CPC .. A01K 15/024; A01K 15/025; A01K 15/026;
A01K 15/027
See application file for complete search history.

(56) **References Cited**

U.S. PATENT DOCUMENTS

D231,786 S *	6/1974	Burnley	119/265
D231,787 S *	6/1974	Burnley	119/265
4,177,761 A *	12/1979	Bellocchi, Jr.	A01K 1/035 119/482
D334,637 S *	4/1993	Mitchell	D30/160
D334,815 S *	4/1993	Bunger	D21/501
D338,571 S *	8/1993	Singer	D6/407
D423,171 S *	4/2000	Alcala	D34/19
D444,177 S *	6/2001	Carretta	D19/77
D473,396 S *	4/2003	Ong	D6/407
D483,200 S *	12/2003	Udommahuntisuk	D6/407

D551,070 S *	9/2007	Wallwork	D9/414
D554,303 S *	10/2007	Linehan	D30/160
D606,714 S *	12/2009	Kellogg	D30/160
D614,820 S *	4/2010	Kellogg	D30/160
D616,044 S *	5/2010	Tervo	D21/499
D629,920 S *	12/2010	Tezak	D25/114
D648,079 S *	11/2011	Haaf	D30/160
8,113,149 B2 *	2/2012	Quinn	A01K 15/025 119/622
D675,513 S *	2/2013	Sawa	D8/397
D726,971 S *	4/2015	Itzhak-Sigron	D30/118

(Continued)

Primary Examiner — Barbara Fox

Assistant Examiner — Mehri F Bajoul

(74) *Attorney, Agent, or Firm* — Vorys, Sater, Seymour & Pease LLP

(57) **CLAIM**

The ornamental design for a play house for animals, as shown and described.

DESCRIPTION

FIG. 1 is a front left perspective view of a play house for animals showing the new design, shown in a first embodiment;

FIG. 2 is a front elevational view thereof, rear elevational view being a mirror image of FIG. 2;

FIG. 3 is a side elevational view thereof, other side elevational view being identical to FIG. 3;

FIG. 4 is a top plan view thereof, bottom plan view being identical to FIG. 4;

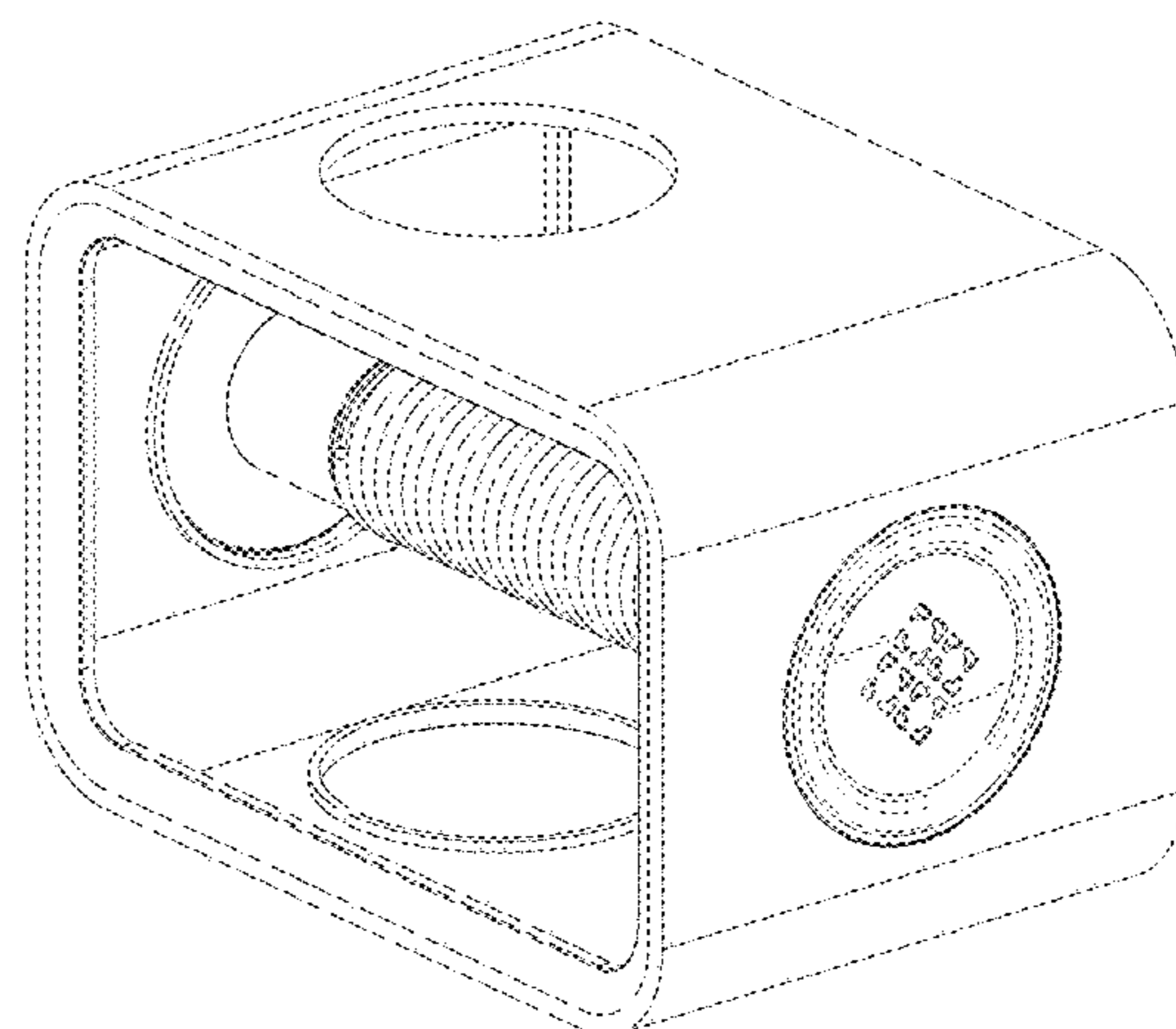
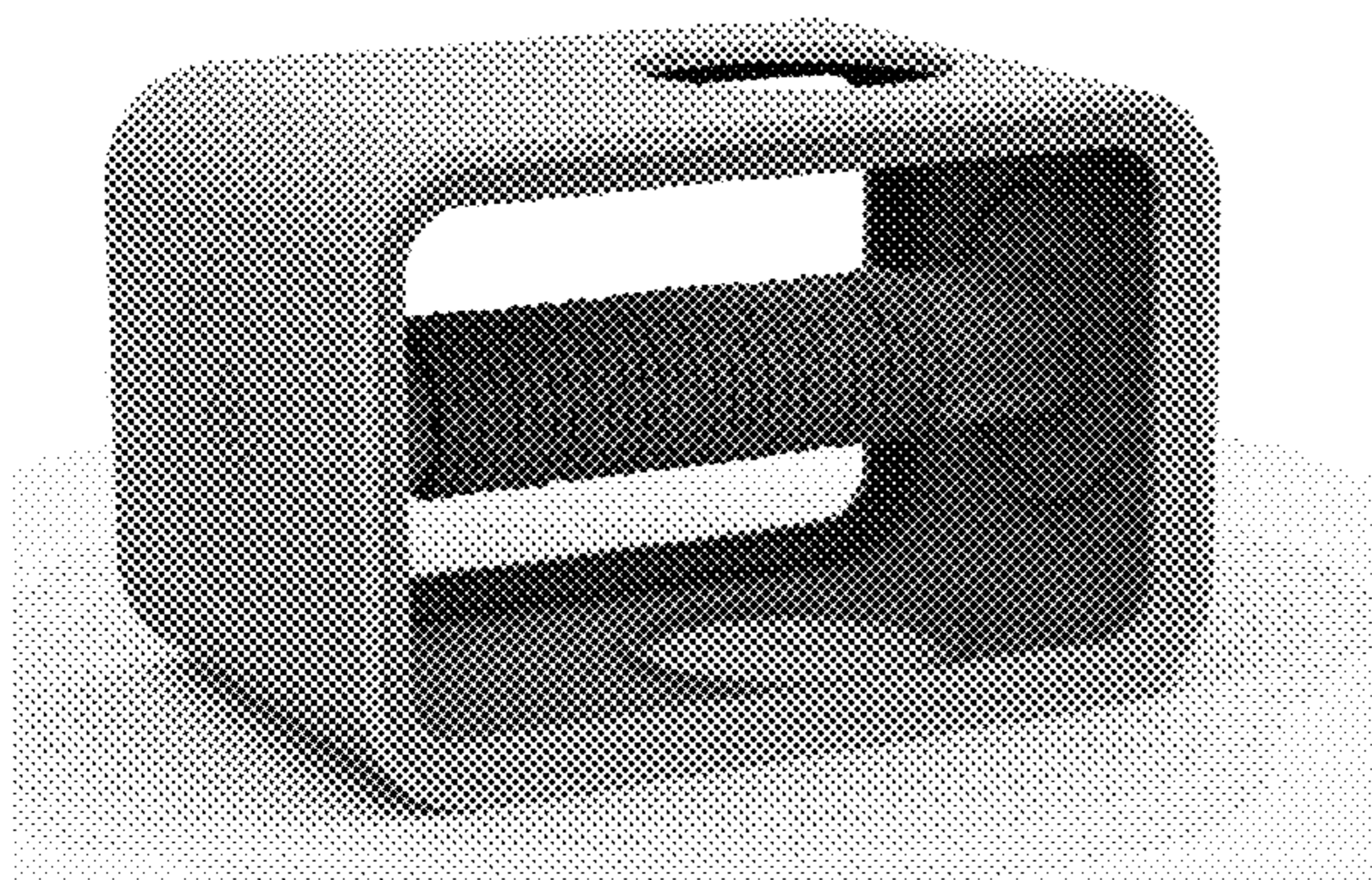
FIG. 5 is a front right perspective view of the play house for animals, shown in a second embodiment;

FIG. 6 is a front elevational view thereof, rear elevational view being a mirror image of FIG. 6;

FIG. 7 is a side elevational view thereof, other side elevational view being identical to FIG. 7; and,

FIG. 8 is a top plan view thereof, bottom plan view being identical to FIG. 8.

1 Claim, 8 Drawing Sheets



(56)

References Cited

U.S. PATENT DOCUMENTS

D774,707 S *	12/2016	Kellogg	D30/160
D789,622 S *	6/2017	Kellogg	D30/160
D792,758 S *	7/2017	Olayiwola	D9/418
D802,850 S *	11/2017	Spaile	D30/119
2012/0234252 A1 *	9/2012	Donta	A01K 1/0125 119/168

* cited by examiner

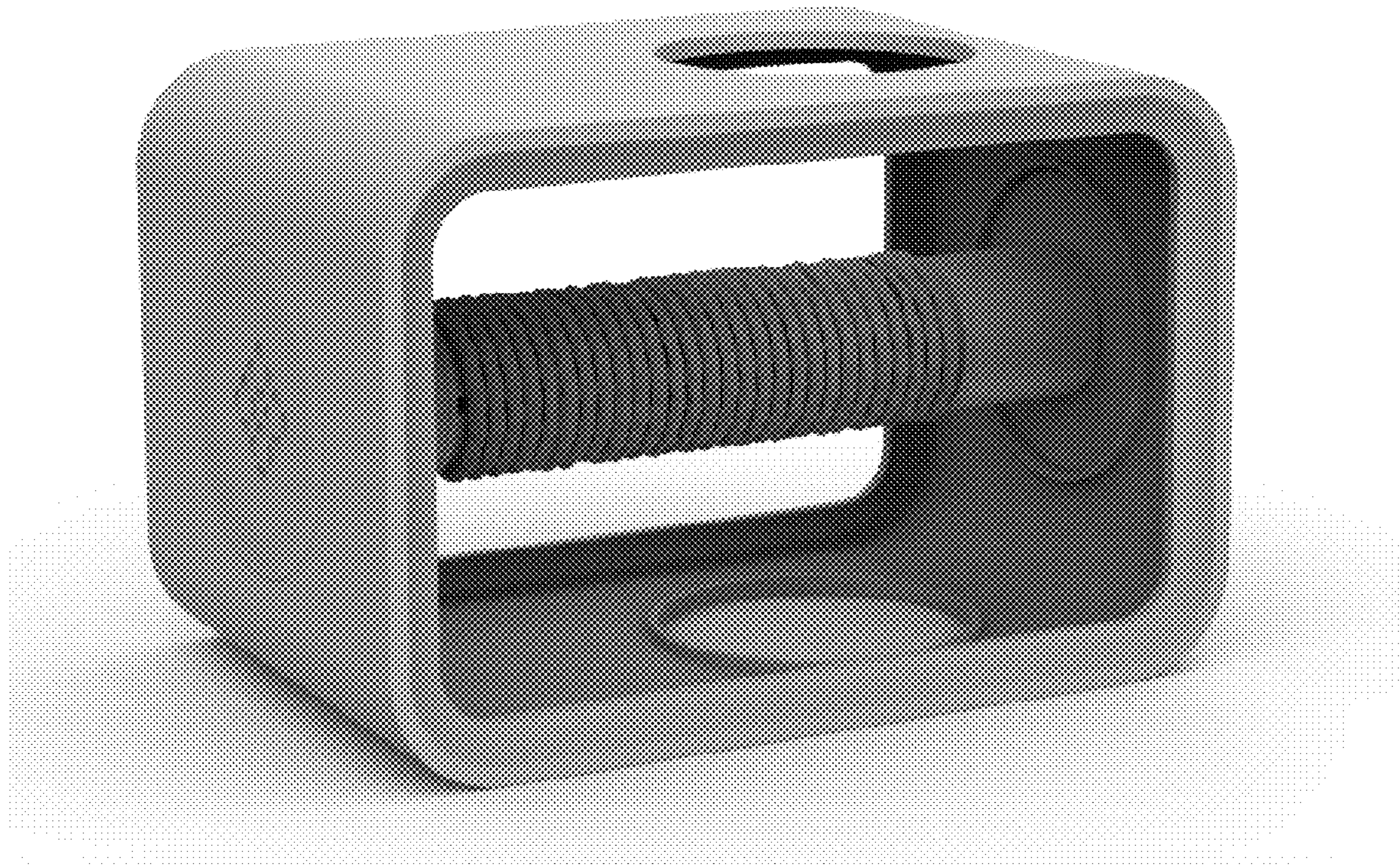


FIG. 1

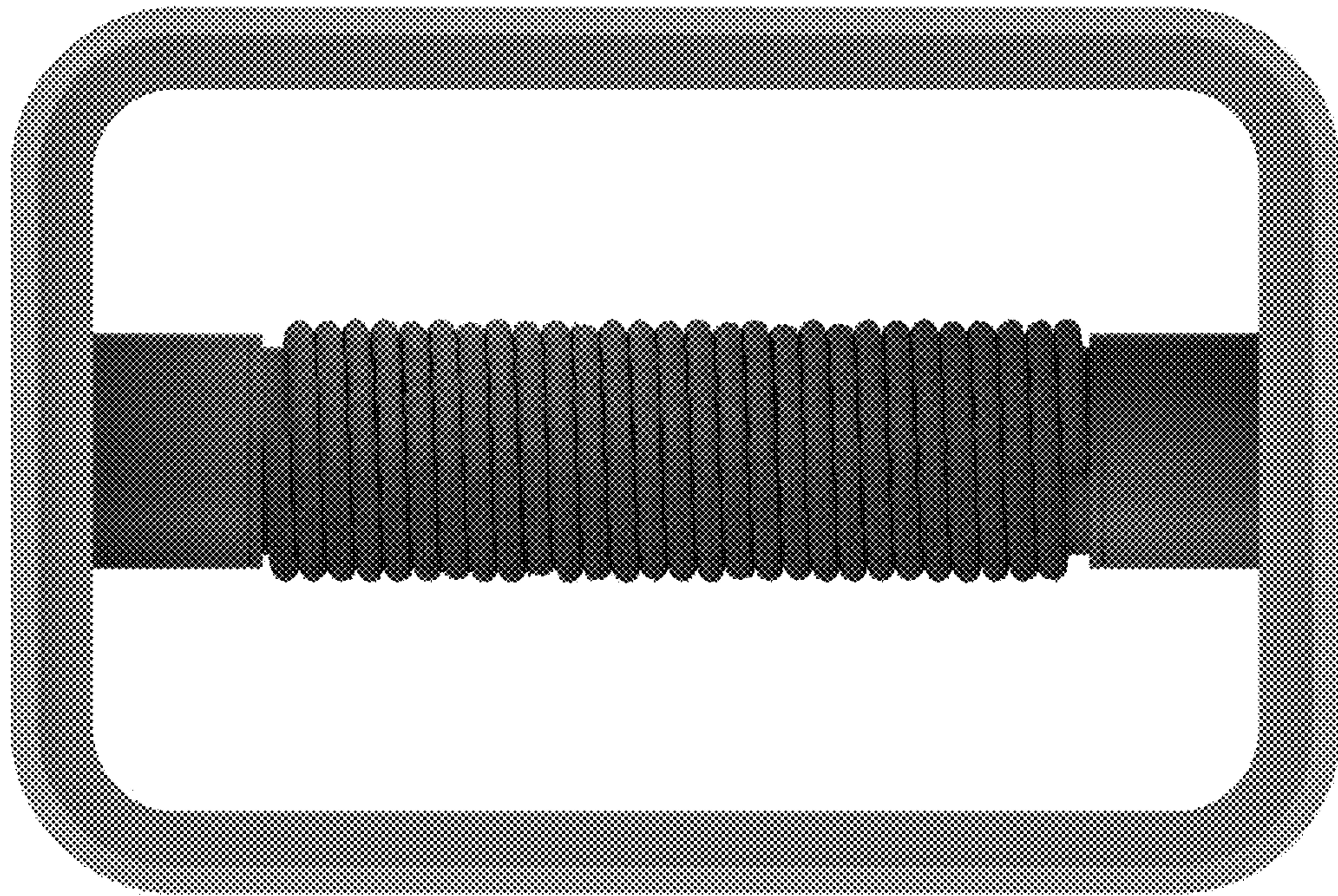


FIG. 2

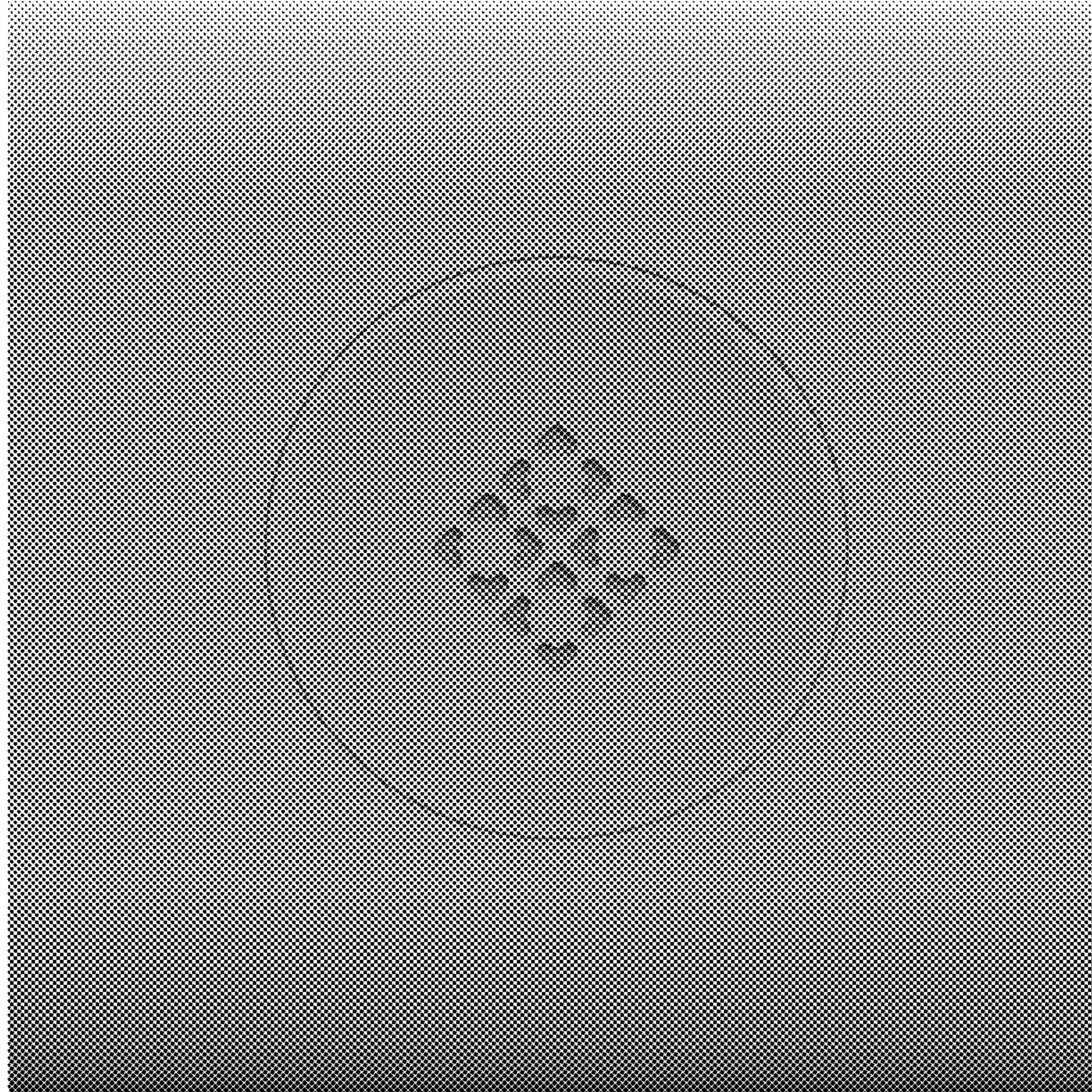


FIG. 3

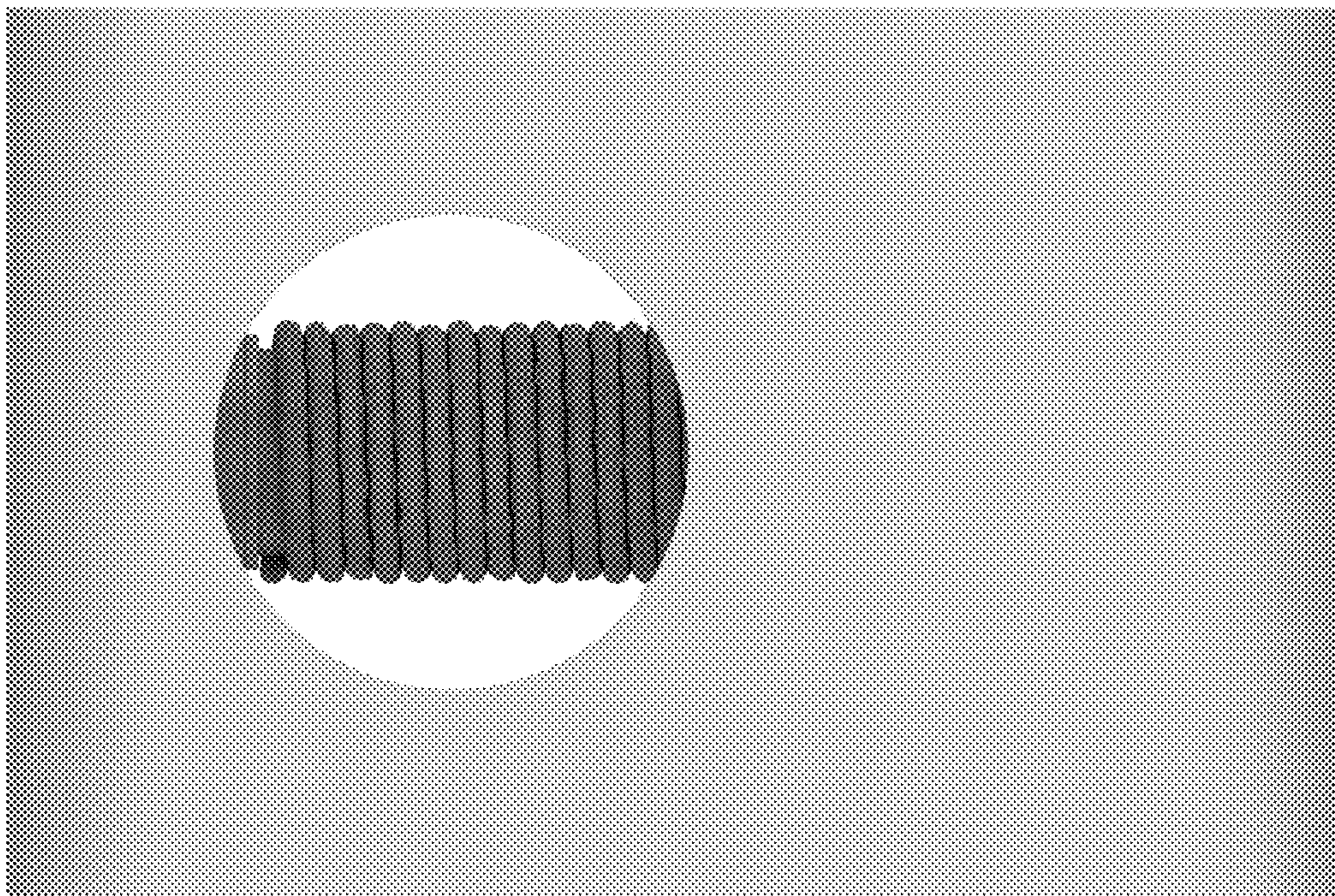


FIG. 4

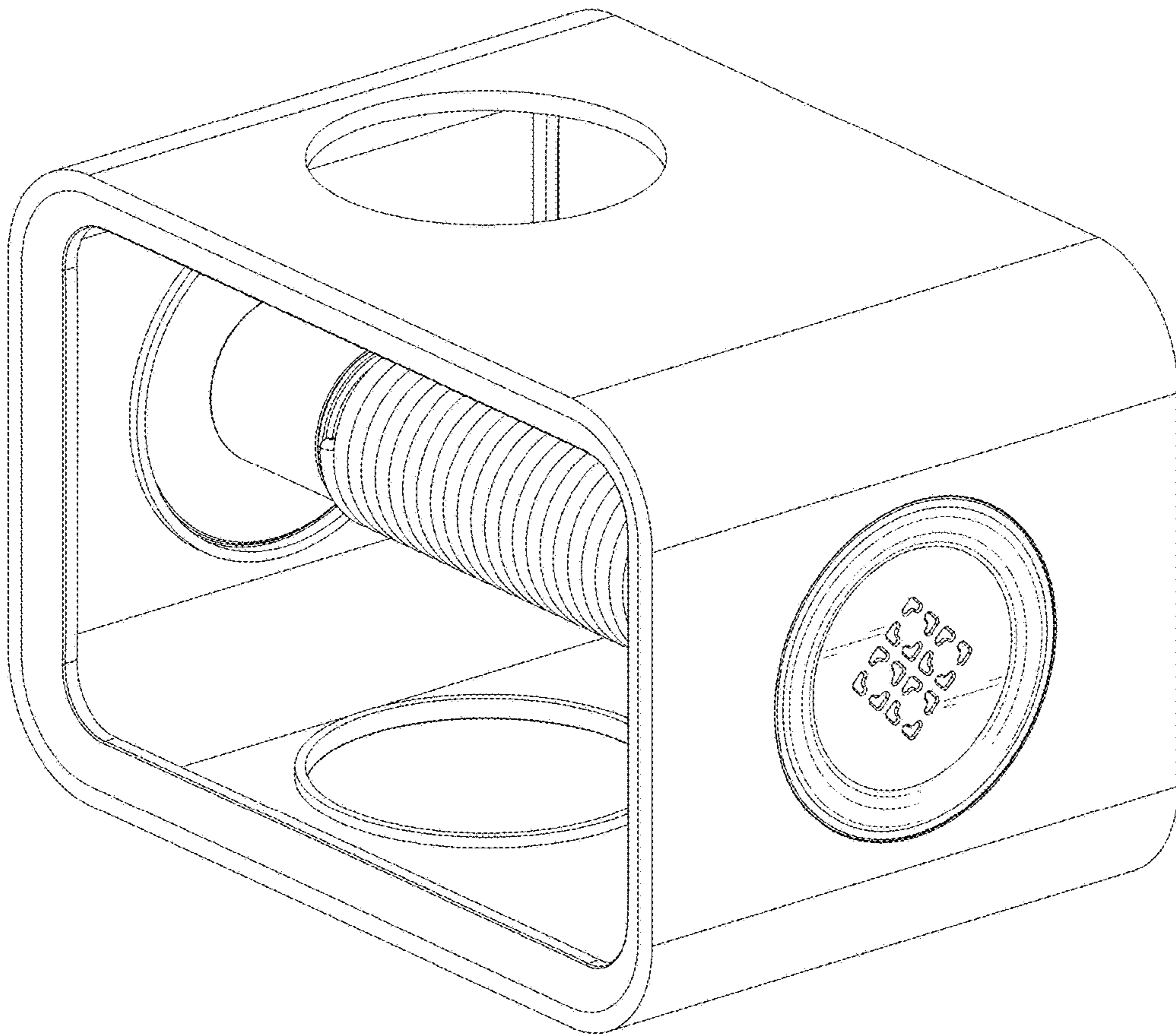


FIG. 5

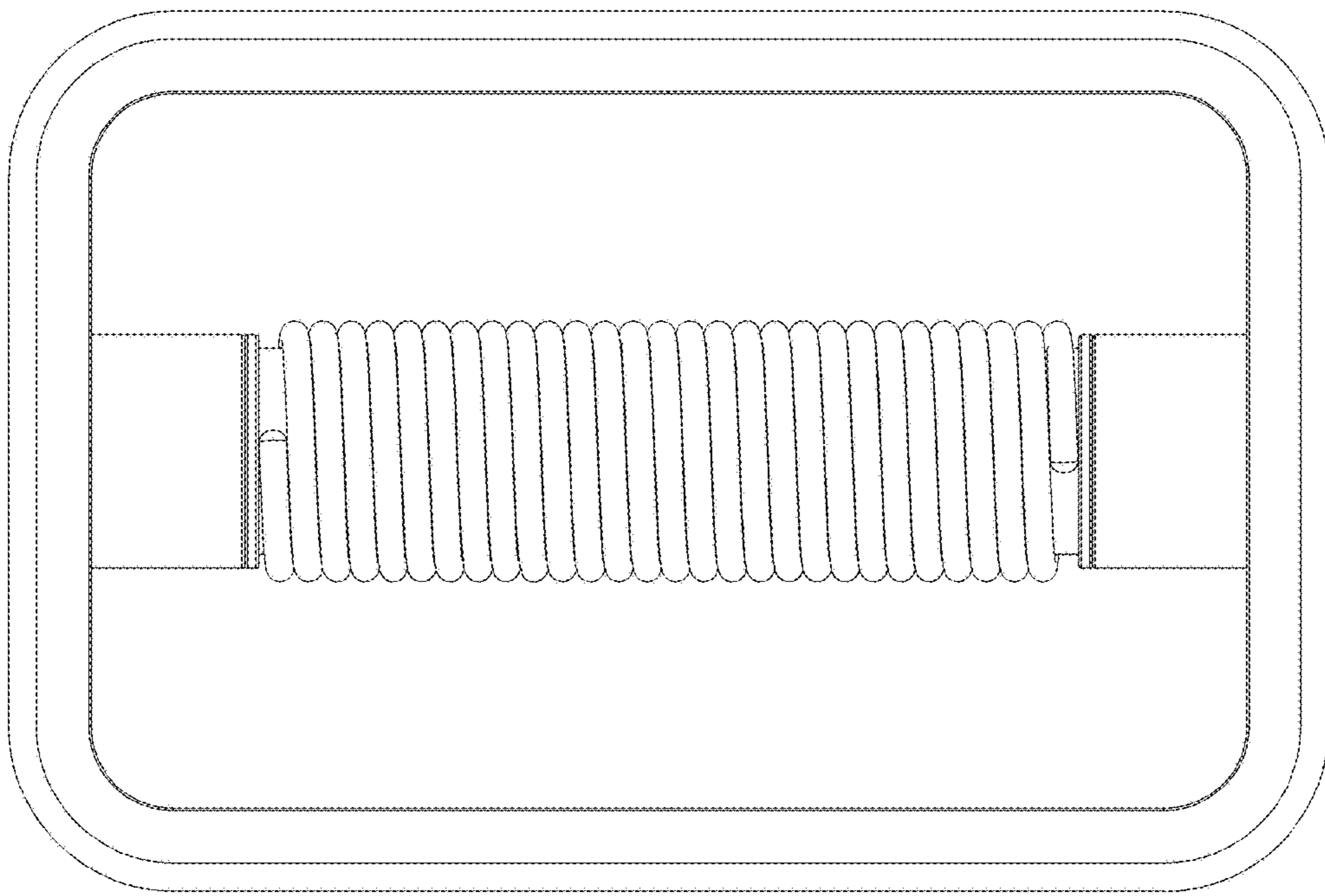


FIG. 6

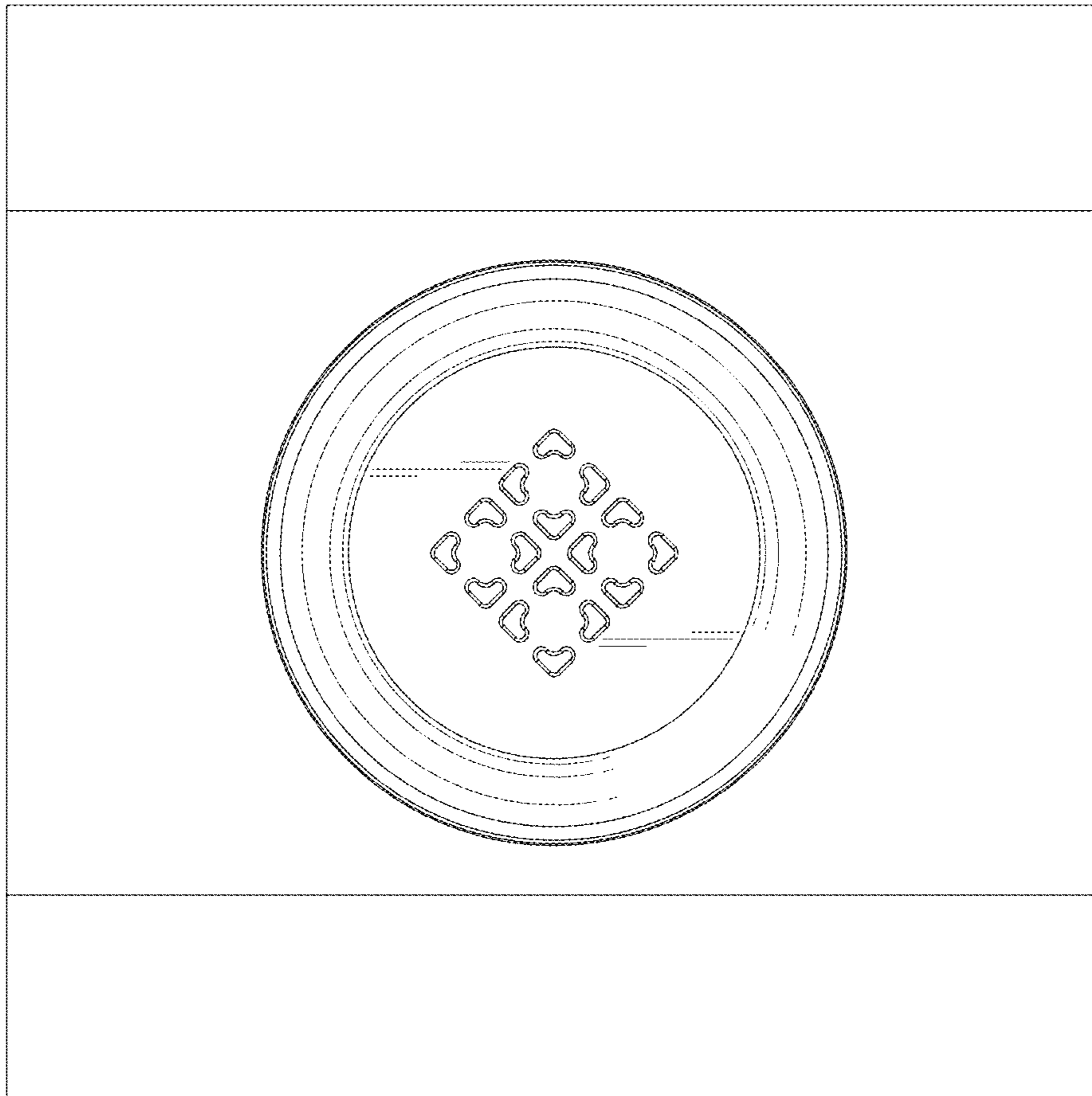


FIG. 7

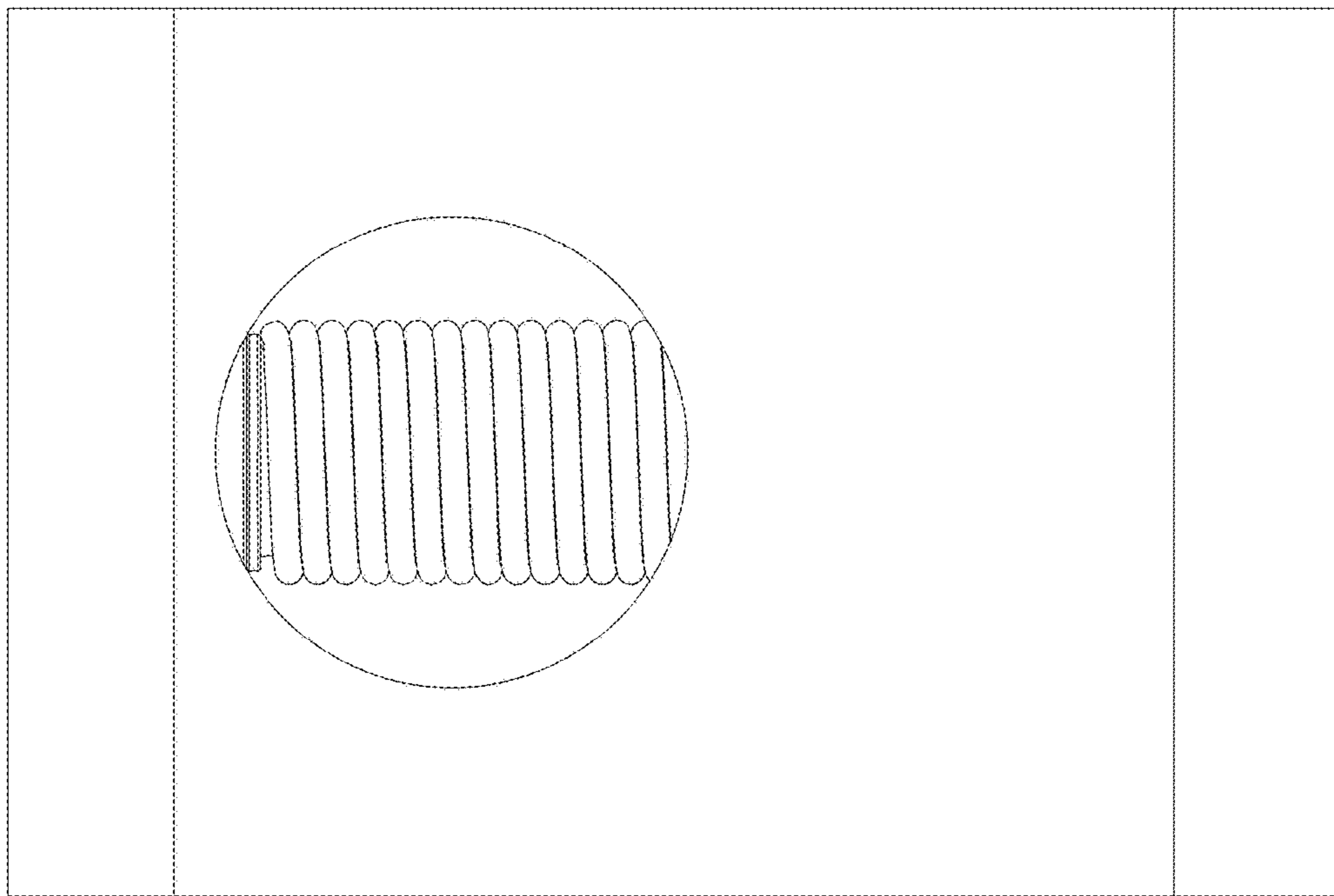


FIG. 8