



US00D855904S

(12) **United States Design Patent**  
**Zhu et al.**

(10) **Patent No.:** **US D855,904 S**  
(45) **Date of Patent:** **\*\* Aug. 6, 2019**

- (54) **PET NAIL SCISSORS**
- (71) Applicant: **Suzhou Petmate Industry & Trade Co., Ltd., Suzhou (CN)**
- (72) Inventors: **Haiyuan Zhu, Suzhou (CN); Xinggen Huang, Suzhou (CN)**
- (73) Assignee: **SUZHOU PETMATE INDUSTRY & TRADE CO., LTD., Suzhou (CN)**
- (\*\*) Term: **15 Years**
- (21) Appl. No.: **29/631,948**
- (22) Filed: **Jan. 4, 2018**
- (30) **Foreign Application Priority Data**  
Jul. 10, 2017 (CN) ..... 2017 3 0299990
- (51) **LOC (12) Cl.** ..... **30-99**
- (52) **U.S. Cl.**  
USPC ..... **D30/158**
- (58) **Field of Classification Search**  
USPC ..... D30/158, 199; 119/601, 600, 650, 610, 119/652, 602, 605, 607; D28/60; 132/73.5, 73, 75.4, 75.5; 30/26-29, 123, 30/175, 179, 124, 125, 182, 131, 145; 606/165, 175; 168/48.1; 83/13, 130; 340/573.1; 600/310; 362/119, 253, 800; 7/162; D8/5, 52-56, 60, 107  
CPC ..... A01K 13/00; A01K 17/00; B26B 13/22; A45D 29/02  
See application file for complete search history.

- (56) **References Cited**  
U.S. PATENT DOCUMENTS  
3,838,507 A \* 10/1974 Clark ..... A01K 17/00  
30/242  
D259,854 S \* 7/1981 Wahlberg ..... D8/58

- D262,090 S \* 12/1981 Wahlberg ..... D8/58
- D268,002 S \* 2/1983 Brunosson ..... D8/58
- 5,220,856 A \* 6/1993 Eggert ..... B25B 7/06  
30/254
- D366,199 S \* 1/1996 Bartky ..... D8/52
- D406,520 S \* 3/1999 Bunzel ..... D8/107
- D424,393 S \* 5/2000 Lamond ..... D8/58
- D464,554 S \* 10/2002 Chen ..... D8/107
- D472,127 S \* 3/2003 Willinger ..... D8/107
- D477,208 S \* 7/2003 Panosian ..... D8/107
- D615,254 S \* 5/2010 Manheimer, III ..... D30/158
- 8,793,883 B1 \* 8/2014 Romero ..... A01D 46/247  
30/261
- 9,003,667 B2 \* 4/2015 Huang ..... A01G 3/02  
30/254
- D763,049 S \* 8/2016 Lin ..... D8/52
- 10,173,332 B1 \* 1/2019 Zhu ..... B26B 13/08
- 2006/0158871 A1 \* 7/2006 Hopkins ..... A01K 13/00  
362/119
- 2009/0158593 A1 \* 6/2009 Smith ..... A01K 13/00  
30/28
- 2014/0041195 A1 \* 2/2014 Hoang ..... B25B 7/12  
29/434
- 2016/0066542 A1 \* 3/2016 Kearns ..... A01K 17/00  
30/27

(Continued)

*Primary Examiner* — Susan Moon Lee  
(74) *Attorney, Agent, or Firm* — SZDC Law P.C.

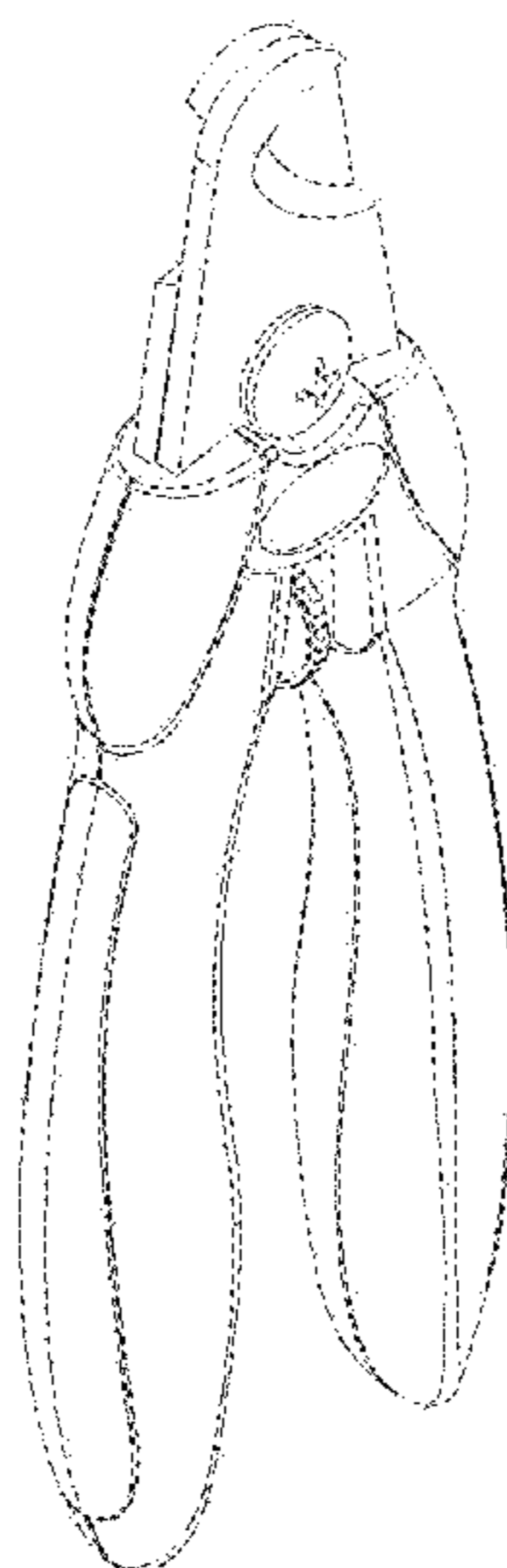
(57) **CLAIM**

The ornamental design for pet nail scissors, as shown and described.

**DESCRIPTION**

FIG. 1 is a front perspective view of pet nail scissors;  
FIG. 2 is a front view thereof;  
FIG. 3 is a back view thereof;  
FIG. 4 is a right view thereof;  
FIG. 5 is a left view thereof;  
FIG. 6 is a top view thereof; and,  
FIG. 7 is a bottom view thereof.

**1 Claim, 6 Drawing Sheets**



(56)

**References Cited**

U.S. PATENT DOCUMENTS

2016/0199986 A1\* 7/2016 Tillinghast, III ..... B26B 17/006  
30/176  
2017/0245469 A1\* 8/2017 Contreras ..... A01K 17/00

\* cited by examiner

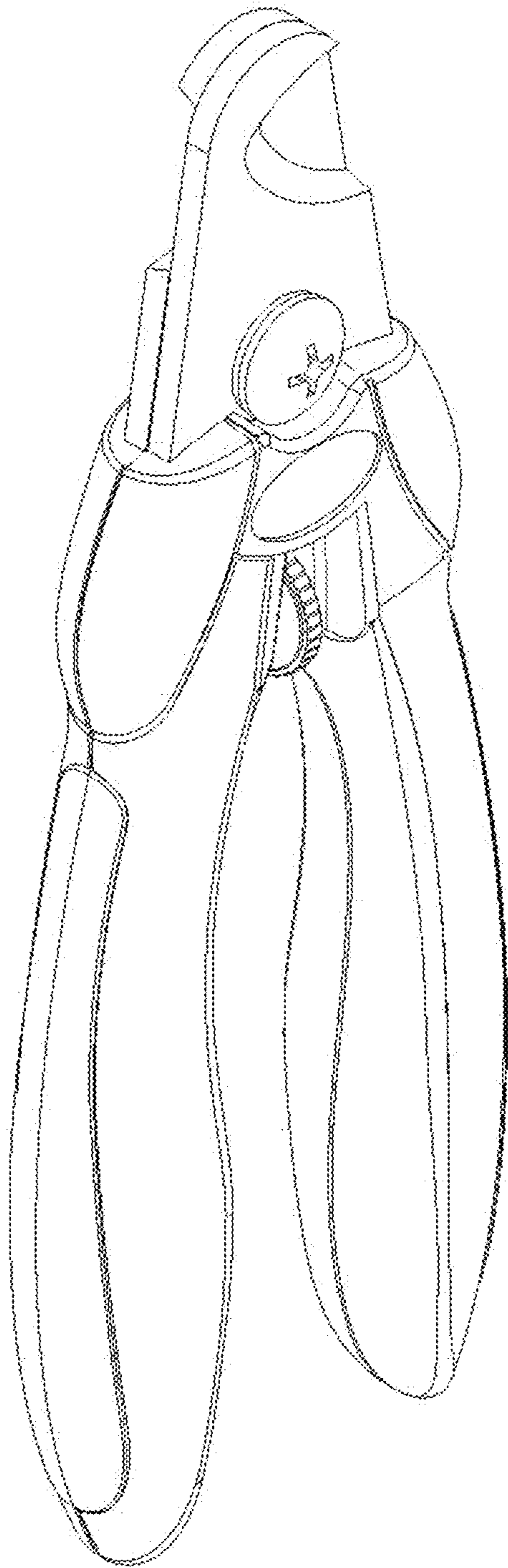


Figure 1

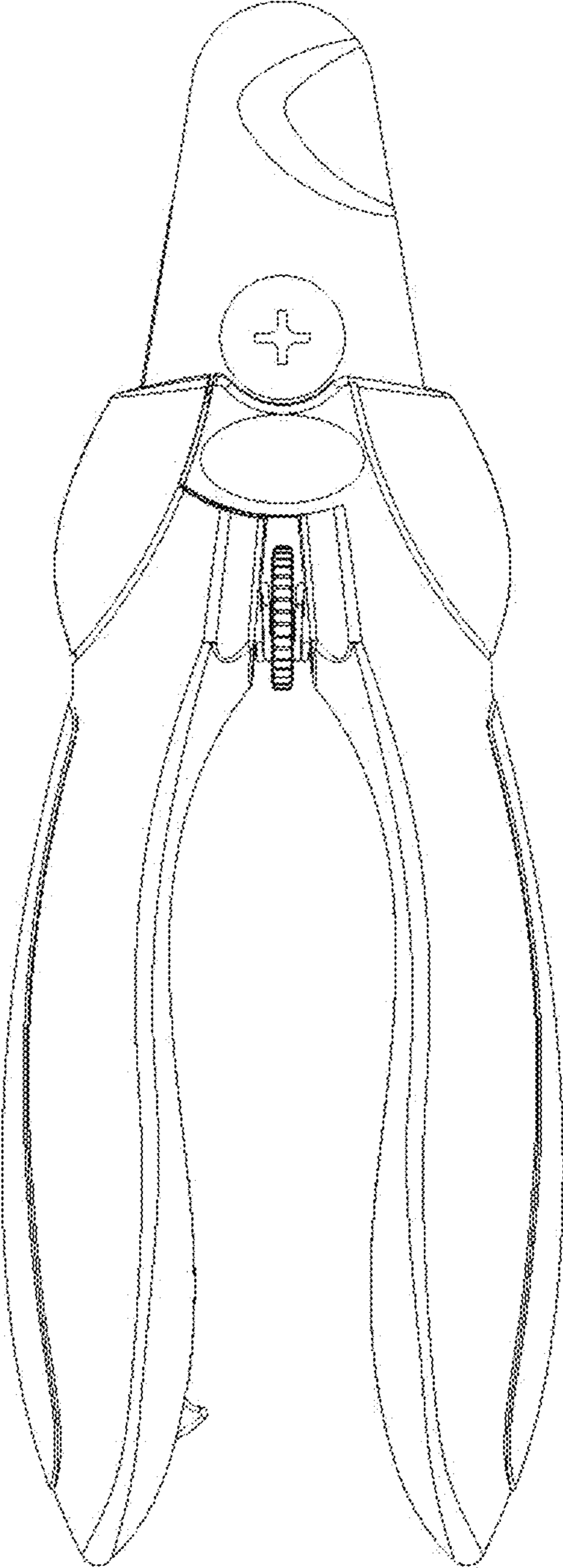


Figure 2

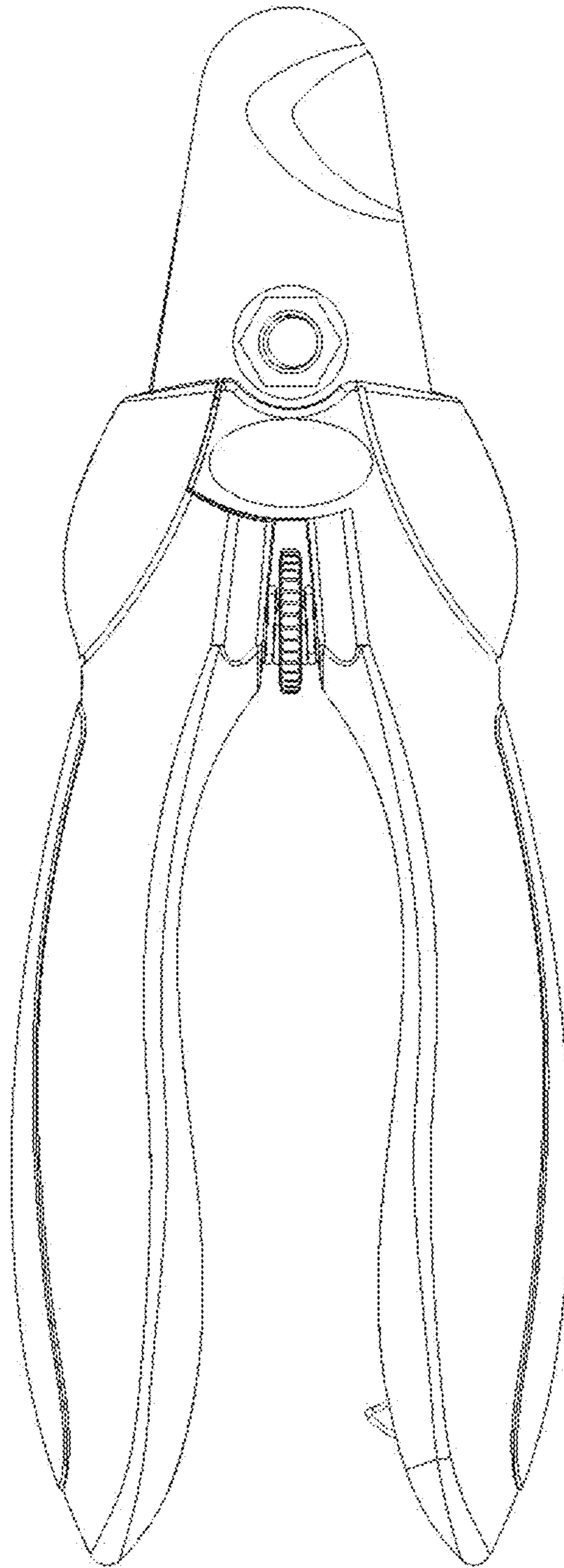


Figure 3



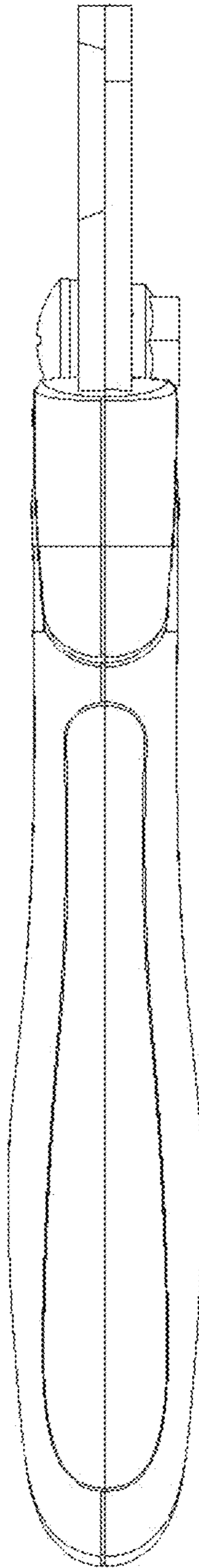


Figure 4

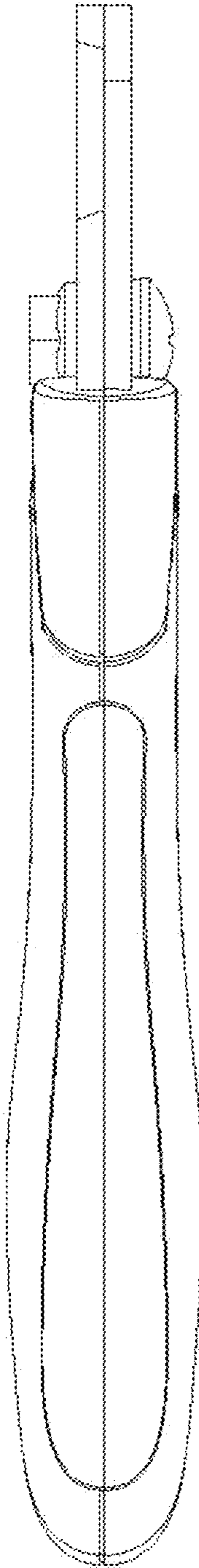


Figure 5

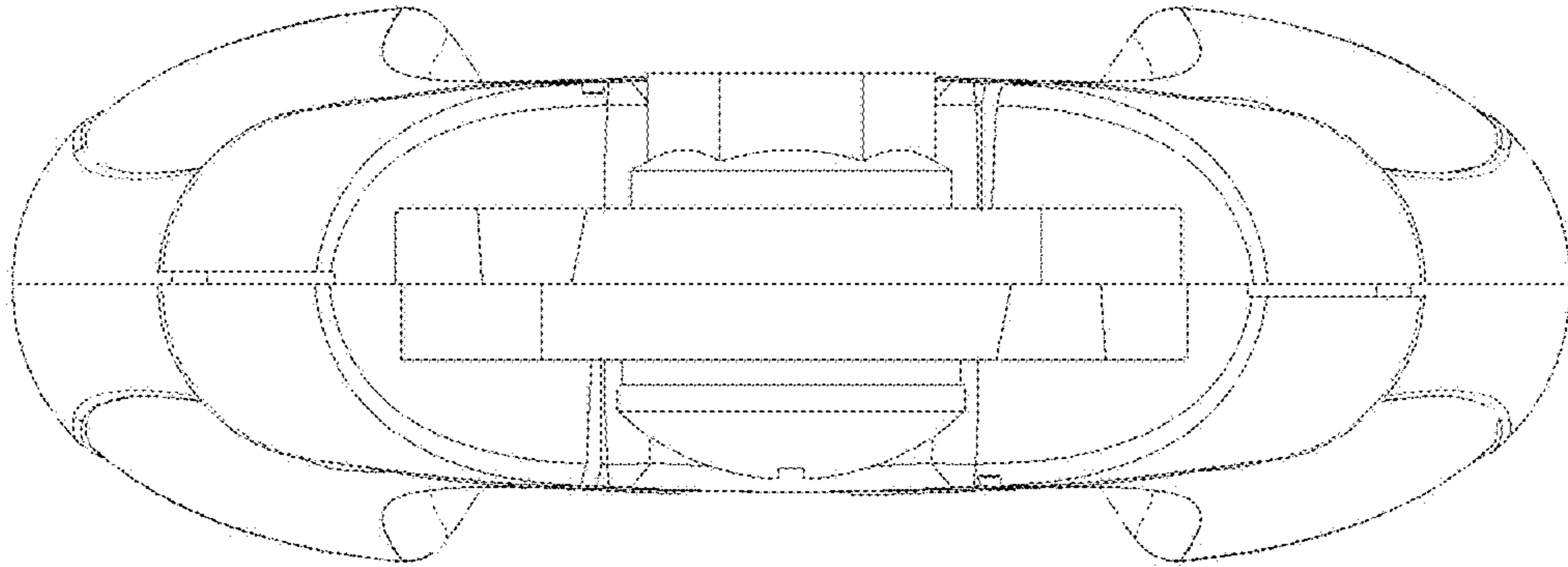


Figure 6

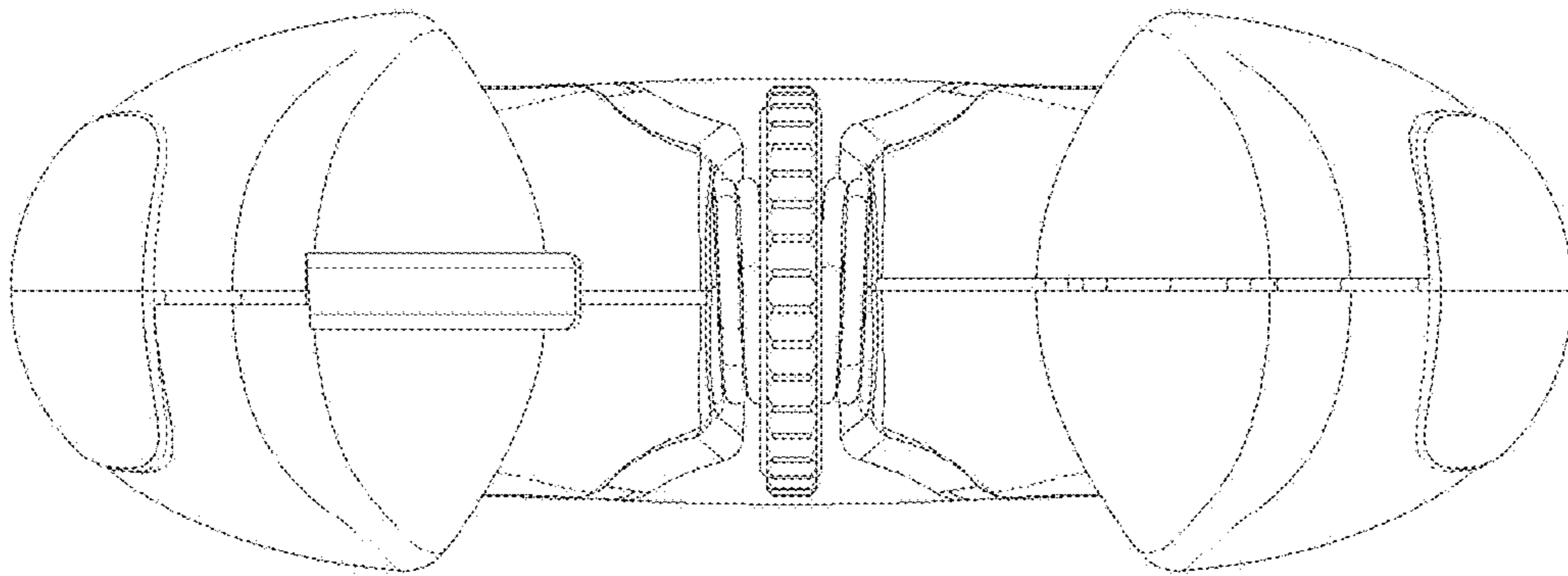


Figure 7