



(12) **United States Design Patent** (10) **Patent No.:** **US D855,902 S**
Bevis (45) **Date of Patent:** **** Aug. 6, 2019**

(54) **ANIMAL GARMENT**

- (71) Applicant: **Michael Bevis**, Denver, CO (US)
 (72) Inventor: **Michael Bevis**, Denver, CO (US)
 (**) Term: **15 Years**
 (21) Appl. No.: **29/608,087**
 (22) Filed: **Jun. 19, 2017**
 (51) **LOC (12) Cl.** **30-01**
 (52) **U.S. Cl.**
 USPC **D30/145**
 (58) **Field of Classification Search**
 USPC D30/119, 136, 137, 138, 139, 144, 145,
 D30/146, 151, 152, 153, 154, 158, 160,
 D30/199, 161, 108, 117; D2/627, 719,
 D2/860, 864, 909; D3/215, 217, 231,
 D3/327, 11, 17, 201, 203.1, 207, 218;
 D29/101.1, 101.3, 101.4, 101.5, 110;
 D24/190, 192; D8/349, 354; 119/627,
 119/654, 712, 769, 770, 792, 793, 795,
 119/802, 822, 828, 831, 821, 850, 856,
 119/858, 863, 865, 868, 907, 747, 772,
 119/776, 780, 786, 787, 788, 797, 791;
 135/118; 49/169; D16/312
 CPC .. A01K 13/007; A01K 13/006; A01K 13/008;
 A01K 27/00; A01K 27/002; A01K
 27/004; A01K 25/00; A01K 15/04; A01K
 (Continued)

(56) **References Cited**

U.S. PATENT DOCUMENTS

- 1,926,420 A * 9/1933 Renfro A01K 13/006
 119/671
 2,974,635 A * 3/1961 McDowell A01K 13/006
 119/854

(Continued)

FOREIGN PATENT DOCUMENTS

- CN 304410268 * 12/2017
 WO WO D084238-003 * 9/2014

OTHER PUBLICATIONS

Top 10 Winter Weather Tips for Pets, Great Plains SPCA, <http://www.greatplainspca.org/top-10-winter-weather-tips-pets/> (last accessed Apr. 6, 2017).

Primary Examiner — Barbara Fox

Assistant Examiner — Mary C Ramirez

(74) *Attorney, Agent, or Firm* — Gary L. Eastman, Esq.;
 Eastman McCartney Dallmann LLP

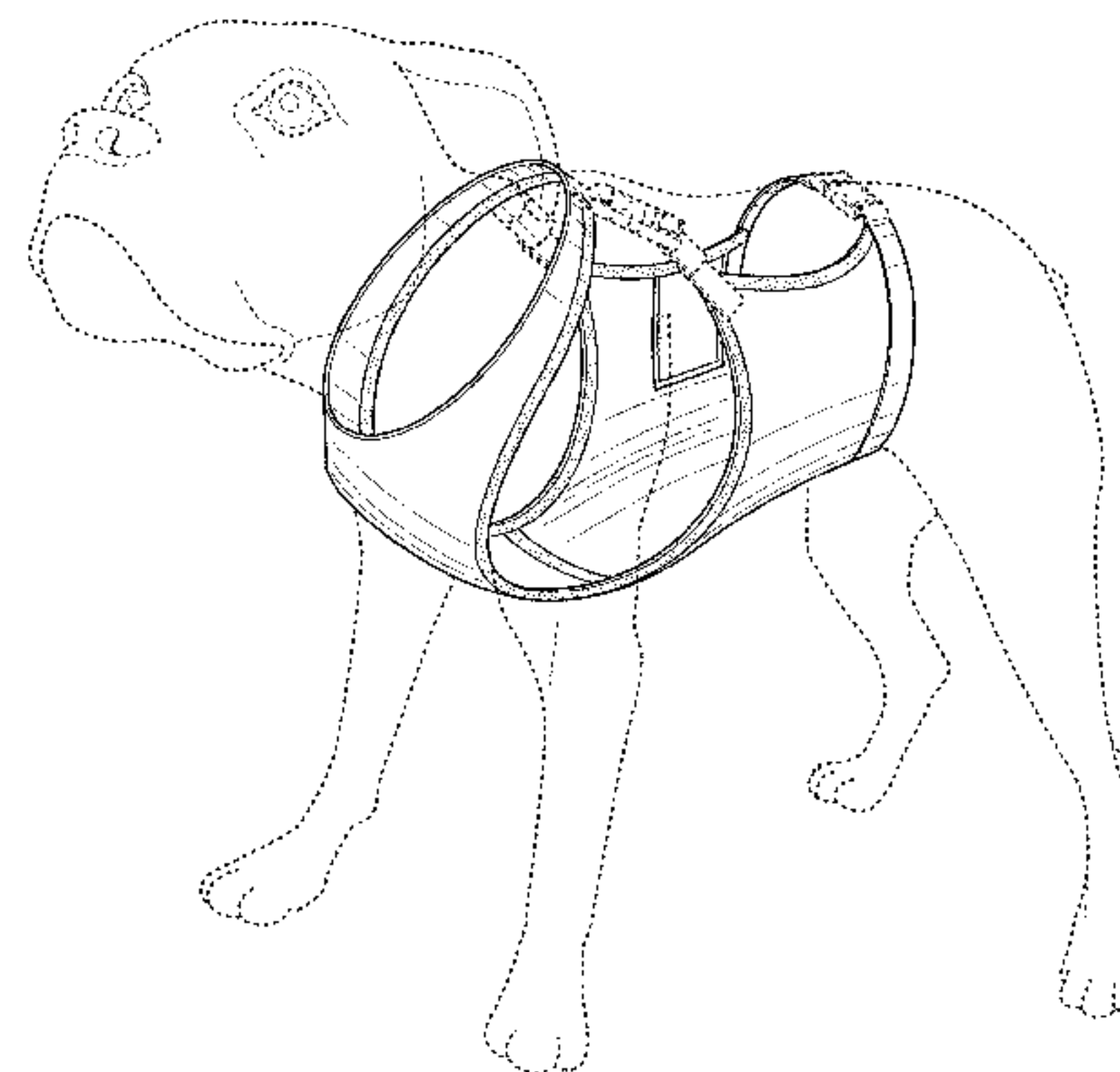
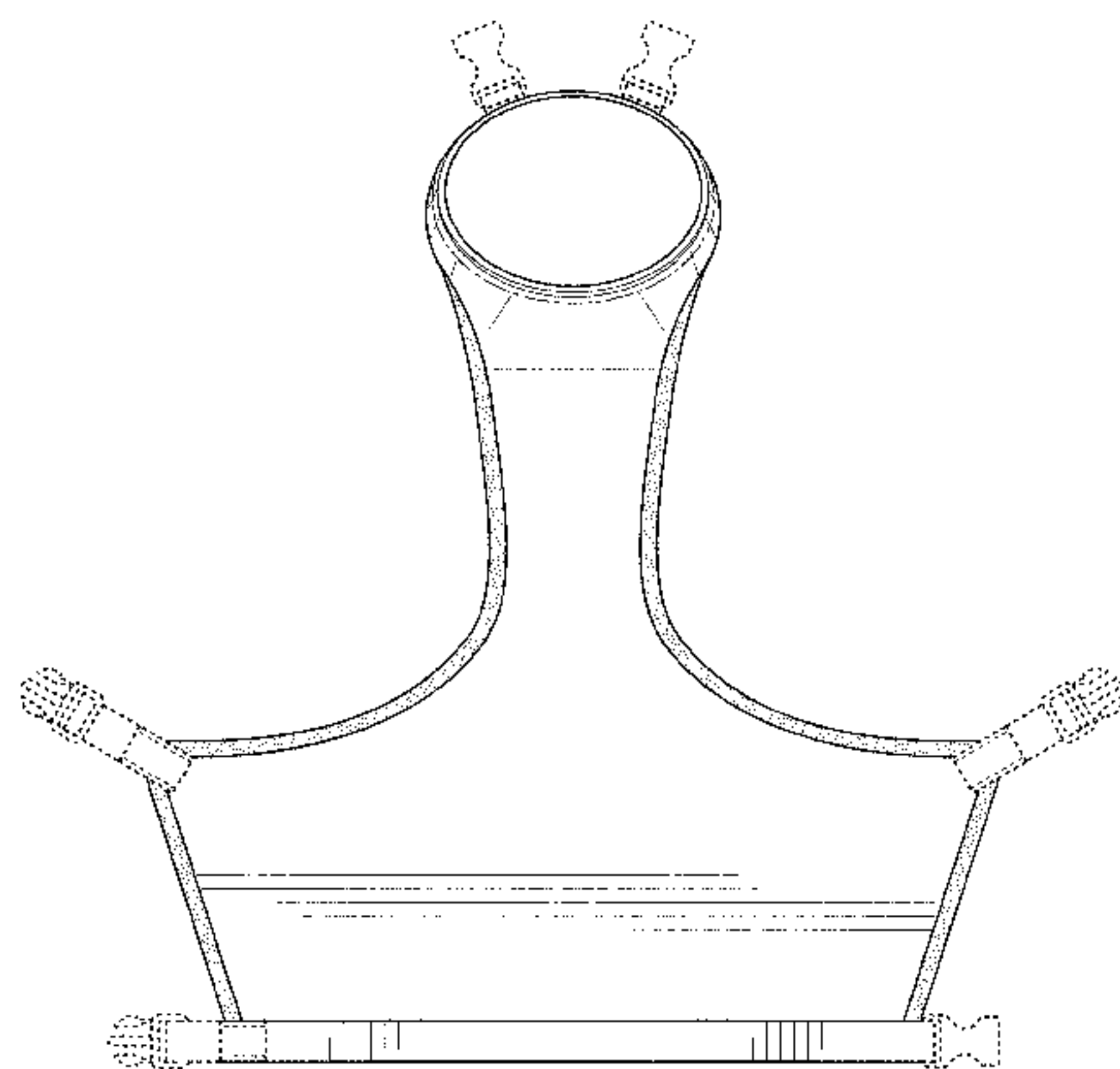
(57) **CLAIM**

The ornamental design for an animal garment, as shown and described.

DESCRIPTION

FIG. 1 is a top-right perspective view of an animal garment showing the new design;
 FIG. 2 is a rear elevational view thereof;
 FIG. 3 is a front elevational view thereof;
 FIG. 4 is a right side elevational view thereof;
 FIG. 5 is a left side elevational view thereof;
 FIG. 6 is a top plan view thereof;
 FIG. 7 is a bottom plan view thereof;
 FIG. 8 is a top-right perspective view of an animal garment of FIG. 1 in a secured configuration for use with an animal;
 FIG. 9 is a front elevational view of an animal garment in a secured second configuration;
 FIG. 10 is a rear elevational view thereof;
 FIG. 11 is a right side elevational view thereof;
 FIG. 12 is a left side elevational view thereof;
 FIG. 13 is a top plan view thereof; and,
 FIG. 14 is a bottom plan view thereof.
 The broken lines shown in the drawings depict portions of the animal garment that form no part of the claimed design. The broken lines in FIG. 8 showing a dog depict environment and form no part of the claimed design.

1 Claim, 9 Drawing Sheets



US D855,902 S

Page 2

(58) **Field of Classification Search**

CPC .. 27/005; A01K 27/006; A01K 27/008; A41B
13/06; A61F 11/12; A61D 9/00; A61D
1/04; B68B 1/02; E06B 7/32
See application file for complete search history.

(56) **References Cited**

U.S. PATENT DOCUMENTS

4,355,600 A * 10/1982 Zielinski A61D 9/00
119/850
5,913,285 A * 6/1999 Pritchard A01K 27/002
119/769
D427,734 S * 7/2000 Balzarini D30/145
7,918,192 B1 * 4/2011 Digh A01K 13/006
119/850
D664,311 S * 7/2012 Tacker-Betancourt D30/144
D677,021 S * 2/2013 Blizzard A61D 9/00
D30/145
D677,841 S * 3/2013 Gibbs D30/152
D681,287 S * 4/2013 Collignon D30/144
D688,011 S * 8/2013 Gee D30/152

D802,854 S * 11/2017 Caruso D30/145
2006/0288959 A1 * 12/2006 Schantz A01K 13/006
119/792
2008/0110414 A1 * 5/2008 Buehner A01K 13/006
119/712
2010/0263602 A1 * 10/2010 Cho A01K 27/002
119/792
2011/0174237 A1 * 7/2011 Sanders-Luckman
A01K 13/006
119/792
2011/0308479 A1 * 12/2011 Kuo A01K 27/002
119/792
2013/0128556 A1 * 5/2013 Brauser A01K 27/006
362/108
2014/0230754 A1 * 8/2014 McGraw A01K 13/006
119/855
2015/0114312 A1 * 4/2015 Cacopardo A01K 13/006
119/850
2017/0013804 A1 * 1/2017 Fachner, Sr. A01K 13/006
2017/0099807 A1 * 4/2017 Northrop A01K 13/006
2017/0156295 A1 * 6/2017 Zoltanski A01K 23/00

* cited by examiner

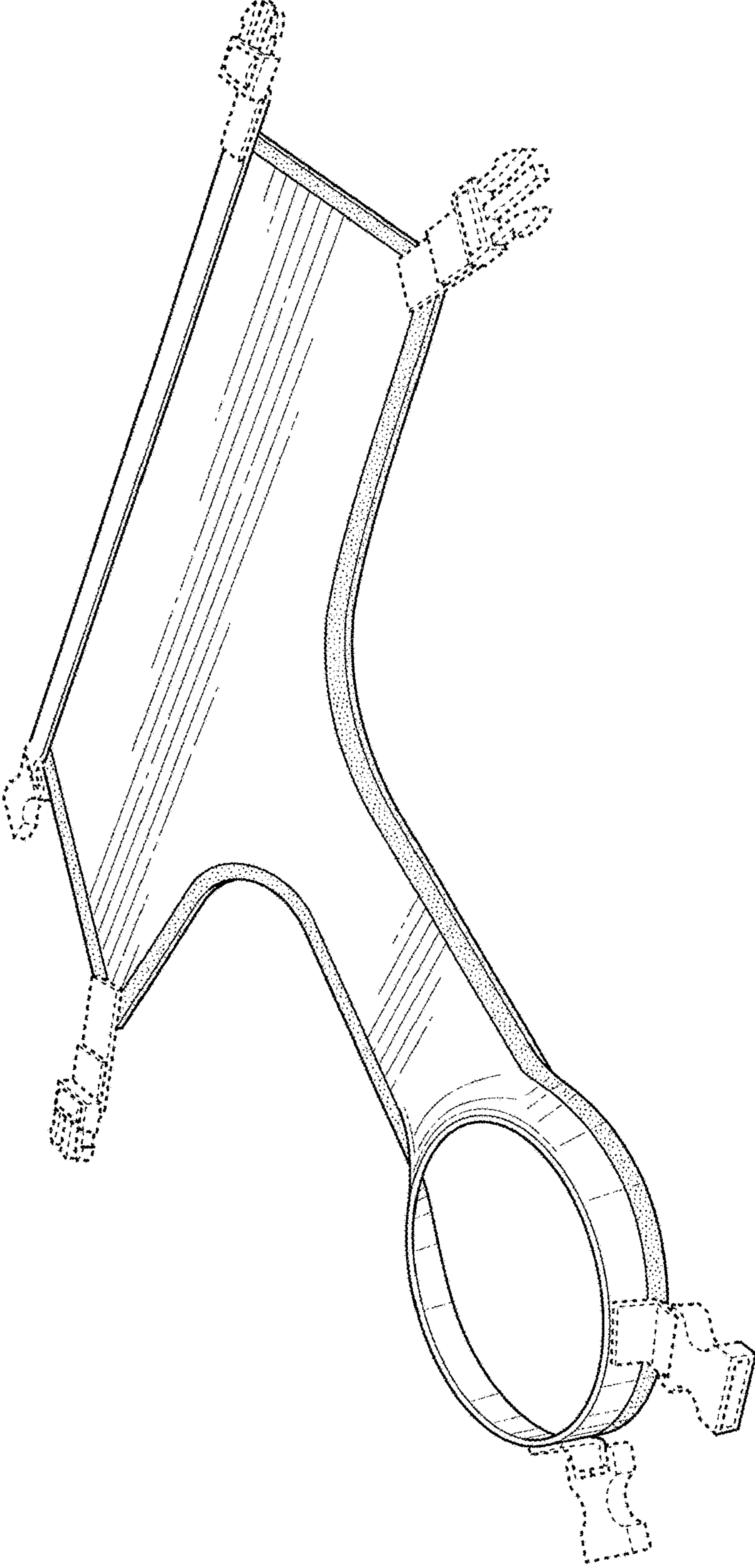


FIG. 1

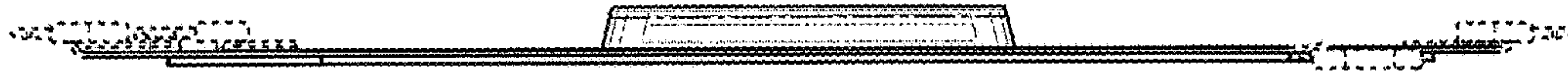


FIG. 2

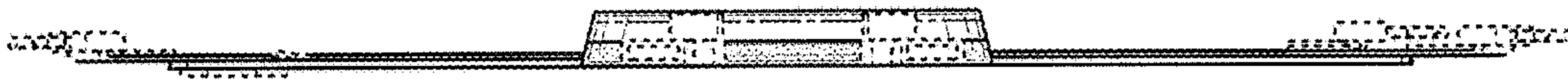


FIG. 3



FIG. 4



FIG. 5

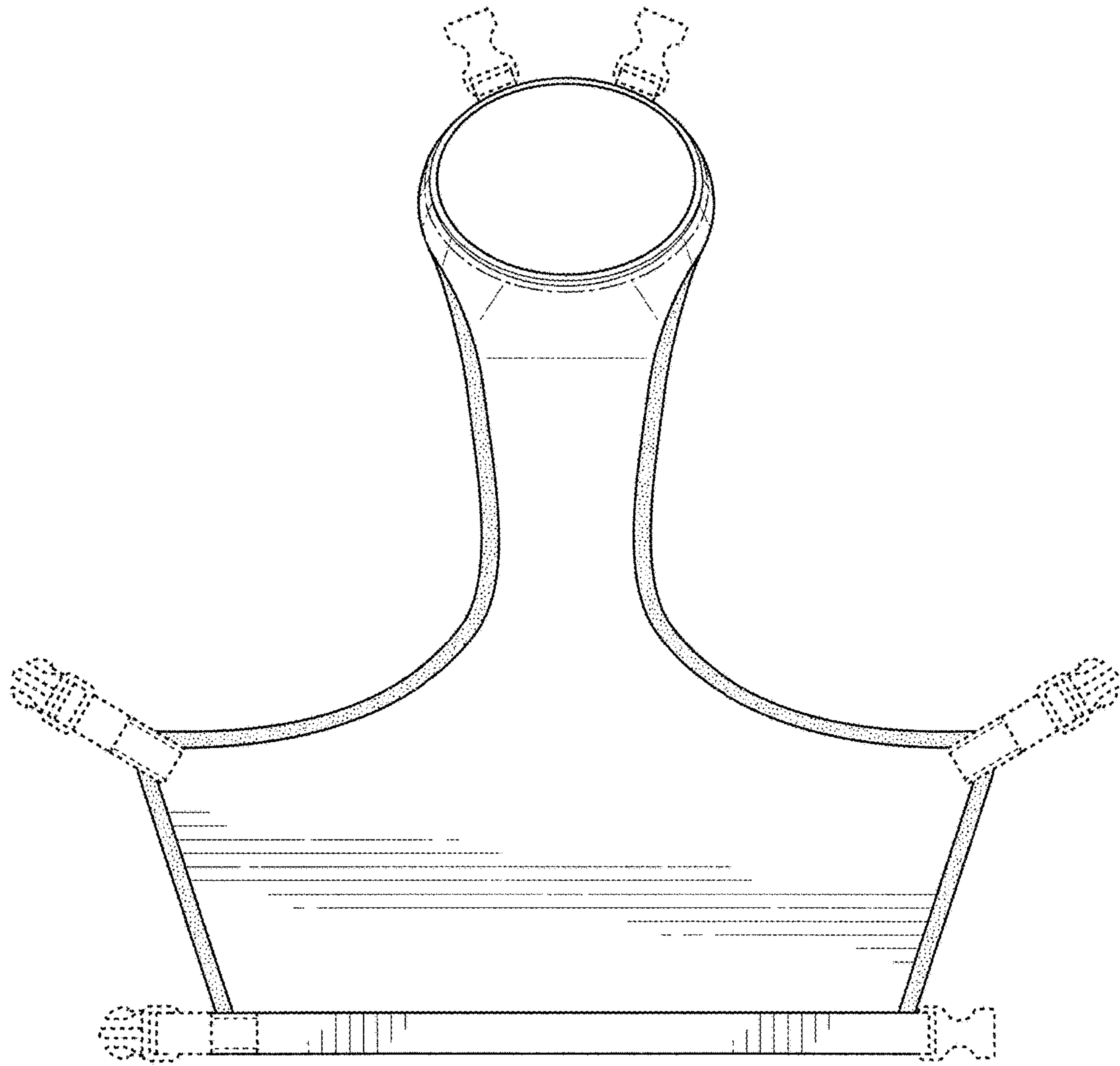


FIG. 6

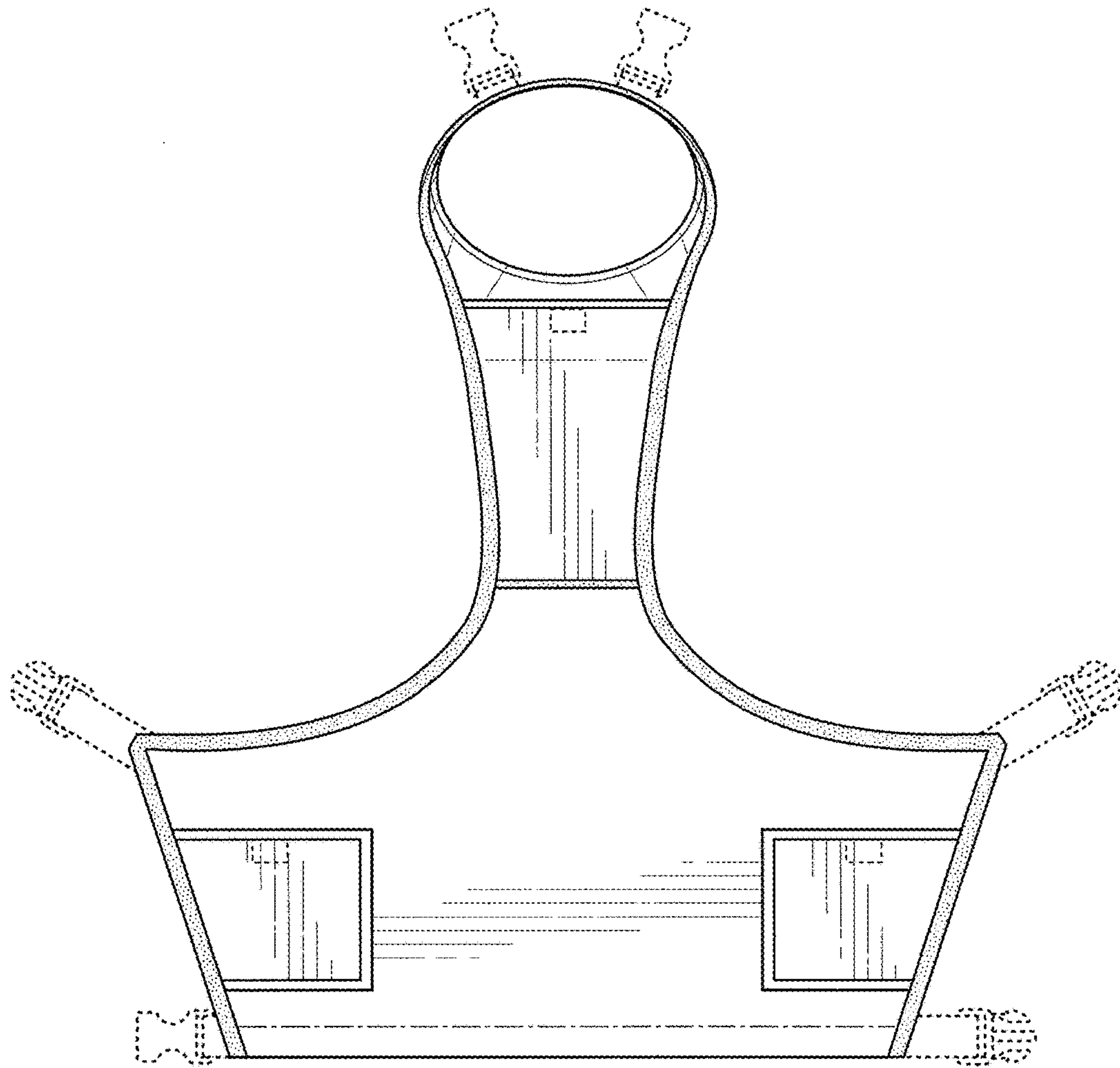


FIG. 7

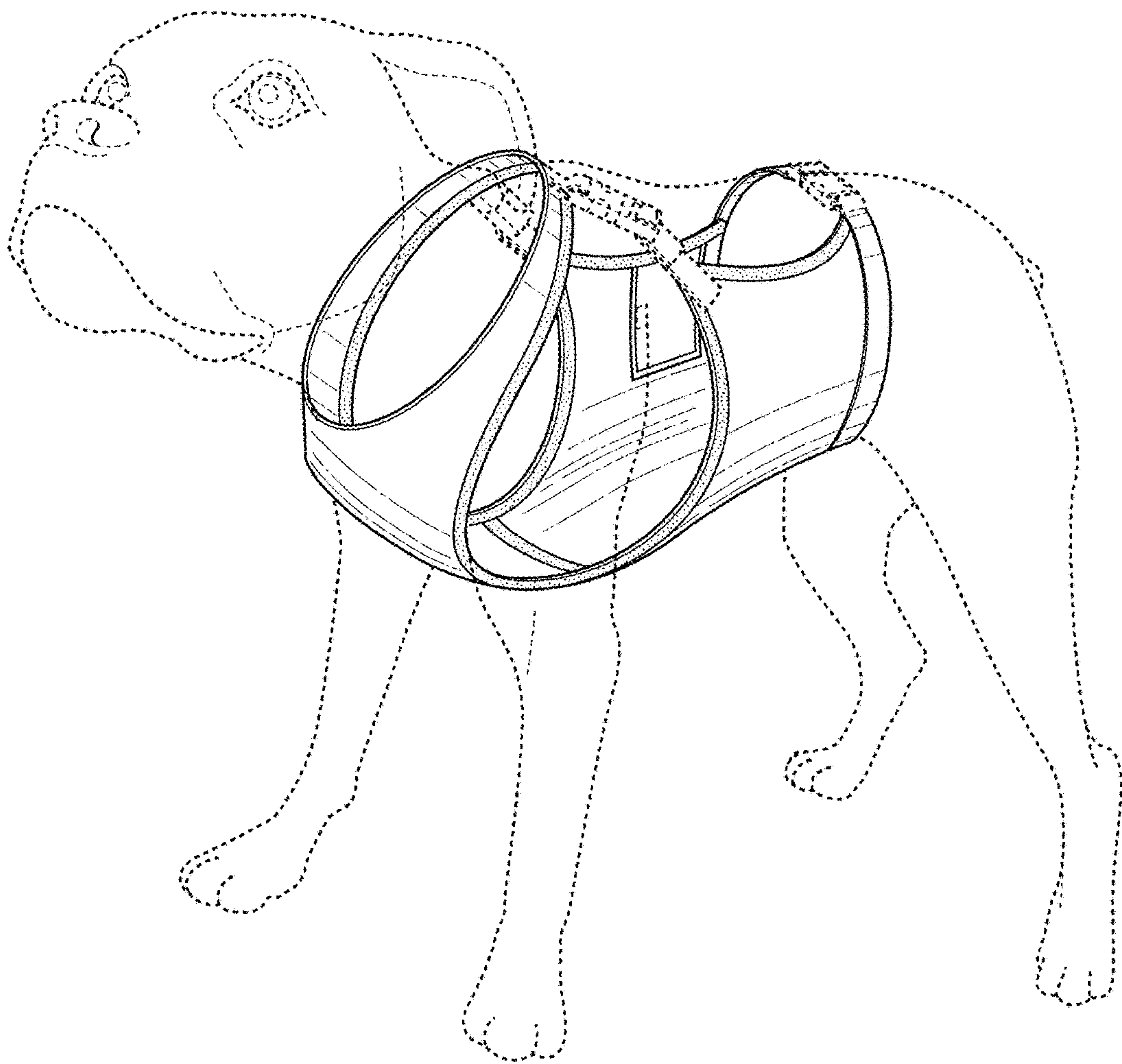


FIG. 8

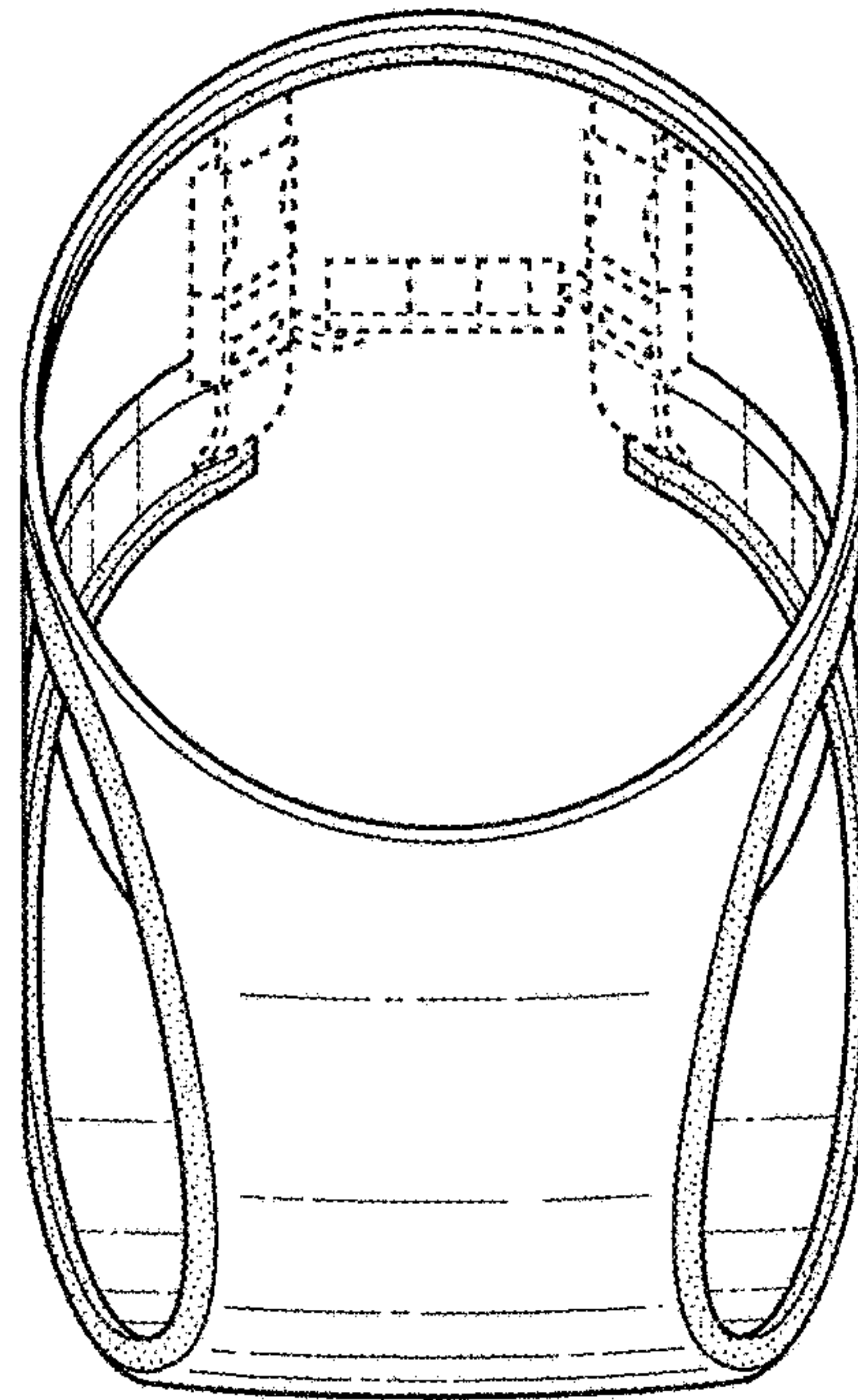


FIG. 9

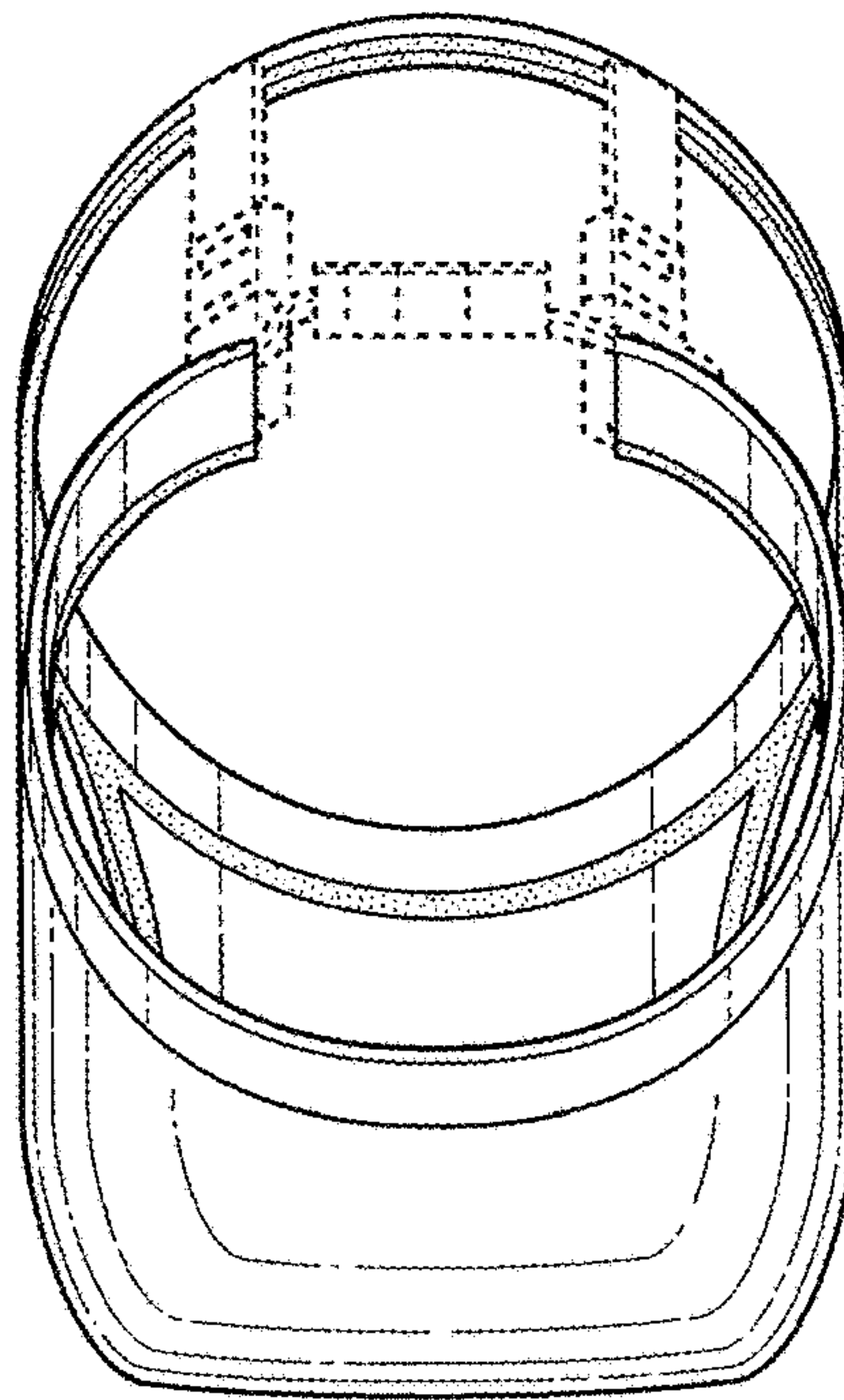


FIG. 10

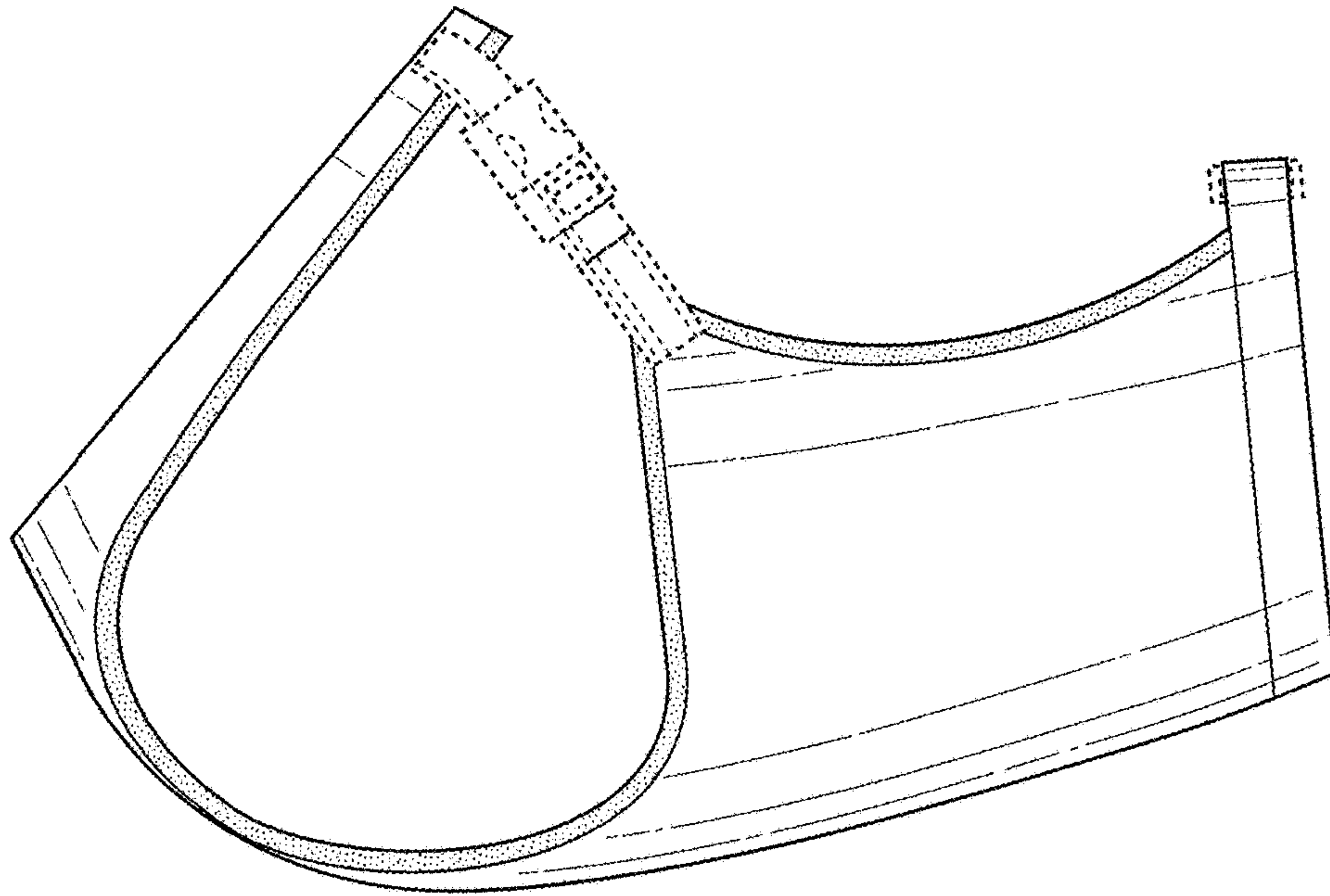


FIG. 11

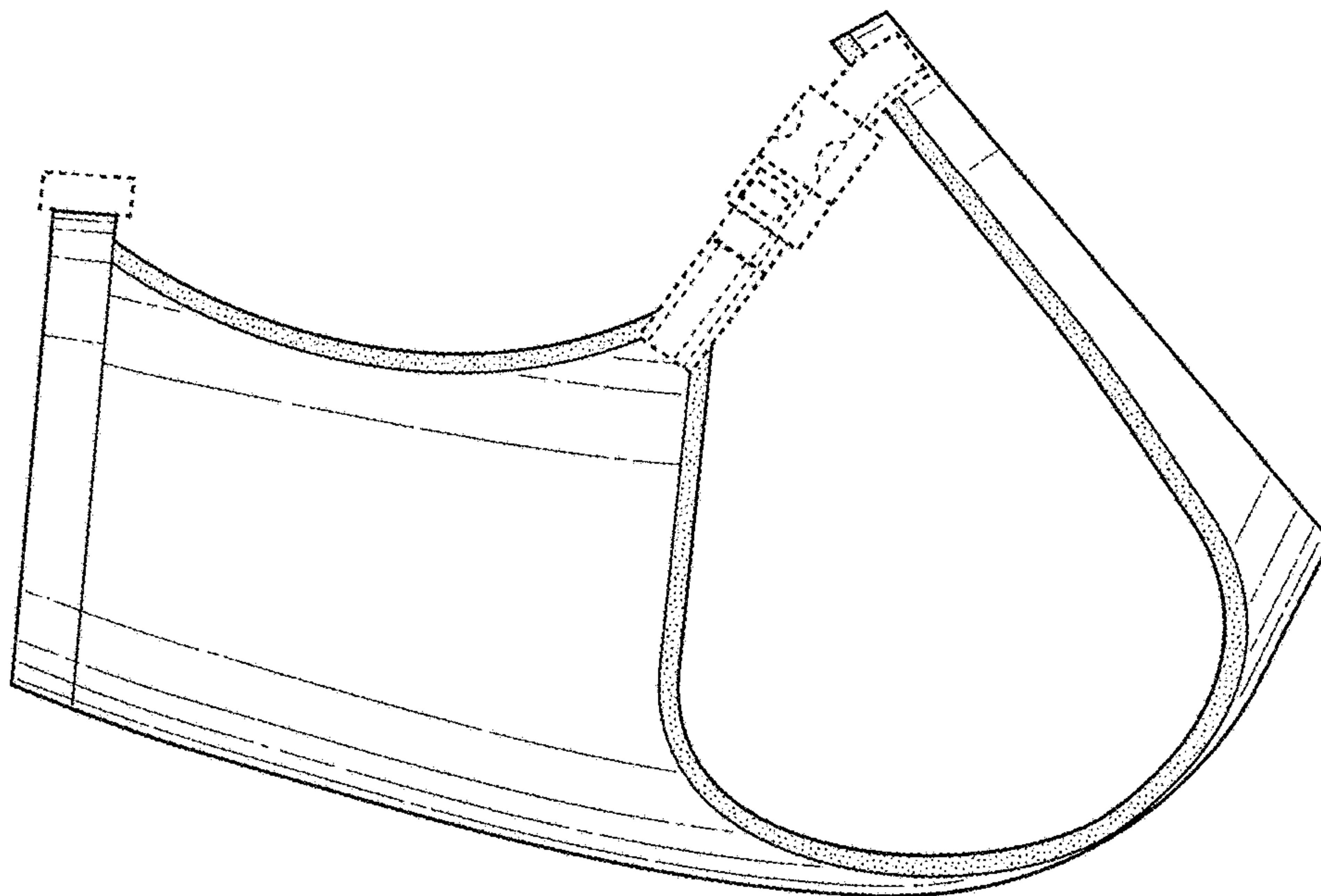


FIG. 12

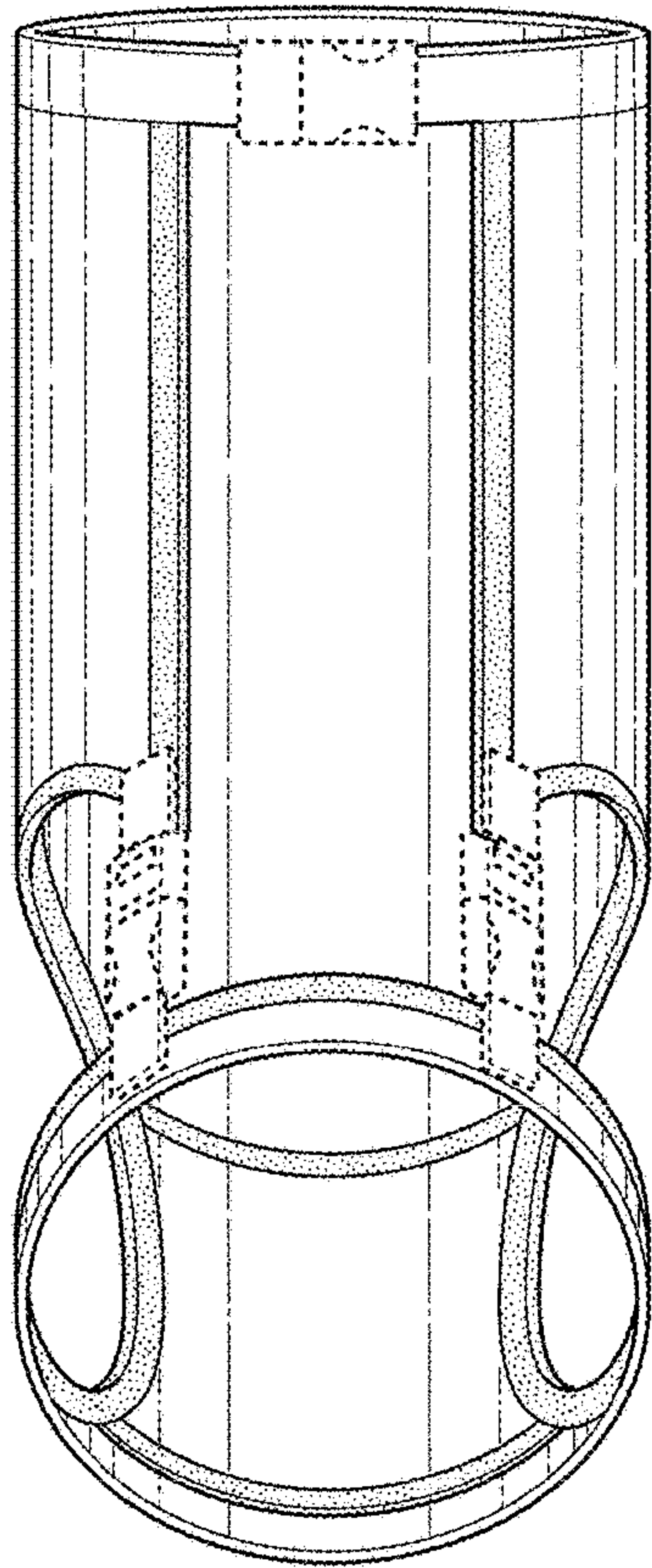


FIG. 13

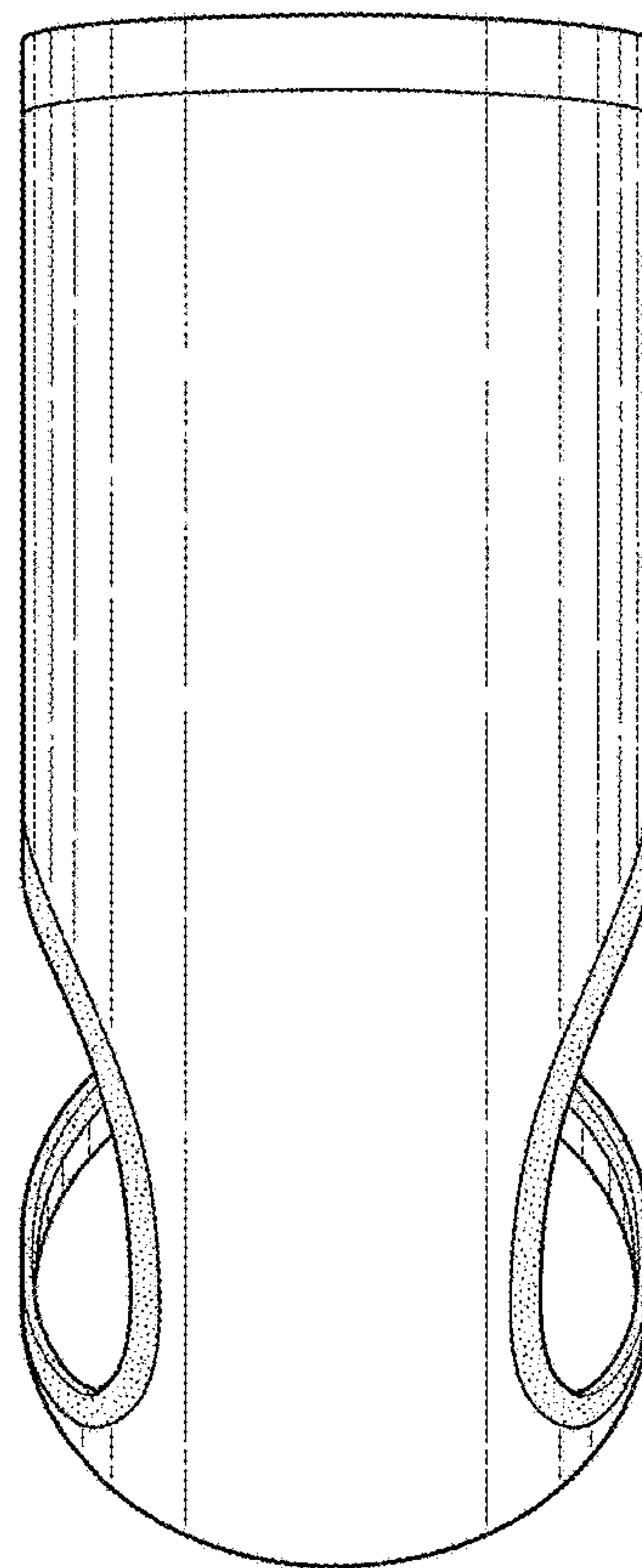


FIG. 14