



US00D855900S

(12) **United States Design Patent** (10) **Patent No.:** **US D855,900 S**  
**Lu** (45) **Date of Patent:** **\*\* Aug. 6, 2019**

(54) **PET CARRIER**

(71) Applicant: **Kongzhi Lu**, Fujian (CN)

(72) Inventor: **Kongzhi Lu**, Fujian (CN)

(73) Assignee: **Xiamen Sunnypet Products Co., Ltd.**,  
Xiamen, Fujian (CN)

(\*\*) Term: **15 Years**

(21) Appl. No.: **29/637,486**

(22) Filed: **Feb. 19, 2018**

(30) **Foreign Application Priority Data**

Oct. 24, 2017 (CN) ..... 2017 3 0508435

(51) **LOC (12) Cl.** ..... **30-02**

(52) **U.S. Cl.**  
USPC ..... **D30/109**

(58) **Field of Classification Search**  
USPC ..... D30/108-120; D3/201, 203.1, 203.6,  
D3/203.7, 213, 216, 217, 232, 235, 242,  
D3/243, 245-246, 273, 276, 269, 271.2,  
D3/274, 283, 289-290, 301, 303, 900,  
D3/902, 904

CPC ... A01K 1/00; A01K 1/01; A01K 1/02; A01K  
1/03; A01K 31/00; A01K 31/06; A01K  
31/07; A01K 31/08; A01K 31/14; A01K  
31/18; A01K 5/00; A01K 29/00; A47K  
11/02; A45C 3/00; A45C 3/06; A45C  
2003/008; A45C 2003/007; A45F 3/00;  
A45F 3/04; A45F 3/02

See application file for complete search history.

(56) **References Cited**

U.S. PATENT DOCUMENTS

D387,508 S \* 12/1997 Van Engers ..... D30/109  
6,076,485 A \* 6/2000 Peeples ..... A01K 1/0254  
119/496

D499,514 S \* 12/2004 Doan ..... D30/108  
D524,995 S \* 7/2006 Dudas ..... D30/109  
D621,101 S \* 8/2010 Hu ..... D30/109  
D705,497 S \* 5/2014 Renforth ..... D30/108  
D707,896 S \* 6/2014 Renforth ..... D30/108  
D708,399 S \* 7/2014 Lipscomb ..... D30/108  
D713,605 S \* 9/2014 Lipscomb ..... D30/108  
D727,573 S \* 4/2015 Eisen ..... D30/109  
D753,347 S \* 4/2016 Lu ..... D30/109  
9,596,826 B2 \* 3/2017 Lu ..... A01K 1/033  
9,635,831 B2 \* 5/2017 Northrop ..... A01K 1/0254  
2003/0127059 A1 \* 7/2003 Smith, Jr. .... A01K 1/0254  
119/496  
2010/0313824 A1 \* 12/2010 Northrop ..... A01K 1/0254  
119/496

\* cited by examiner

*Primary Examiner* — Lilyana Bekic

*Assistant Examiner* — Aula Soroush

(74) *Attorney, Agent, or Firm* — Jen-Feng Lee, Esq.

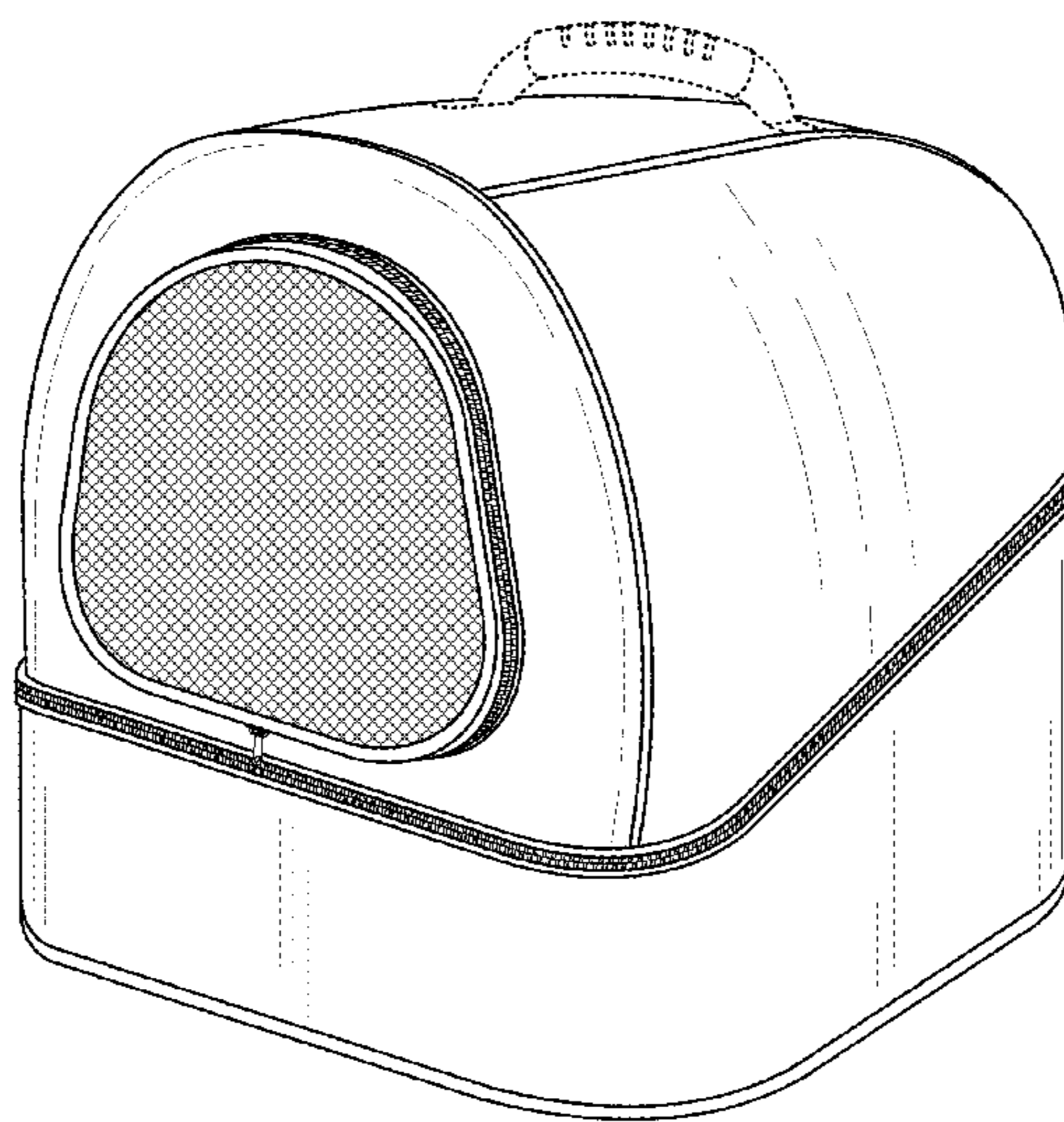
(57) **CLAIM**

I claim the ornamental design for a pet carrier, as shown and described.

**DESCRIPTION**

FIG. 1 is a perspective view of a pet carrier showing my new design,  
FIG. 2 is a front elevation view thereof,  
FIG. 3 is a rear elevation view thereof,  
FIG. 4 is a left side elevation view thereof,  
FIG. 5 is a right side elevation view thereof,  
FIG. 6 is a top plan view thereof; and,  
FIG. 7 is a bottom plan view thereof.  
The broken lines depict portions of the pet carrier and form no part of the claimed design.

**1 Claim, 7 Drawing Sheets**



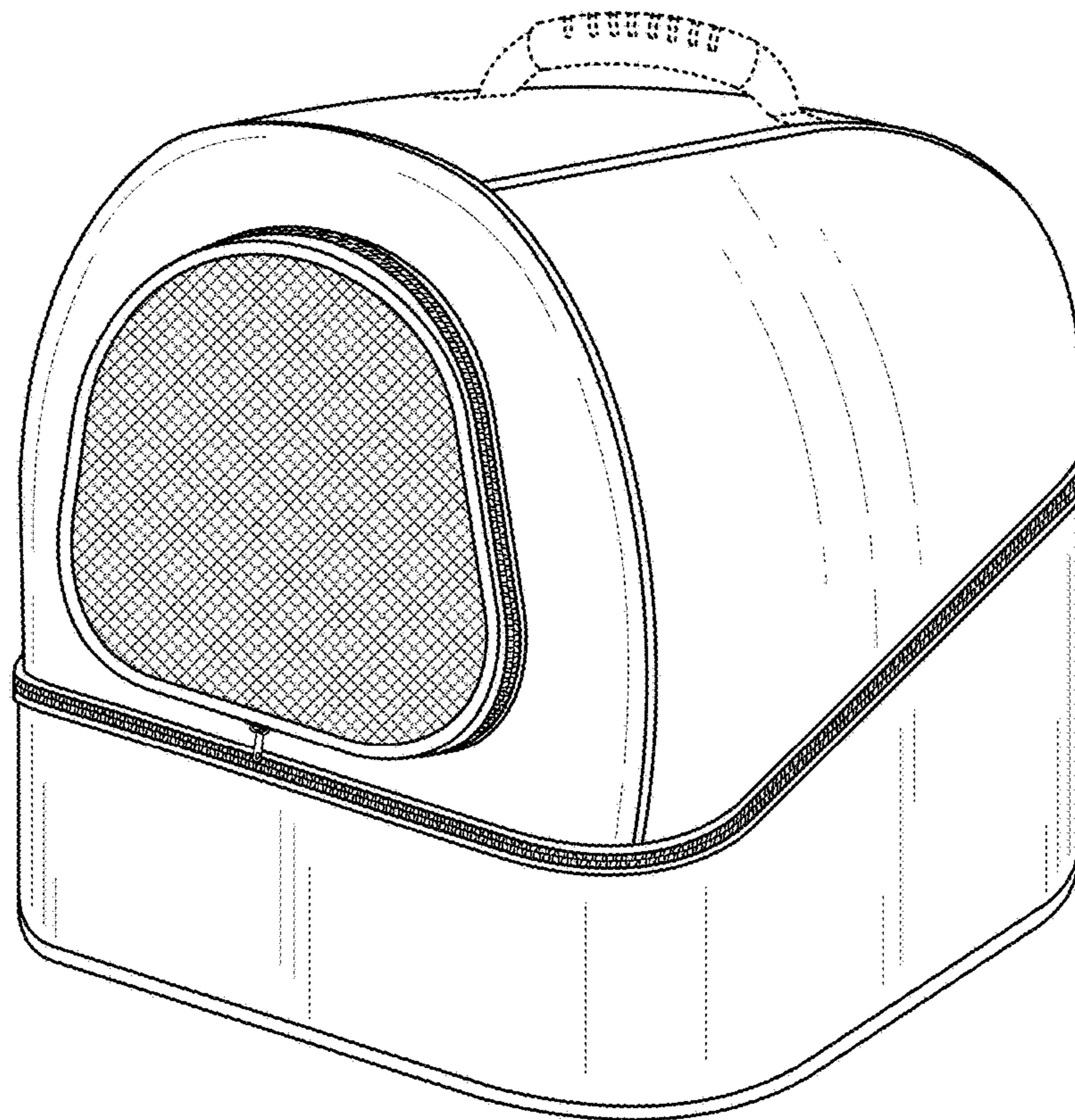


FIG. 1

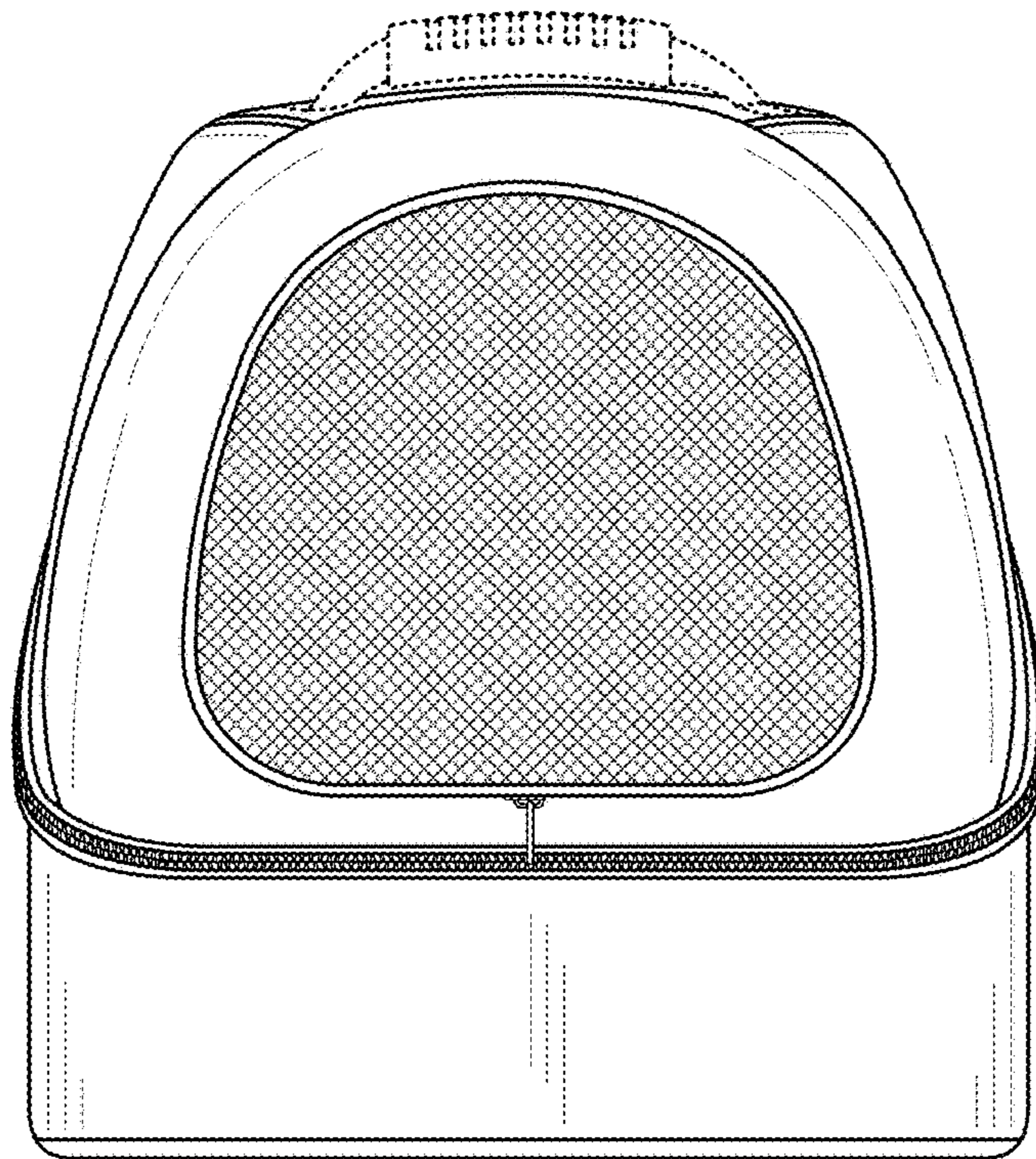


FIG. 2

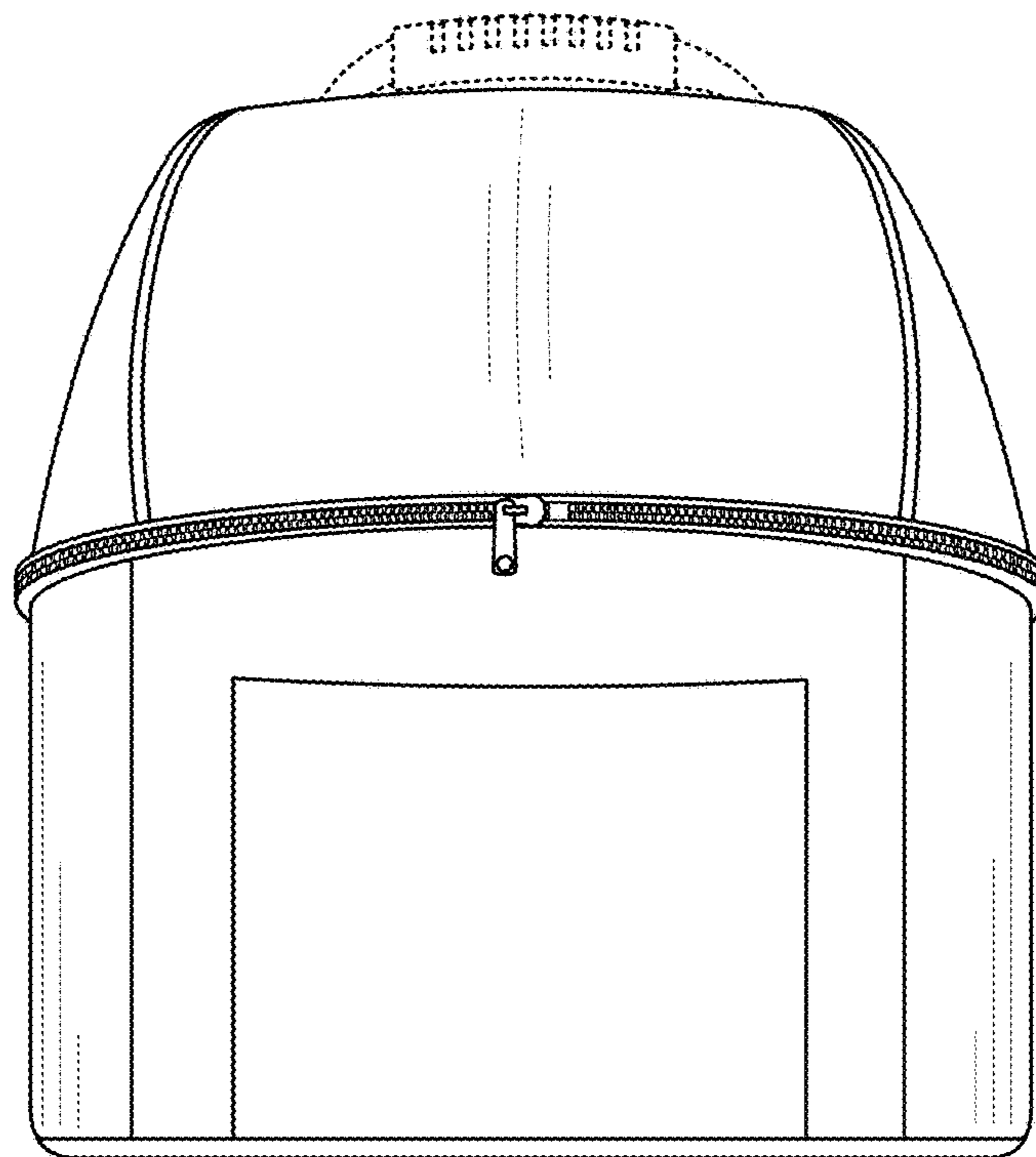


FIG. 3

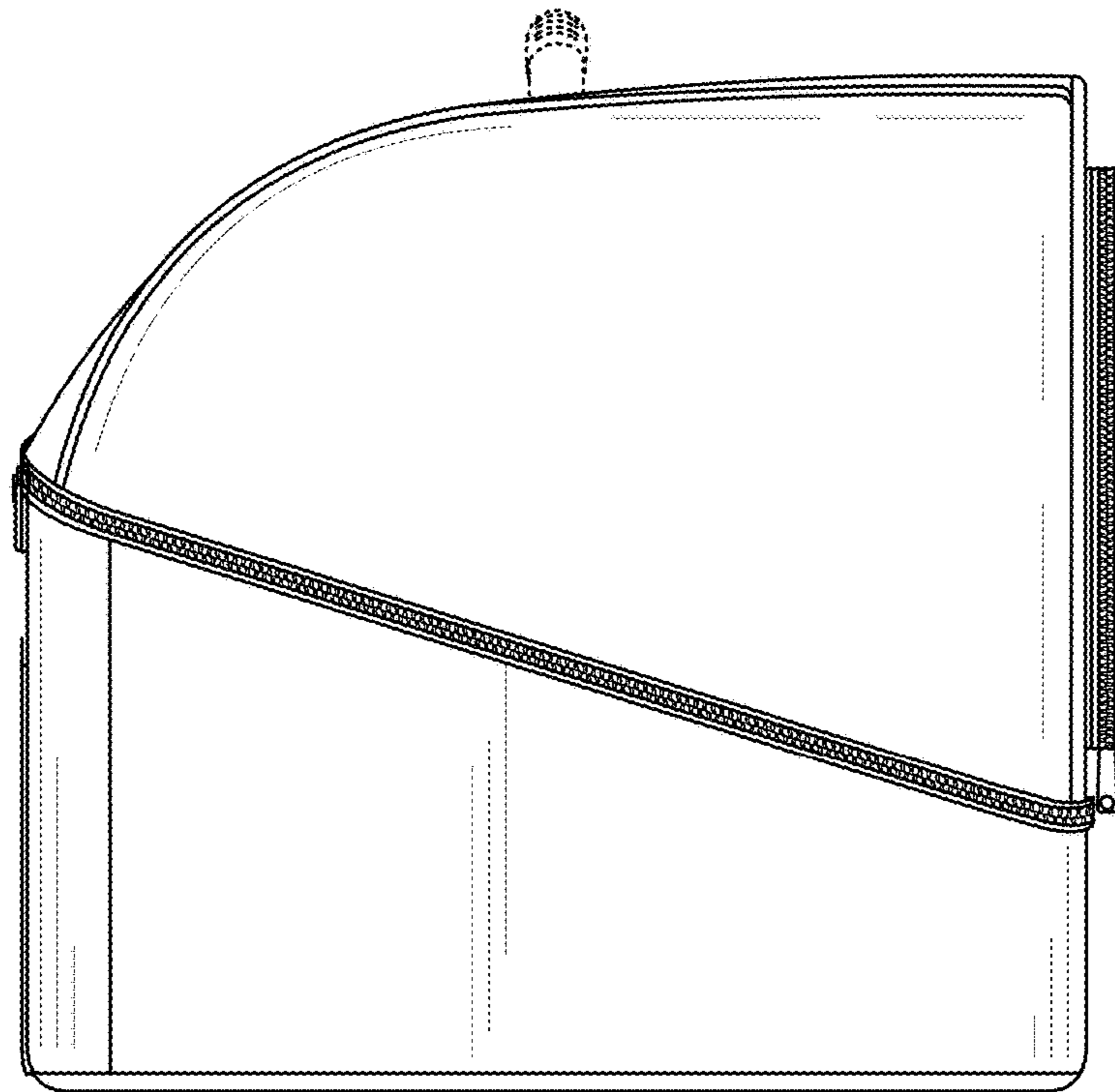


FIG. 4

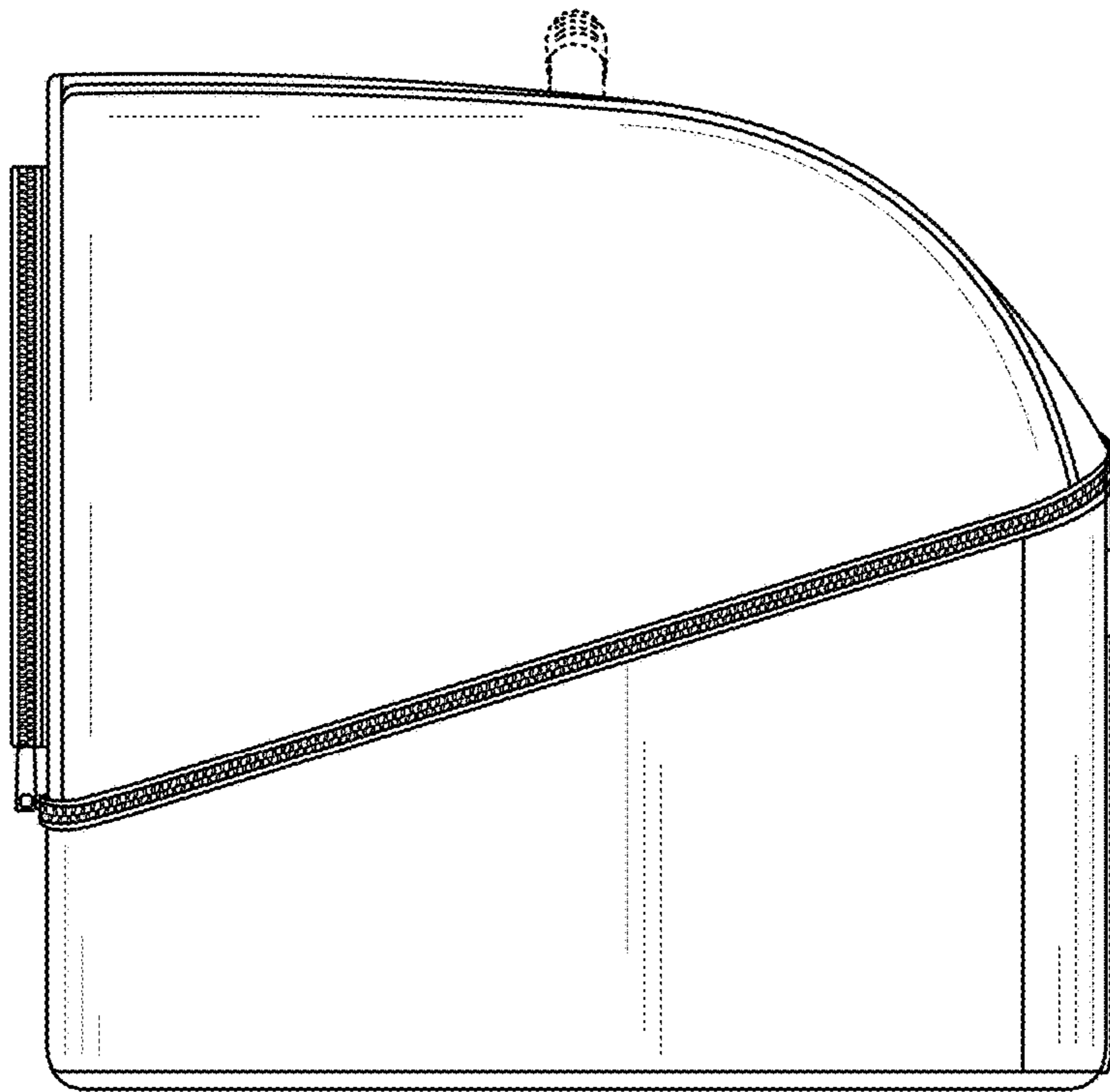


FIG. 5

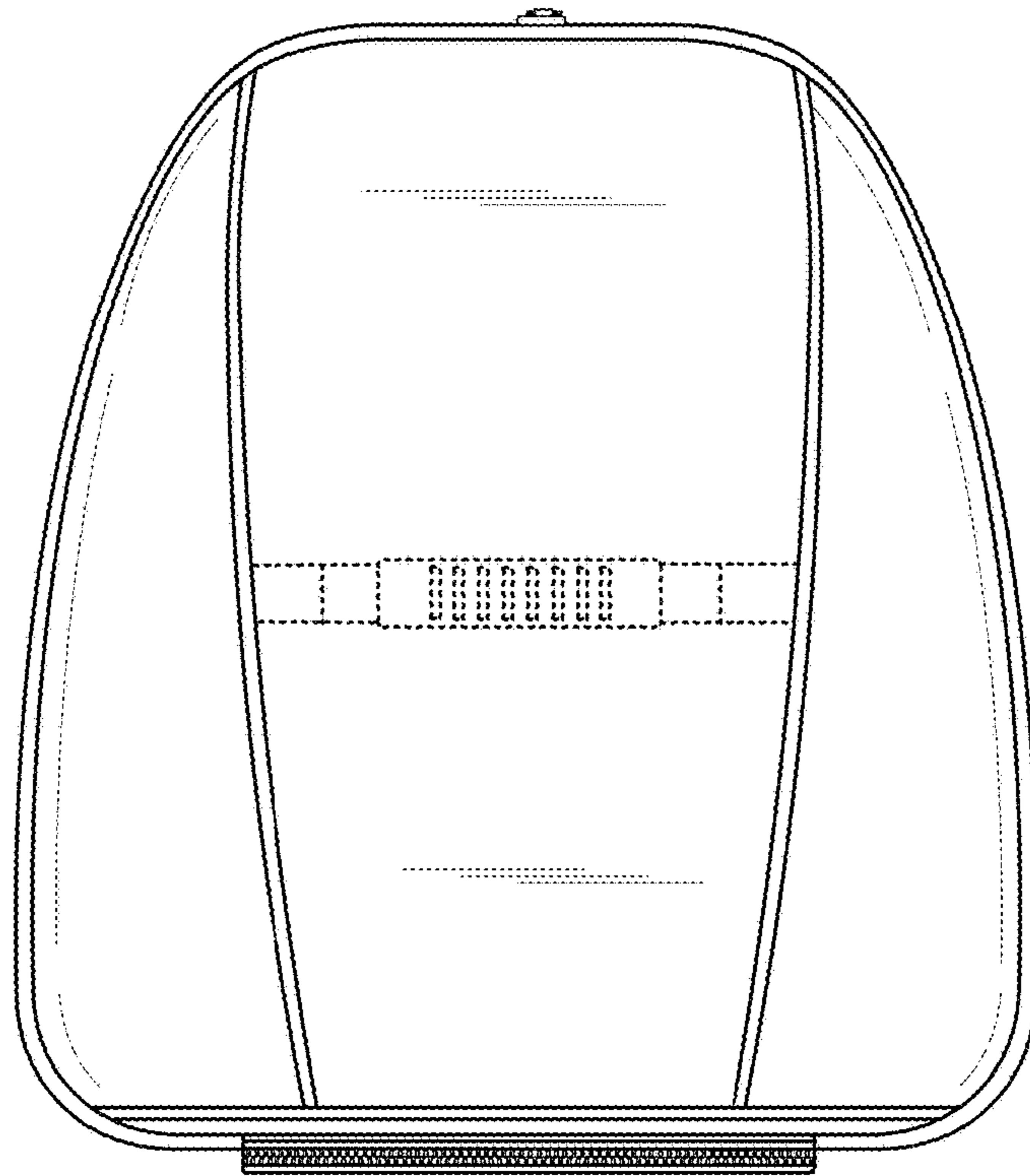


FIG. 6

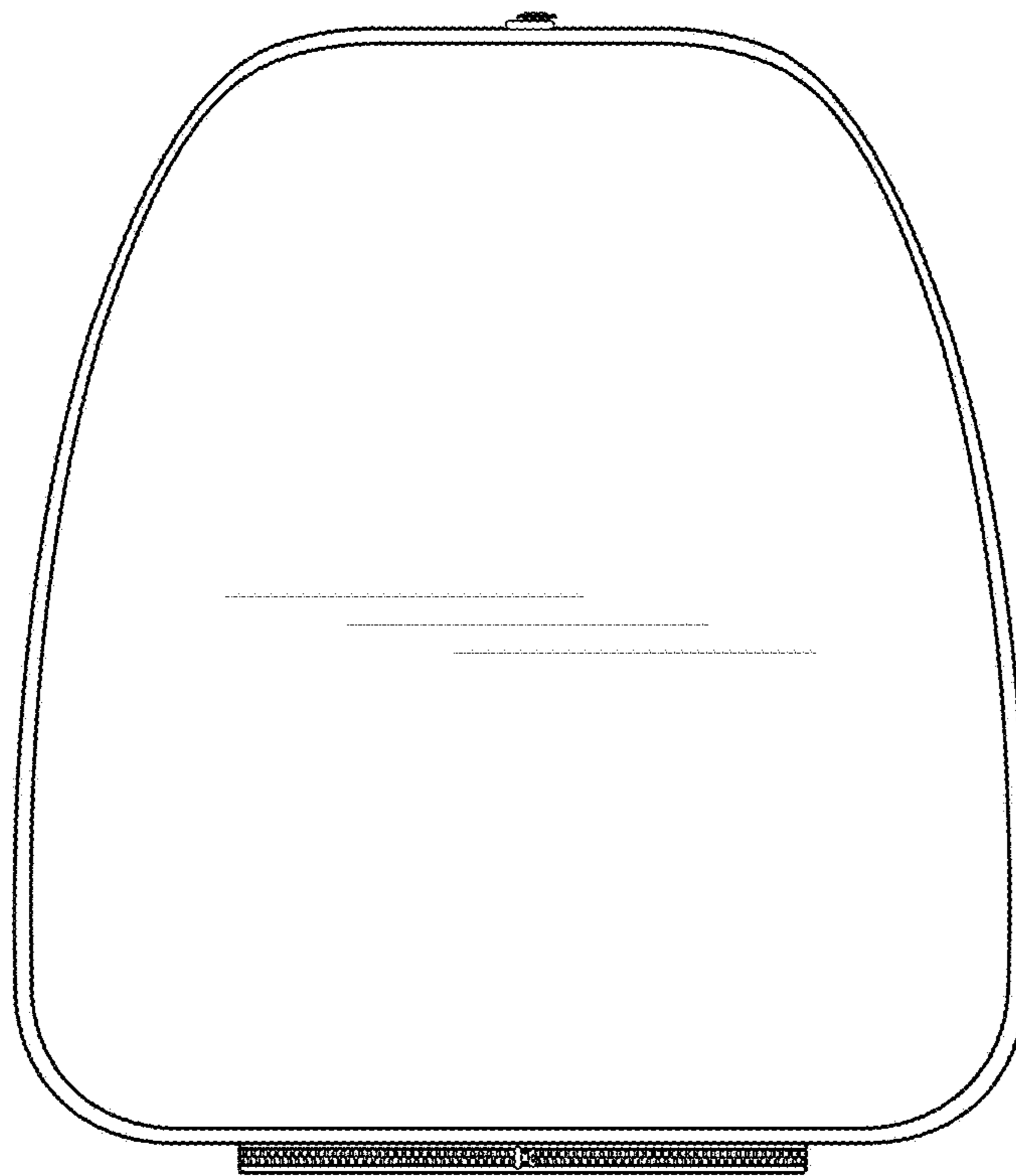


FIG. 7