



US00D855899S

(12) **United States Design Patent** (10) **Patent No.:** **US D855,899 S**
Jakubowski et al. (45) **Date of Patent:** **** Aug. 6, 2019**

(54) **PET STROLLER**
(71) Applicant: **Vermont Juvenile Furniture Mfg., Inc., West Rutland, VT (US)**
(72) Inventors: **Chris Jakubowski, Rutland, VT (US); Todd Jakubowski, Rutland, VT (US); Kristen Jakubowski, Rutland, VT (US)**
(73) Assignee: **Vermont Juvenile Furniture Mfg., Inc., West Rutland, VT (US)**
(**) Term: **15 Years**

D726,078 S * 4/2015 Liao D12/129
D742,792 S * 11/2015 Goldberg D12/129
D757,370 S 5/2016 Jakubowski
9,399,477 B2 * 7/2016 Ifinca B62B 7/06
D765,555 S 9/2016 Lai
D780,073 S 2/2017 Tsai
D782,370 S 3/2017 Pos
D789,252 S 6/2017 Qiu
D789,838 S 6/2017 Johan
D791,649 S 7/2017 Zhou
D793,914 S 8/2017 Eriksson
D795,140 S 8/2017 Butler
D801,592 S * 10/2017 Jakubowski D30/109
D802,489 S * 11/2017 Stiba D12/129
(Continued)

(21) Appl. No.: **29/608,650**
(22) Filed: **Jun. 23, 2017**
(51) **LOC (12) Cl.** **30-02**
(52) **U.S. Cl.**
USPC **D30/109**
(58) **Field of Classification Search**
USPC D30/108, 109; D21/433; D12/128, 129, D12/133; D34/12, 34, 27; 206/62, 206/647-650
CPC B62B 7/00; B62B 7/02; B62B 9/00; B62B 7/04; B62B 1/00; B62B 1/042; B62B 3/00
See application file for complete search history.

FOREIGN PATENT DOCUMENTS

CN 203450158 2/2014
CN 203920809 11/2014
(Continued)

Primary Examiner — Barbara Fox
Assistant Examiner — Mehri F Bajoul
(74) *Attorney, Agent, or Firm* — Volpe and Koenig, P.C.

(57) **CLAIM**

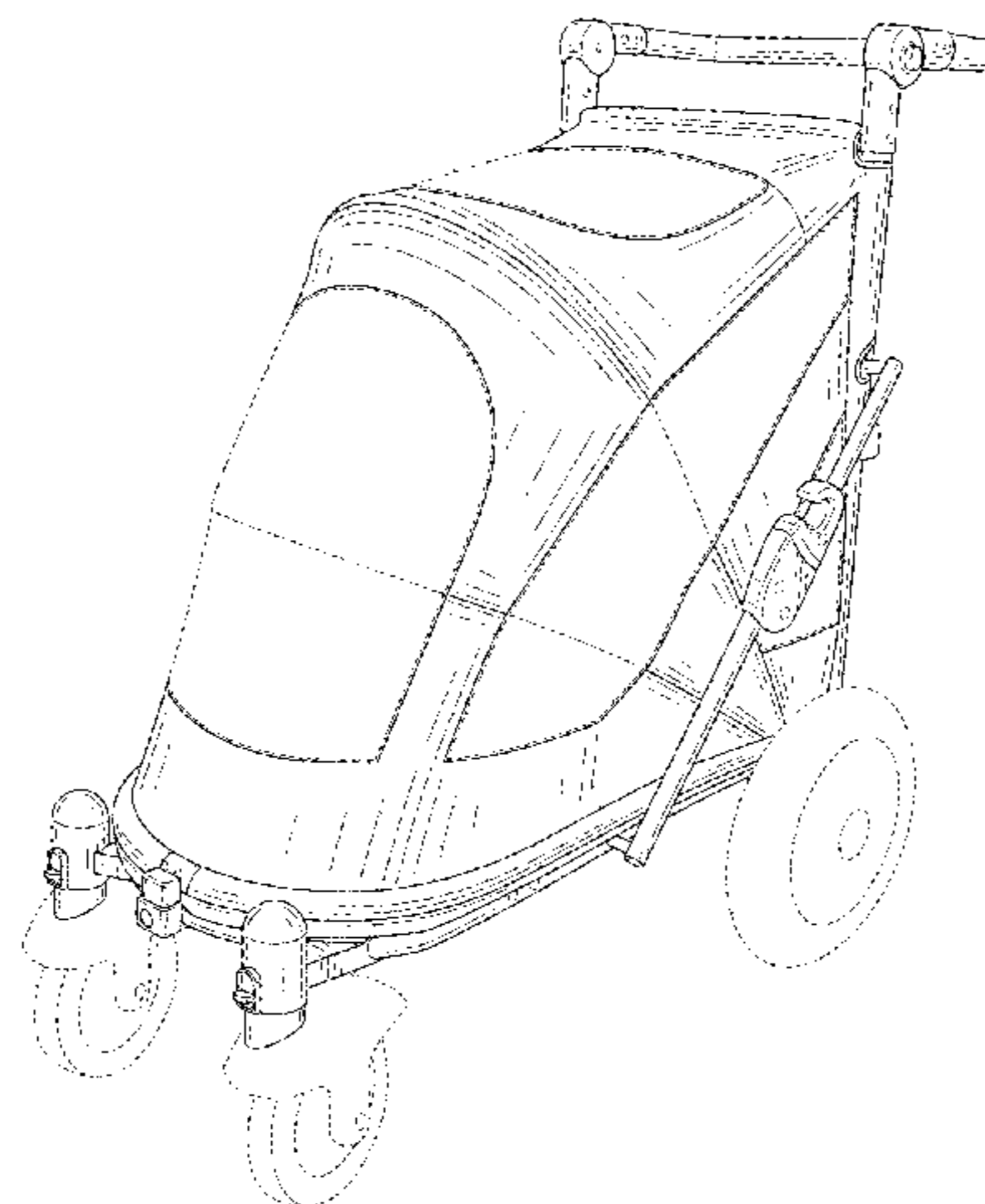
The ornamental design for a pet stroller, as shown and described.

DESCRIPTION

FIG. 1 is a top, front, right perspective view of a pet stroller in accordance with our design;
FIG. 2 is a front elevational view thereof;
FIG. 3 is a rear elevational view thereof;
FIG. 4 is a left side elevational view thereof;
FIG. 5 is a right side elevational view thereof;
FIG. 6 is a top plan view thereof; and,
FIG. 7 is a bottom plan view thereof.
The broken lines shown in the drawings depict portions of the pet stroller that form no part of the claimed design.

1 Claim, 6 Drawing Sheets

(56) **References Cited**
U.S. PATENT DOCUMENTS
D308,656 S 6/1990 Takahashi
D415,073 S 10/1999 Meehan
D422,538 S * 4/2000 Chen D12/129
D475,660 S 6/2003 Licciardello
D478,198 S 8/2003 Koppes
D641,293 S 7/2011 Tsai
D643,345 S * 8/2011 Barenbrug D12/129
D654,406 S * 2/2012 Henry D12/129
D693,742 S 11/2013 Fredendall
D704,600 S * 5/2014 Britton D12/129
D723,746 S * 3/2015 Jakubowski D30/109



(56)

References Cited

U.S. PATENT DOCUMENTS

D816,555 S * 5/2018 Young D12/129
D820,169 S * 6/2018 Eriksson D12/133
D825,400 S * 8/2018 Hanson D12/129
D834,457 S * 11/2018 Laffan D12/129
2014/0191483 A1 7/2014 Rolicki
2014/0230747 A1* 8/2014 Jakubowski B62B 9/14
119/496
2014/0319884 A1 10/2014 Doucette
2018/0022371 A1* 1/2018 Jakubowski B62B 5/0013
280/641

FOREIGN PATENT DOCUMENTS

GB 2511200 8/2014
TW M267130 6/2005

* cited by examiner

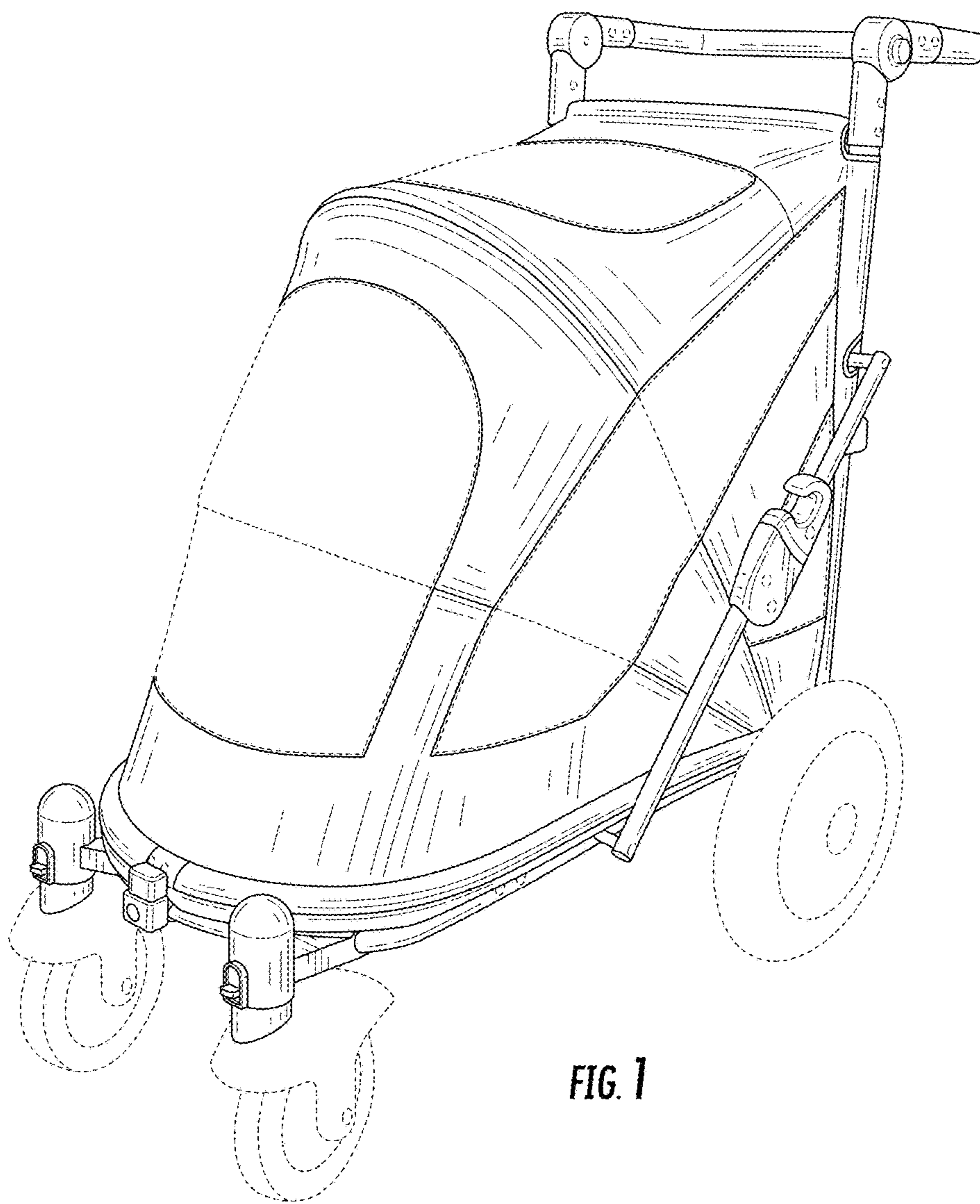


FIG. 1

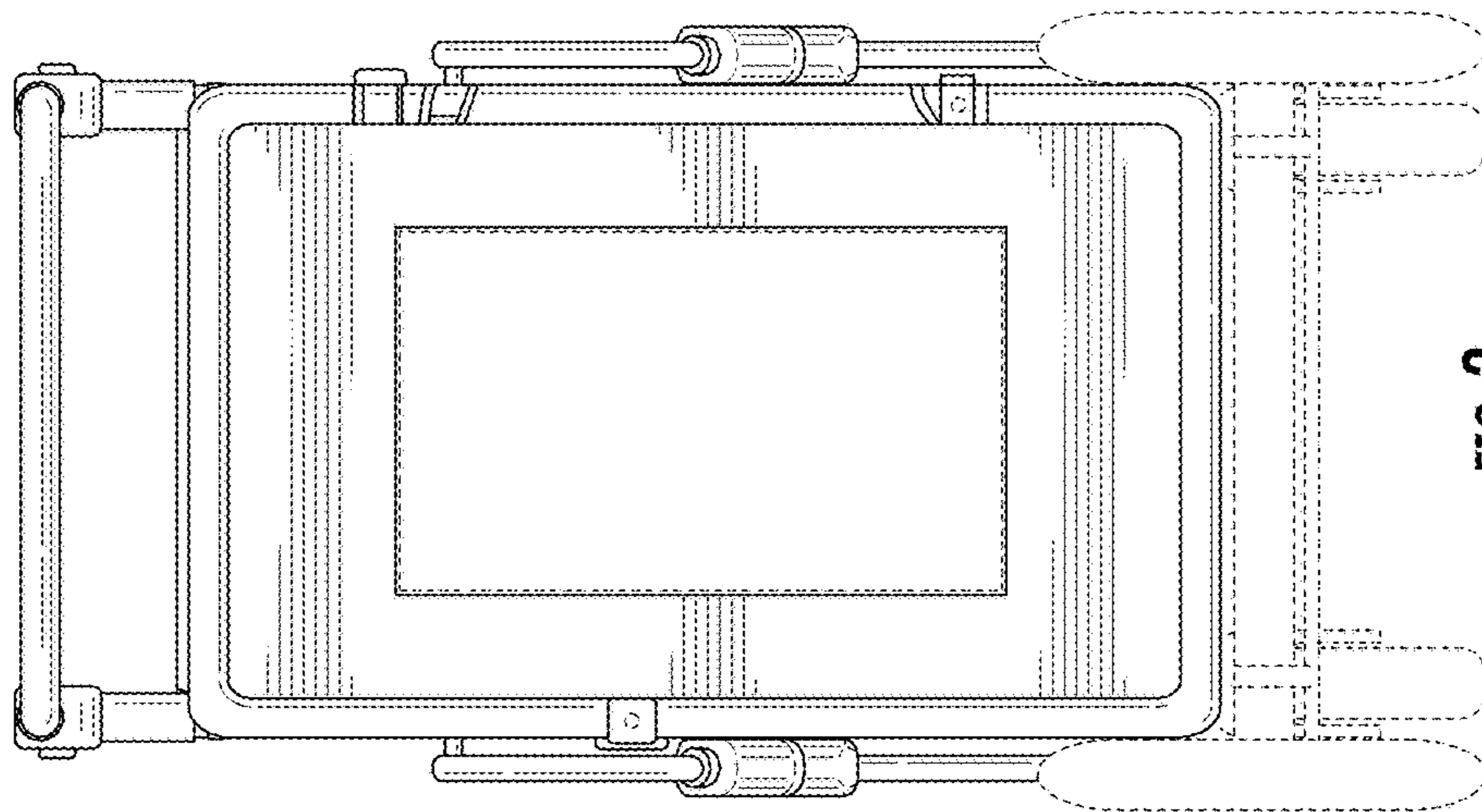


FIG. 3

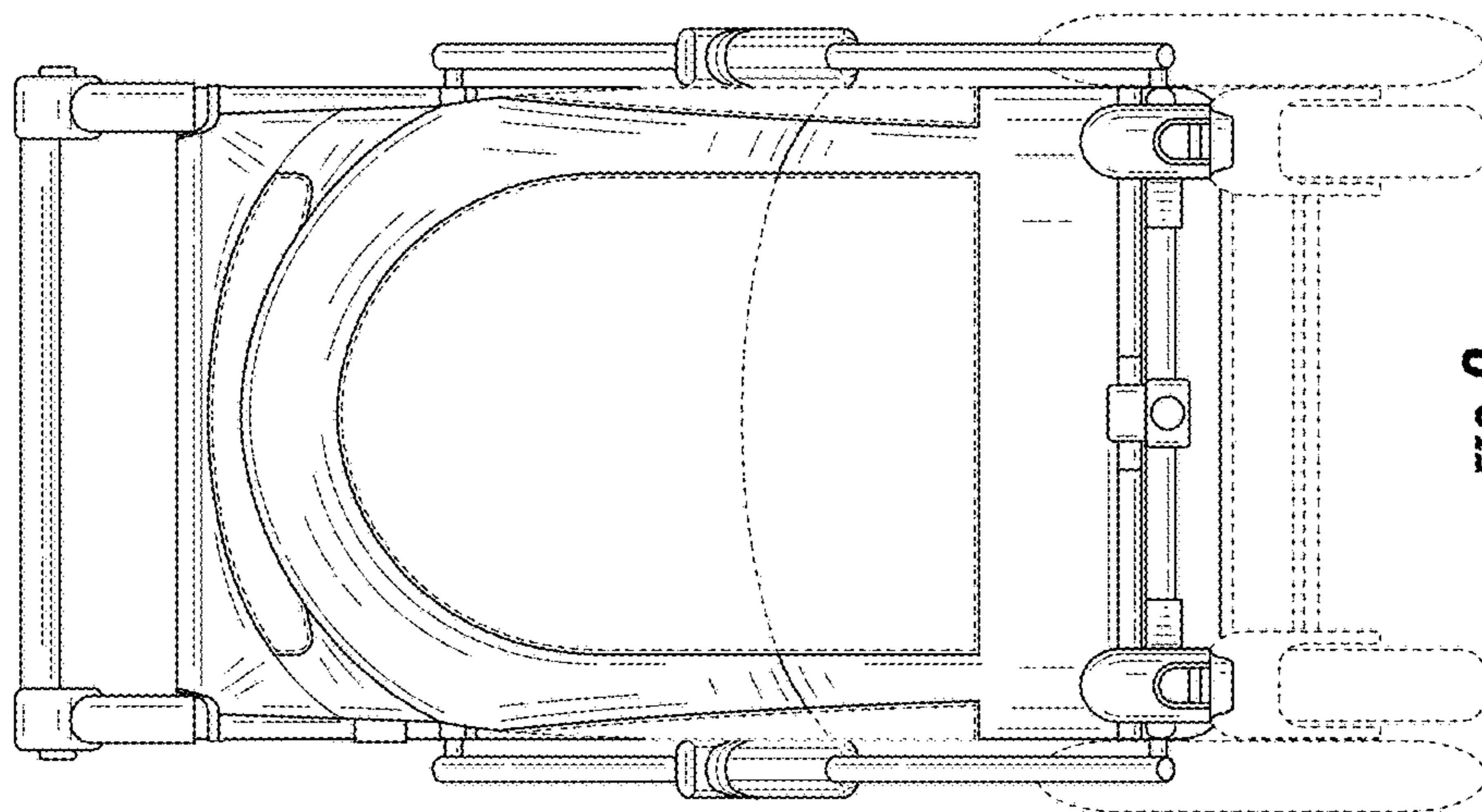


FIG. 2

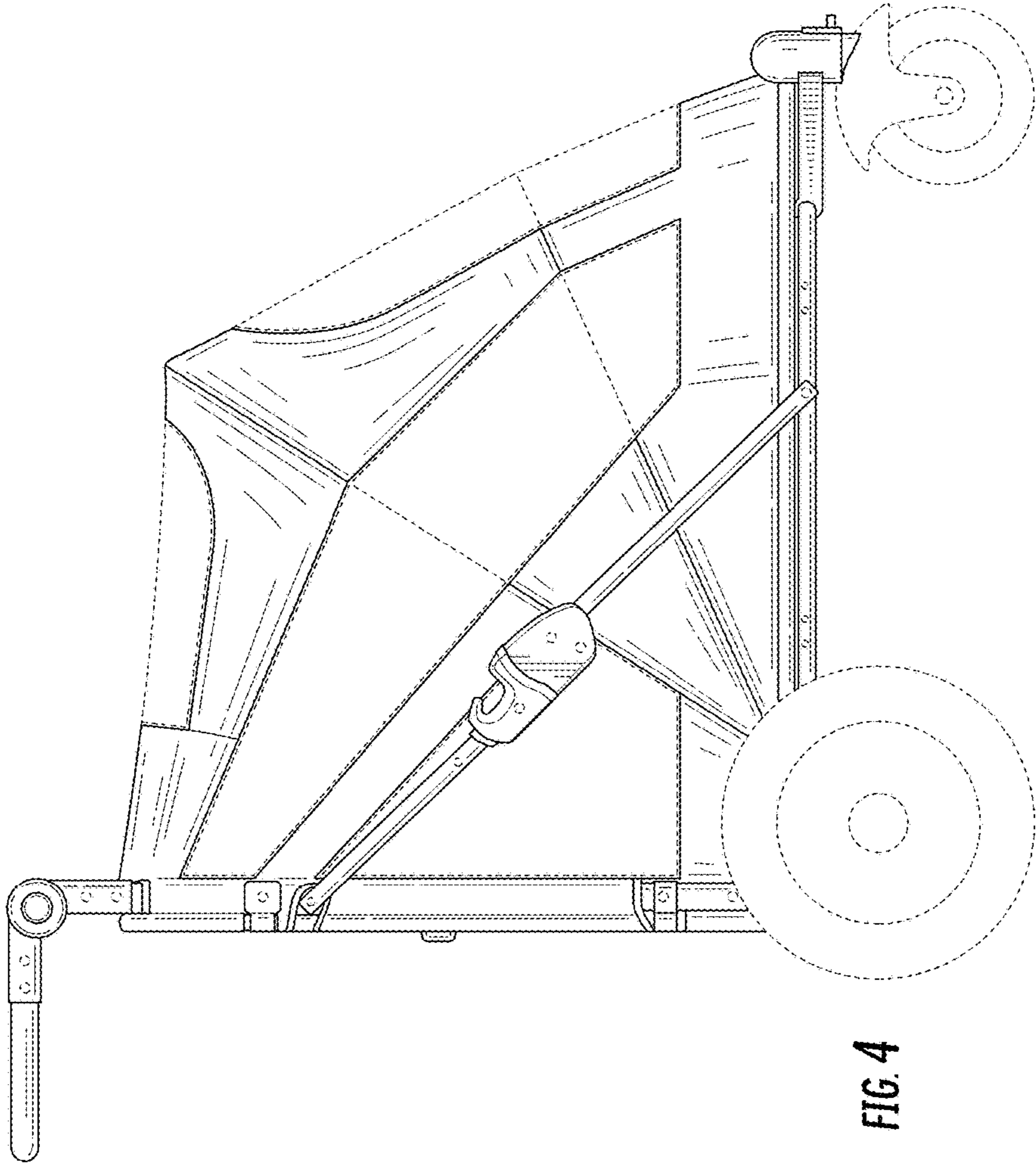
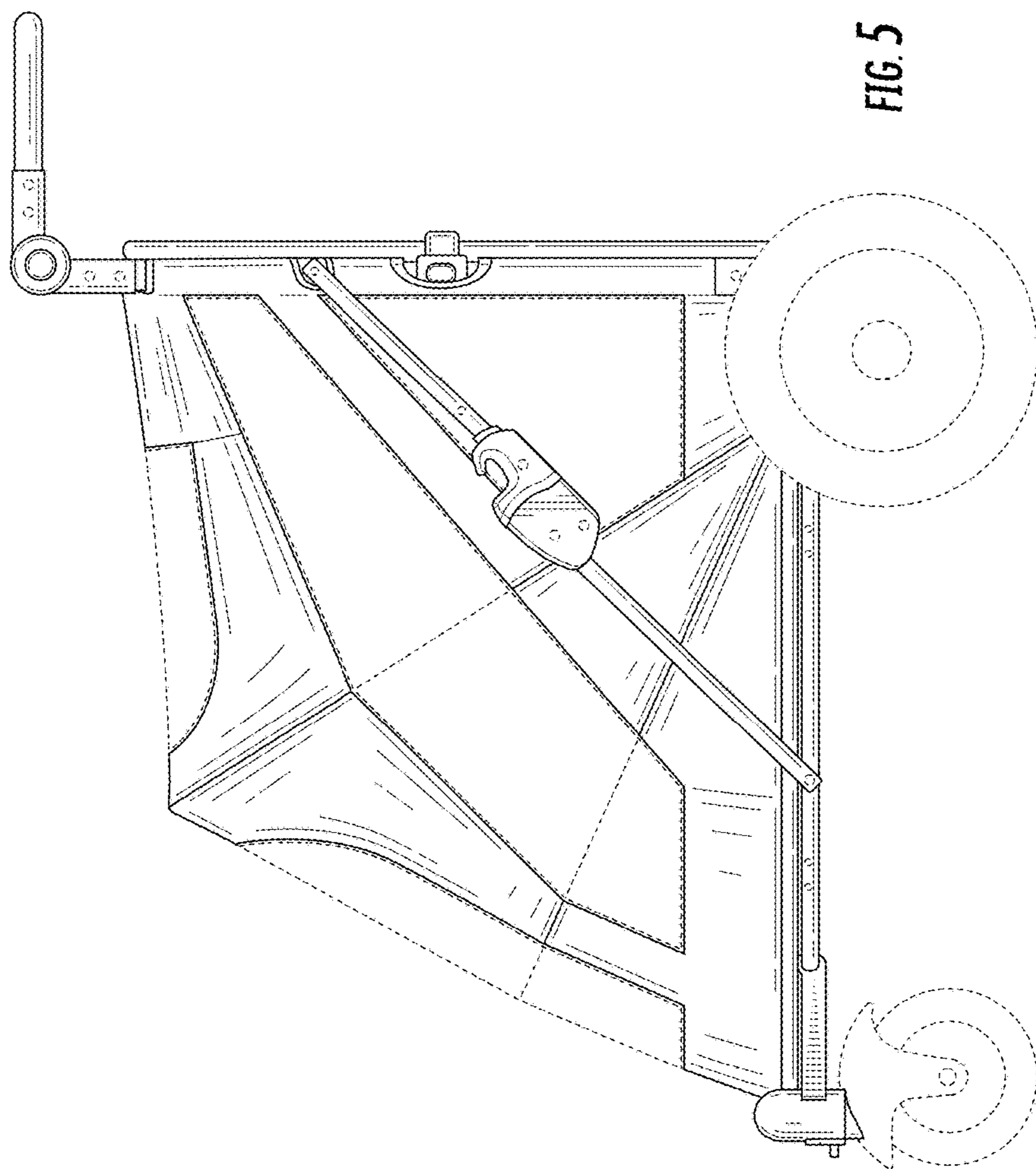


FIG. 4



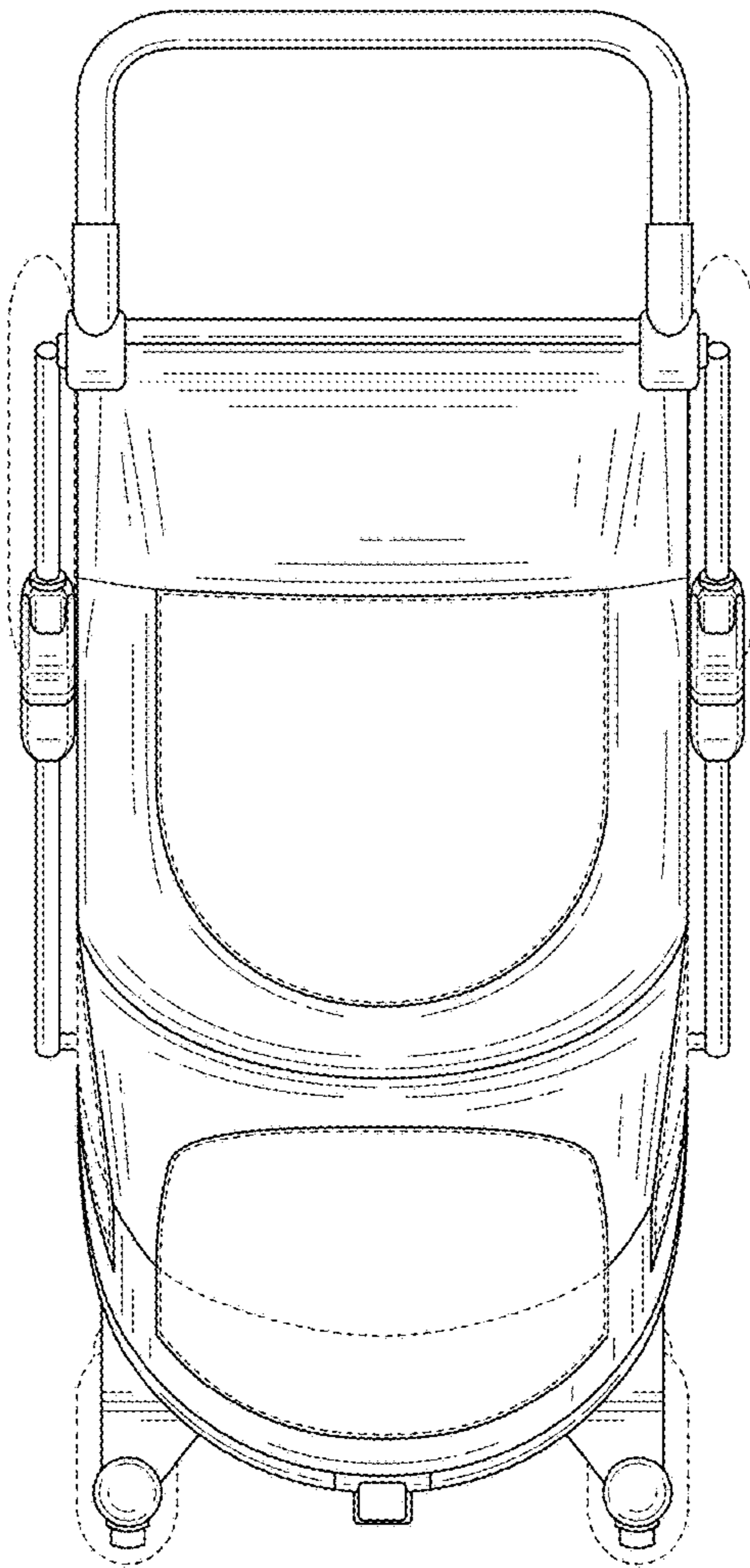


FIG. 6

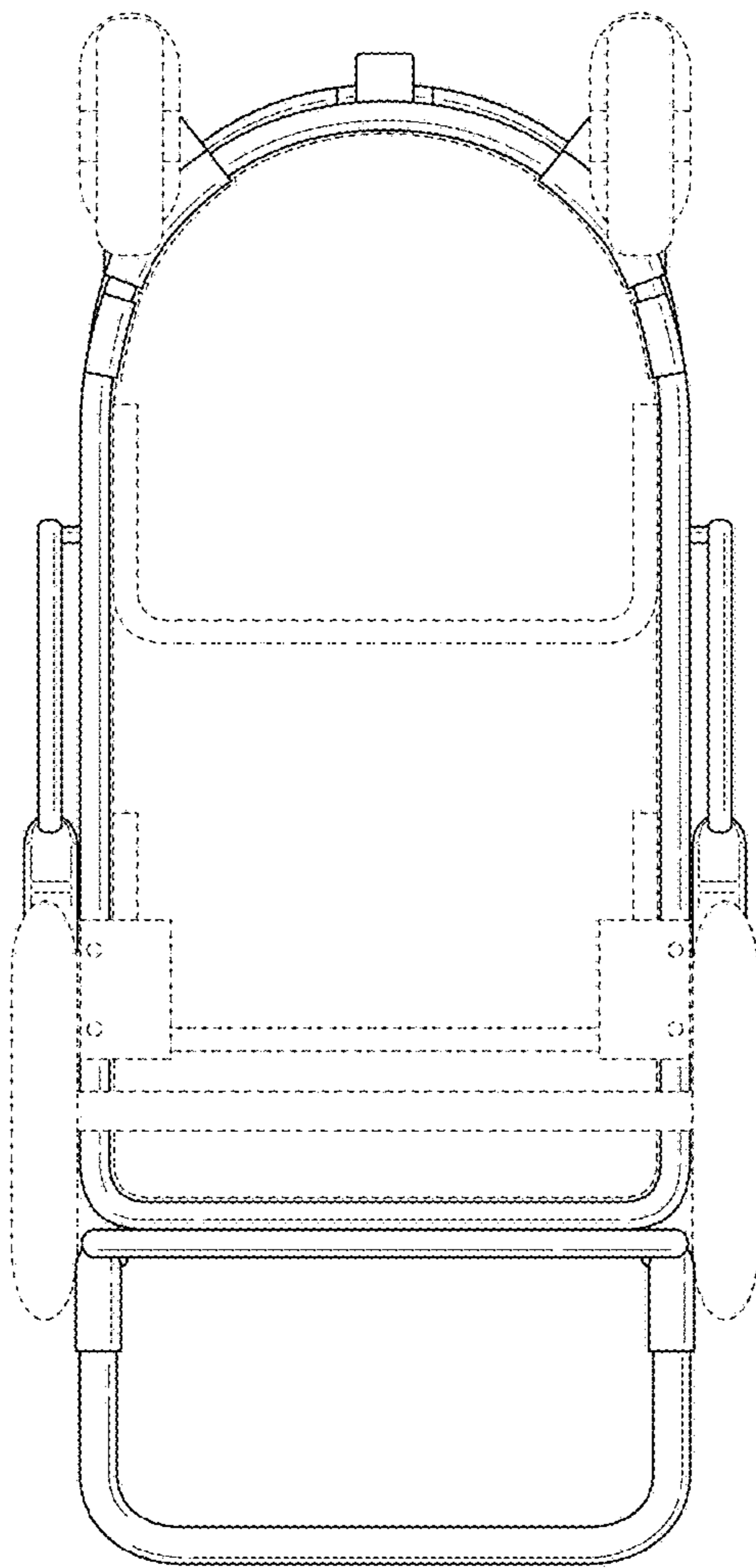


FIG. 7