



US00D855897S

(12) **United States Design Patent** (10) **Patent No.:** **US D855,897 S**
Allen (45) **Date of Patent:** **** Aug. 6, 2019**

(54) **QUICK-RELEASE STRAP**

(71) Applicant: **Fast Rescue Solutions, LLC,**
Flourtown, PA (US)

(72) Inventor: **Eric Allen,** Philadelphia, PA (US)

(73) Assignee: **FAST RESCUE SOLUTIONS, LLC,**
Flourtown, PA (US)

(**) Term: **15 Years**

(21) Appl. No.: **29/630,867**

(22) Filed: **Dec. 22, 2017**

(51) **LOC (12) Cl.** **02-99**

(52) **U.S. Cl.**
USPC **D29/124; D11/215**

(58) **Field of Classification Search**
USPC D3/215, 216, 228, 243, 290, 318, 327,
D3/328; D8/349; D11/200, 208, 212,
(Continued)

(56) **References Cited**

U.S. PATENT DOCUMENTS

D106,219 S * 9/1937 Sauer, Jr. 224/164
2,788,530 A 4/1957 Ferguson
(Continued)

FOREIGN PATENT DOCUMENTS

DE 202007016952 4/2009
GB 2403422 1/2005
WO 2012057668 5/2012

OTHER PUBLICATIONS

Rescue Tech Product Catalog; Rescue Equipment for the Technical
Rope Professional; www.RescueTECH1.com; pp. 1-140; 2013.
(Continued)

Primary Examiner — Kevin K Rudzinski

Assistant Examiner — Richard Kearney

(74) *Attorney, Agent, or Firm* — Dann Dorfman Herrell
and Skillman; Niels Haun; Donald Piper

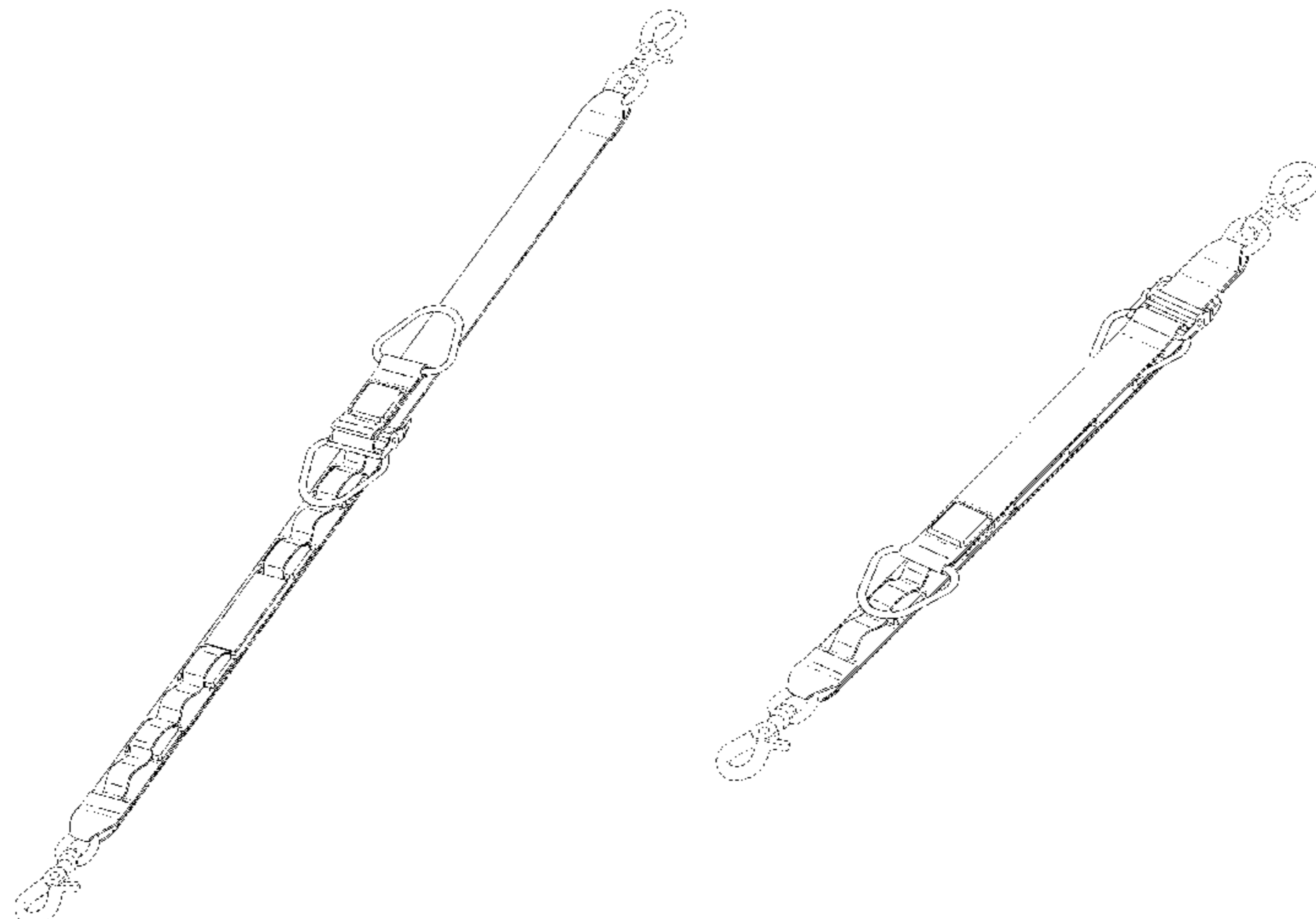
(57) **CLAIM**

The ornamental design for a quick-release strap, as shown
and described.

DESCRIPTION

FIG. 1 is a front perspective view of a first configuration of
my quick-release strap design;
FIG. 2 is a front plan view of the quick-release strap shown
in FIG. 1;
FIG. 3 is a rear plan view of the quick-release strap shown
in FIG. 1;
FIG. 4 is a right-side plan view of the quick-release strap
shown in FIG. 1;
FIG. 5 is a left-side plan view of the quick-release strap
shown in FIG. 1;
FIG. 6 is a top plan view of the quick-release strap shown
in FIG. 1;
FIG. 7 is a bottom plan view of the quick-release strap
shown in FIG. 1;
FIG. 8 is a front perspective view of a second configuration
of my quick-release strap design shown in FIG. 1;
FIG. 9 is a front plan view of the quick-release strap shown
in FIG. 8;
FIG. 10 is a rear plan view of the quick-release strap shown
in FIG. 8;
FIG. 11 is a right-side plan view of the quick-release strap
shown in FIG. 8;
FIG. 12 is a left-side plan view of the quick-release strap
shown in FIG. 8;
FIG. 13 is a top plan view of the quick-release strap shown
in FIG. 8; and,
FIG. 14 is a bottom plan view of the quick-release strap
shown in FIG. 8.
The broken lines shown in the drawings illustrate environ-
mental structure that form no part of the claimed design. The
thin dashed lines shown on the straps illustrate stitching that
form part of the claimed design.

1 Claim, 8 Drawing Sheets



(58) **Field of Classification Search**

USPC D11/214, 215, 216, 218, 220; D24/184,
 D24/190; D29/101.1–101.5, 103, 122,
 D29/124, 129, 130
 CPC . A45C 13/30; A45C 13/185; A45C 2013/306;
 A62B 35/00; A62B 35/0006; A62B
 35/0018; A62B 1/04; A61G 3/0875;
 A61G 1/044; A61F 5/3776; A61F 5/3769
 See application file for complete search history.

7,699,324	B2	4/2010	Walkingshaw	
D636,964	S *	4/2011	Thomas	D29/101.1
8,286,284	B2	10/2012	Fee	
8,615,829	B2	12/2013	Kenalty	
8,745,792	B2	6/2014	McGlynn	
8,881,327	B2	11/2014	Kenalty	
8,898,839	B2	12/2014	Kenalty	
8,991,835	B1	3/2015	Wolf	
D773,811	S *	12/2016	Hardy	D3/243
D811,738	S *	3/2018	Dumas	D3/243
D811,746	S *	3/2018	Seiders	D3/318
2002/0036423	A1	3/2002	Glover	
2006/0061050	A1	3/2006	Wolf	
2008/0168603	A1	7/2008	Ayette	
2009/0173354	A1	7/2009	Gold	
2010/0005593	A1	1/2010	Bowling	
2011/0025004	A1	2/2011	Walkingshaw	

(56) **References Cited**

U.S. PATENT DOCUMENTS

2,857,086 A * 10/1958 Chamberlin A62B 35/0031
 182/4
 D202,867 S * 11/1965 Brady D11/208
 3,601,824 A 8/1971 Bradford
 D237,760 S * 11/1975 Woods D11/215
 D291,151 S * 8/1987 Dugan D29/101.1
 4,736,474 A 4/1988 Moran
 5,249,321 A 10/1993 Graf
 D380,585 S * 7/1997 Olson D2/891
 D381,081 S * 7/1997 Okada D24/190
 D384,809 S * 10/1997 Siaki D3/222
 D414,331 S * 9/1999 Lichtenberger D3/222
 7,025,172 B2 4/2006 Gregory
 7,168,110 B2 1/2007 Girard

OTHER PUBLICATIONS

Rescue and First Aid Equipment; Rosenbauer; www.resansil.com;
 pp. 335- 363; Apr. 7, 2015.
 Internation Search Report and Written opinion for corresponding
 International Application No. PCT/US16/30048; dated Aug. 9,
 2016.
 Extended European Search Report in corresponding European Appli-
 cation No. 16789818.8; dated Oct. 31, 2018.

* cited by examiner

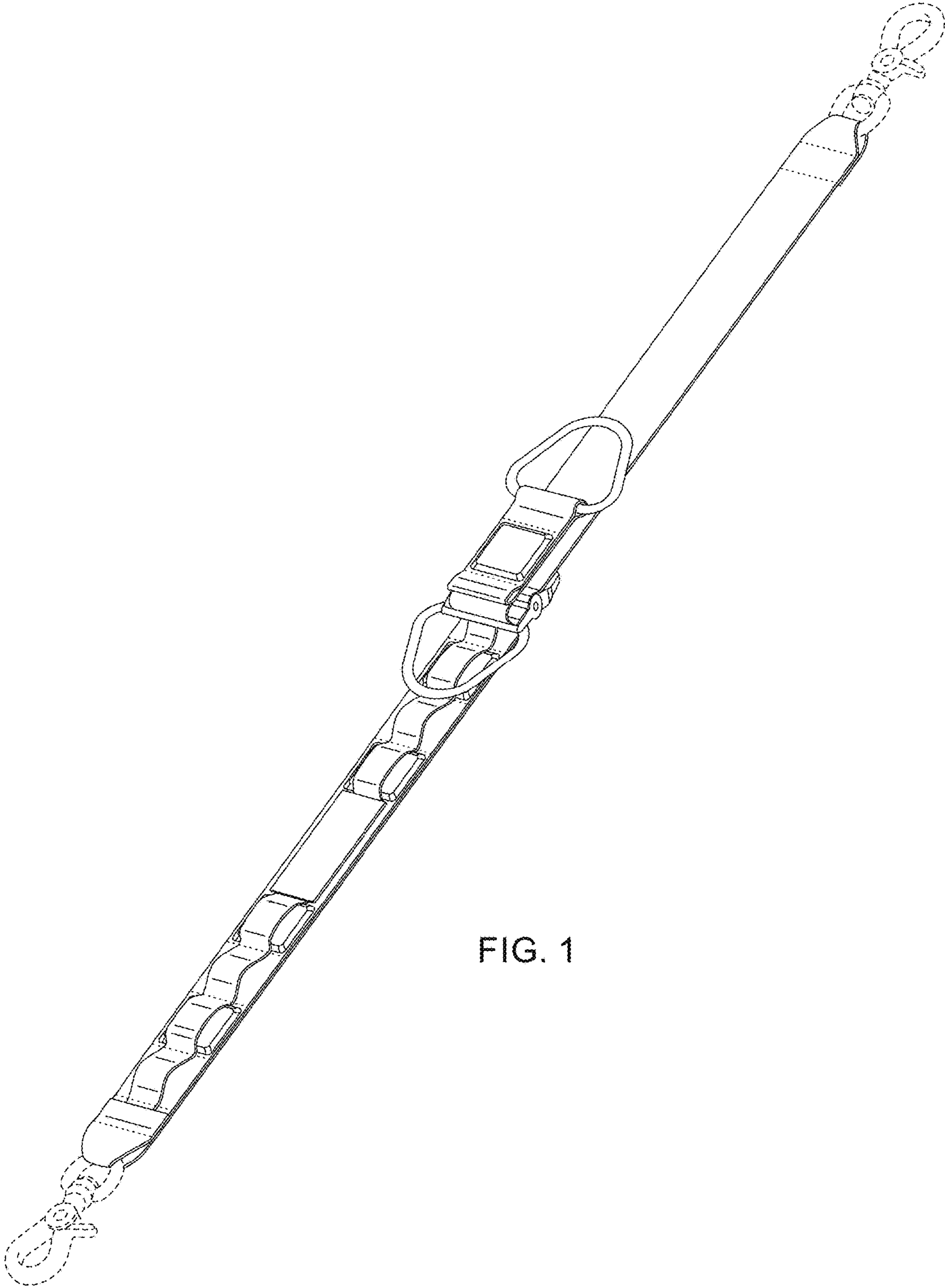


FIG. 1

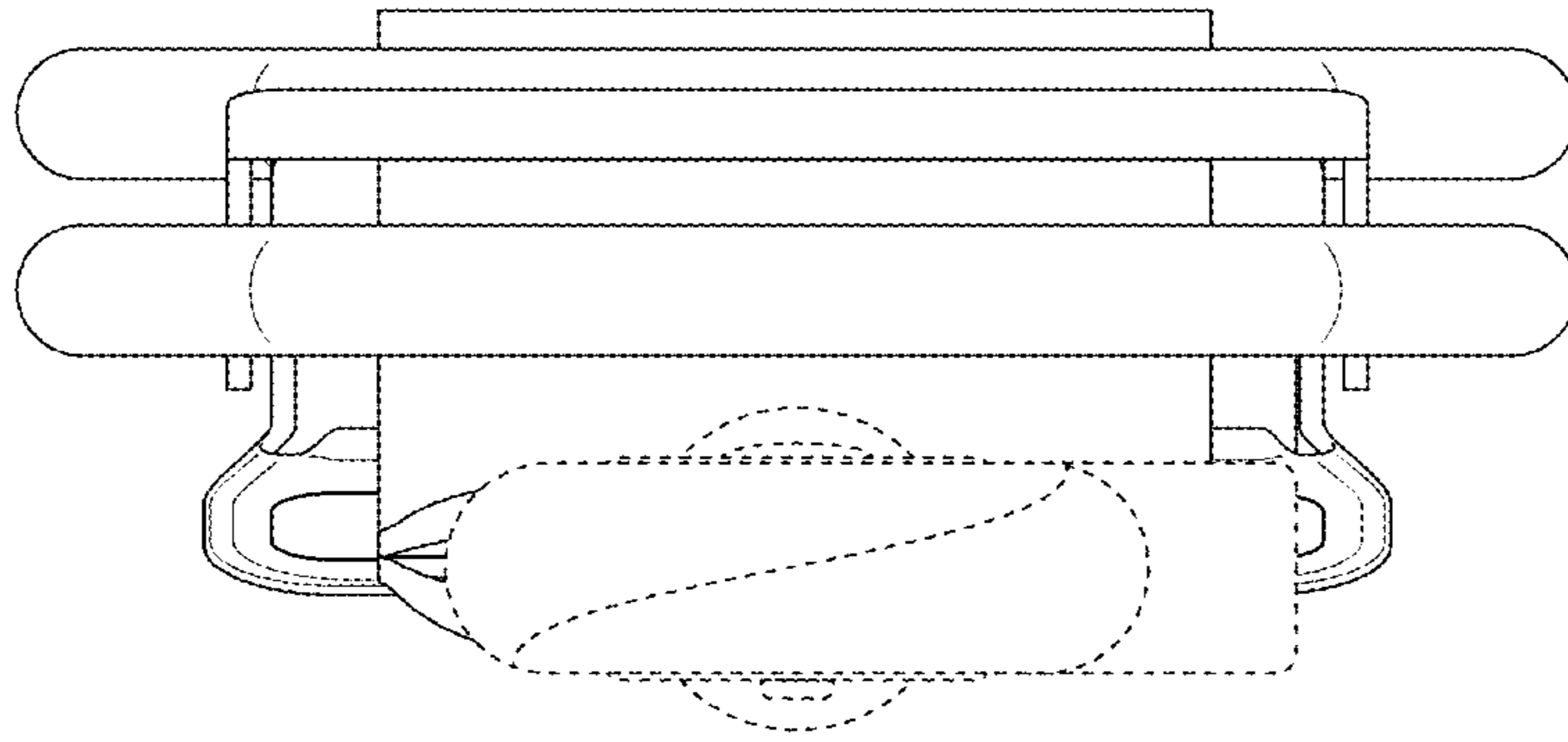


FIG. 2

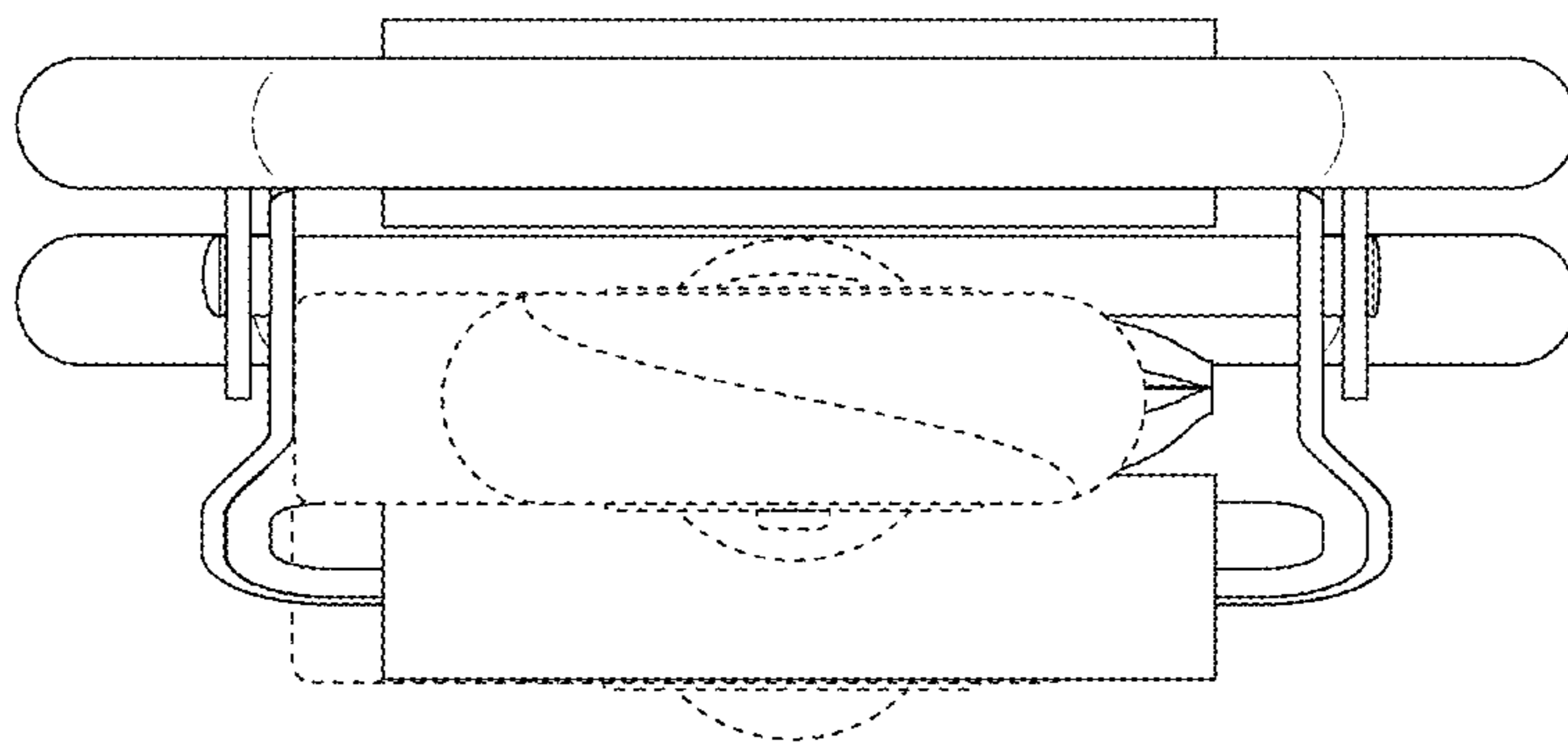


FIG. 3

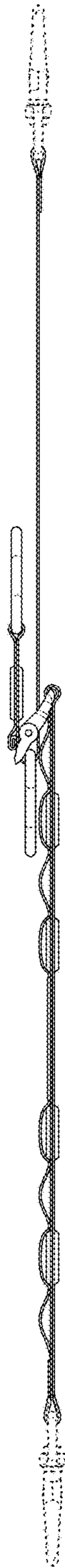


FIG. 4

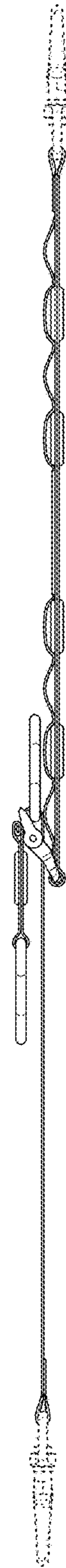


FIG. 5

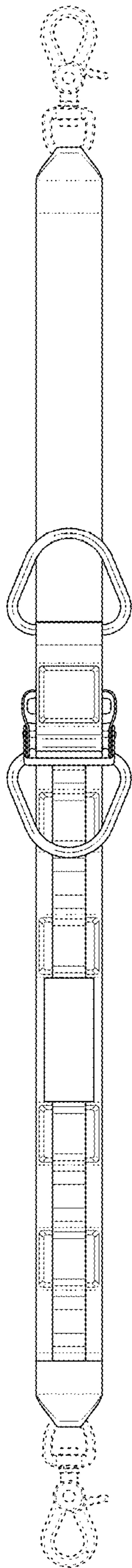


FIG. 6

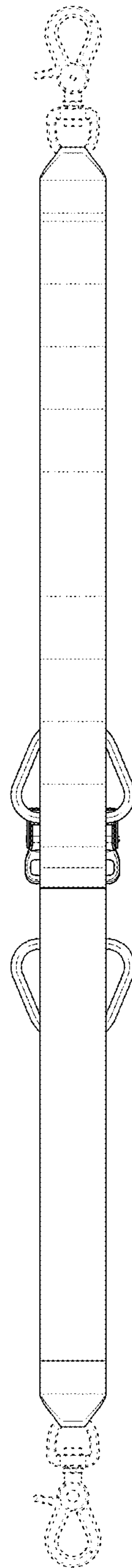


FIG. 7

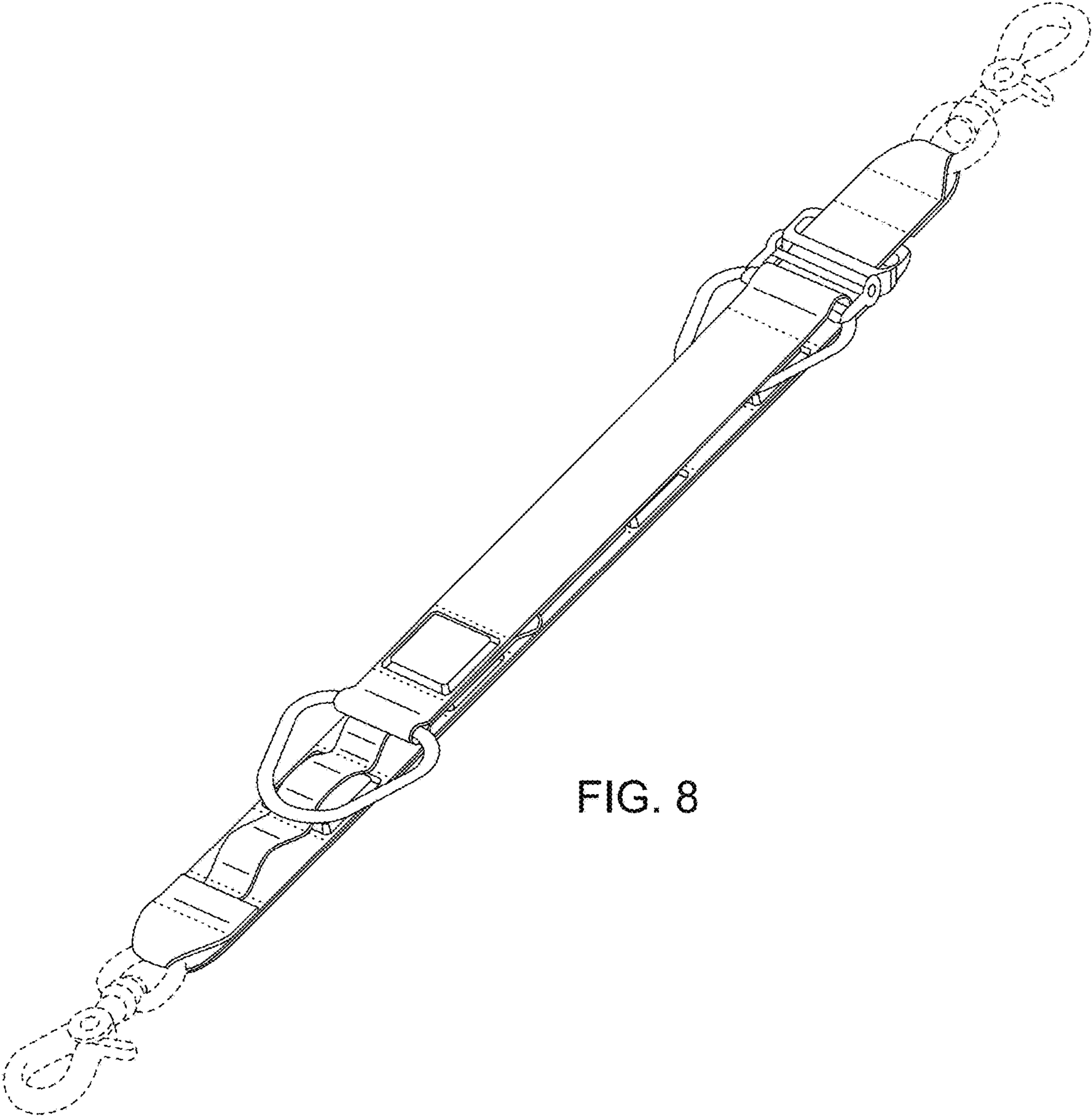


FIG. 8

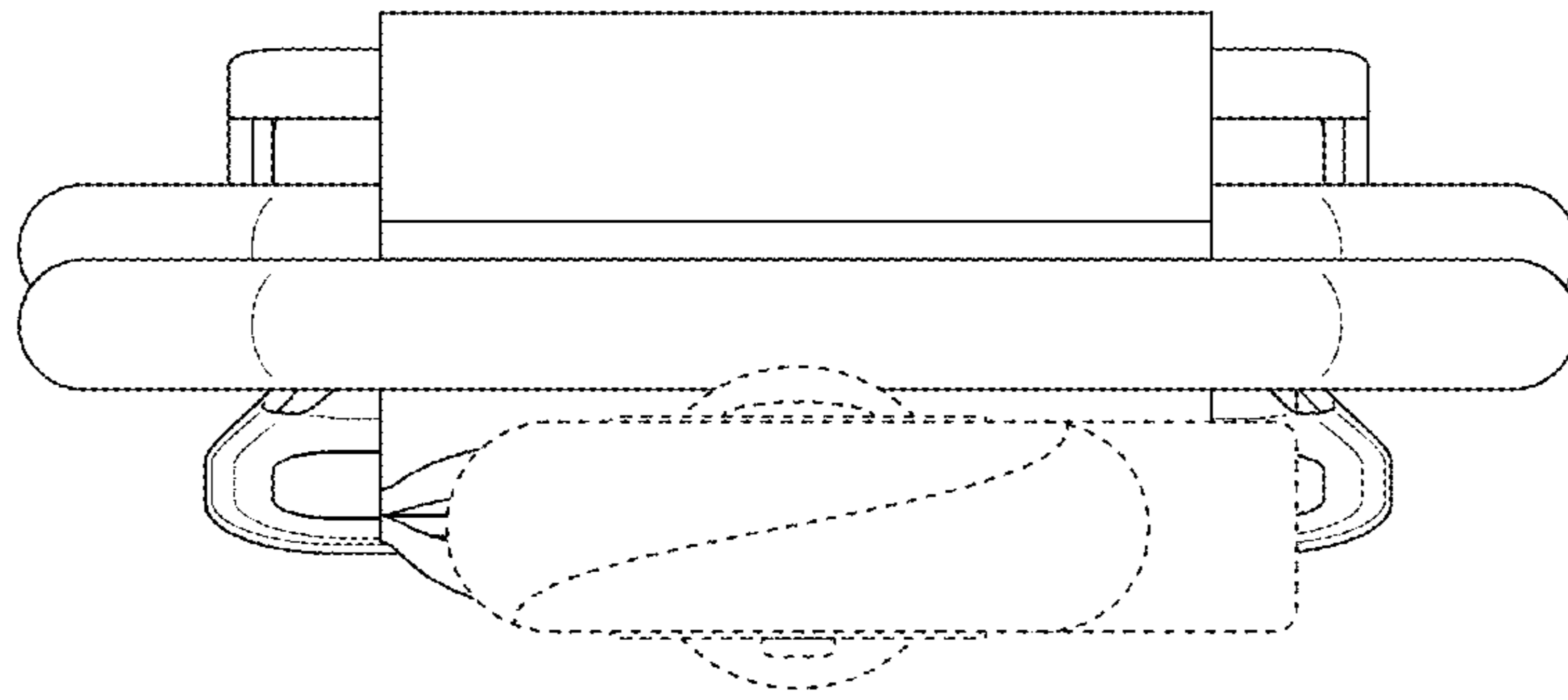


FIG. 9

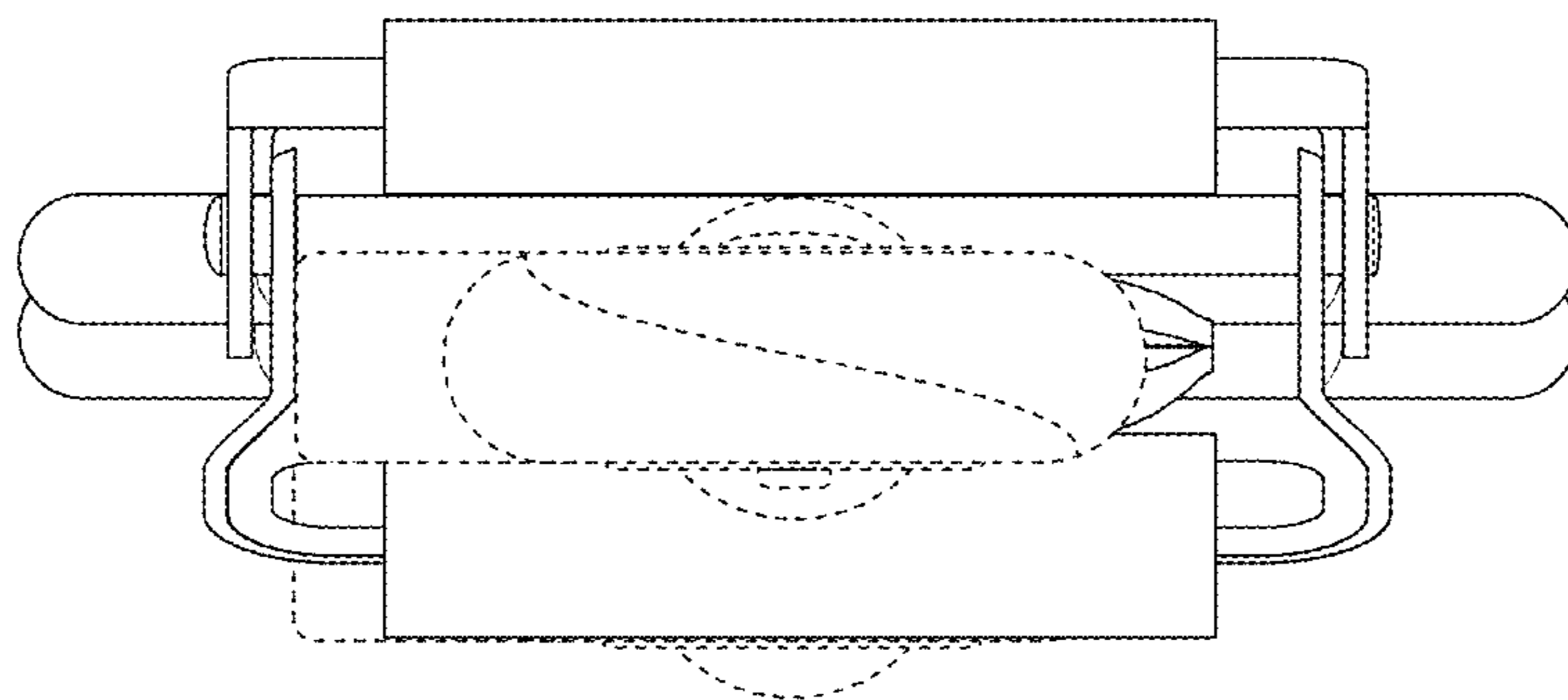


FIG. 10

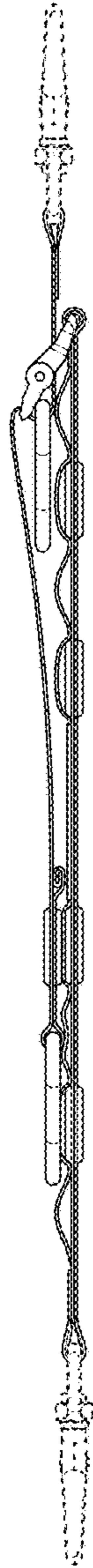


FIG. 11

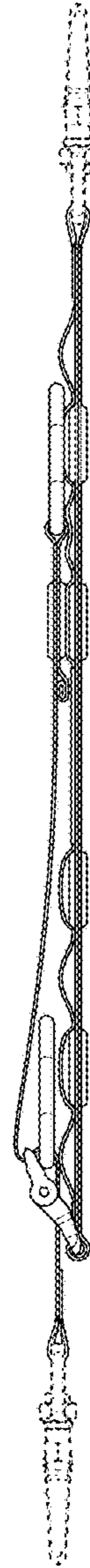


FIG. 12

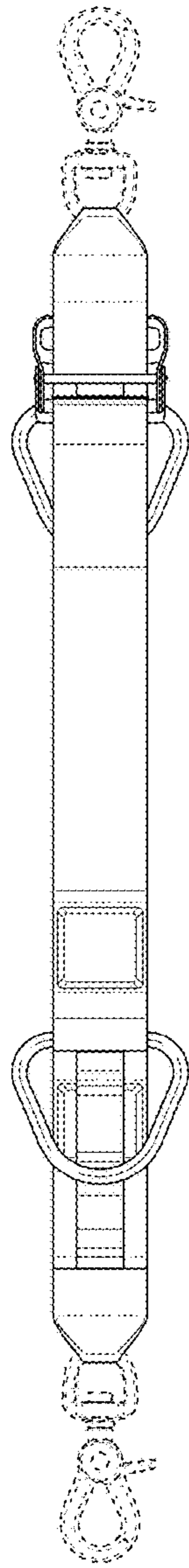


FIG. 13

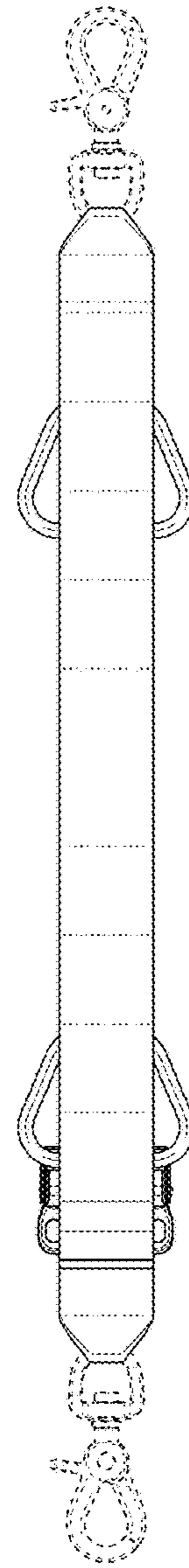


FIG. 14