



US00D855892S

(12) **United States Design Patent**
Lee et al.

(10) **Patent No.:** **US D855,892 S**

(45) **Date of Patent:** **** Aug. 6, 2019**

- (54) **LIPSTICK CONTAINER**
- (71) Applicant: **YONWOO CO., LTD.**, Incheon (KR)
- (72) Inventors: **Jae-Ock Lee**, Incheon (KR); **Seok-Gi Choi**, Incheon (KR)
- (73) Assignee: **YONWOO CO., LTD.**, Incheon (KR)
- (**) Term: **15 Years**
- (21) Appl. No.: **29/628,758**
- (22) Filed: **Dec. 7, 2017**

D508,297 S *	8/2005	Breidenbach	D28/88
D516,251 S *	2/2006	Py	D28/89
7,165,558 B2 *	1/2007	Byun	A45D 33/24 132/294
D541,990 S *	5/2007	Hsu	D28/89
D558,926 S *	1/2008	Breidenbach	D28/88
D583,998 S *	12/2008	Tani	D28/88
D596,034 S *	7/2009	Rauschert	D28/76
D717,496 S *	11/2014	Gautier	D28/77
D725,490 S *	3/2015	Grosso	D9/726
D742,071 S *	10/2015	Gautier	D28/77
D758,668 S *	6/2016	Bonnin	D28/89
9,565,920 B2 *	2/2017	Thorpe	A45D 34/04
2003/0226573 A1 *	12/2003	Chan	A45D 40/02 132/318

- (30) **Foreign Application Priority Data**
- Jun. 8, 2017 (KR) 30-2017-0025907
- (51) **LOC (12) Cl.** **28-03**
- (52) **U.S. Cl.**
- USPC **D28/88**
- (58) **Field of Classification Search**
- USPC D28/76, 85-90; D9/624, 606, 726, 725,
D9/503-505, 529, 541, 549, 551, 553,
D9/559, 560, 561, 564, 574, 575
- CPC A45D 40/00; A45D 40/023; A45D 40/04;
A45D 40/06-065; A45D 40/08; A45D
2040/207-208; A45D 2040/0012; A45D
2040/0025; A45D 40/205; A45D 40/26;
A45D 40/261; A45D 40/265
- See application file for complete search history.

* cited by examiner

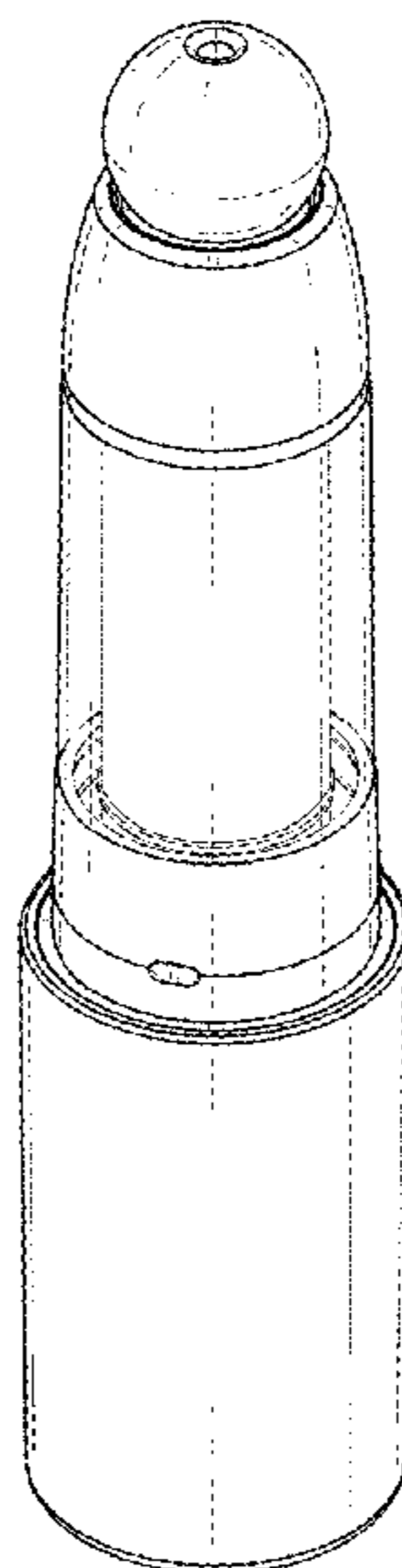
Primary Examiner — Jennifer Rivard
(74) *Attorney, Agent, or Firm* — Marshall, Gerstein & Borun LLP

- (56) **References Cited**
- U.S. PATENT DOCUMENTS
- 4,887,924 A * 12/1989 Green A45D 40/26
401/261
- D385,793 S * 11/1997 Marsal D24/224
- D429,845 S * 8/2000 Lang D24/119
- D466,252 S * 11/2002 Yu D28/88

(57) **CLAIM**
The ornamental design for a lipstick container, as shown and described.

DESCRIPTION
FIG. 1 is a perspective view of a lipstick container, showing the new design.
FIG. 2 is a front elevation view of the lipstick container.
FIG. 3 is a right-side elevation view of the lipstick container.
FIG. 4 is a left-side elevation view of the lipstick container.
FIG. 5 is a right-side elevation view of the lipstick container.
FIG. 6 is a top plan view of the lipstick container; and,
FIG. 7 is a bottom plan view of the lipstick container.
The broken lines represent elements of the container for cosmetics that form no part of the claimed design.
The intermediate section of the lipstick container is transparent or translucent, permitting the interior structure to be visible.

1 Claim, 4 Drawing Sheets



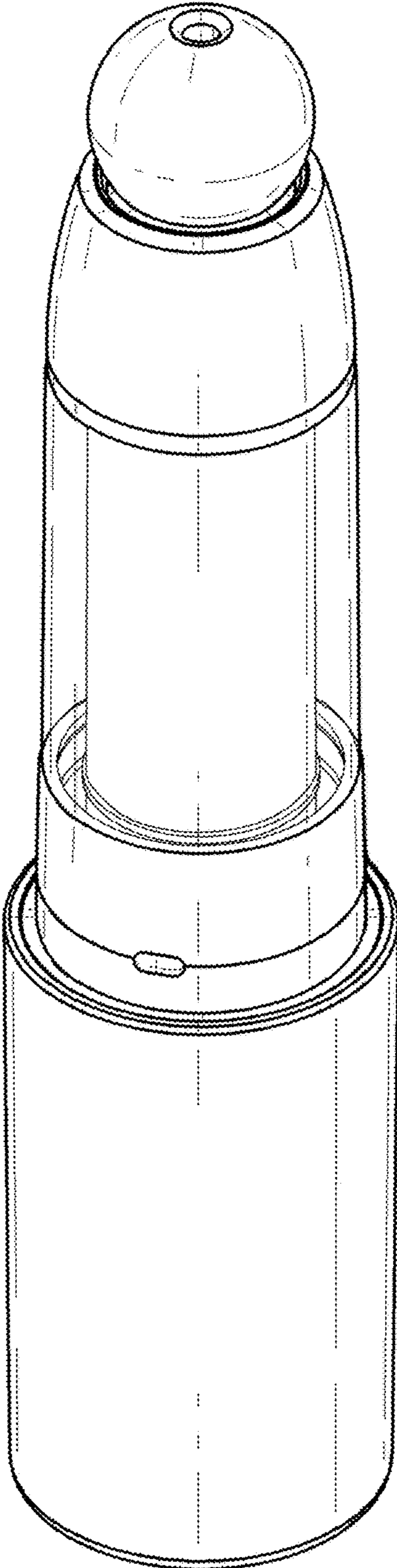


Fig. 1

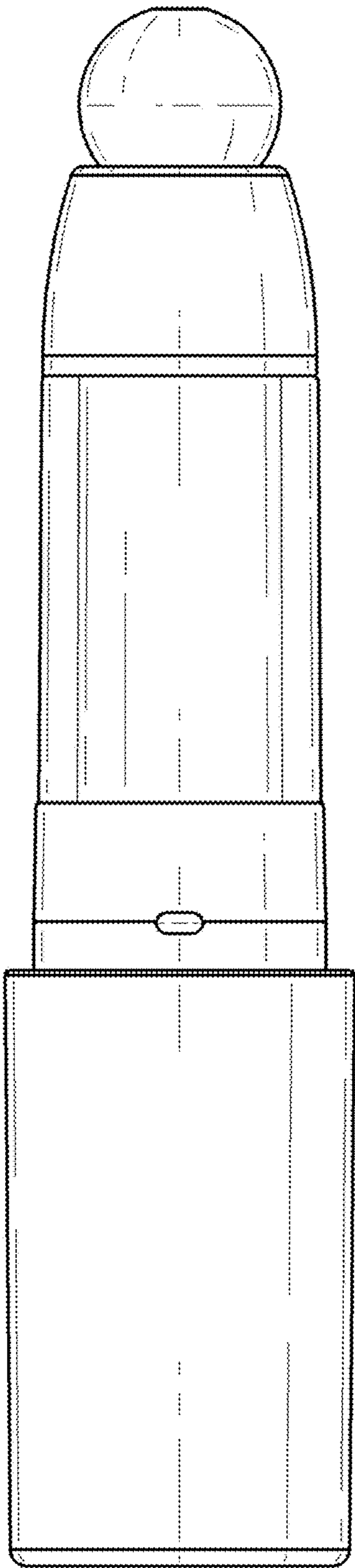


Fig. 2

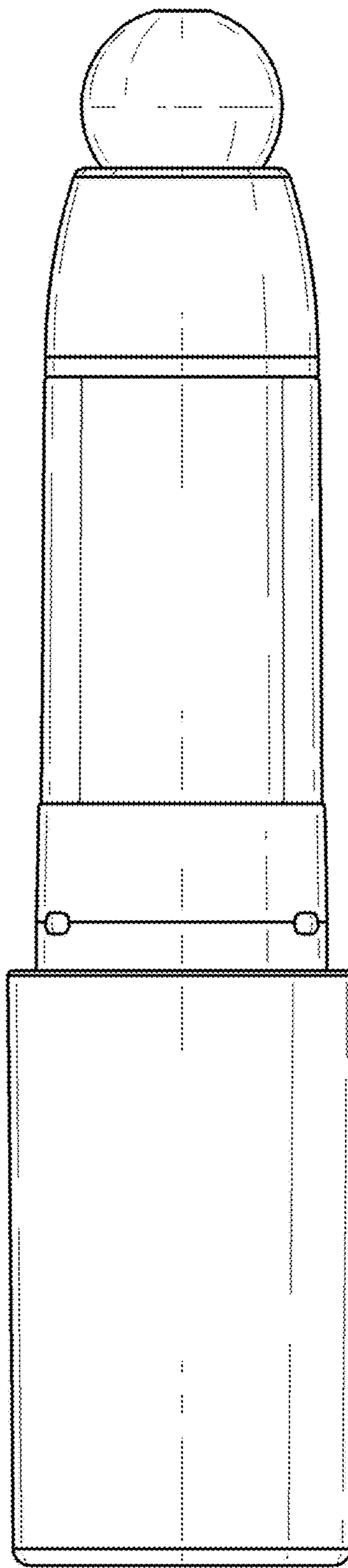


Fig. 3

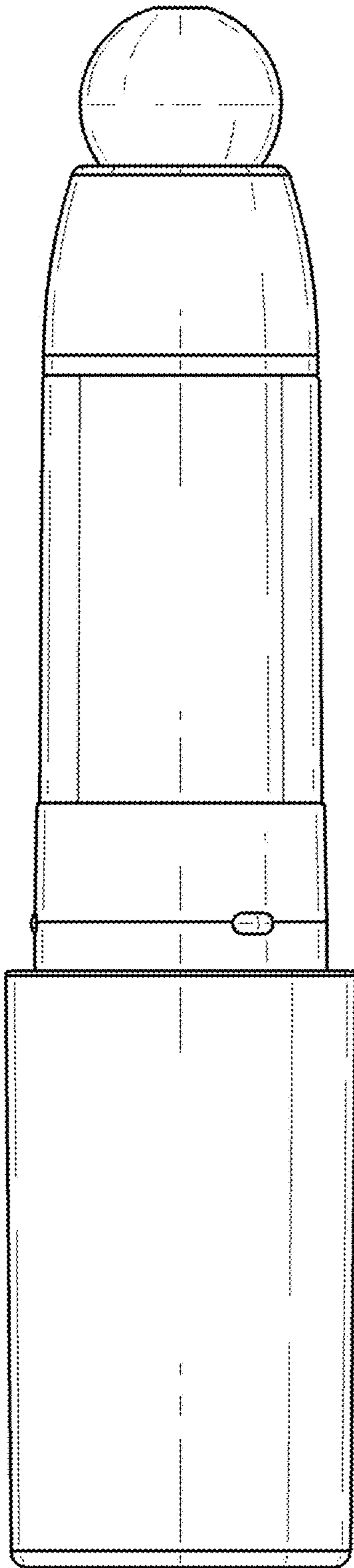


Fig. 4

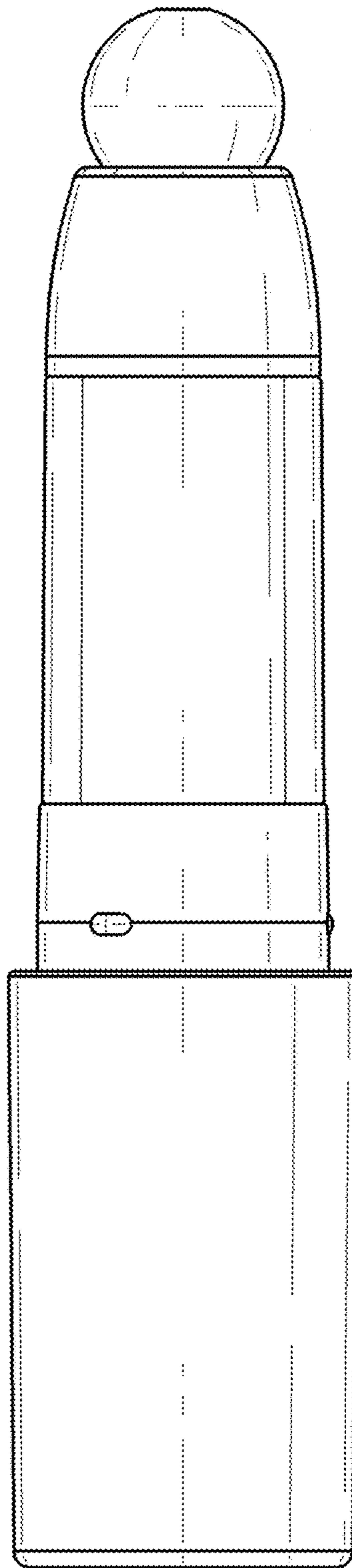


Fig. 5

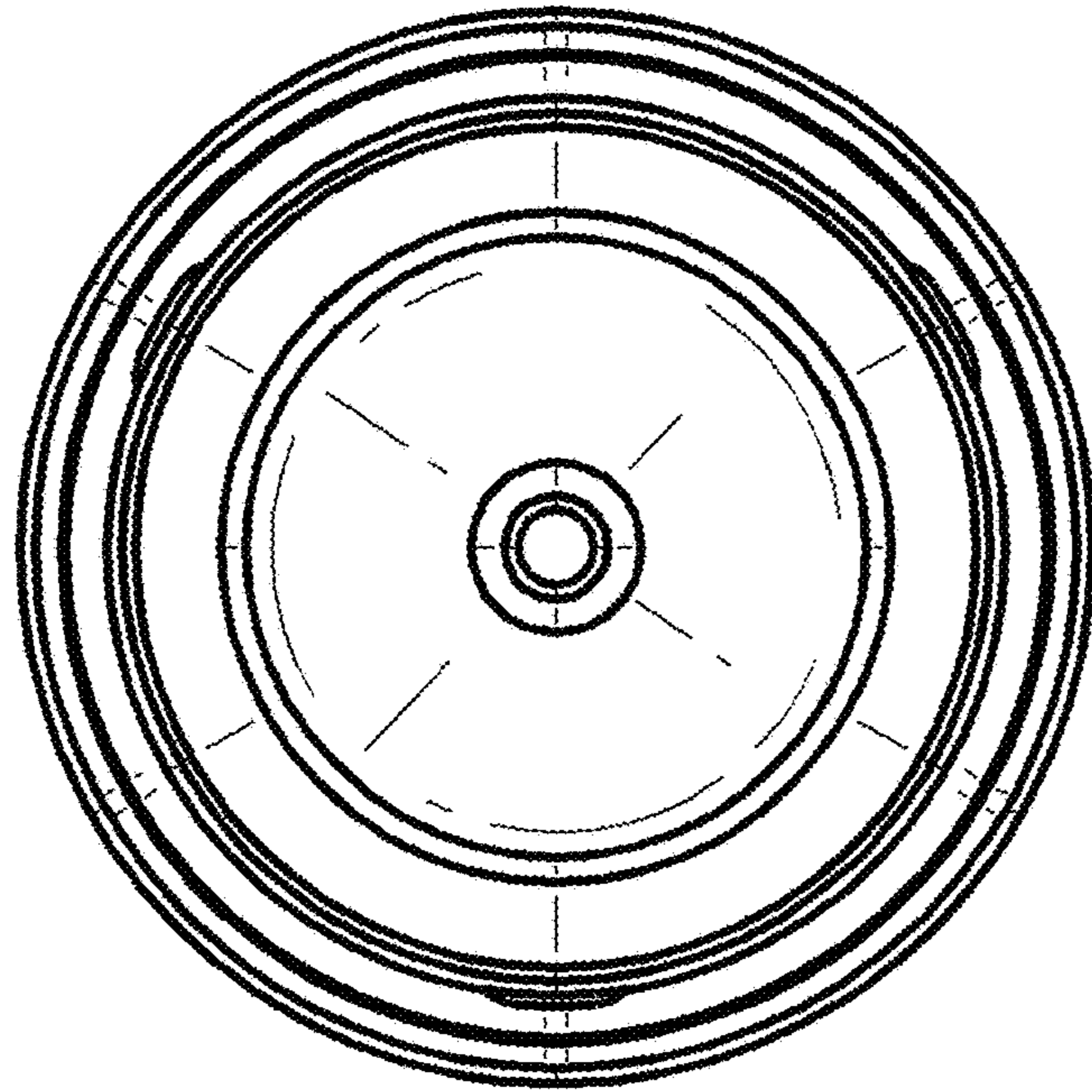


Fig. 6

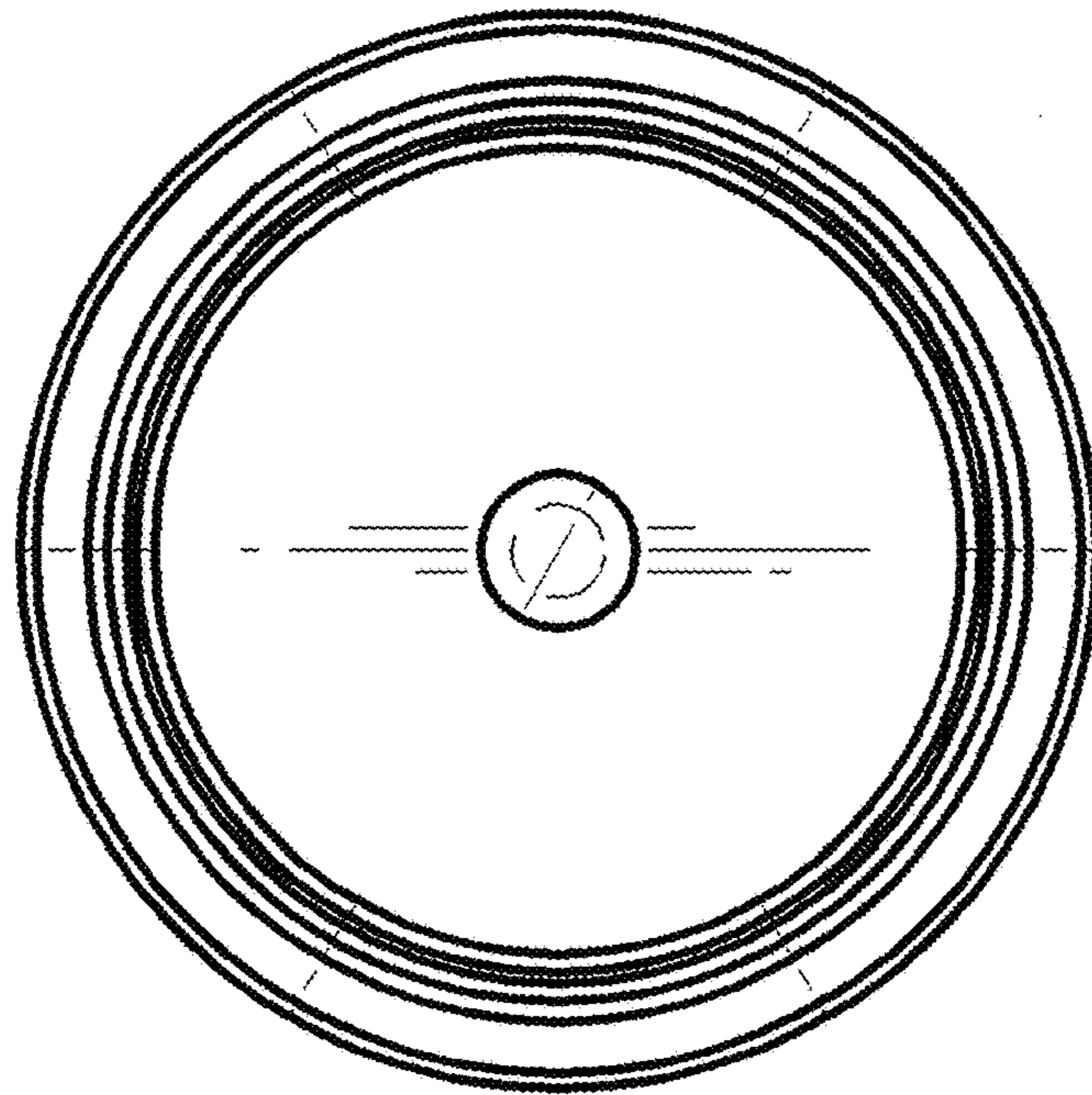


Fig. 7