



US00D855888S

(12) **United States Design Patent** (10) **Patent No.:** **US D855,888 S**
Alexander (45) **Date of Patent:** **** Aug. 6, 2019**

(54) **TOOTHPICK**
(71) Applicant: **Samuel Alexander**, South Plainfield, NJ (US)
(72) Inventor: **Samuel Alexander**, South Plainfield, NJ (US)
(**) Term: **15 Years**
(21) Appl. No.: **29/608,404**
(22) Filed: **Jun. 21, 2017**
(51) **LOC (12) Cl.** **28-03**
(52) **U.S. Cl.**
USPC **D28/65**
(58) **Field of Classification Search**
USPC D28/65, 66, 67, 68; D7/635, 636; D3/28
CPC A61C 15/02; A61C 15/00; A61C 15/04;
A61C 15/041; A61C 15/043; A61C 15/045; A61C 15/046; A61C 15/047;
A61C 15/048
See application file for complete search history.

(56) **References Cited**
U.S. PATENT DOCUMENTS
2,852,298 A * 9/1958 Tunstall, Sr. E01H 1/12
294/61
D189,332 S * 11/1960 Silver et al. D11/47
4,718,189 A * 1/1988 Stude A01K 81/00
294/61
D309,040 S * 7/1990 Poon D28/65
D446,072 S * 8/2001 Cohen D28/65
D511,591 S * 11/2005 Wong D28/65
D523,992 S * 6/2006 Le A61C 15/02
D28/65
D527,298 S * 8/2006 Chong D11/2
D548,885 S * 8/2007 Cafri A61C 15/02
D28/65
D599,542 S * 9/2009 Hoffman D3/28
D617,985 S * 6/2010 Hoffman D3/28
D623,803 S * 9/2010 Corcoran D28/65

D654,683 S * 2/2012 Hoffman D3/28
D688,005 S * 8/2013 Marold D28/65
D714,495 S * 9/2014 Miyawaki A61C 15/02
D28/65
D721,851 S * 1/2015 Huang D28/65
D735,470 S * 8/2015 Rastogi D3/28
D775,765 S * 1/2017 Schmidt D28/65
D782,181 S * 3/2017 Rastogi D3/28

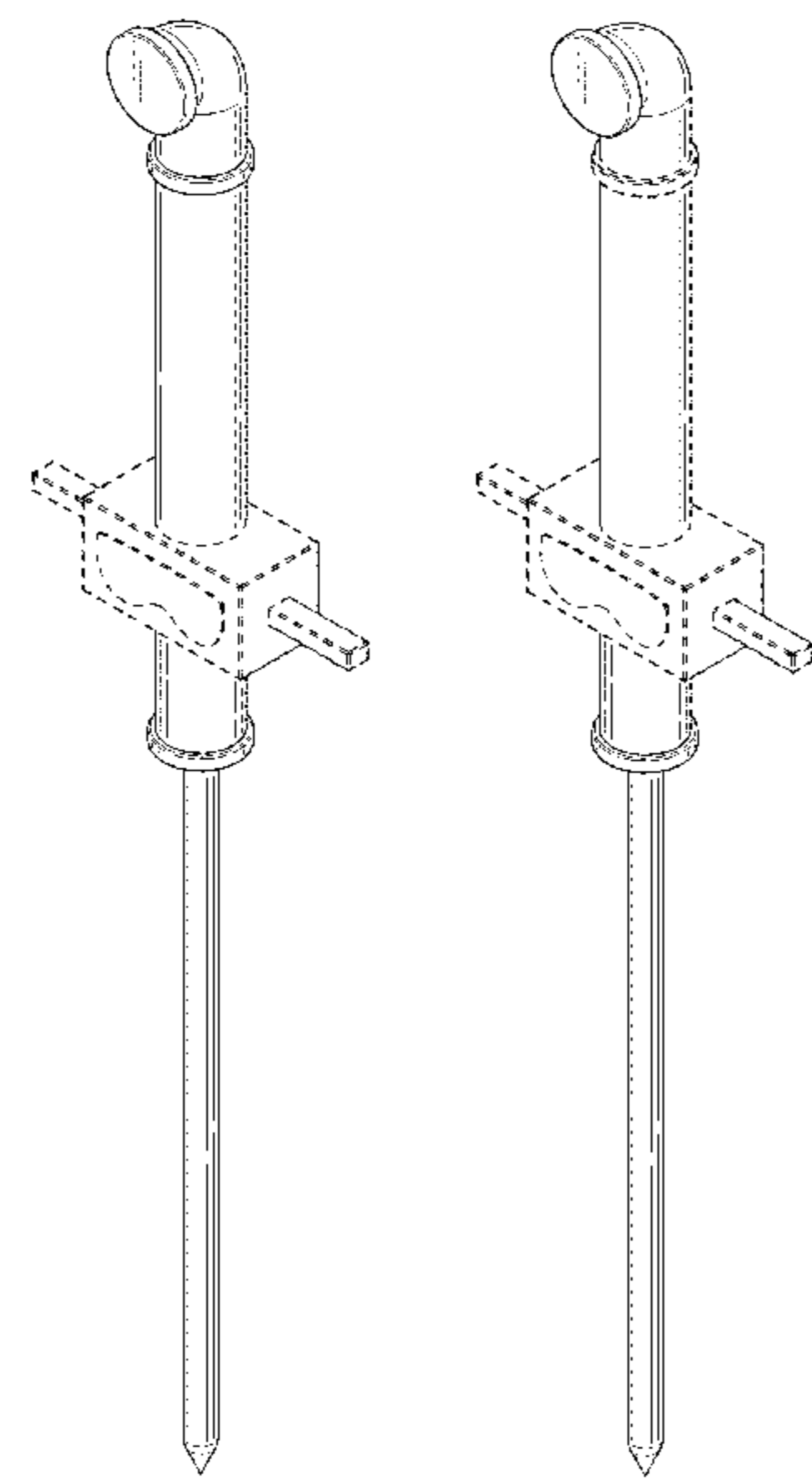
(Continued)

Primary Examiner — Barbara Fox
Assistant Examiner — Messina L Smith
(74) *Attorney, Agent, or Firm* — Myers Wolin, LLC

(57) **CLAIM**
The ornamental design for a toothpick, as shown and described.

DESCRIPTION
FIG. 1 is a front perspective view of a toothpick in a first embodiment, showing the new design;
FIG. 2 is a rear perspective view thereof;
FIG. 3 is a left side elevation view thereof;
FIG. 4 is a front elevation view thereof;
FIG. 5 is a right side elevation view thereof;
FIG. 6 is a rear elevation view thereof;
FIG. 7 is a top view thereof;
FIG. 8 is a bottom view thereof;
FIG. 9 is a front perspective view of a toothpick in a second embodiment;
FIG. 10 is a rear perspective view thereof;
FIG. 11 is a left side elevation view thereof;
FIG. 12 is a front elevation view thereof;
FIG. 13 is a right side elevation view thereof;
FIG. 14 is a rear elevation view thereof;
FIG. 15 is a top view thereof; and,
FIG. 16 is a bottom view thereof.
The broken lines in the drawings depict portions of the toothpick that form no part of the claimed design.

1 Claim, 6 Drawing Sheets



(56)

References Cited

U.S. PATENT DOCUMENTS

D812,305 S * 3/2018 Palmby D28/65
2011/0036574 A1* 2/2011 MacDonald E21B 31/20
166/301

* cited by examiner

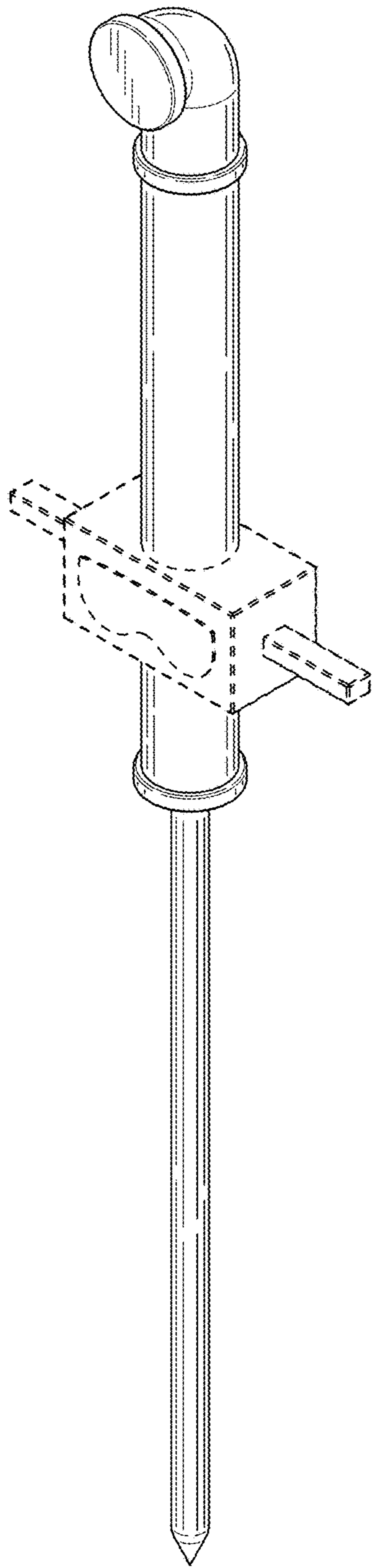


FIG. 1

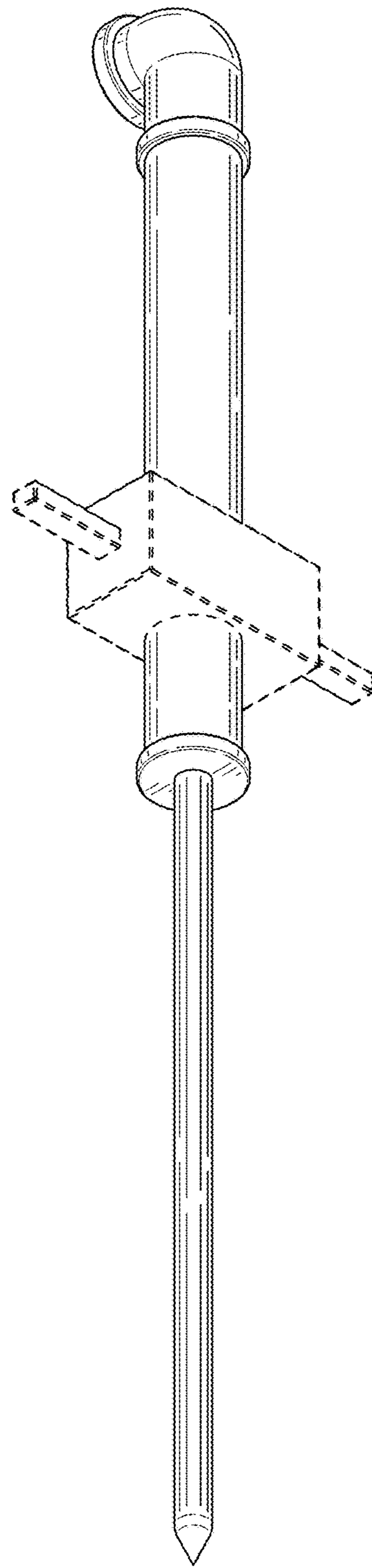


FIG. 2

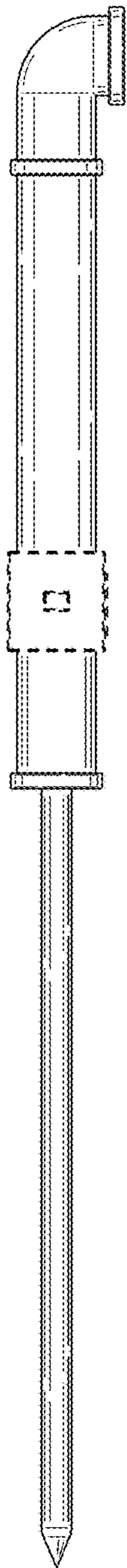


FIG. 3

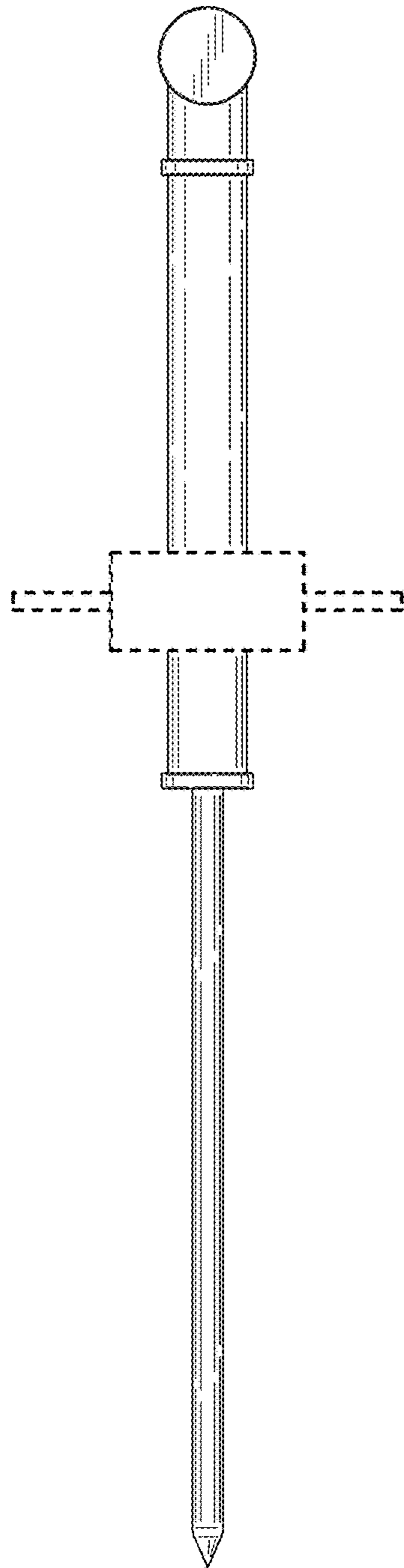


FIG. 4

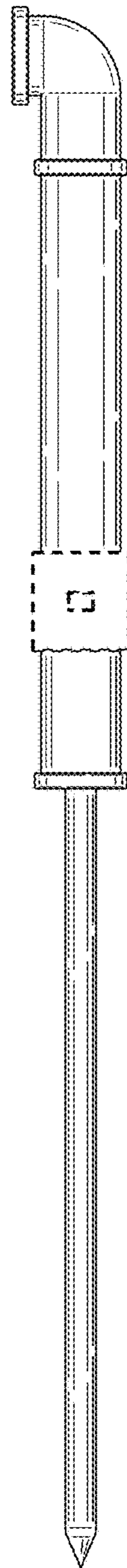


FIG. 5

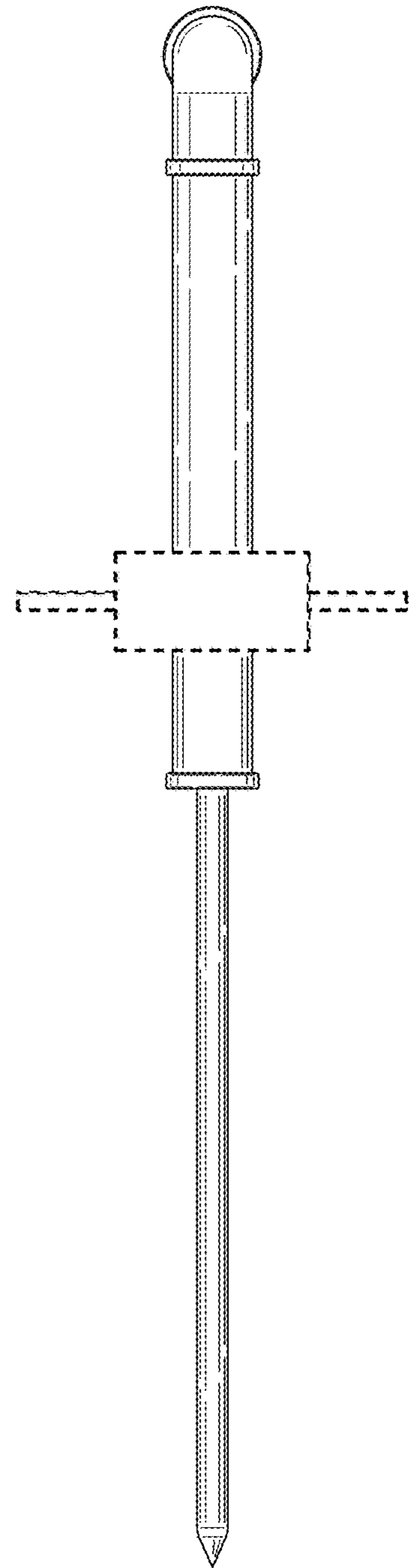


FIG. 6

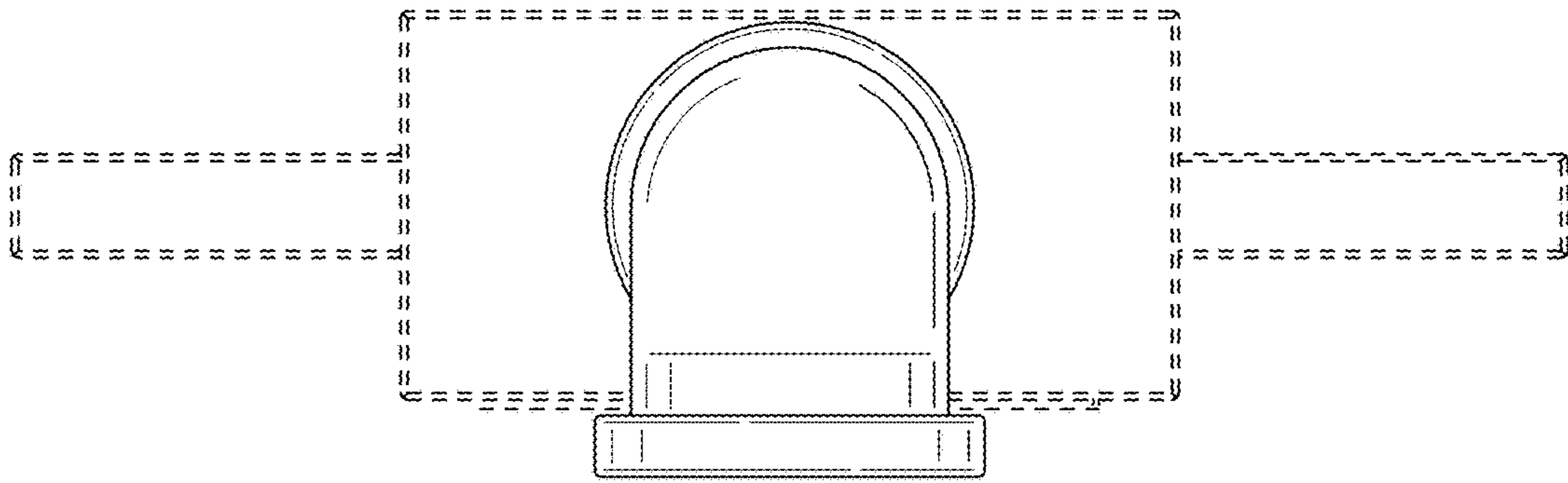


FIG. 7

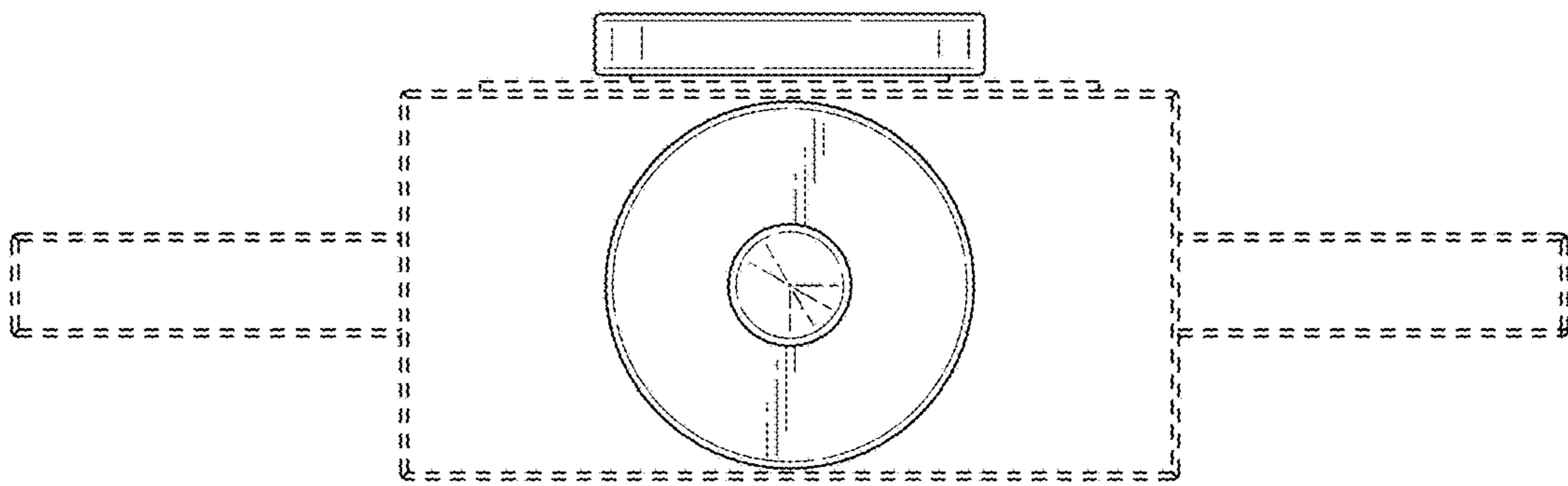


FIG. 8

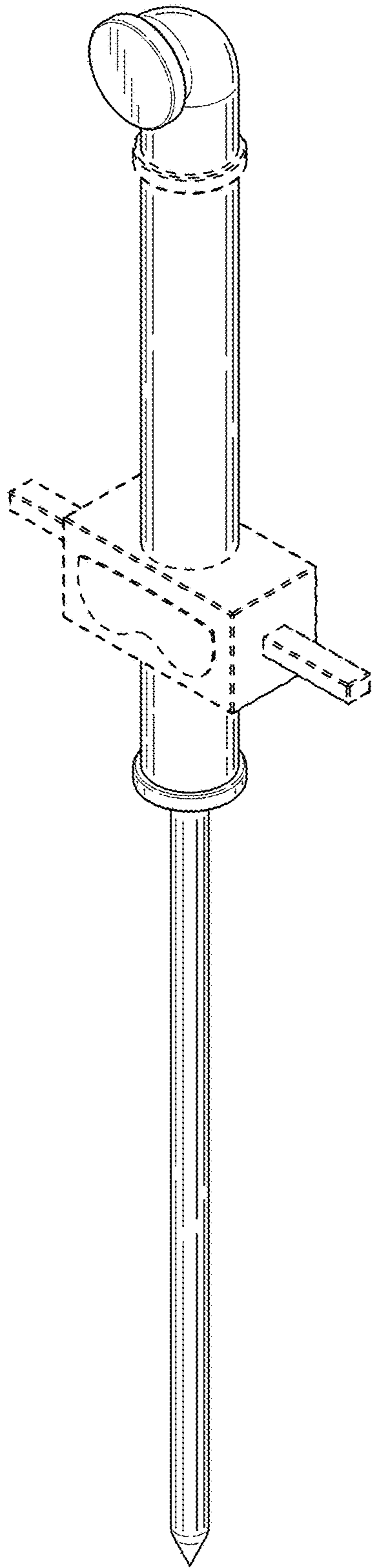


FIG. 9

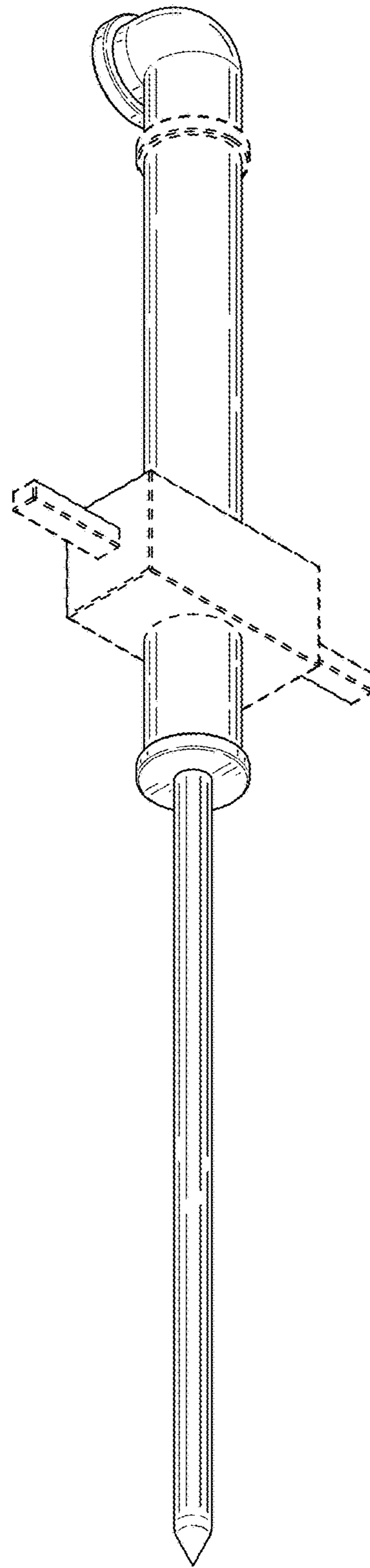


FIG. 10

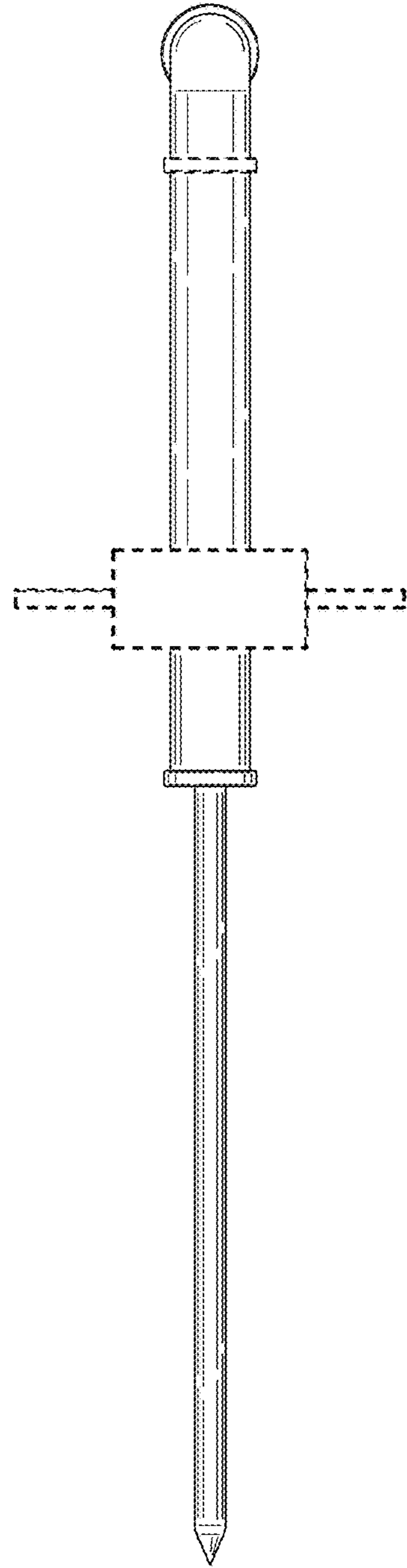
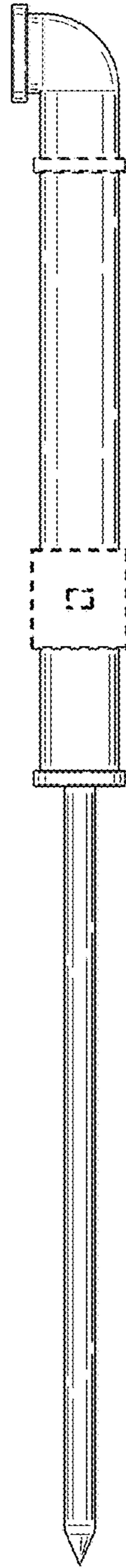
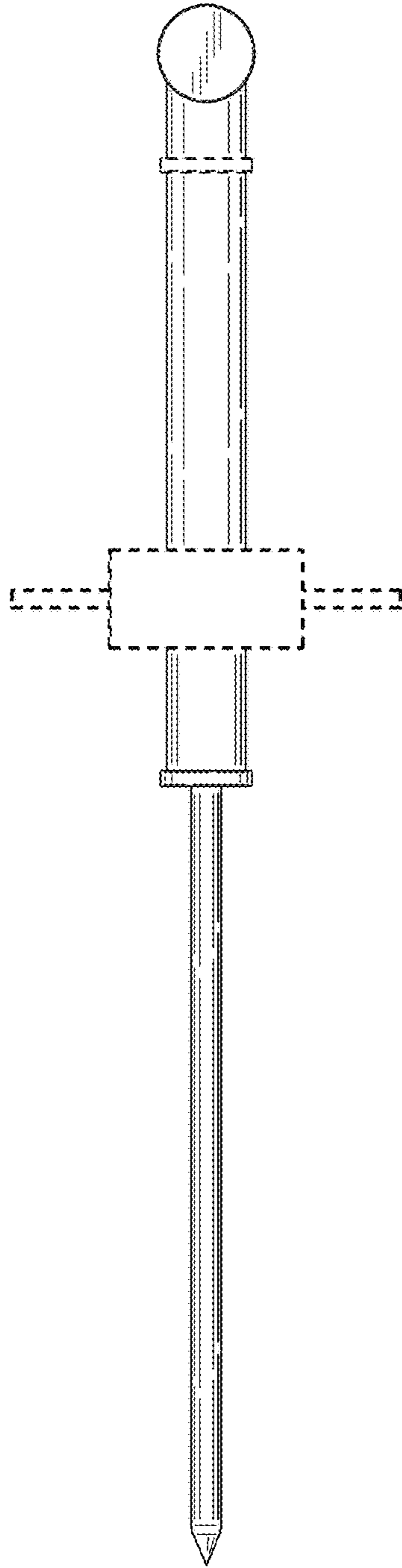
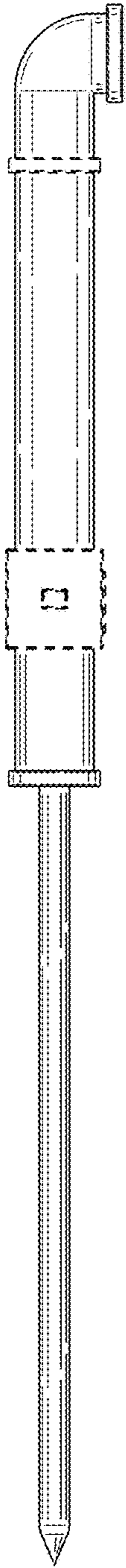


FIG. 11

FIG. 12

FIG. 13

FIG. 14

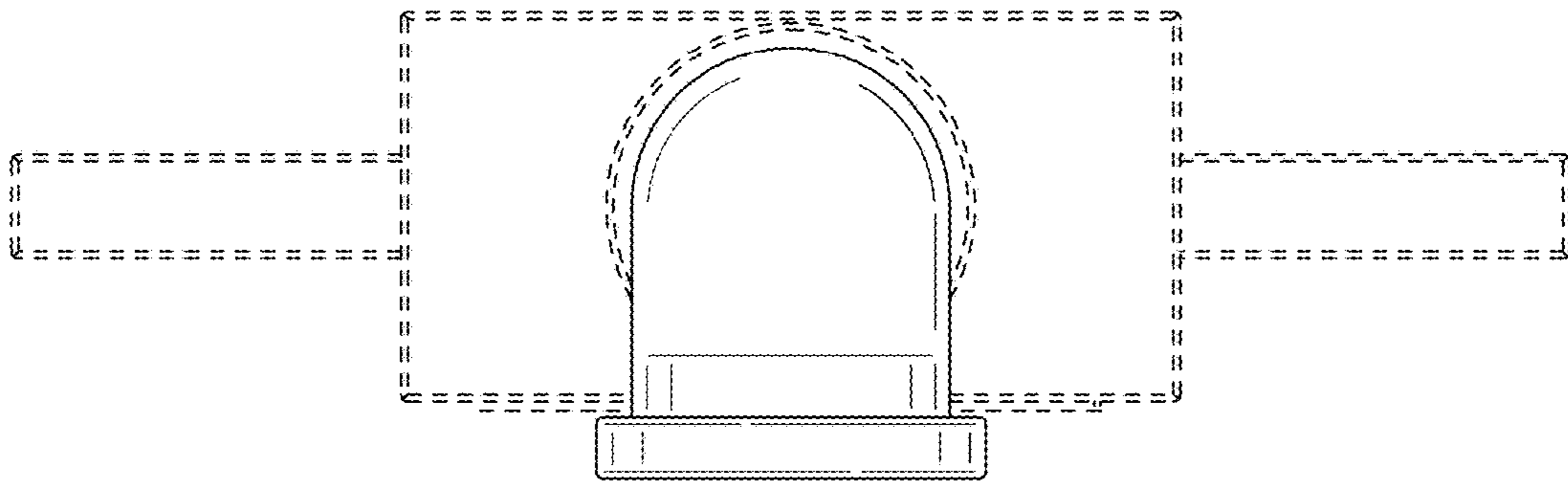


FIG. 15

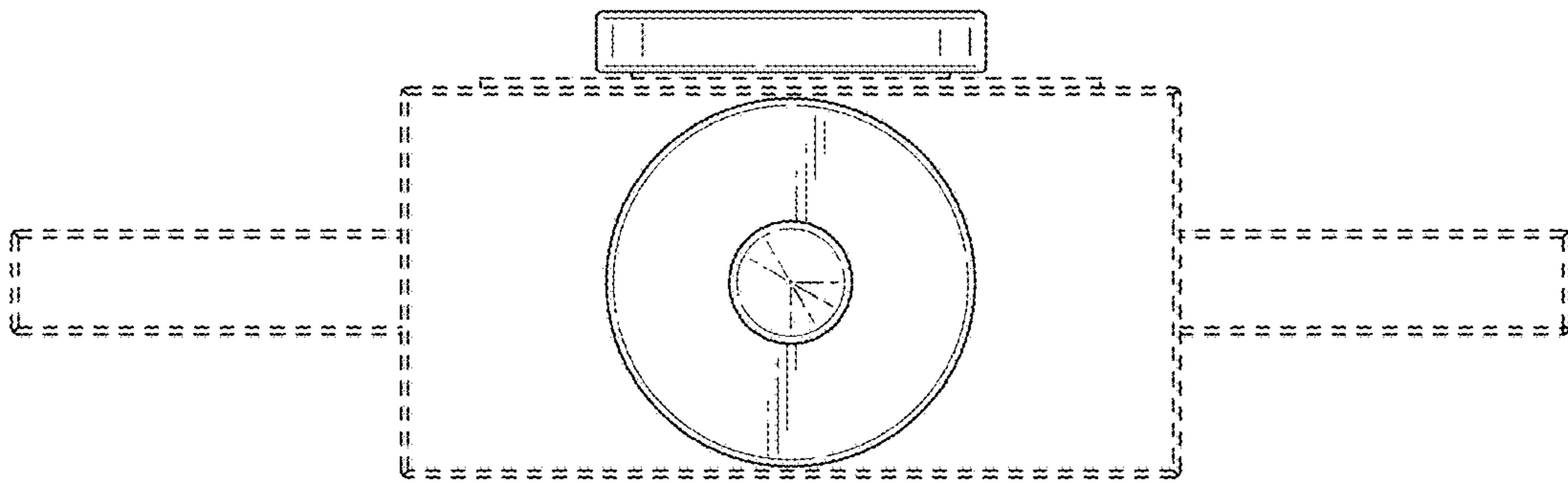


FIG. 16