



US00D855887S

(12) **United States Design Patent**  
**Fleming et al.**

(10) **Patent No.:** **US D855,887 S**

(45) **Date of Patent:** **\*\* Aug. 6, 2019**

- (54) **HAIR CLIPPER HOUSING LID**
- (71) Applicant: **WAHL CLIPPER CORPORATION**,  
Sterling, IL (US)
- (72) Inventors: **Jeff Fleming**, Dixon, IL (US); **Chad Aulwes**, Sterling, IL (US); **George Gassman**, Dunlap, IL (US); **Gary Erickson**, Lena, IL (US)
- (73) Assignee: **WAHL CLIPPER CORPORATION**,  
Sterling, IL (US)
- (\*\*) Term: **15 Years**
- (21) Appl. No.: **29/630,105**
- (22) Filed: **Dec. 19, 2017**
- (51) **LOC (12) Cl.** ..... **28-03**
- (52) **U.S. Cl.**  
USPC ..... **D28/54**
- (58) **Field of Classification Search**  
USPC ..... D28/49-54  
CPC ..... B26B 19/00-08; B26B 19/10-107; B26B 19/20-205; B26B 19/38-3833; B26B 19/3853-3866; B26B 19/3886  
See application file for complete search history.

(56) **References Cited**

U.S. PATENT DOCUMENTS

D339,213 S *	9/1993	Wahl	.....	D28/54
D435,936 S	1/2001	Long et al.		
D454,980 S	3/2002	Long et al.		
D497,452 S *	10/2004	Nielsen	.....	D28/53
D500,392 S *	12/2004	Buck, Jr.	.....	D28/54
D513,344 S	12/2005	Choi		
D534,689 S *	1/2007	Gross	.....	D28/53
D555,286 S	11/2007	Long		
D555,287 S	11/2007	Long et al.		
D556,380 S	11/2007	Long		
D573,756 S	7/2008	Nielsen et al.		

D577,865 S *	9/2008	Long	.....	D28/54
D597,253 S *	7/2009	Eddinger	.....	D28/54
D597,254 S *	7/2009	Eddinger	.....	D28/54
D654,223 S	2/2012	Aulwes et al.		
D674,556 S *	1/2013	Weinberg	.....	D28/53
D675,782 S	2/2013	Buck, Jr.		
D678,612 S	3/2013	Aulwes et al.		
D679,448 S *	4/2013	Erickson	.....	D28/54
D700,998 S *	3/2014	Aulwes	.....	D28/54
D700,999 S *	3/2014	Aulwes	.....	D28/54
D715,490 S *	10/2014	Aulwes	.....	D28/54
9,038,276 B2 *	5/2015	Arndt	.....	B26B 19/3866 30/208
D758,665 S *	6/2016	Skuhra	.....	D28/54
D790,132 S *	6/2017	Aulwes	.....	D28/54
D790,133 S *	6/2017	Aulwes	.....	D28/54

(Continued)

Primary Examiner — Jennifer Rivard

(74) *Attorney, Agent, or Firm* — Greer, Burns & Crain, Ltd.

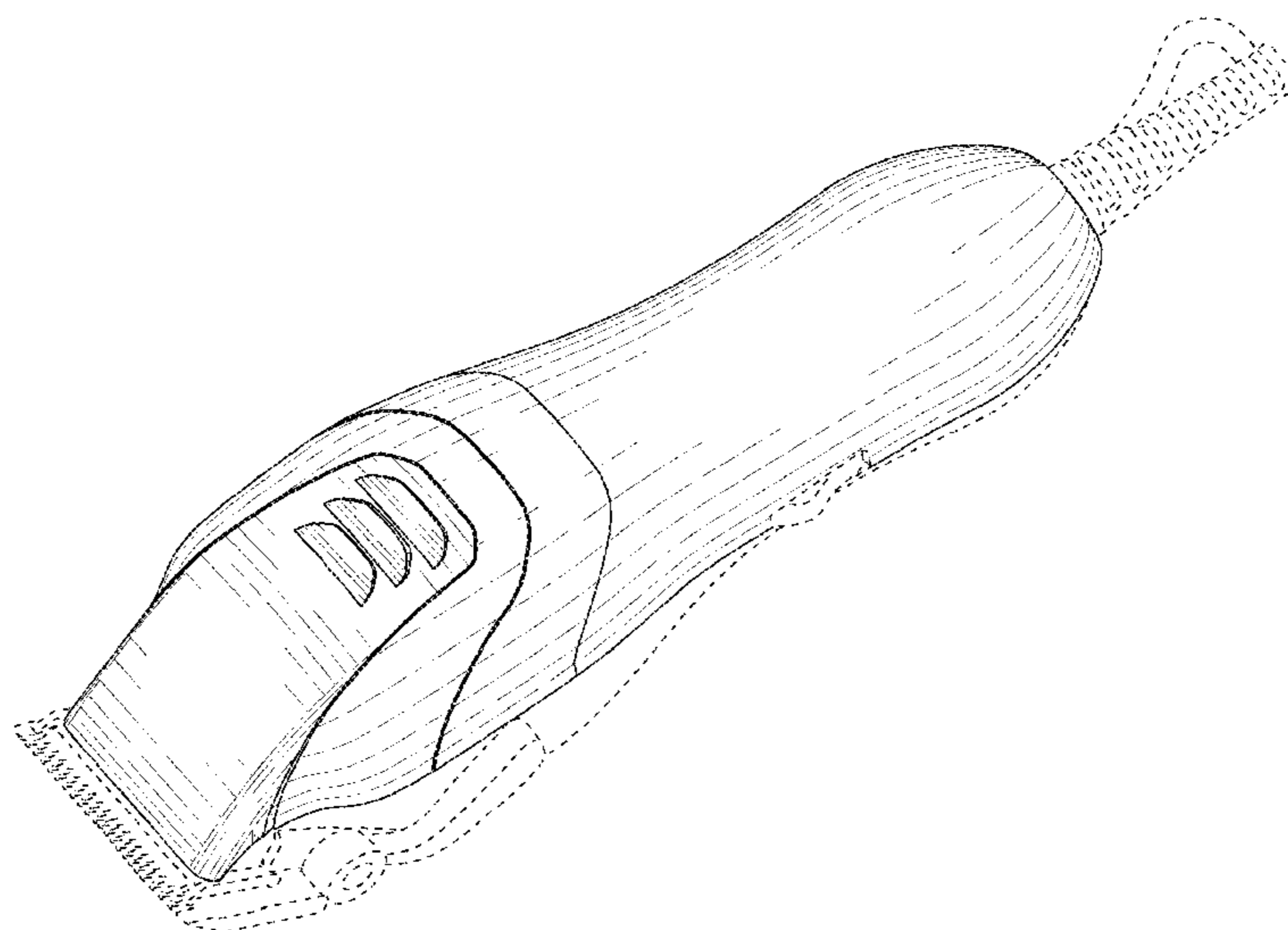
(57) **CLAIM**

The ornamental design for a hair clipper housing lid, as shown and described.

**DESCRIPTION**

FIG. 1 is a top perspective view of the present hair clipper housing lid;  
 FIG. 2 is a left side view of same;  
 FIG. 3 is a right side view of the hair clipper housing lid of FIG. 1;  
 FIG. 4 is a front view of same;  
 FIG. 5 is a rear view of the hair clipper housing lid of FIG. 1;  
 FIG. 6 is a top plan view of same; and,  
 FIG. 7 is a bottom plan view of the hair clipper housing lid of FIG. 1.  
 The subject matter depicted in broken lines is for environment purposes only and forms no part of the claimed invention.

**1 Claim, 4 Drawing Sheets**



(56)

**References Cited**

U.S. PATENT DOCUMENTS

D800,386 S	10/2017	Fleming et al.	
D800,389 S	10/2017	Fleming et al.	
D819,890 S *	6/2018	Gross .....	D28/54
2013/0200823 A1 *	8/2013	Chan .....	H02K 33/16
			318/3
2014/0338199 A1 *	11/2014	Erickson .....	B26B 19/06
			30/216

\* cited by examiner

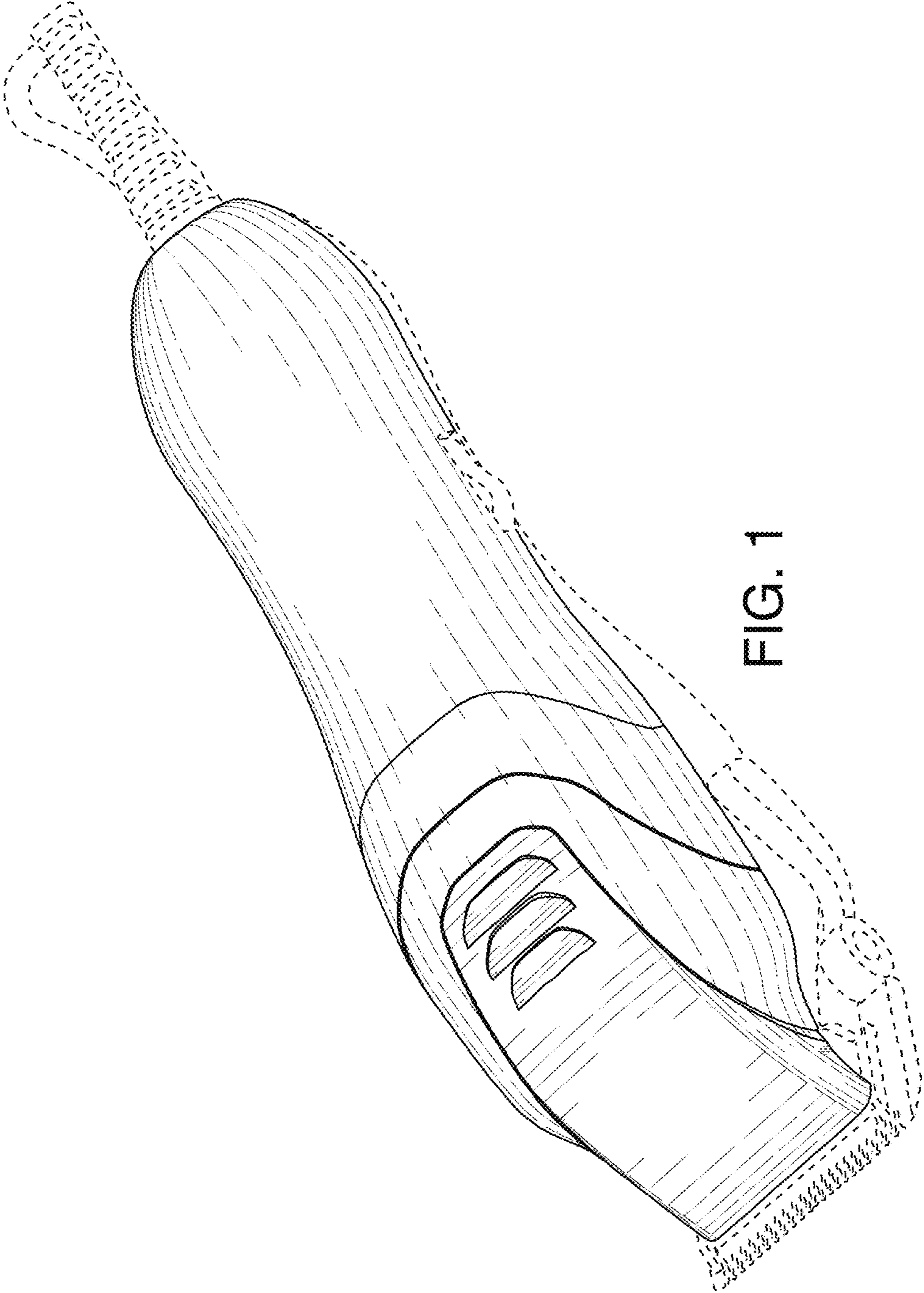


FIG. 1

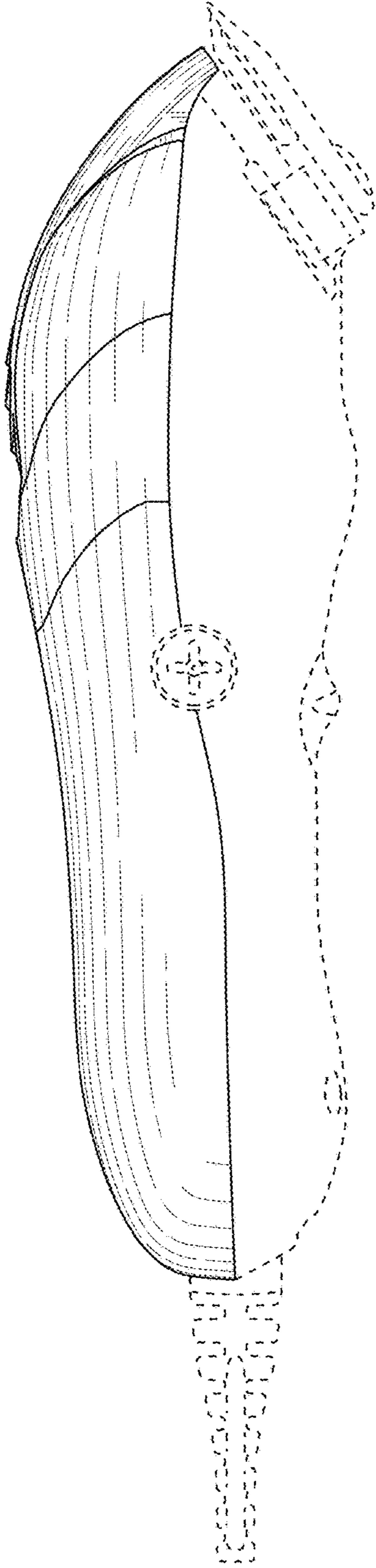


FIG. 2

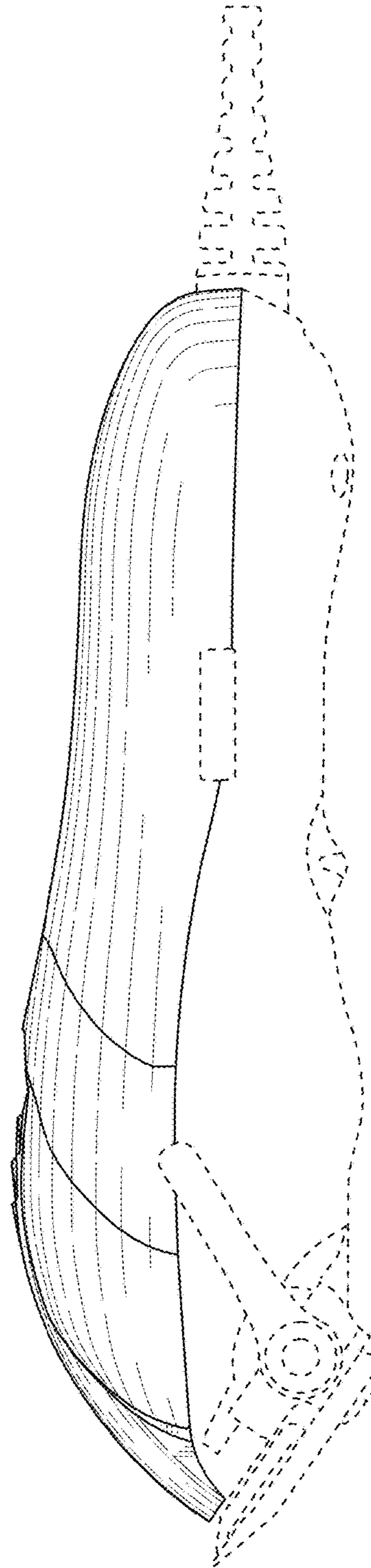


FIG. 3

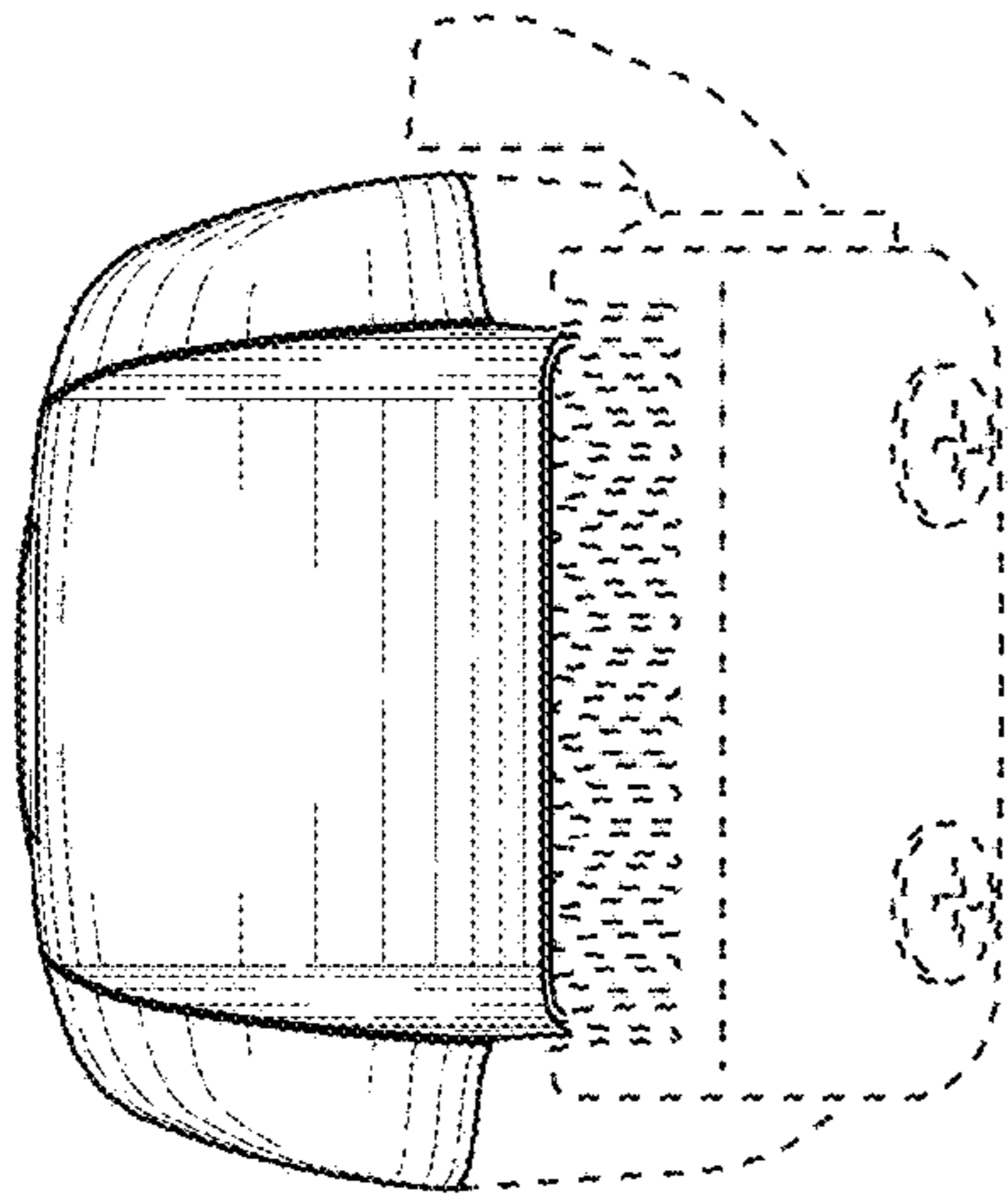


FIG. 4

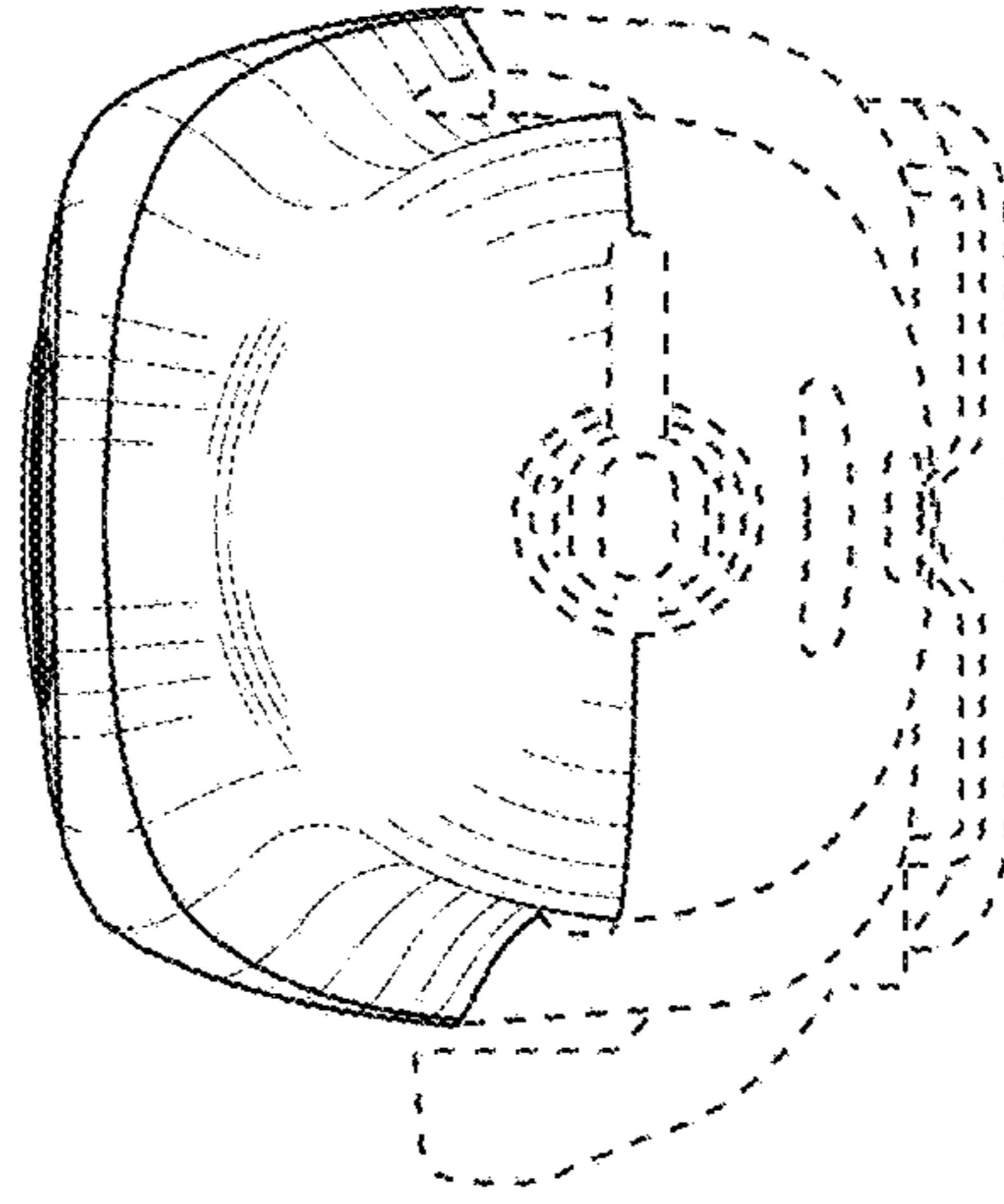


FIG. 5

