



US00D855886S

(12) **United States Design Patent** (10) **Patent No.:** **US D855,886 S**  
**Alam** (45) **Date of Patent:** **\*\* Aug. 6, 2019**

(54) **SHAVING RAZOR WITH BLADE, SHAVING GEL, AND GEL APPLICATOR ASSEMBLED AS A UNIT**

(71) Applicant: **Ryan R. Alam**, Houston, TX (US)

(72) Inventor: **Ryan R. Alam**, Houston, TX (US)

(\*\*) Term: **15 Years**

(21) Appl. No.: **29/634,465**

(22) Filed: **Jan. 22, 2018**

**Related U.S. Application Data**

(63) Continuation of application No. 14/828,783, filed on Aug. 18, 2015, now abandoned.

(51) **LOC (12) Cl.** ..... **28-03**

(52) **U.S. Cl.**  
USPC ..... **D28/46**

(58) **Field of Classification Search**  
USPC ..... D28/46-48  
CPC ..... B26B 21/08-32; B26B 21/4018; B26B 21/565; B26B 21/06; B26B 21/443; B26B 21/22; B26B 21/54-56; B26B 21/52-528; B26B 21/4068-4075; B26B 21/4043; B26B 21/40; B26B 21/4012-4031; B26B 21/446; B26B 21/14-227

See application file for complete search history.

(56) **References Cited**

**U.S. PATENT DOCUMENTS**

- 3,895,437 A \* 7/1975 DiBuono ..... B26B 21/44 15/244.2
- 4,074,428 A \* 2/1978 Roberts ..... B26B 21/446 30/41
- 4,129,942 A \* 12/1978 Denizman ..... B26B 21/446 30/41
- 4,800,649 A \* 1/1989 Cataudella ..... B26B 21/446 222/386
- 4,989,328 A \* 2/1991 Sokoloff ..... B26B 21/00 30/34.1

- D343,922 S \* 2/1994 Ahlgren ..... D28/46
  - 5,307,564 A \* 5/1994 Schoenberg ..... B26B 21/00 30/47
  - 5,911,480 A \* 6/1999 Morgan ..... B26B 21/523 30/125
  - 5,983,500 A \* 11/1999 da Silva ..... B26B 21/446 30/125
  - D423,143 S \* 4/2000 Cowell ..... D28/46
- (Continued)

**OTHER PUBLICATIONS**

Disposable razor with integrated shaving cream, 1 page, <https://www.bookofjoe.com/2009/05/this-all-in-one-disposable-6-blade-pivoting-head-razor-has-real-shaving-cream-inside-the-handle-for-up-to-a-week-or-more-of.html>.\*

*Primary Examiner* — Jennifer Rivard

(74) *Attorney, Agent, or Firm* — Richard A. Fagin

(57) **CLAIM**

I claim the ornamental design for a shaving razor with blade, shaving gel, and gel applicator assembled as a unit, as shown and described.

**DESCRIPTION**

FIG. 1 is a top plan view of the shaving razor with blade, shaving gel, and gel applicator assembled as a unit.

FIG. 2 is a front perspective view thereof.

FIG. 3 is a front elevation view thereof.

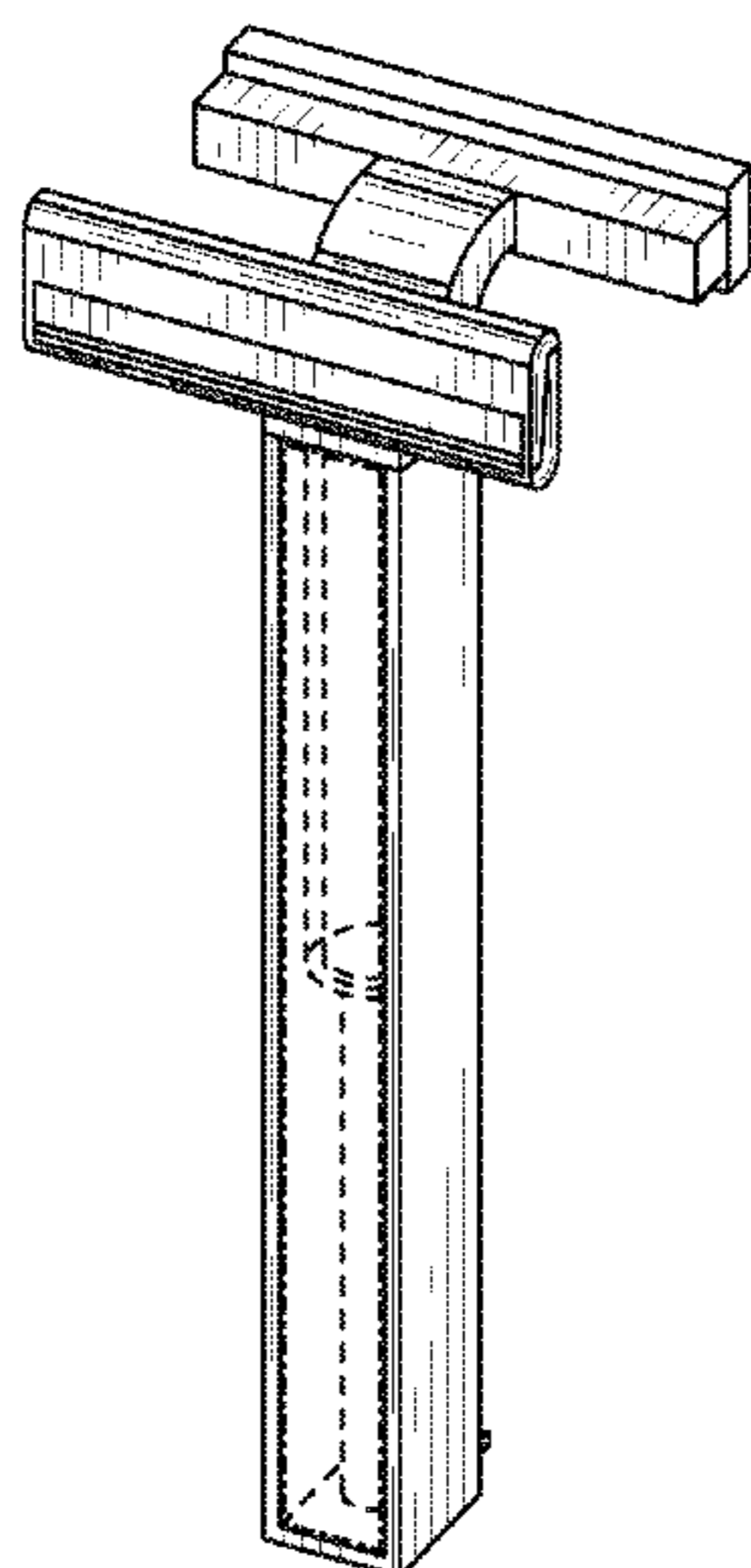
FIG. 4 is a rear perspective view thereof; and,

FIG. 5 is a right side view thereof, the left side view being a mirror image.

The evenly spaced broken lines illustrate portions of the shaving razor with blade, shaving gel, and gel applicator assembled as a unit and form no part of the claimed design.

The dash-dot-dash broken lines illustrate the boundary of the shaving razor with blade, shaving gel, and gel applicator assembled as a unit and form no part of the claimed design.

**1 Claim, 3 Drawing Sheets**



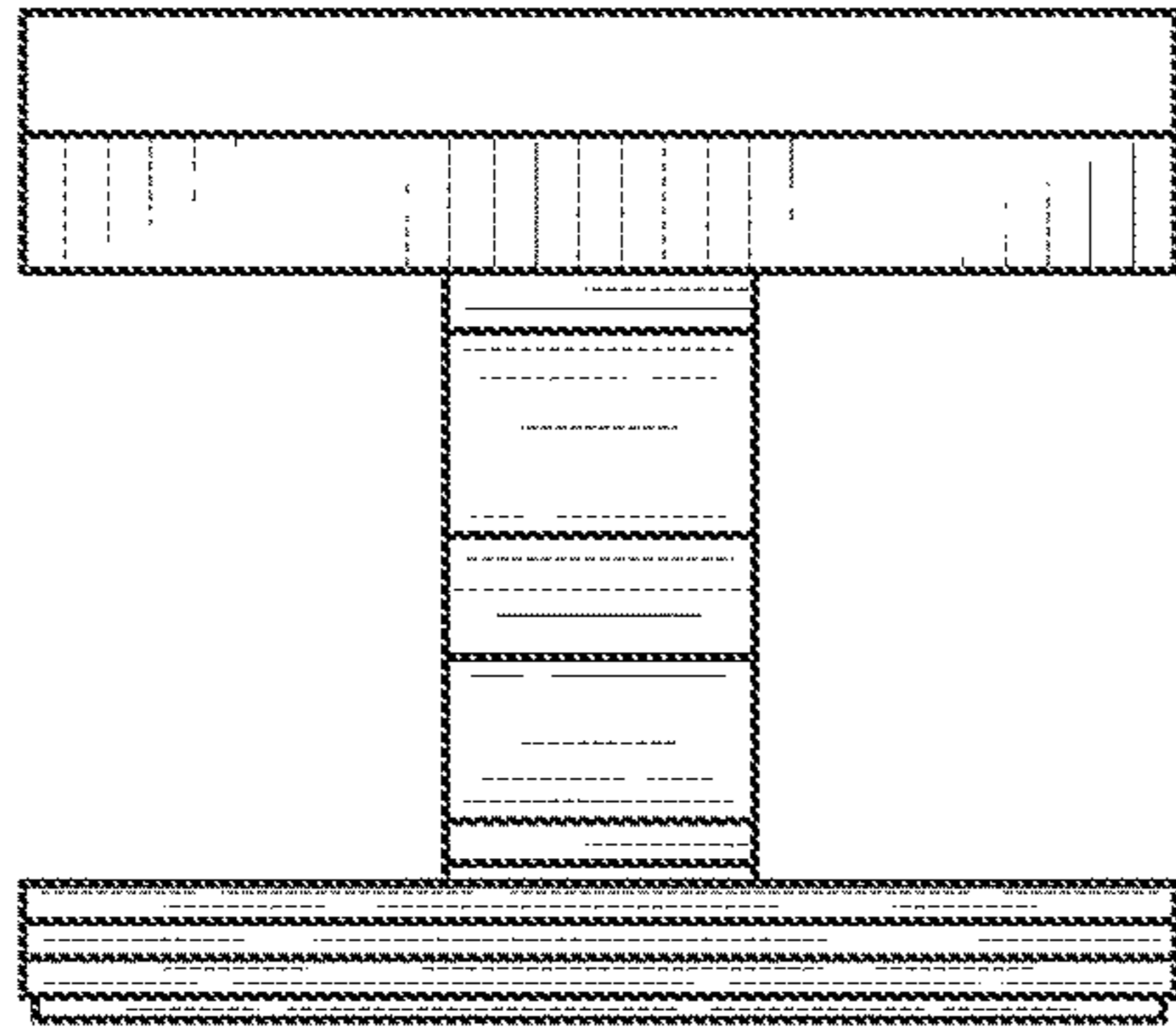
(56)

**References Cited**

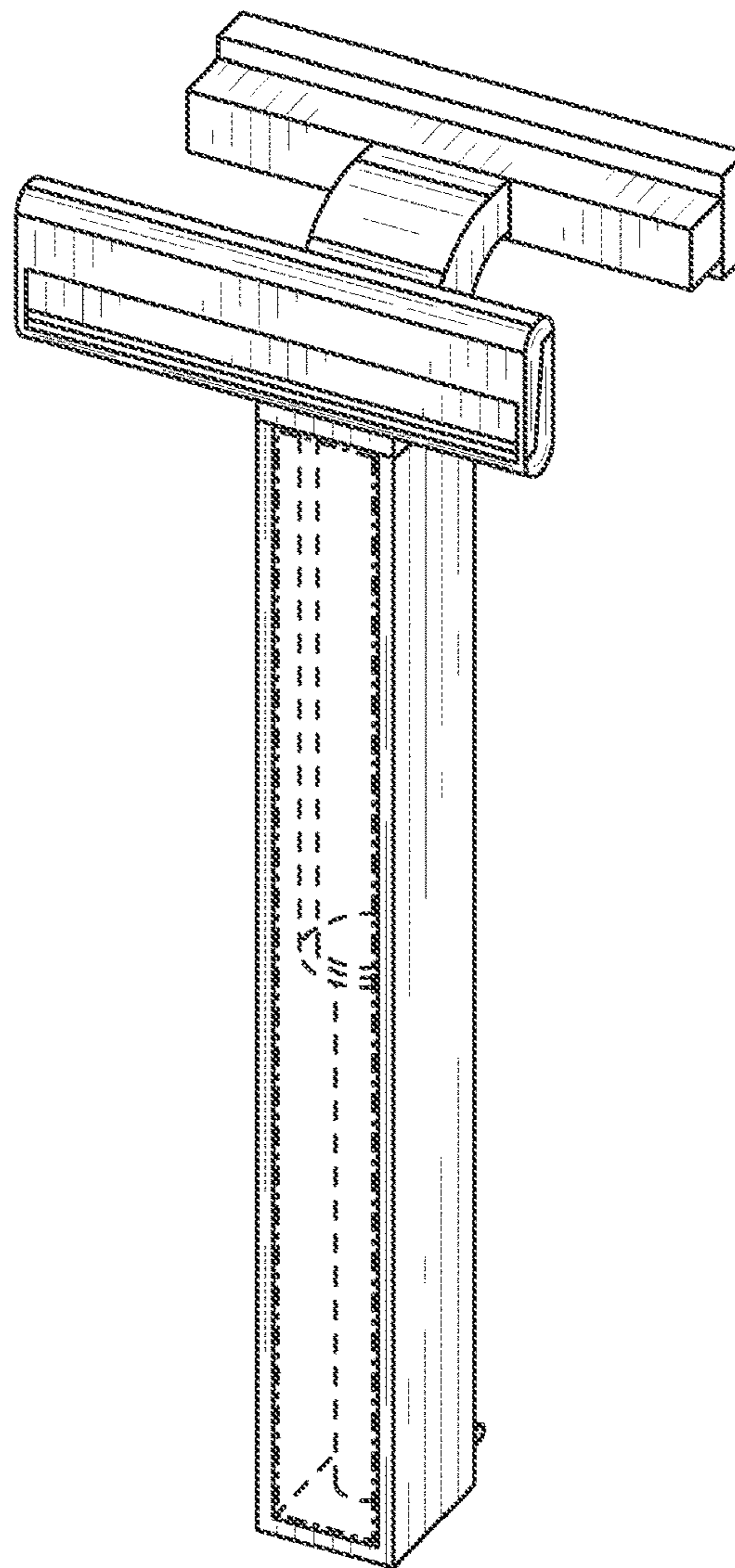
U.S. PATENT DOCUMENTS

6,052,905	A *	4/2000	Branchinelli .....	B26B 21/4006 30/34.1
7,121,754	B2 *	10/2006	Bressler .....	B26B 21/446 401/264
7,743,506	B2 *	6/2010	Szczepanowski ....	B26B 21/405 219/385
8,745,877	B2 *	6/2014	Szczepanowski ..	B26B 21/4018 30/41
2006/0272154	A1 *	12/2006	Brevard .....	B26B 21/446 30/41
2010/0107415	A1 *	5/2010	Kurzet .....	B26B 21/446 30/41
2011/0146080	A1 *	6/2011	Pauw .....	B26B 21/446 30/41.5
2012/0103151	A1 *	5/2012	Jones .....	A61K 8/02 83/22

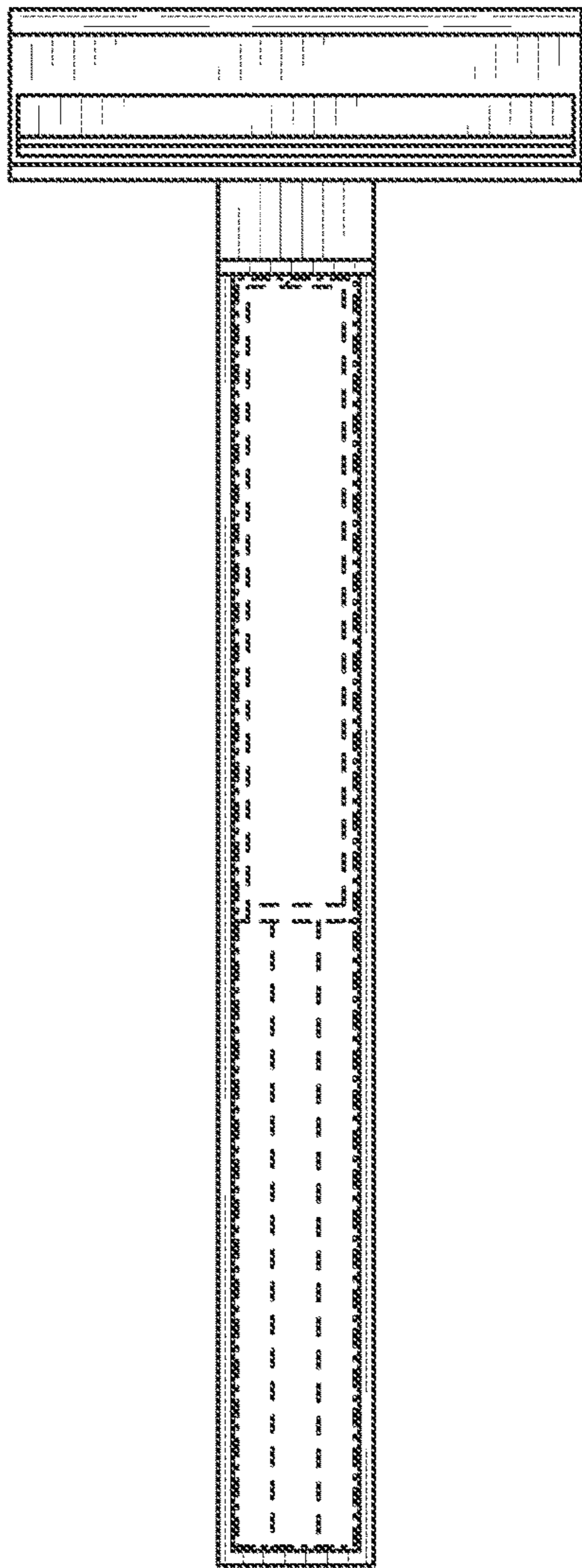
\* cited by examiner



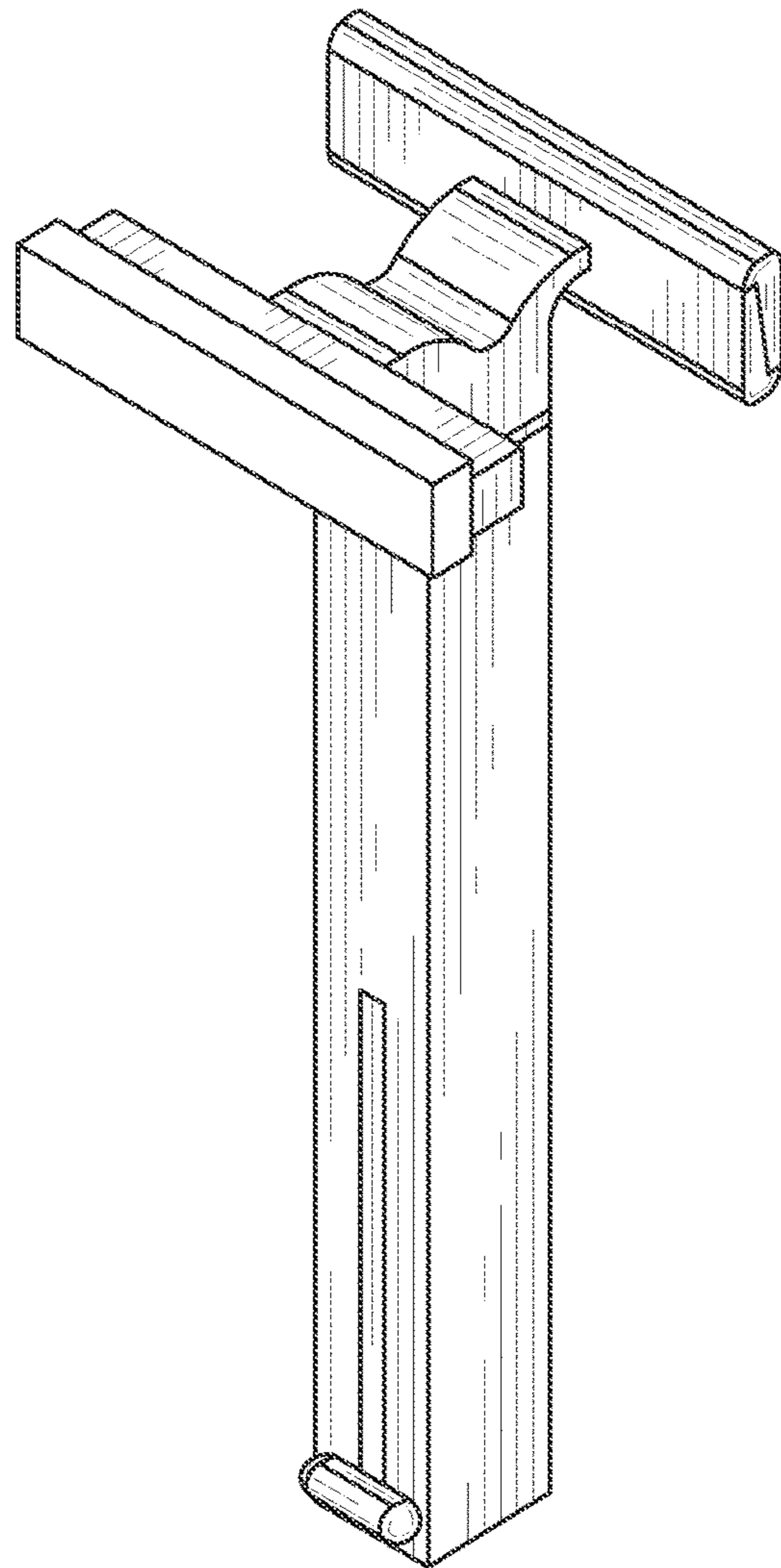
*FIG. 1*



*FIG. 2*

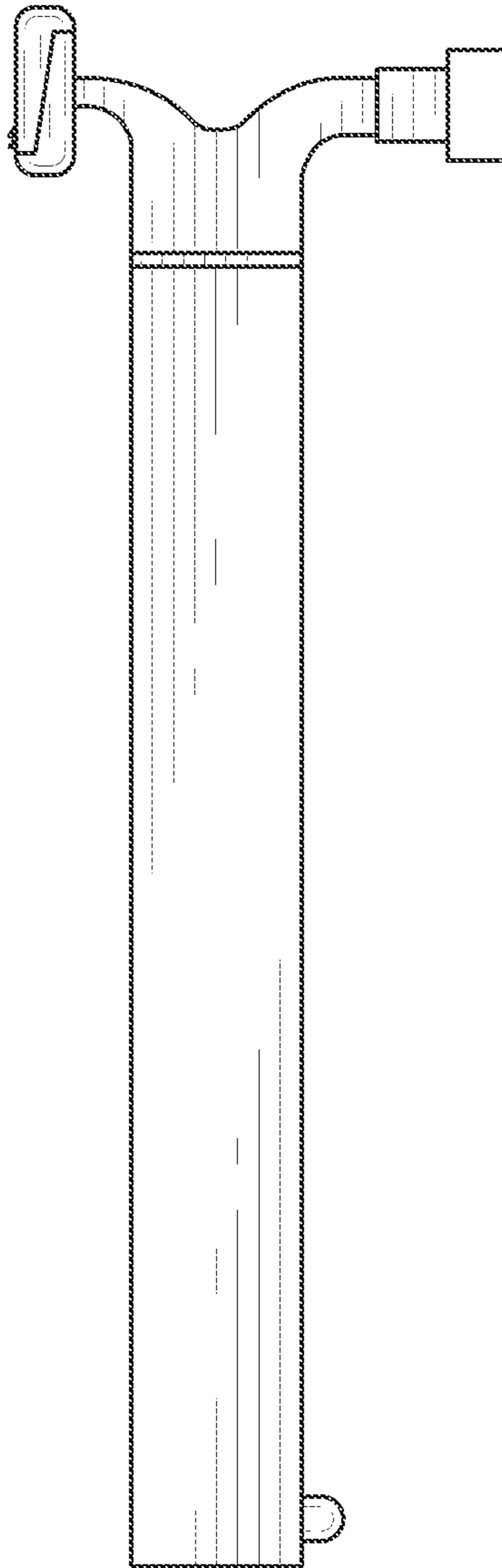


**FIG. 3**



**FIG. 4**





**FIG. 5**